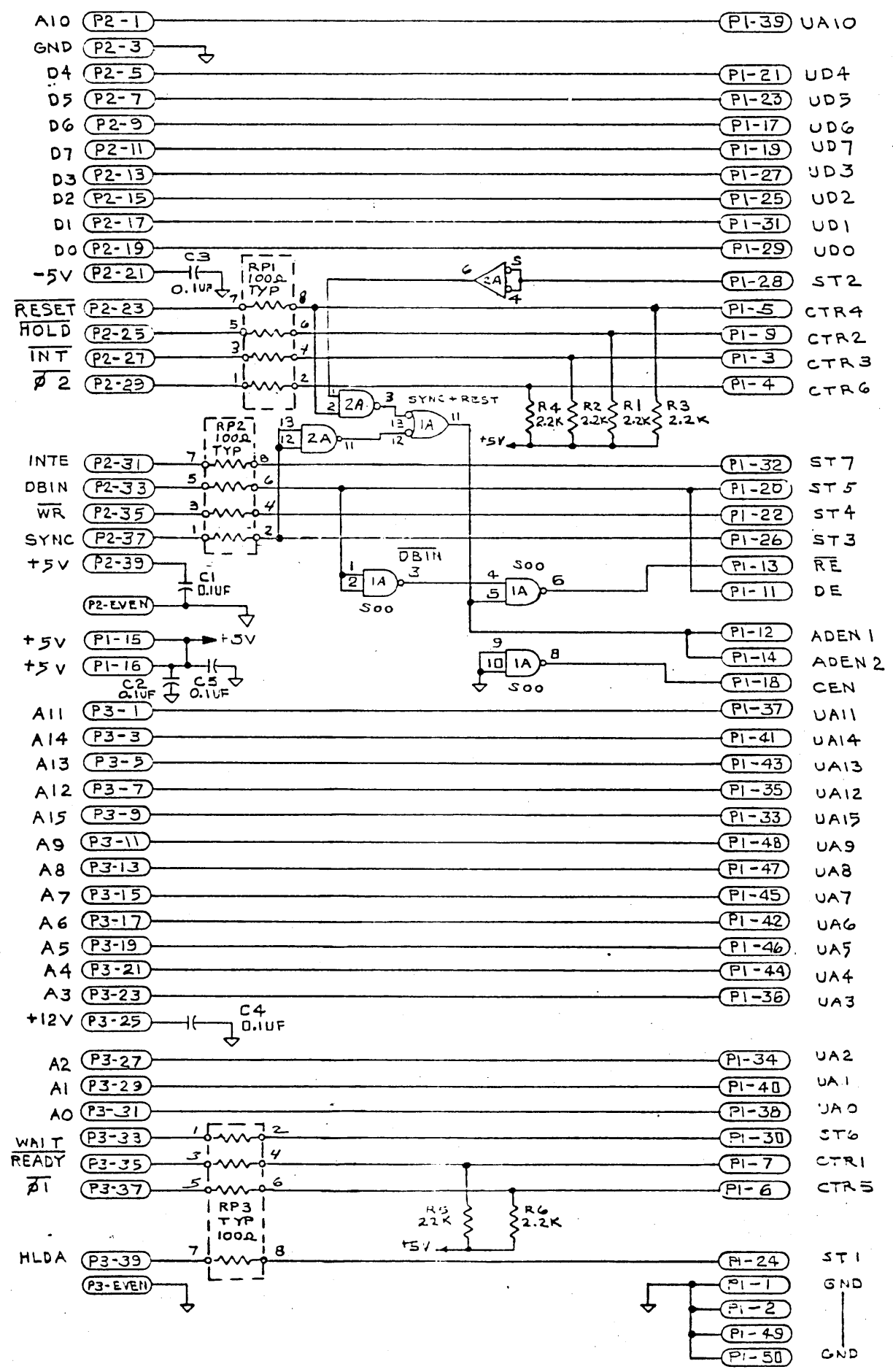


SYM	DESCRIPTION / PCO	SIGNATURE		
		CRFT	APPVD	DATE
50	RELEASE TO PROJ PC00074	AD		11/1/77
A1	REVISED PER DCO 000024	AD		11/1/77
B	REVISED PER DCO 000025	AD		11/1/77
C	DCO 000131	ADU		11/1/77
CI	DCO 0136	LAJ		11/1/77
D	DCO 217	RZ		11/1/77

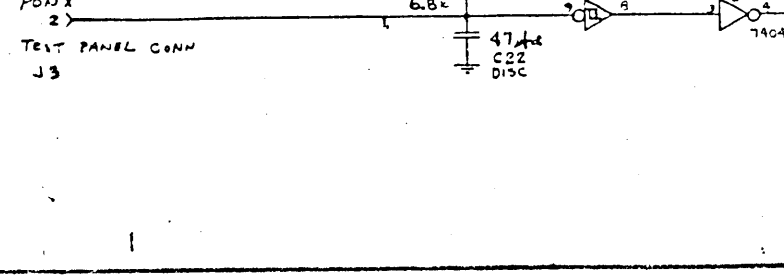
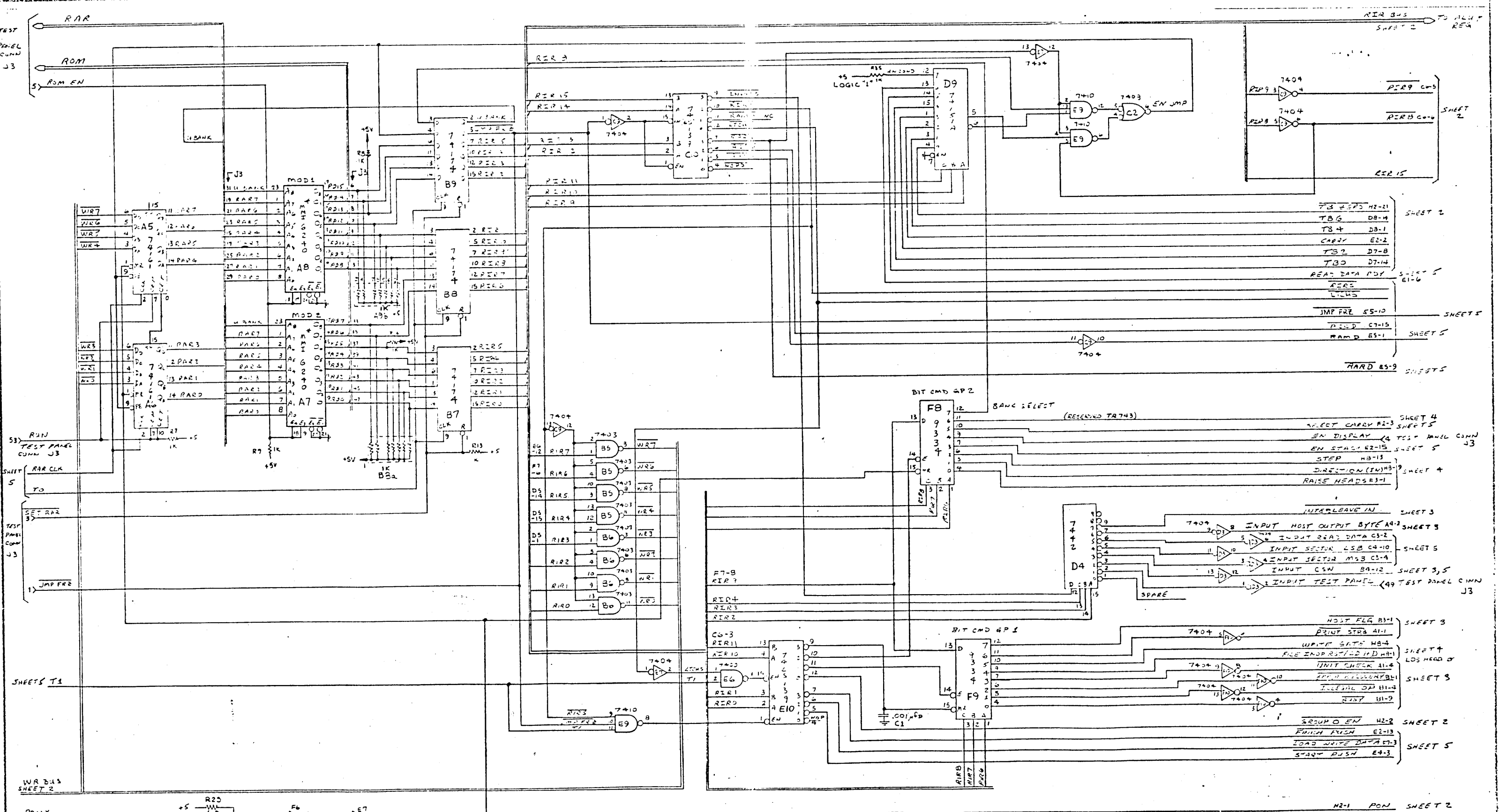


NOV 1 1977

**Millennium Information Systems, Inc.**  
 SANTA CLARA, CA 95050

NEXT ASSEMBLY		TITLE	
TITLE	SIGNATURE	DATE	8080 PERSONALITY SCHEMATIC
DRN BY			
CHECK			
ENG			
MFC			
SCALE	SIZE	DWG NO.	REV
	D	90012231	D





\* SIGNIFICS CONFIGURATION 8205

Vcc = 24  
Gnd = 12  
(Both chips)  
mm2, S16

A7 & A8	
6	AB
5	A7
4	A6
3	A5
2	A4
1	A3
12	A2
11	A1
10	A0
9	5
8	CE
7	12
6	11
5	10
4	9
3	8
2	7
1	6
15	5
14	4
13	3
12	2
11	1
10	0
9	15
8	14
7	13
6	12
5	11
4	10
3	9
2	8
1	7

ROM EN LOGIC '1'

NOV 1 1977

RC1	SEE ECO # 1016	DATE	7/77
E	ELO # 1010	DATE	11/77
DI	DCO 0136	DATE	11/77
D	PCO 0077	DATE	11/77
C	PCO.0032, ADDED C31, SHT 5.	DATE	11/77
SYM	DESCR PTN/PCO	DATE	11/77

Millennium Information Systems, Inc.  
SANTA CLARA, CA 95050

TITLE (MEM & RIR DECODE)  
FDC CONTROLLER SCHEMATIC

REV	DATE	BY
1	11/77	...
2	11/77	...
3	11/77	...
4	11/77	...
5	11/77	...

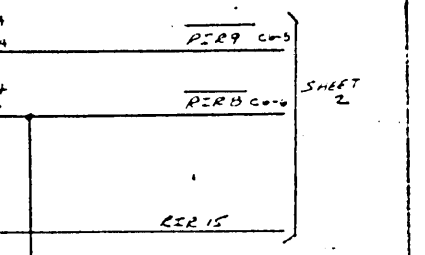
SIZE D DNG NO. 9002152- REV E

N2-1 PON SHEET 2

DO NOT SCALE DRAWING

- SELECT CARRY R2-3 SHEET 4
- EN DISPLAY (4 TEST PANEL CONN) J3 SHEET 5
- EN STACK E2-15 SHEET 5
- STEP M3-13 SHEET 4
- DIRECTION (IN) M3-9 SHEET 4
- RAISE HEADS B-1
- INTERLEAVE IN SHEET 3
- INPUT HOST OUTPUT BYTE A9-2 SHEET 3
- INPUT READ DATA C3-2 SHEET 3
- INPUT SECTOR LSB C4-10 SHEET 3
- INPUT SECTOR MSB C3-4 SHEET 3
- INPUT CSW BA-12 SHEET 3, 5
- INPUT TEST PANEL (49 TEST PANEL CONN) J3 SHEET 3, 5
- SPARE
- HOST FLG B3-1 SHEET 3
- PRINT STRB A1-1 SHEET 3
- WRITE SATE M8-4 SHEET 4
- FILE INDRS/12 ID M3-1 SHEET 4
- UNIT CHECK A1-4 SHEET 3
- INTERLEAVE IN B1-4 SHEET 3
- JUST B1-9 SHEET 3
- GROUP 0 EN H2-2 SHEET 2
- FINISH PUNCH E2-13 SHEET 2
- LOAD WRITE DATA M3-3 SHEET 5
- S-100 PUSH E4-3 SHEET 5

- FB # 255 H2-21 SHEET 2
- TB 6 D8-1 SHEET 2
- TB 4 D8-1 SHEET 2
- CARRY E2-2 SHEET 2
- TB 2 D7-8 SHEET 2
- TB 0 D7-14 SHEET 2
- READ DATA PDY SHEET 5
- EN J3 E1-6 SHEET 5
- JMP FRE E5-10 SHEET 5
- TRIP C7-15 SHEET 5
- RAMP E5-1 SHEET 5
- HARD E5-9 SHEET 5

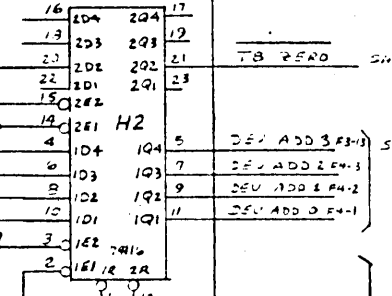
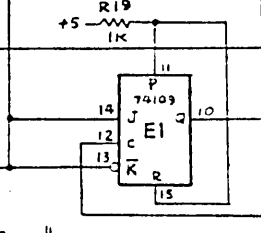
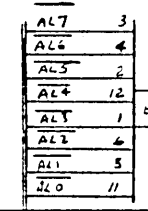
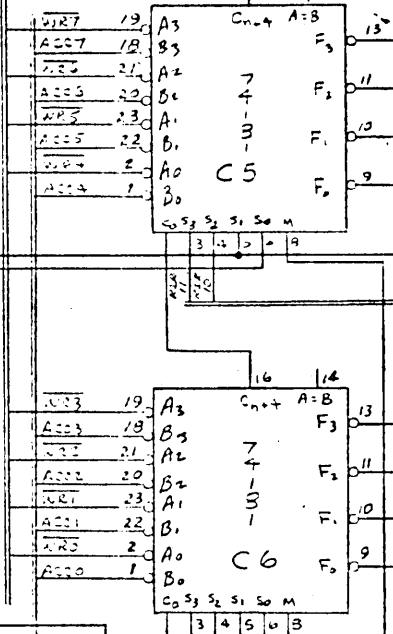
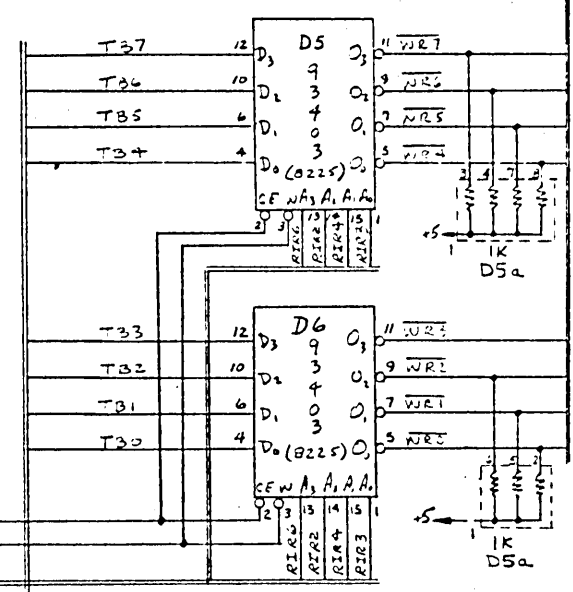
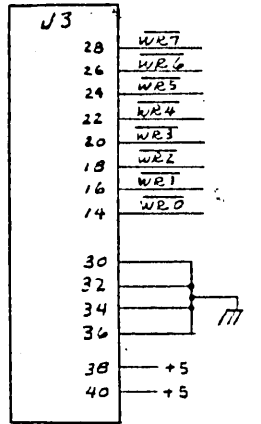


RIR BUS TO ALL SHEETS

SHEET 1,3,5

WR BUS

TEST PANEL CONN.



SHEET 1 RIR 15  
SHEET 5 FROM WRITR E5-6

SHEET 1 RIR 4  
RIR B

SHEET 5 RIR CLK  
(E6-6)

SHEET 2 FEED

SHEET 5 LTRH EN E4-10  
LTRH EN E4-11

SHEET 1 RIR 3  
RIR 0N

GROUP 0 EN

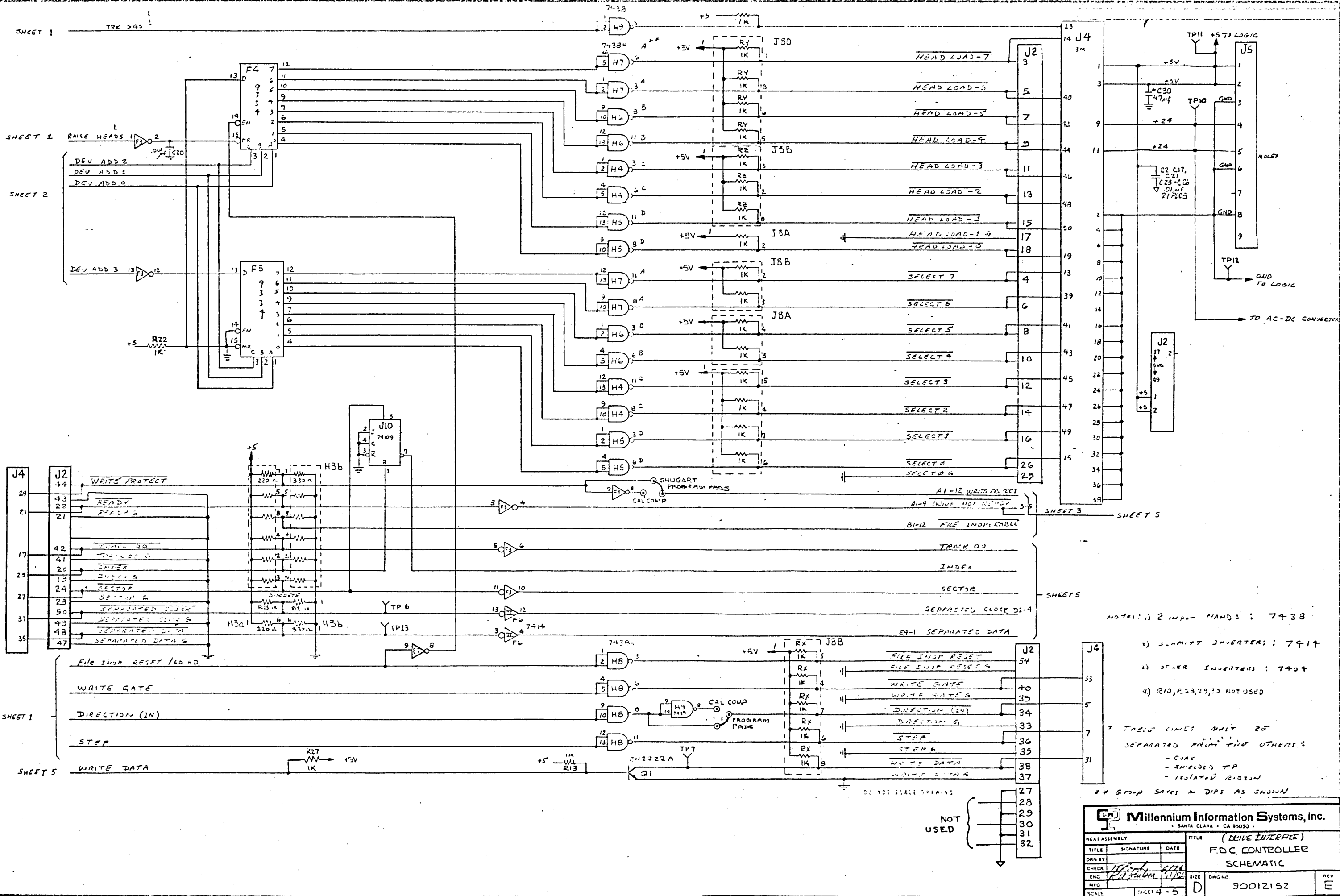
ACC BUS SHEET 3

ACC BUS TEST PANEL J3

**Millennium Information Systems, Inc.**  
SANTA CLARA • CA 95050

NEXT ASSEMBLY		TITLE (KALU)	
TITLE	SIGNATURE	DATE	FDC CONTROLLER SCHEMATIC
CHK BY	<i>[Signature]</i>	6/28	
CHK	<i>[Signature]</i>	6/28	
ENG	<i>[Signature]</i>		
MFG			
SCALE	SHEET 2 of 5	SIZE D	DWG NO. 90012152- E

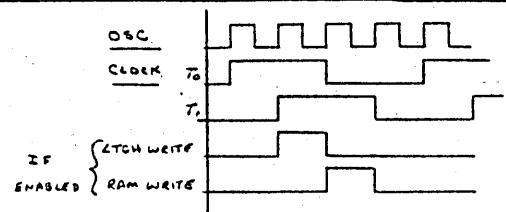
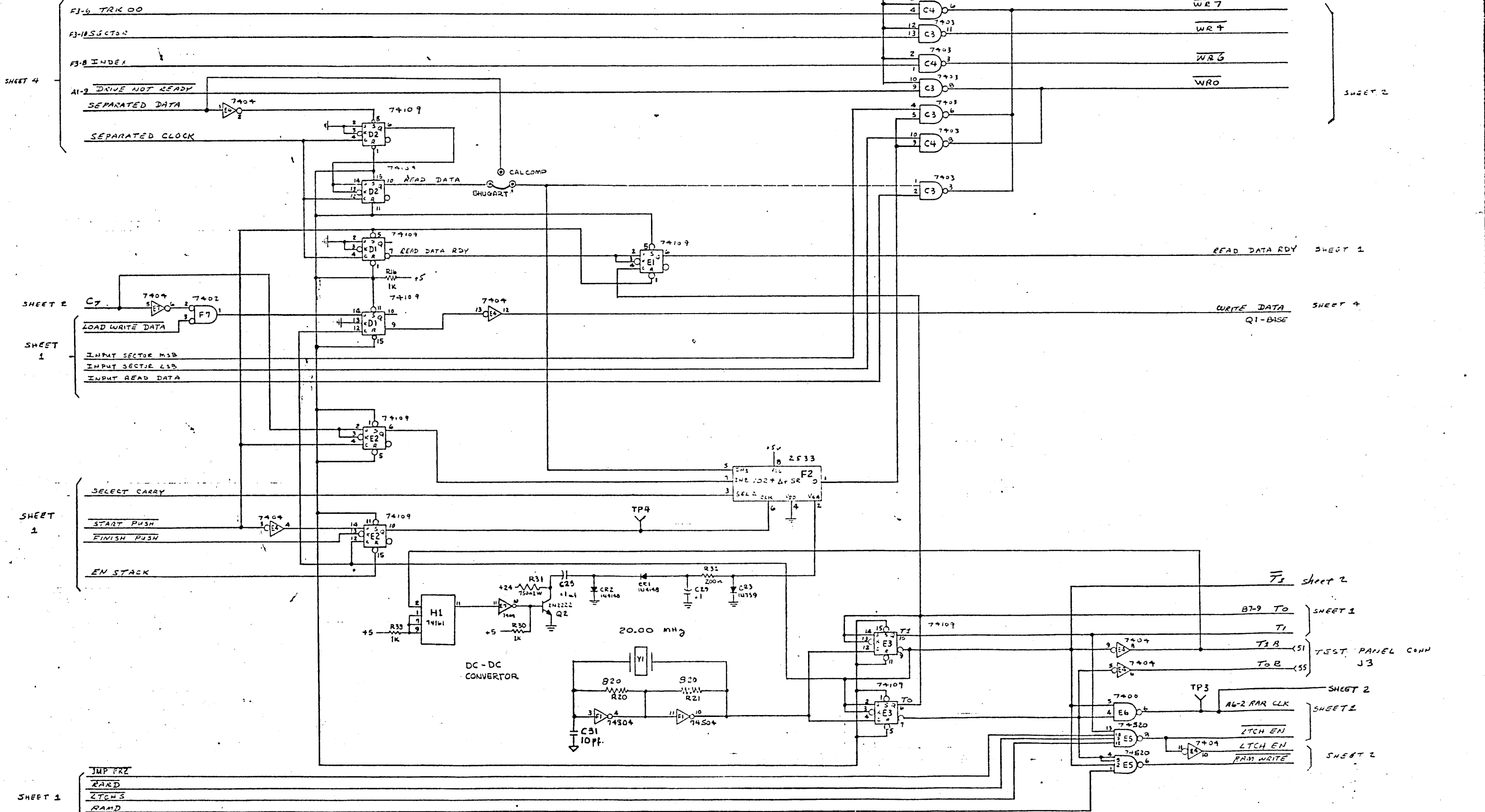




- NOTES:
- 2 INPUT HANDS : 7438
  - SCHMITT INVERTERS : 7414
  - OTHER INVERTERS : 7404
  - R10, R23, 29, 30 NOT USED
- \* THESE LINES MUST BE SEPARATED FROM THE OTHERS
- COAX
  - SHIELDED TP
  - ISOLATED RIBBON
- \* GROUP STATES IN DIPS AS SHOWN

**Millennium Information Systems, Inc.**  
SANTA CLARA • CA 95050

NEXT ASSEMBLY		TITLE (LEIVE INTERFEE)	
TITLE	SIGNATURE	DATE	F.D.C. CONTROLLER SCHEMATIC
DRN BY			
CHECK			
ENG			
MFG			
SCALE	SHEET 4 + 5	SIZE D	DWG NO. 90012152
			REV E



**Millennium Information Systems, Inc.**  
 SANTA CLARA • CA 95050

TITLE: SECTOR STORAGE & RAM DATA INTERFACE  
 FDC CONTROLLER SCHEMATIC

REV	ASSEMBLY	SIGNATURE	DATE
DRAWN BY			
ENG			
MFG			
SCALE	SHEET 5 of 5	DWG NO.	90012152

SIZE: D