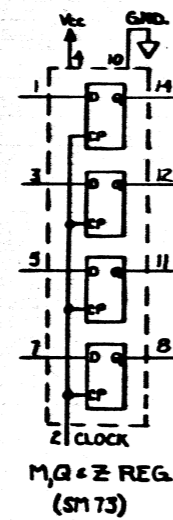
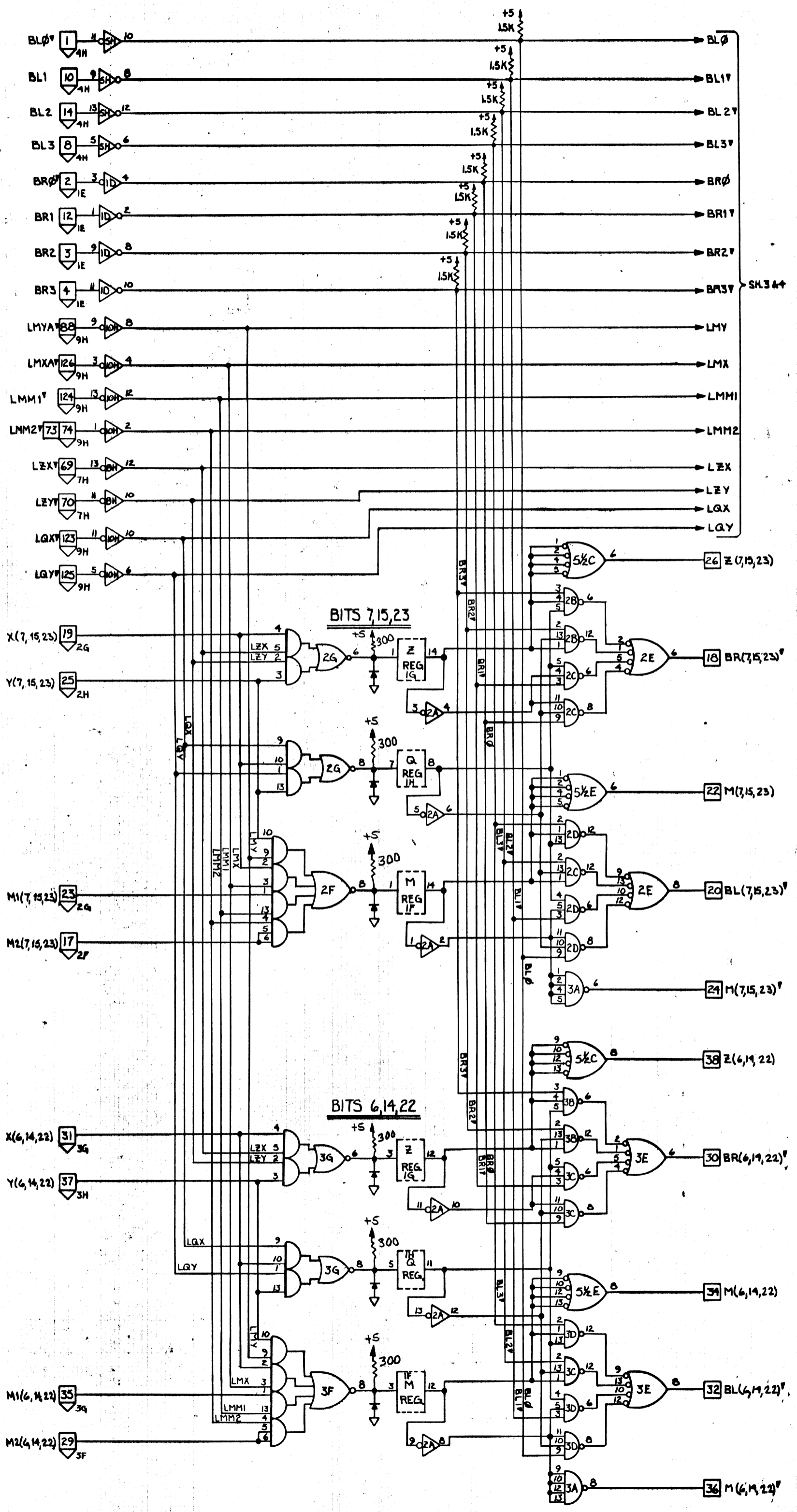


NOTES:
 UNLESS OTHERWISE SPECIFIED:
 1. RESISTORS ARE 1/8W, 10%, CARBON COMP.
 2. * INDICATES FAST MODULE.
 3. DIODES ARE DABOS'S.



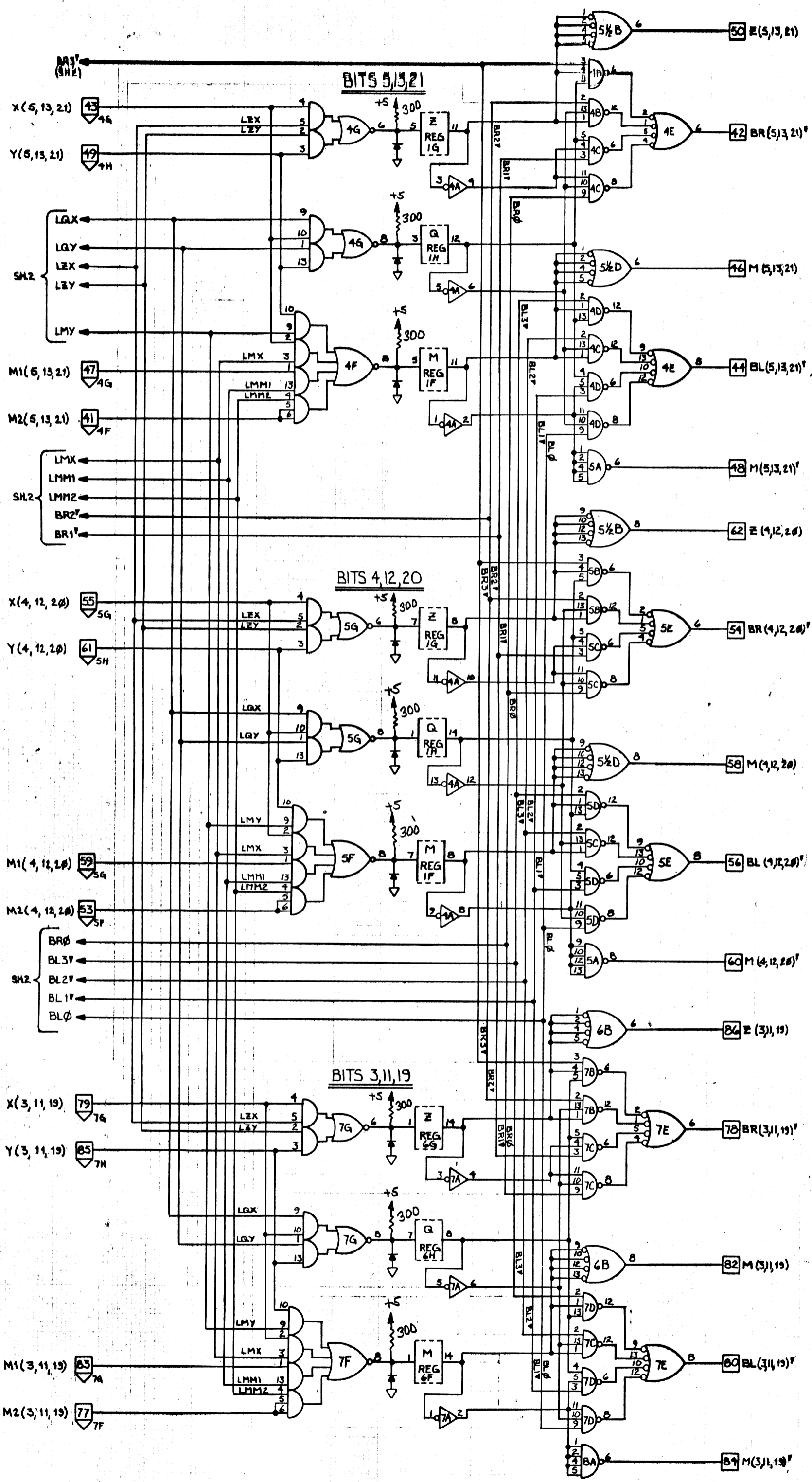
A12, 18, 23

RELEASED		DATE		APPROVED	
REVISIONS					
L00246	DESIGNED BY D. DODGE	TITLE M, Q, Z REGISTER			
	DATE 3-10-70	REVISED BY M. M.	BITS (0-7) (8-15) (16-23)		
	DATE 3-10-70	DESIGNED BY D. MORENO	MASTER		
	DATE NONE	REVISED BY	1	4	L00246 . 1



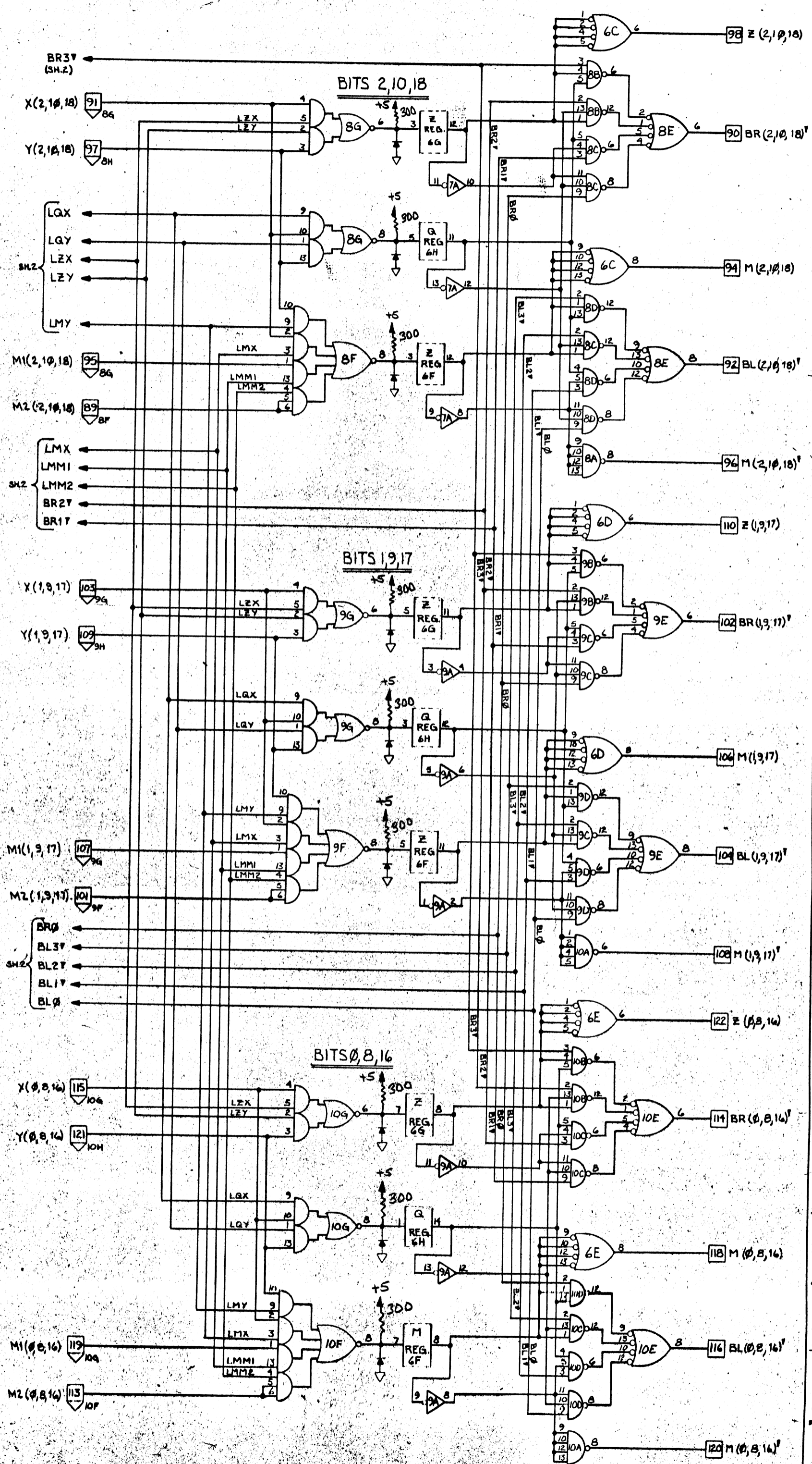
A12, 18, 25

L00246	
DODGE 3-18-70 3-18-70 D. MOORE NONE	MASTER BITS (0-7) (8-15) (16-23)
2	4
L00246 . 1	



A12, 18, 25

LO0246		D. DODGE	
		D. DODGE 3-10-70 NONE	
M, Q, Z REGISTER BITS (0-7) (8-15) (16-23)		MASTER L00246 . 1	



A12, 18, 25

LOO246		DODGE	
M4Z REGISTER BITS (0-7) (8-15) (16-23)		MASTER	
4 4		LOO246 . 1	