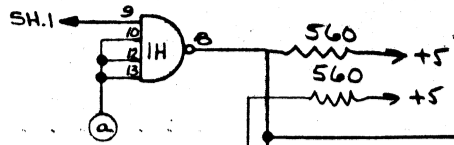
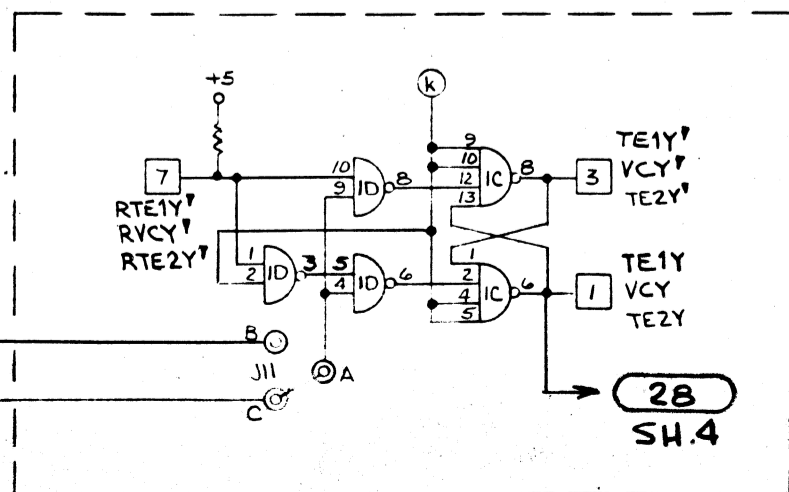
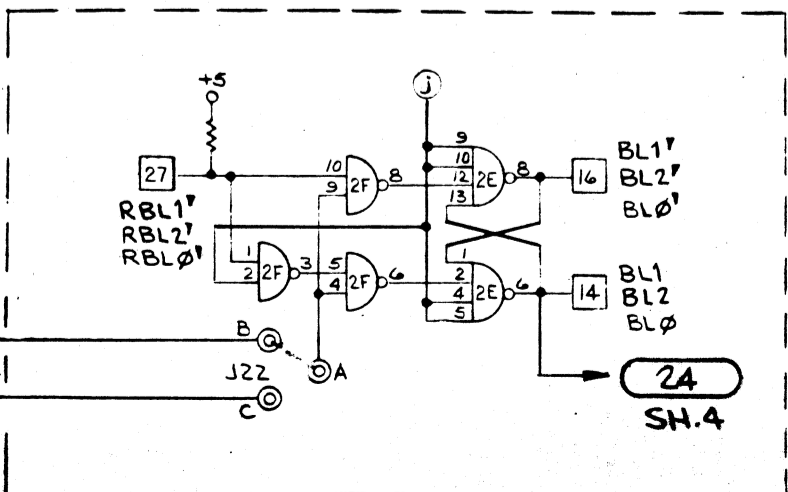
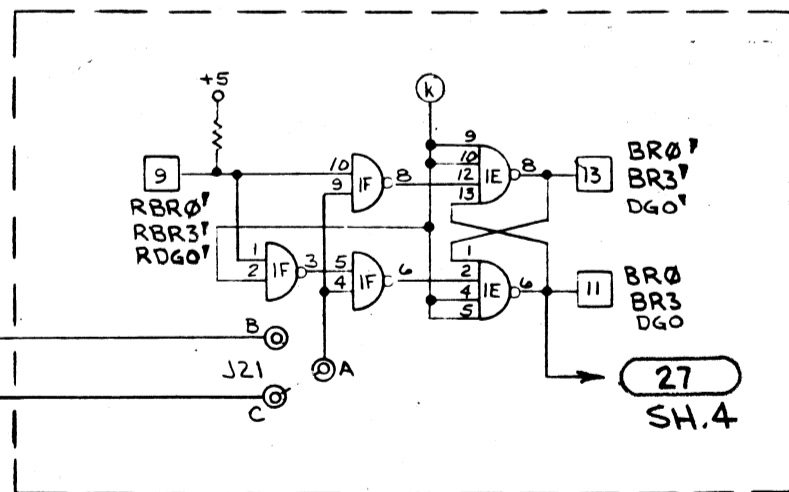
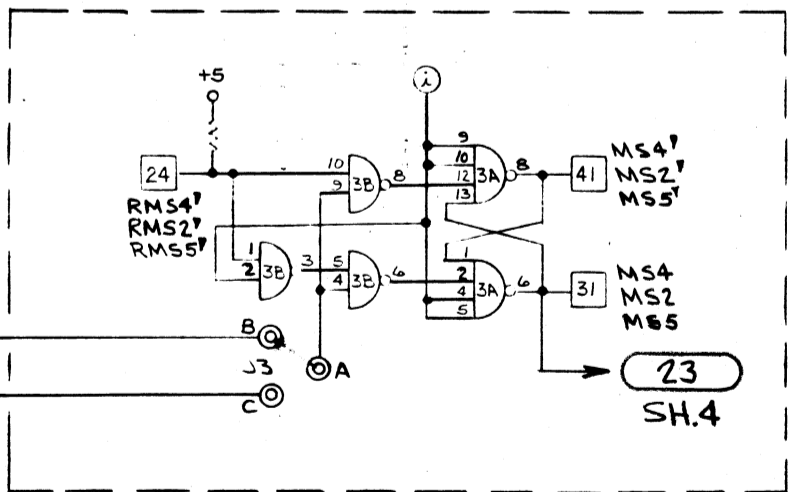
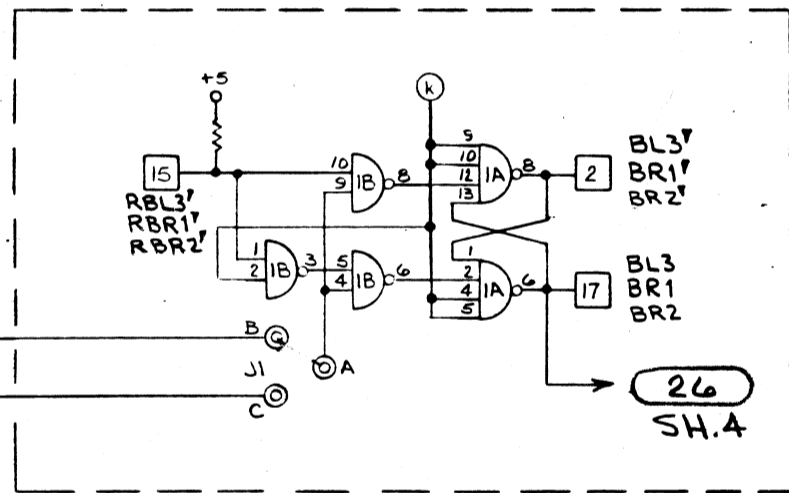
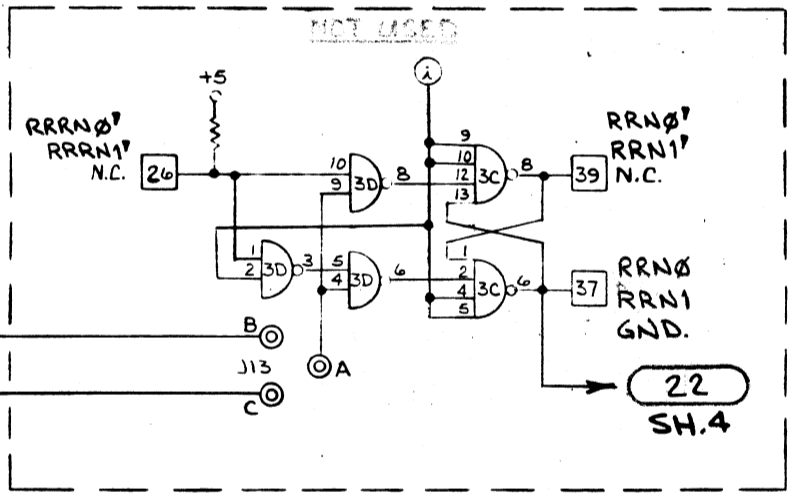
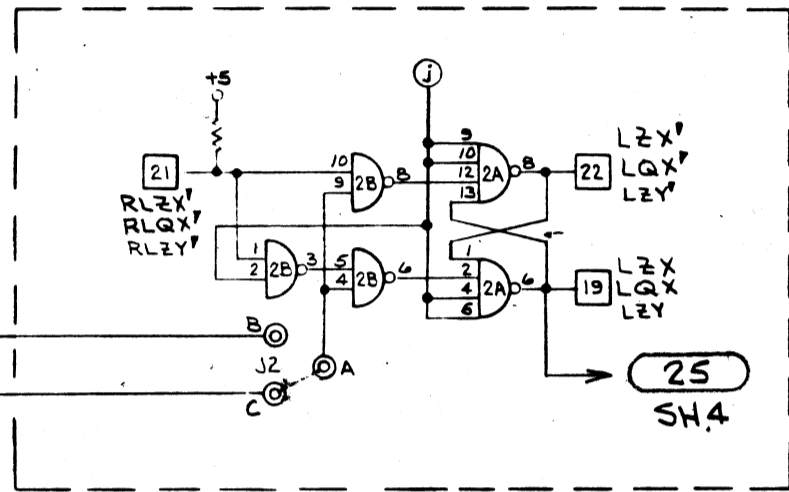
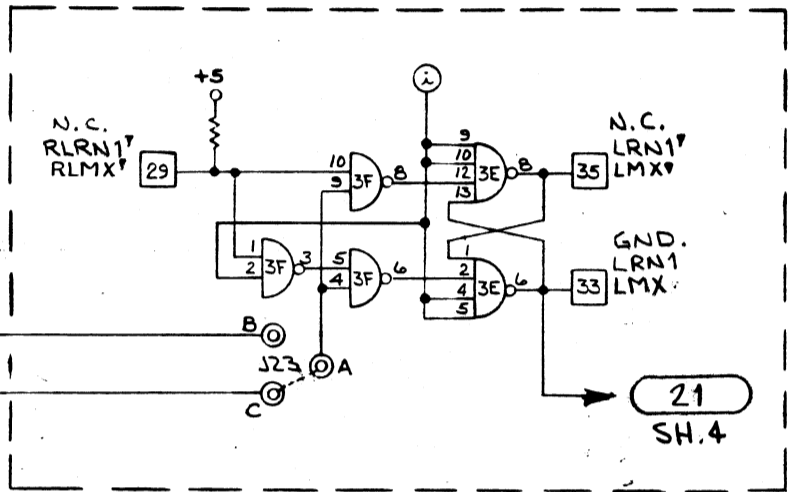
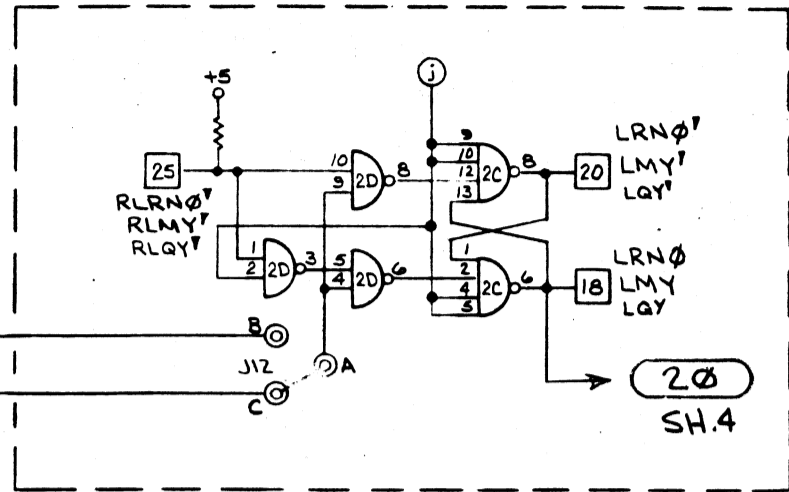
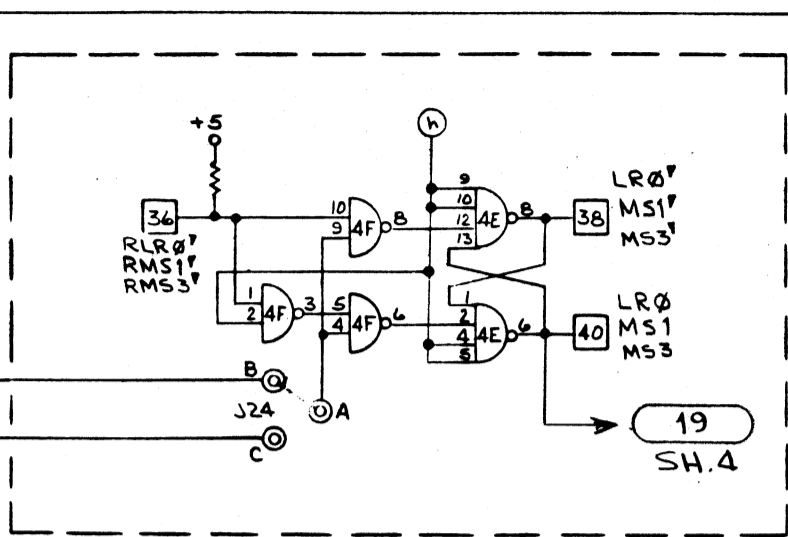
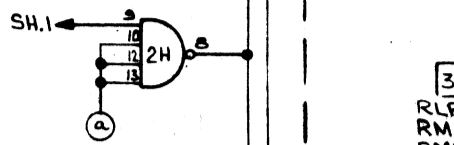


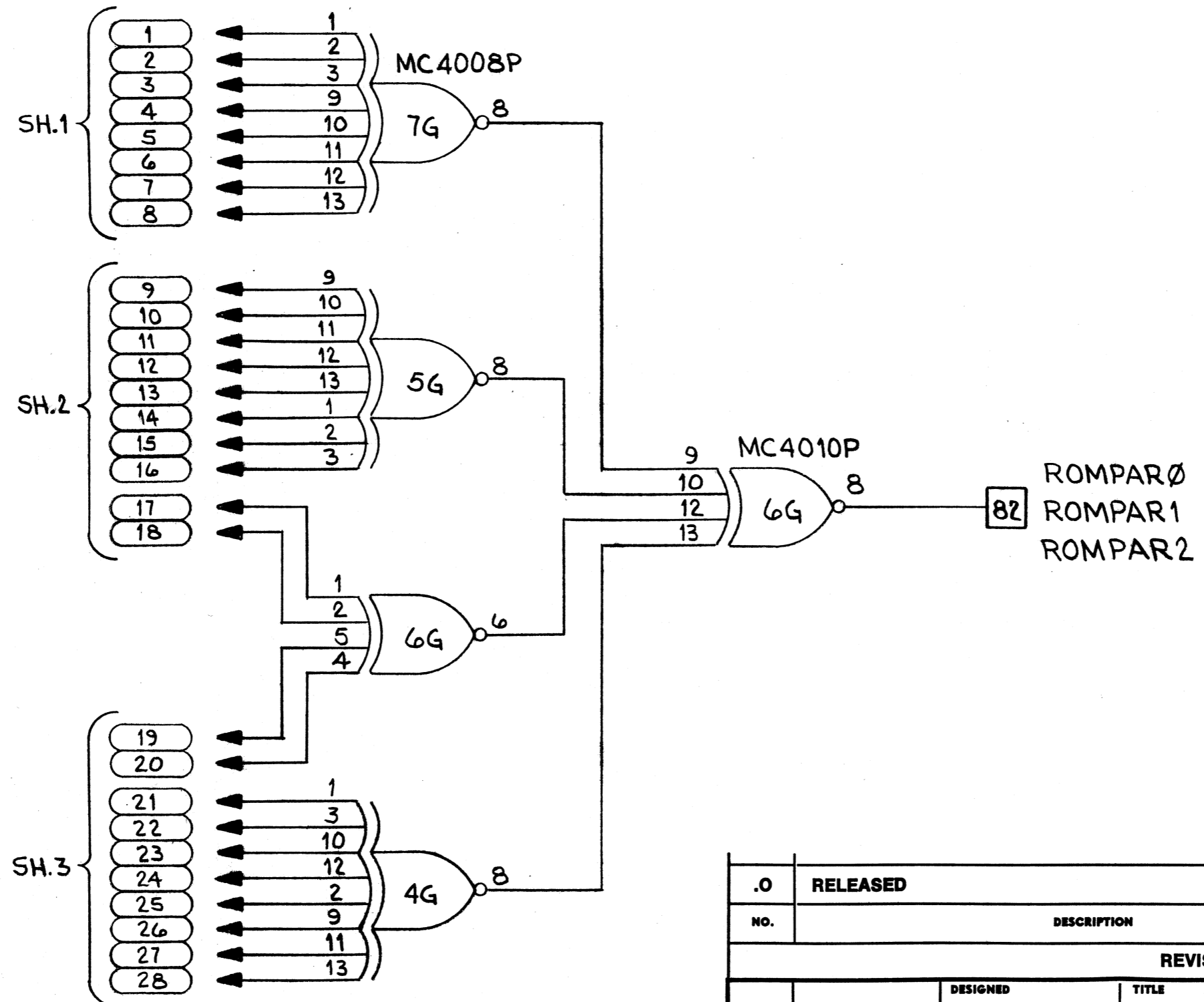
12 CLOCK A17



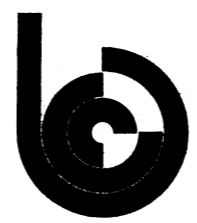
13 CLOCK A17



Berkeley Computer Corporation  
DATE: 3-5-70  
TITLE: ROM REGISTER (0,142)  
PROJECT: FIRST USED ON M1 DCC  
L00203.4  
SHT 3 OF 4



.0	RELEASED			
NO.	DESCRIPTION	DATE	DRAWN	APPROVED
REVISIONS				
L 00363	DESIGNED	TITLE		
	DES. CHK'D	ROM REGISTER (Ø, 1 & 2)		
	DRAWN 10-27-70 D. MORENO	PROJECT		
	DWG. CHK'D	FIRST USED ON M1 DCC		
	SCALE	SHEET OF	NO.	
	✓	4 4	L 00363 .Ø	



Berkeley  
Computer  
Corporation