

L01003.1

The Alpha System RDC-500

RELEASABLE

DATE

REVISION

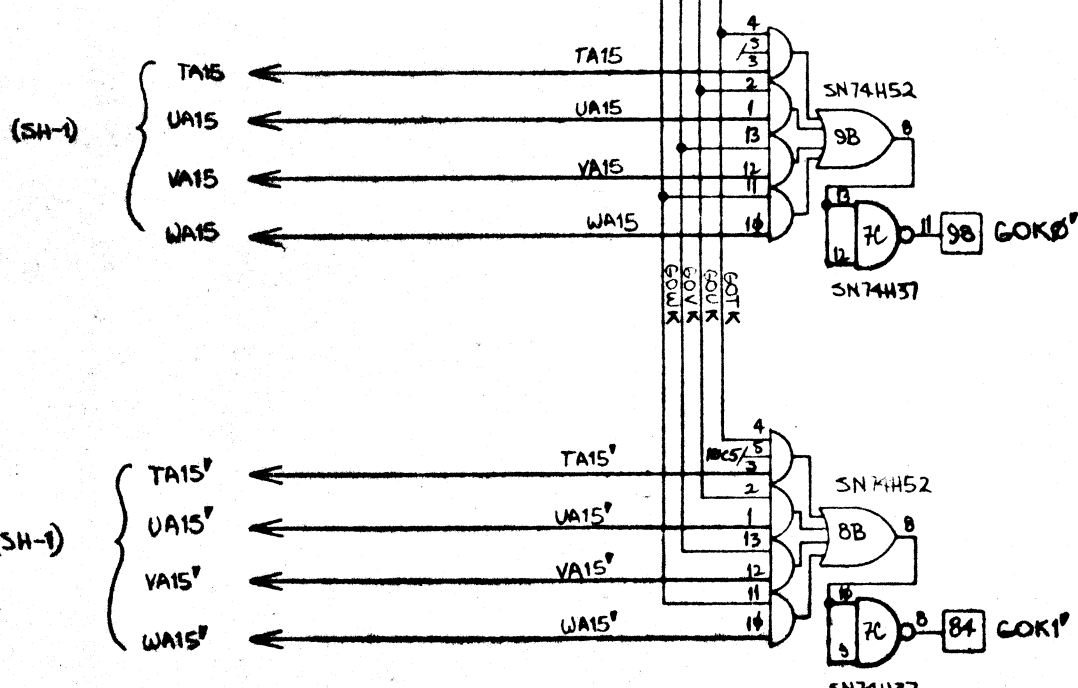
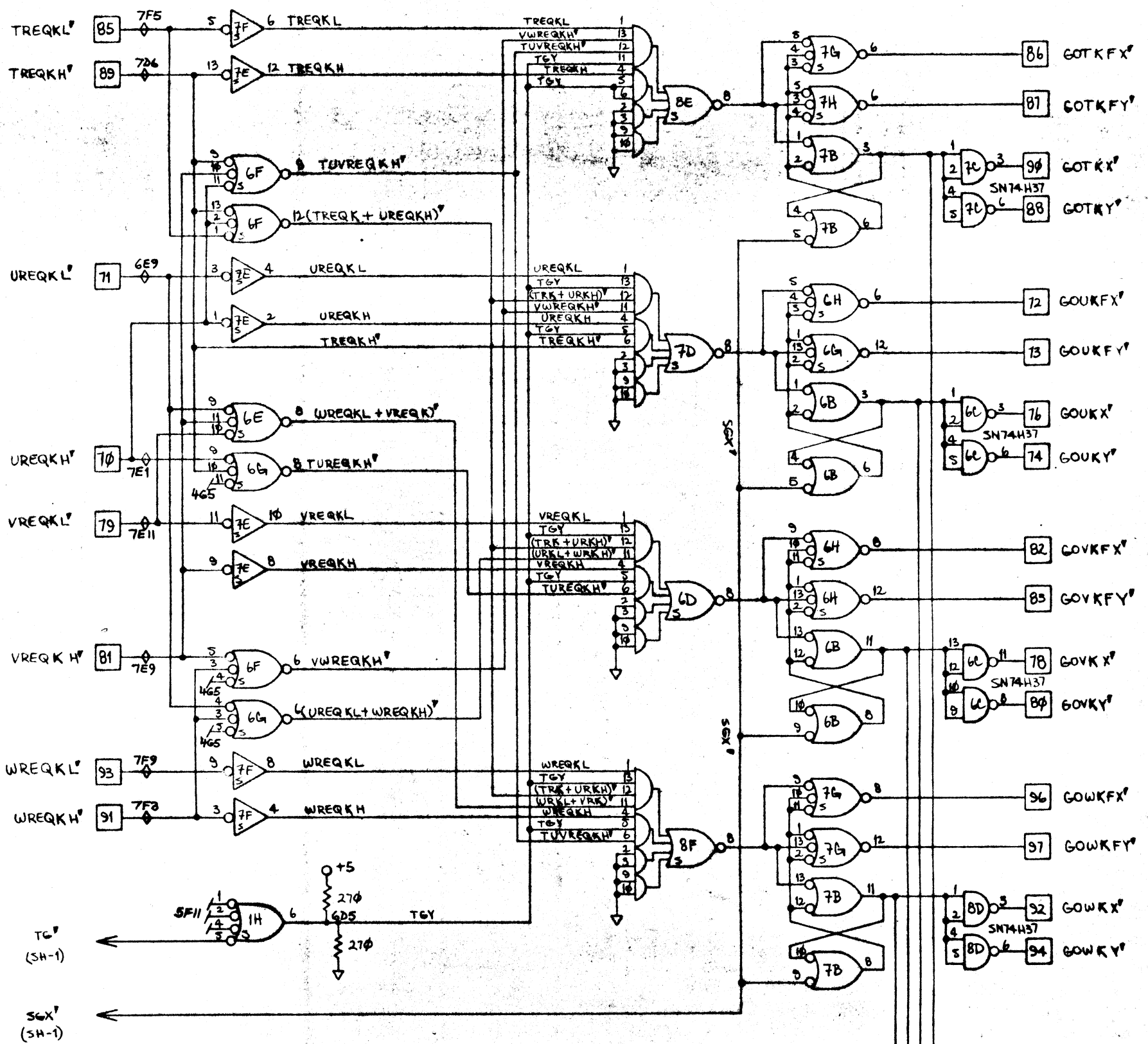
1

4

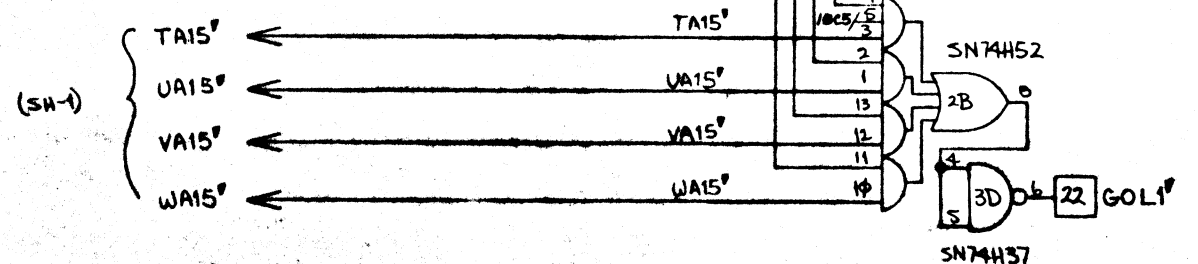
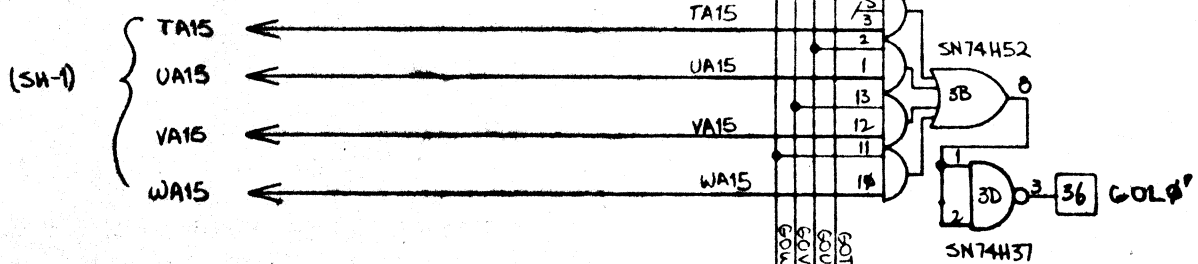
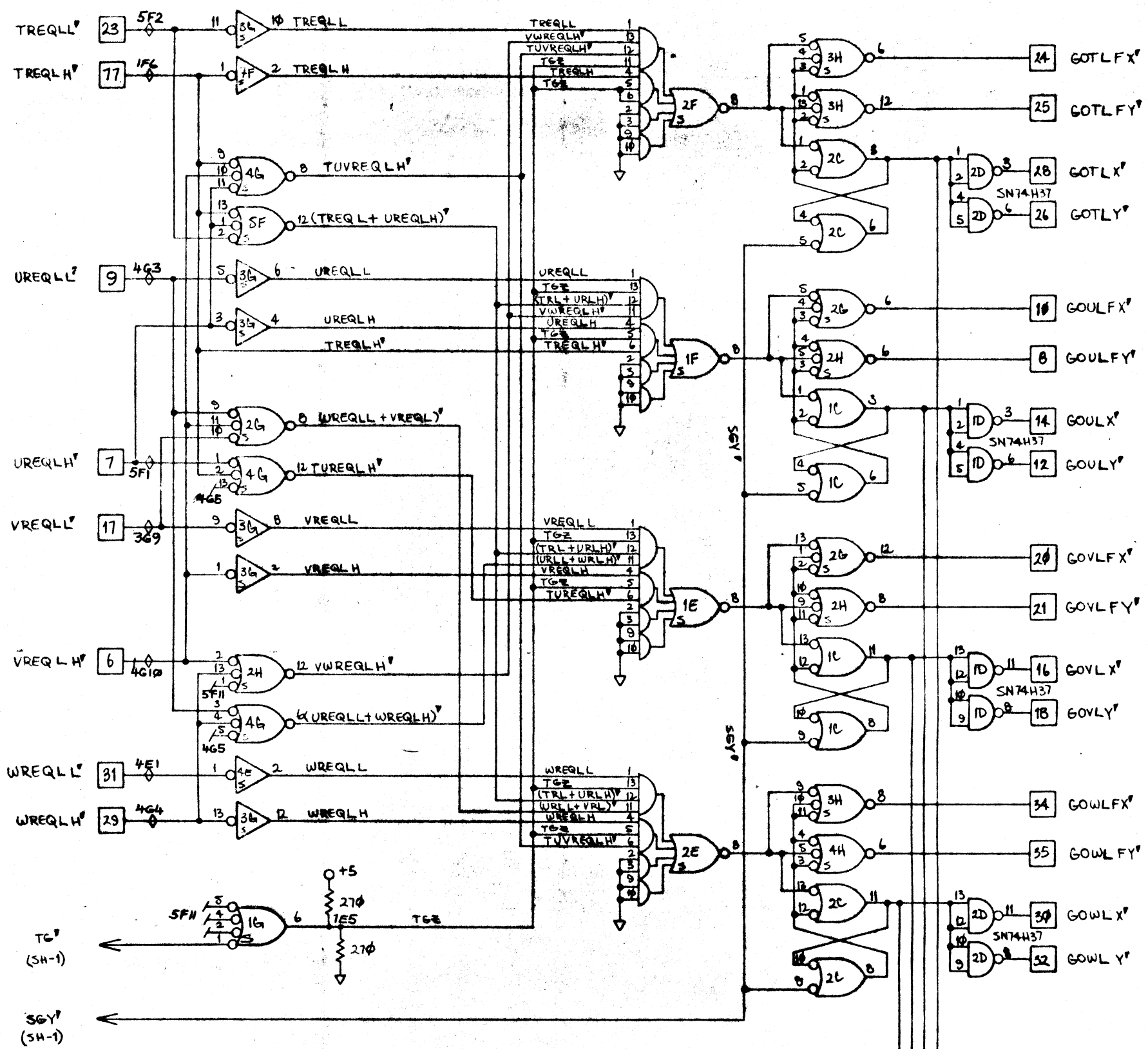
L01003.1

FIRST USED-M1 FAST MEMORY

NEW GO CARD



L01003.1  
 The Ashby System  
 BCC-500  
 ETC  
 REVISIONS  
 NEW GO CARD  
 FIRST USED-MFAST MEMOR  
 2 of 4  
 L01003.1



L01003.1

RELEASED

THE ALPHA SYSTEMS INC.

AR. GOODRICH

ETC

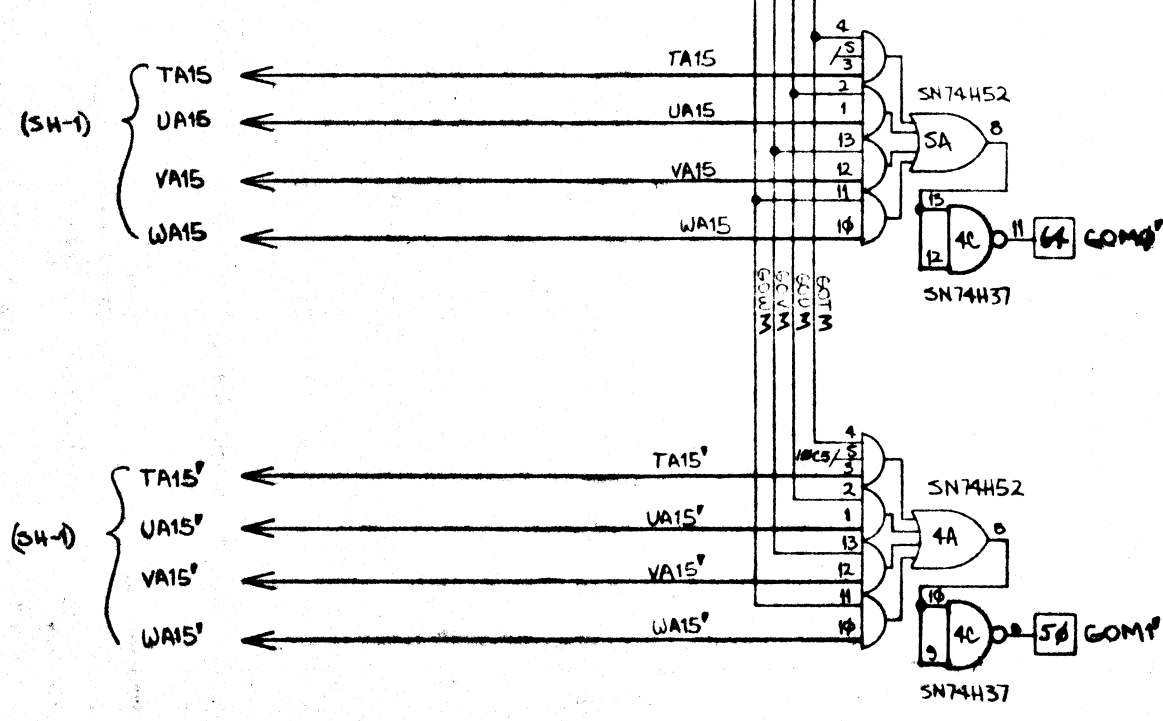
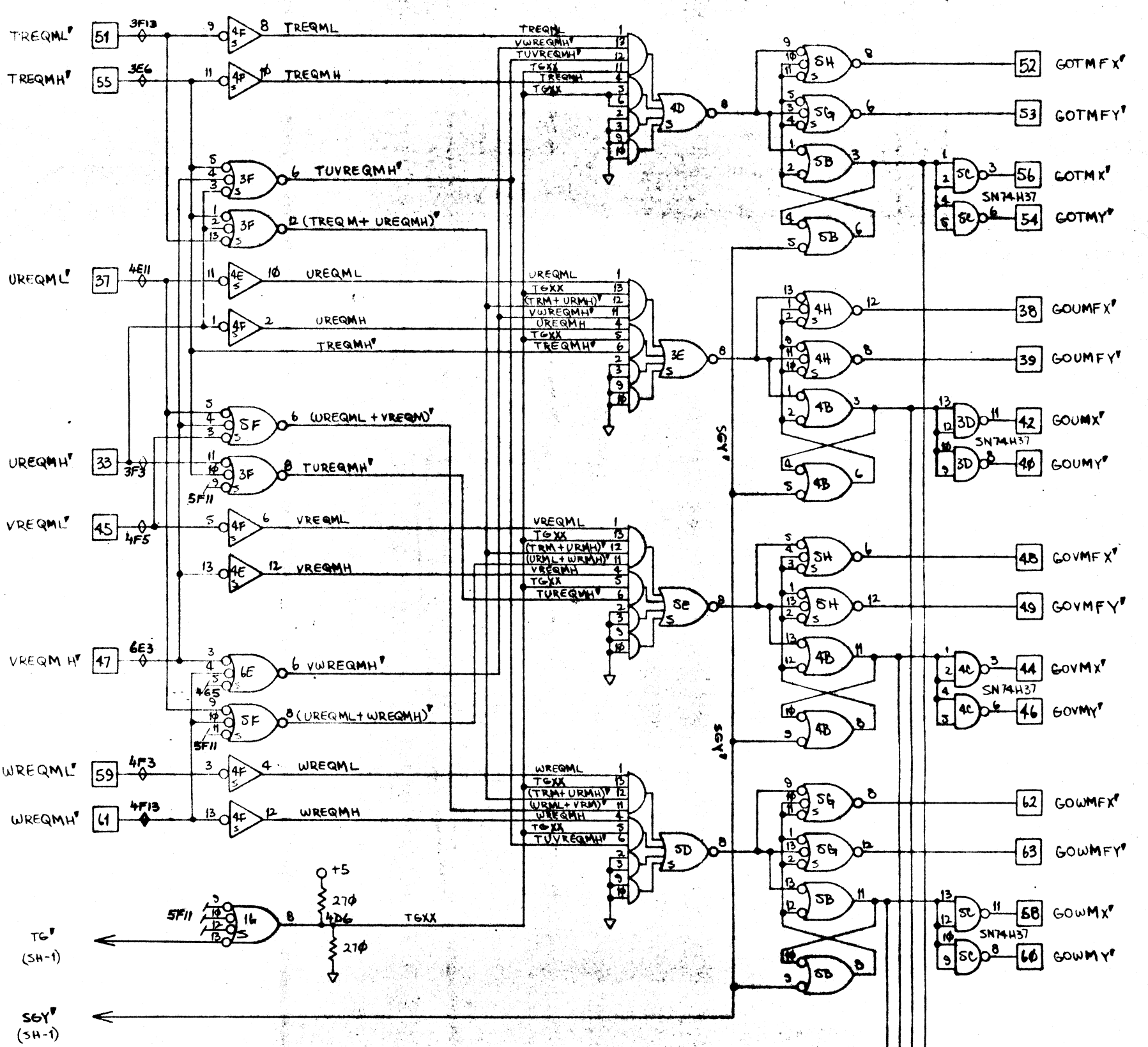
NEW GO CARD

FIRST USED-M1FAST MEMOP

3

4

L01003.1



<p>The Alpha SIC-500 SIC-500</p>	<p>REVISIONS</p> <p>DATE</p> <p>BY</p> <p>APPROVED</p>
<p>NEW GO CARD</p>	<p>FIRST USED-MILFACT MEMOR</p> <p>4</p> <p>L01003.1</p>