

L01005.0

RELEASED

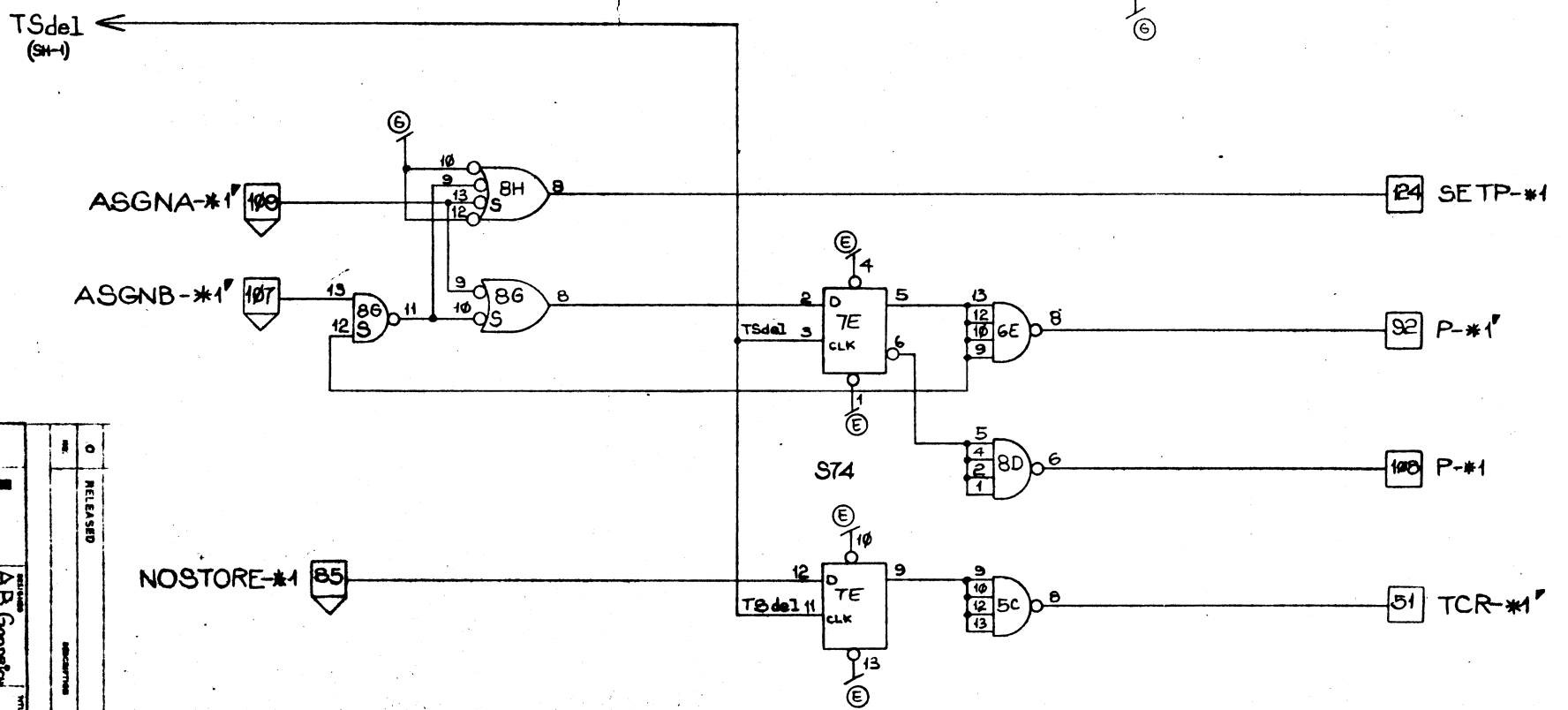
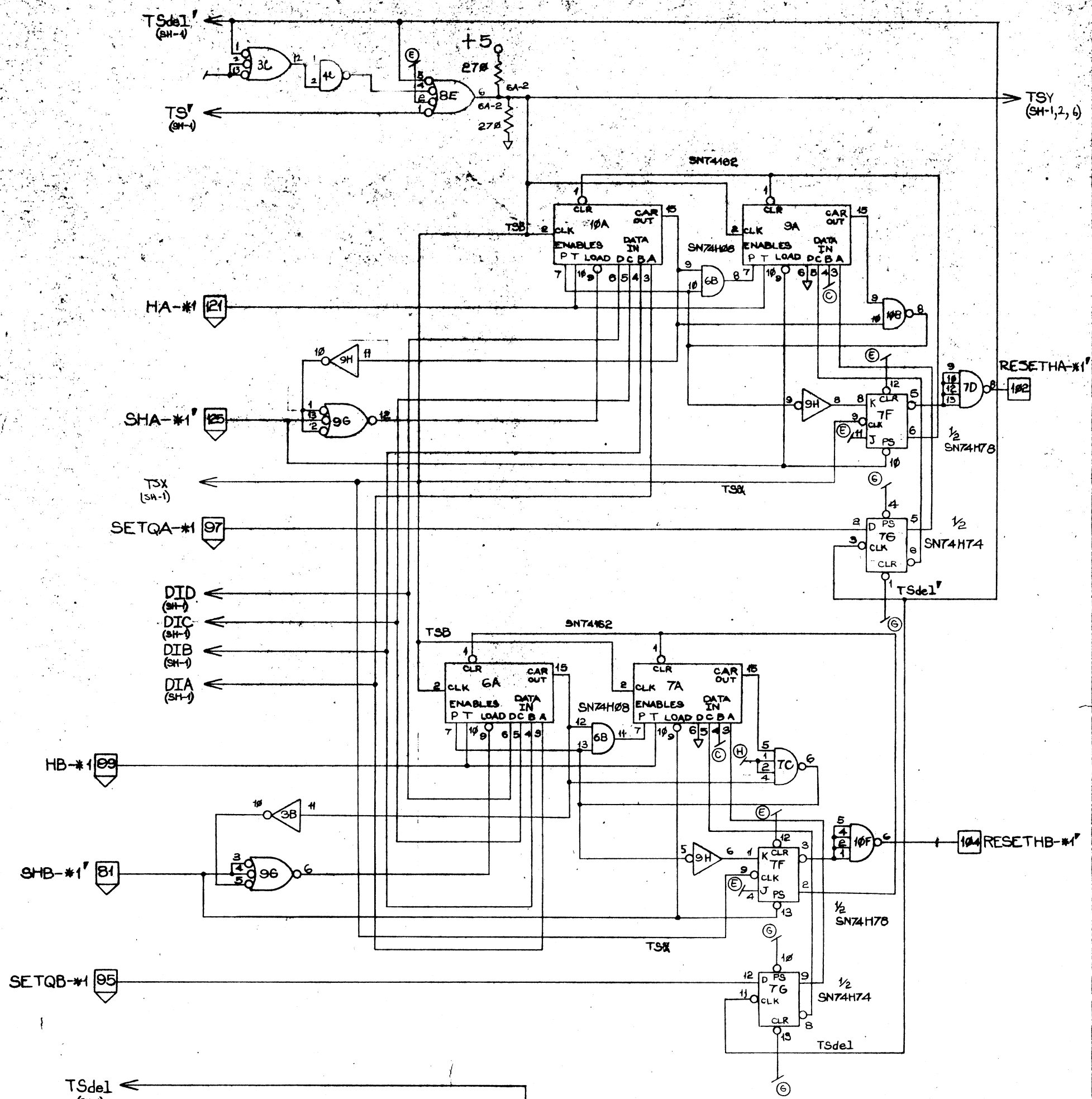
ABGoper

Edisa

CONTROL CARD #3

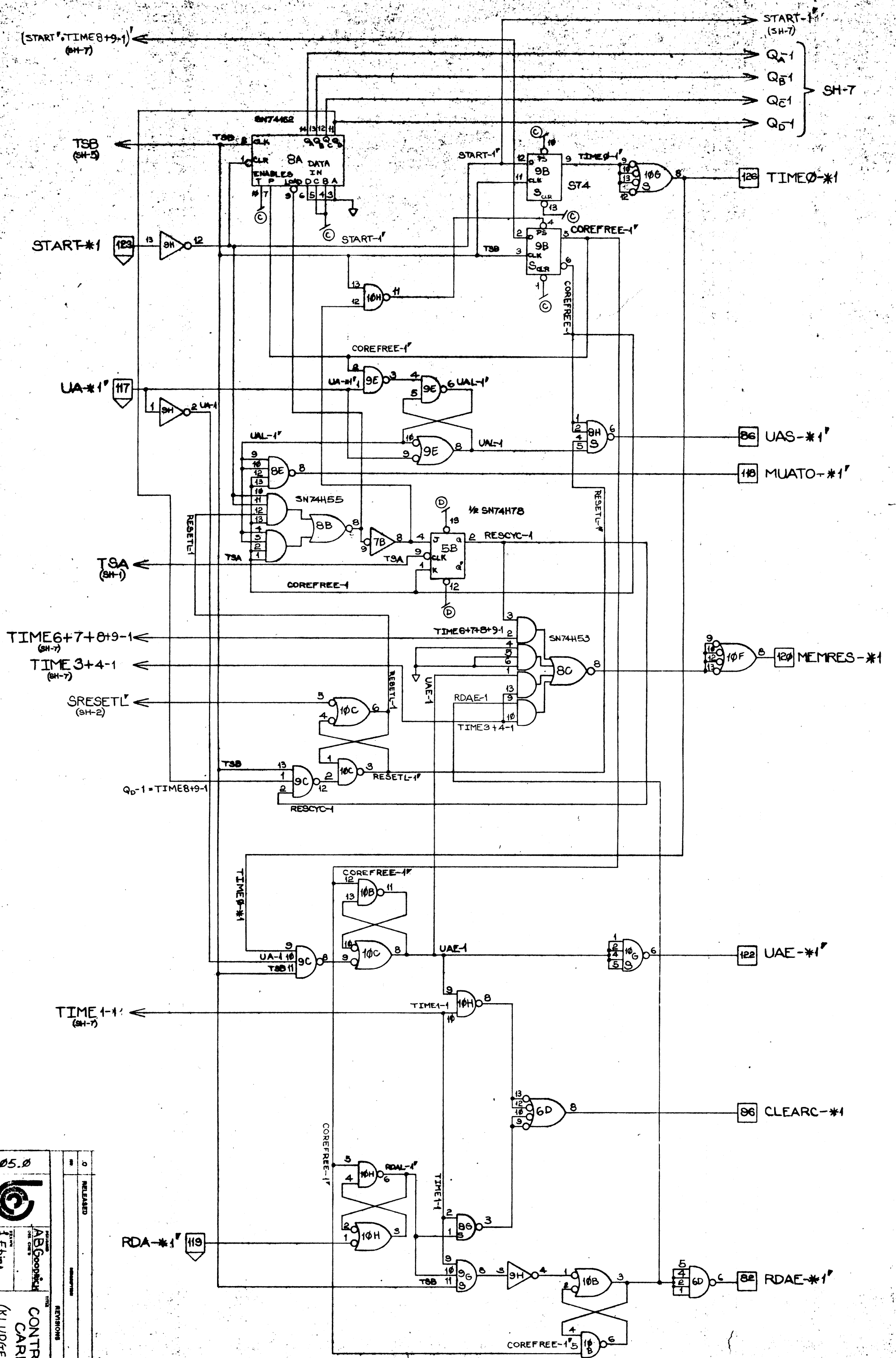
FM


L01005.0

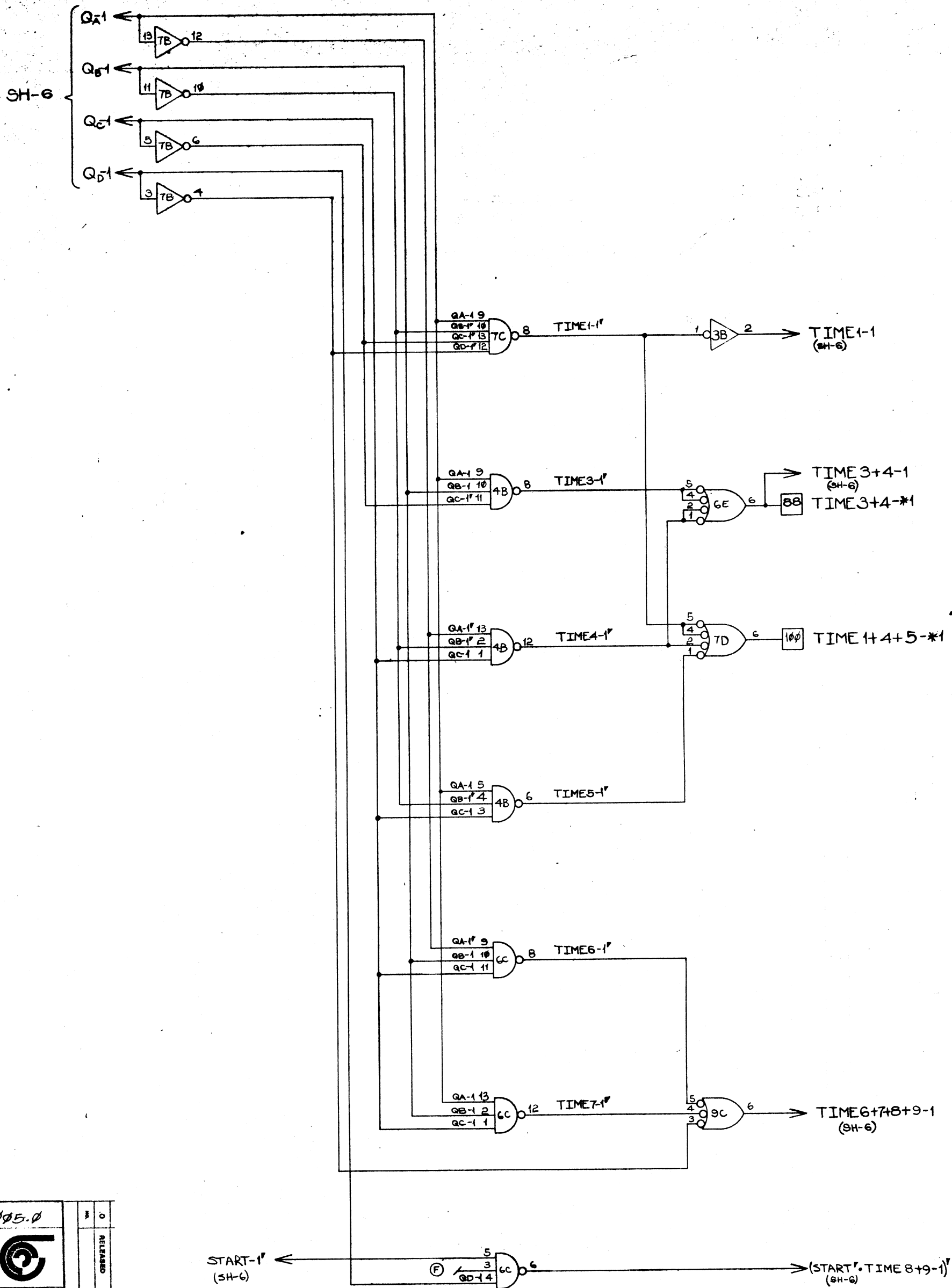


LD1005.0
 RELEASED
 Raytheon
 Computer
 Corporation
 AB Gooden for
 FM
 CONTROL
 CARD #3
 (KUDBE CARDS)
 5 8 LD1005

| REV | DESCRIPTION | DATE | BY |
|-----|-------------|------|----|
| 0 | RELEASED | | |



| | | | |
|--|--|---|----------|
| L01005.0 | | 0 | RELEASED |
|  Raytheon Defense Computer Corporation | | 1 | |
| ABG Goodrich Division 7000 LeBlanc (KLUJGE CARD) | | 2 | |
| CONTROL CARD # 9 (KLUJGE CARD) | | 3 | |
| L01005 | | 4 | |
| 6 | | 5 | |
| 8 | | 6 | |
| L01005 | | 7 | |
| 4 | | 8 | |



L01005.0

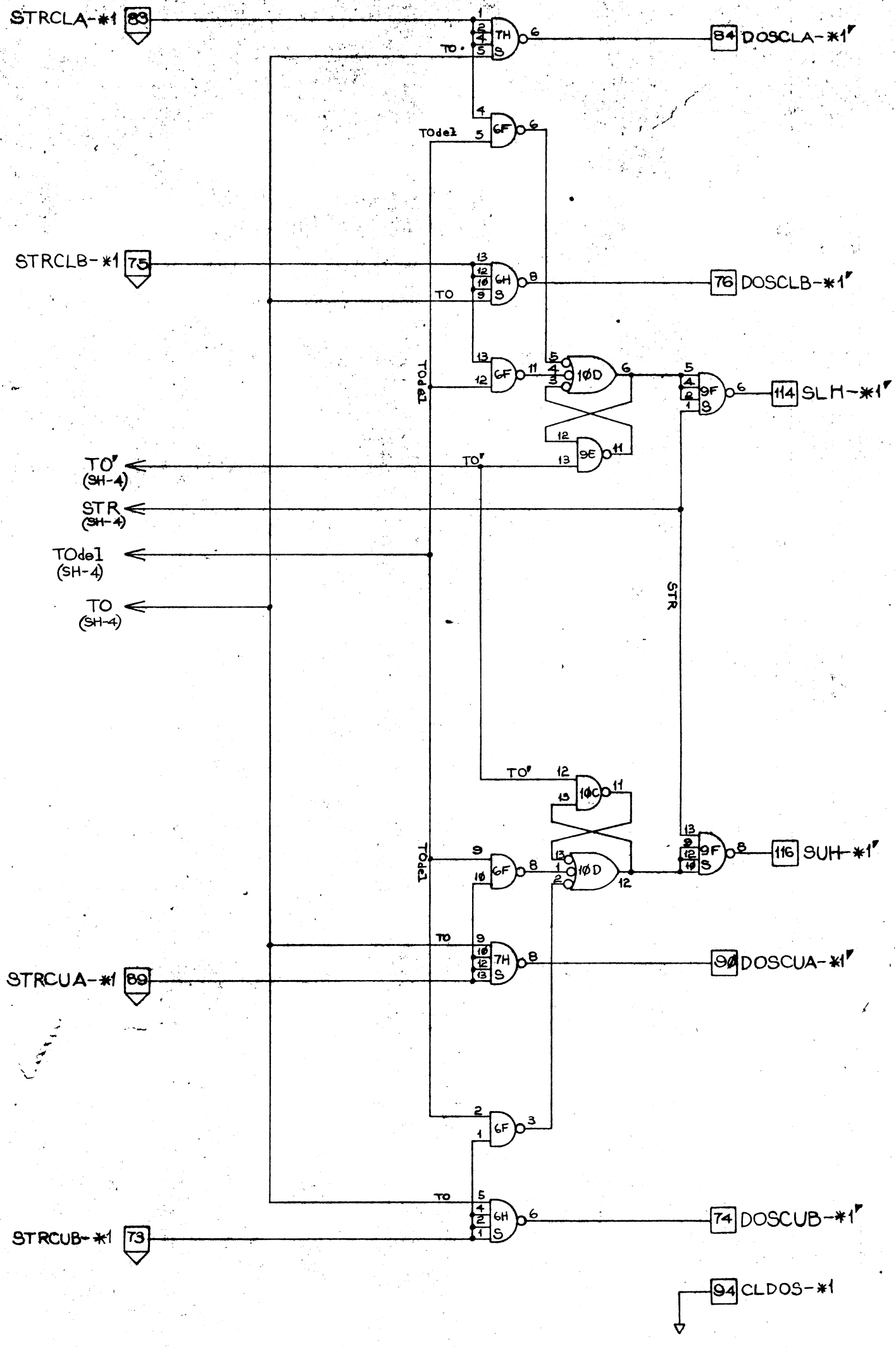
0 RELEASED

ABG:gsd
E:bia

CONTROL CARD #9
(KLUDGE CARD)

7 8 L01005.0

| | | |
|------|------|----------|
| DATE | TIME | INITIALS |
| | | |



RELAYED

ABG Controls
 L. E. Egan
 (KLUDEE CARD)
 CONTROL CARD #3

REVISIONS

| NO. | DATE | BY | REVISION |
|-----|------|----|----------|
| 1 | | | |
| 2 | | | |
| 3 | | | |
| 4 | | | |

REVISIONS

DATE: 8 8 8 8
 BY: L. E. Egan
 Lφ1005.0

Lφ1005.0

Barkley Computer Corporation