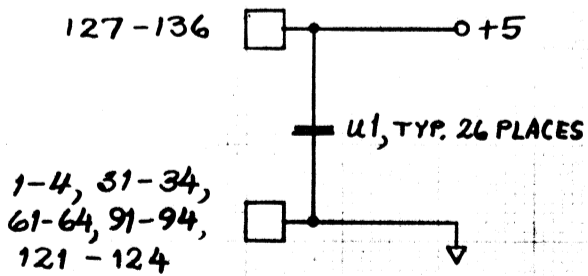
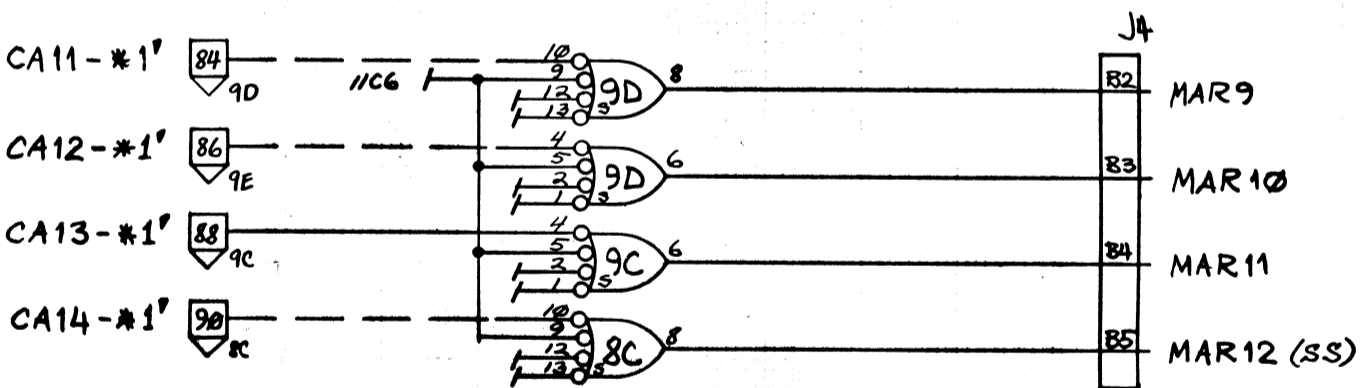
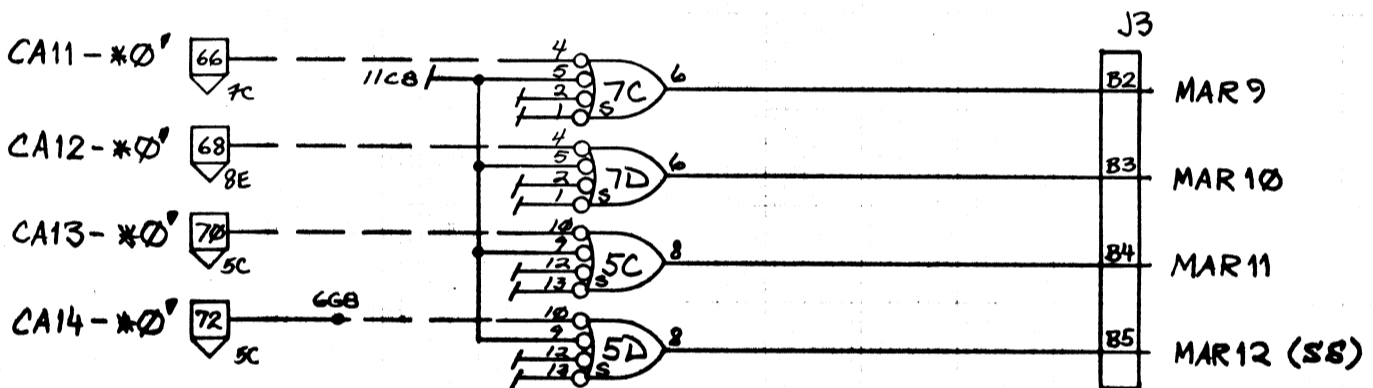
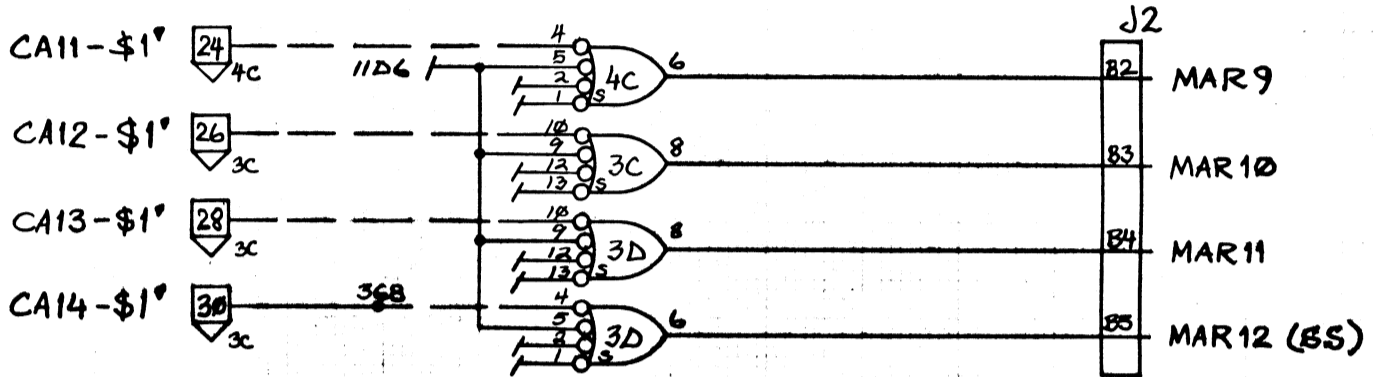
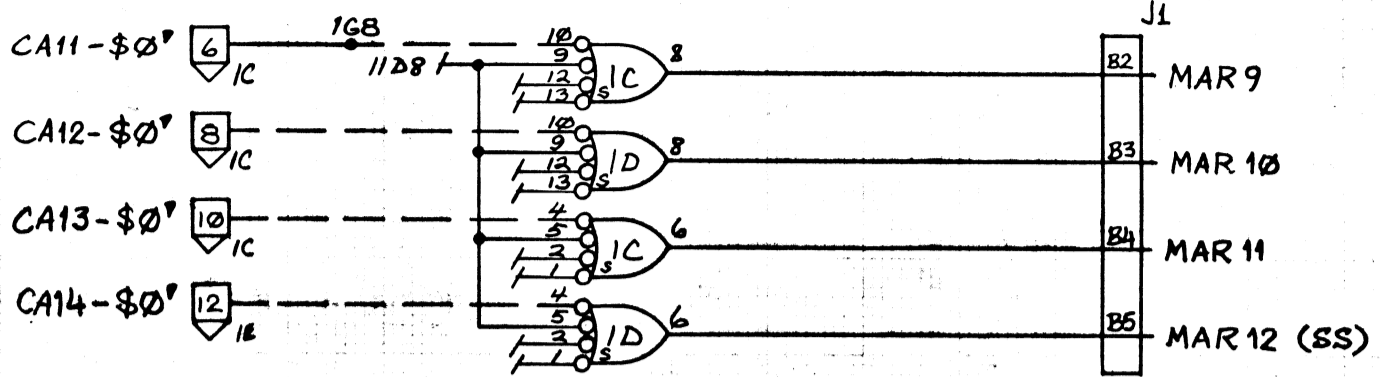


PROJECT: NEW FM 813 + 821 DRAWING: Lp 1061-0	TITLE: CORE ADDRESS
REVISIONS: 1/5/74	DATE:
DESIGNED BY: J. B. BAKER	CHECKED BY:
DRAWN BY:	APPROVED BY:



NOTES: 1)

SYM-BOL	LOCATION	
	B13	B21
\$	J	L
*	K	M

PROJECT: CORE ADDRESS DESIGNER: MITSUYAMA CHECKED: [Signature] DATE: 2 2 FILE: Lp1961.0	NEW FM B13 & B21