

**MC8310**

**DISK STORAGE DRIVE  
TYPE 8418-02/03,04/05**

UP002525-1

**ILLUSTRATED PARTS  
BREAKDOWN**

FEBRUARY, 1977  
CUSTOMER ENGINEERING

**COMPANY CONFIDENTIAL INFORMATION**

THIS DOCUMENT CONTAINS CONFIDENTIAL INFORMATION OF THE SPERRY RAND CORPORATION. IN CONSIDERATION OF THE RECEIPT OF THIS DOCUMENT, THE RECIPIENT AGREES NOT TO REPRODUCE, COPY, USE OR TRANSMIT THIS DOCUMENT AND/OR THE INFORMATION THEREIN CONTAINED, IN WHOLE OR IN PART, OR TO SUFFER SUCH ACTION BY OTHERS, FOR ANY PURPOSE, EXCEPT WITH THE WRITTEN PERMISSION, FIRST OBTAINED, OF SPERRY UNIVAC DIVISION OF SPERRY RAND CORPORATION, AND FURTHER AGREES TO SURRENDER SAME TO SPERRY UNIVAC WHEN THE REASON FOR ITS RECEIPT HAS TERMINATED.

SPERRY  UNIVAC®

FASTRAND, SPERRY UNIVAC, UNISCOPE, UNISERVO, and UNIVAC are registered trademarks of the Sperry Corporation. ESCORT, PAGEWRITER, PIXIE, and UNIS are additional trademarks of the Sperry Corporation.

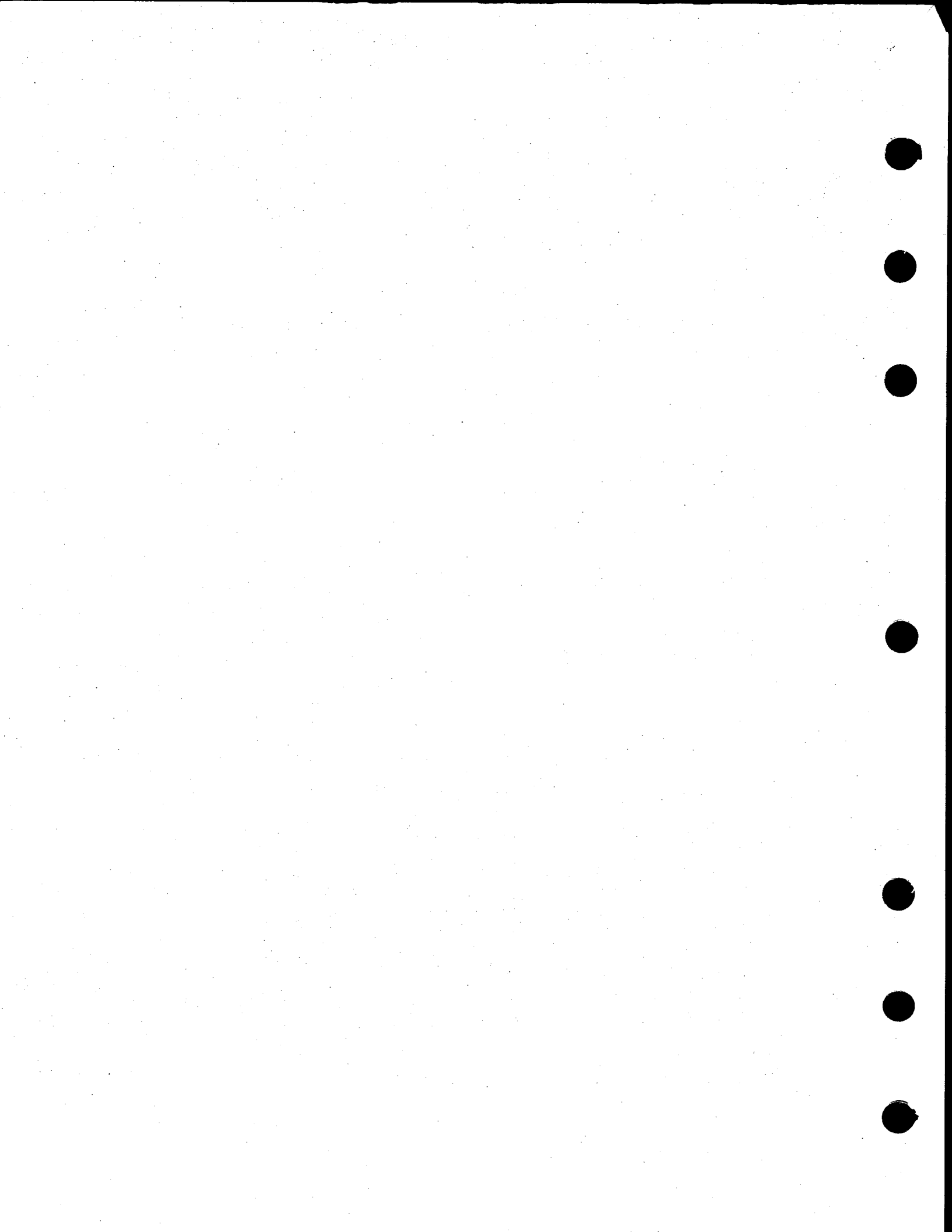
**DISK STORAGE DRIVE TYPE 8418-02/03,04/05**

**ILLUSTRATED PARTS BREAKDOWN**

**MC8310, UP002525-1**



Information Storage Systems  
10435 North Tantau Avenue  
Cupertino, California 95014  
Tel: (408) 257-6220 TELEX 357440



## MANUAL CONFIGURATION CONTROL INDEX

DATE	PAGE	HC REV	DATE	PAGE	HC REV	DATE	PAGE	HC REV	DATE	PAGE	HC REV
2/77	Cover Title Page	Orig		2-52/ 2-53	HC2						
				2-57	HC2						
				2-58/ 2-59	HC2						
5/77	i	HC1		3-2	HC2						
	ii			thru							
	1-1	HC1		3-9							
	thru 1-3										
	2-1	HC1									
	thru 2-61										
	3-1	HC1									
	thru 3-9										
	A-1	HC1									
	thru A-6										
8/79	2-3	HC2									
	thru 2-17										
	2-20/ 2-21	HC2									
	2-23	HC2									
	2-24/ 2-25	HC2									
	2-27	HC2									
	2-28/ 2-29	HC2									
	2-30/ 2-31	HC2									
	2-33	HC2									
	2-35	HC2									
	2-39	HC2									
	2-40/ 2-41	HC2									
	2-43	HC2									
	2-44/ 2-45	HC2									
	2-47	HC2									



# HANDBOOK CHANGE BULLETIN

CUSTOMER ENGINEERING

---

BOOK: MC8310 DISK STORAGE DRIVE  
TYPE 8418-02/03,04/05  
ILLUSTRATED PARTS BREAKDOWN

Release Date: September 1979  
Manual Cover Date: February 1977

Univac 8418 Series - Handbook: HB2402

HCB-2

## DESCRIPTION OF CHANGES

Part numbers and related data have been changed to reflect current engineering data.

NOTE: Vertical bars in the margins of the attached revised pages indicate where engineering data has been changed. A new page that contains new or revised data or a page that was completely rewritten will have a vertical bar adjacent to the page number only. A new page containing no new or revised data will only carry the new revision level at the bottom of the page. Revised illustrations have a vertical bar beside the page number.

## INSTRUCTIONS

The entire book has been reprinted to facilitate handling. Retain this HCB coversheet behind the book's Manual Configuration Control Index.





SPERRY  UNIVAC

# HANDBOOK CHANGE BULLETIN

## CUSTOMER ENGINEERING

---

BOOK: MC8310 DISK STORAGE DRIVE  
TYPE 8418-02/03, 04/05  
ILLUSTRATED PARTS BREAKDOWN

EFFECTIVE DATE: May 18, 1977

HCB-1

### HANDBOOK APPLICATION

SPERRY UNIVAC 90/30

HB 2402 Disk Storage Drive  
Type 8418-02/03, 04/05 Servicing

### DESCRIPTION OF CHANGES

NOTE: Vertical bars in the margins of the attached revised pages indicate where engineering data has been added, deleted or revised. A new page that contains new or revised data or a page that was completely rewritten will have a vertical bar adjacent to the page number only. A new page containing no new or revised data will only carry the new revision level at the bottom of the page.

Appendix A - Maintenance Tools, has been added to the book to aid in identifying the tools and test equipment necessary for disk drive maintenance.

This document reflects all engineering changes and includes all information released in Technical Documentation Notices through February 28, 1977.

### INSTRUCTIONS:

All revised pages are labeled REVISION: HCB-1

The entire book has been reprinted to facilitate handling. Replace the entire contents of MC8310 with the attached new pages. Retain this HCB cover sheet behind the book's title page.



# CONTENTS

Section		Page
1	ILLUSTRATED PARTS BREAKDOWN . . . . .	1-1
	1.1 Introduction . . . . .	1-1
	1.1.1 Figure/Assembly Locator . . . . .	1-1
	1.2 Group Assembly Parts List . . . . .	1-1
	1.3 Column Explanation . . . . .	1-1
	1.3.1 "FIG & INDEX" Column . . . . .	1-1
	1.3.2 "PART NO." Column . . . . .	1-3
	1.3.3 "REF DES." Column . . . . .	1-3
	1.3.4 "DESCRIPTION" Column . . . . .	1-3
	1.3.5 "QTY PER ASSY" Column . . . . .	1-4
	1.3.6 "USED ON CODE" Column . . . . .	1-4
	1.3.7 "REF FIG" Column . . . . .	1-4
	1.4 Part Number Index . . . . .	1-4
2	GROUP ASSEMBLY PARTS LIST . . . . .	2-1
3	PART NUMBER INDEX . . . . .	3-1
	APPENDIX A	
	MAINTENANCE TOOLS . . . . .	A-1

## ILLUSTRATIONS

Figure		Page
1-1	Figure/Assembly Locator . . . . .	1-2
2-1	Disk Storage Drive . . . . .	2-2
2-2	Drive Machine Assembly . . . . .	2-4
2-3	Drive Machine Assembly (Continued) . . . . .	2-8
2-4	Switch Panel Assembly . . . . .	2-13
2-5	Top Cover Assembly . . . . .	2-15
2-6	Shroud Cover Assembly . . . . .	2-16
2-7	Shroud Cover Latch Assembly . . . . .	2-19
2-8	Latch Solenoid Assembly . . . . .	2-21
2-9	Baseplate Assembly . . . . .	2-22
2-10	Baseplate Assembly (Continued) . . . . .	2-26
2-11	Drive Motor Assembly . . . . .	2-31
2-12	Spindle and Carriage Assembly . . . . .	2-32
2-13	Drive Frame Assembly . . . . .	2-34
2-14	Power Supply Assembly . . . . .	2-38
2-15	Filter/Rectifier Assembly . . . . .	2-42
2-16	Library Matrix . . . . .	2-45
2-17	PWA Library Assembly . . . . .	2-46
2-18	Drive Internal Harness Assemblies . . . . .	2-50
2-19	Interface Control Assembly . . . . .	2-54
2-20	8418 Data Pack Assembly . . . . .	2-59
A-1	Special Tools and Test Equipment . . . . .	A-4

## TABLES

Table		Page
2-1	External Cables . . . . .	2-61
A-1	List of Standard Tools . . . . .	A-2
A-2	List of Special Tools . . . . .	A-5
A-3	Standard Test Equipment Accessories . . . . .	A-6

# SECTION 1

## ILLUSTRATED PARTS BREAKDOWN

### 1.1 INTRODUCTION

The Illustrated Parts Breakdown (IPB) contains illustrations, with accompanying lists of parts, that identify and illustrate the components, assemblies and detail parts of the Univac Model 8418 Disk Storage Drive. The information is arranged in sections in the following order:

Section 1. Introduction - This section provides an explanation of how to use the illustrations and lists of parts contained in Sections 2 and 3.

Section 2. Group Assembly Parts List - This section locates and identifies the assemblies and detail parts included in the maintenance and removal/replacement procedures of the disk drive.

Section 3. Part Number Index - This section contains a complete numerical index of all parts listed in Section 2. It also provides a cross-reference to the figure and index number that illustrates and identifies each part.

Appendix A. Maintenance Tools - This section lists by generic name each tool and piece of test equipment required to implement the maintenance philosophy for the 8418 Disk Drive.

Any component or assembly identified by an Information Storage Systems (ISS) eight-digit part number can be converted to a Univac seven-digit part number by dropping the first two characters of the ISS part number and substituting a number 9.

#### 1.1.1 Figure/Assembly Locator

Figure 1-1 is an assembled view of the drive and is provided as an aid in locating assemblies and components in Section 2.

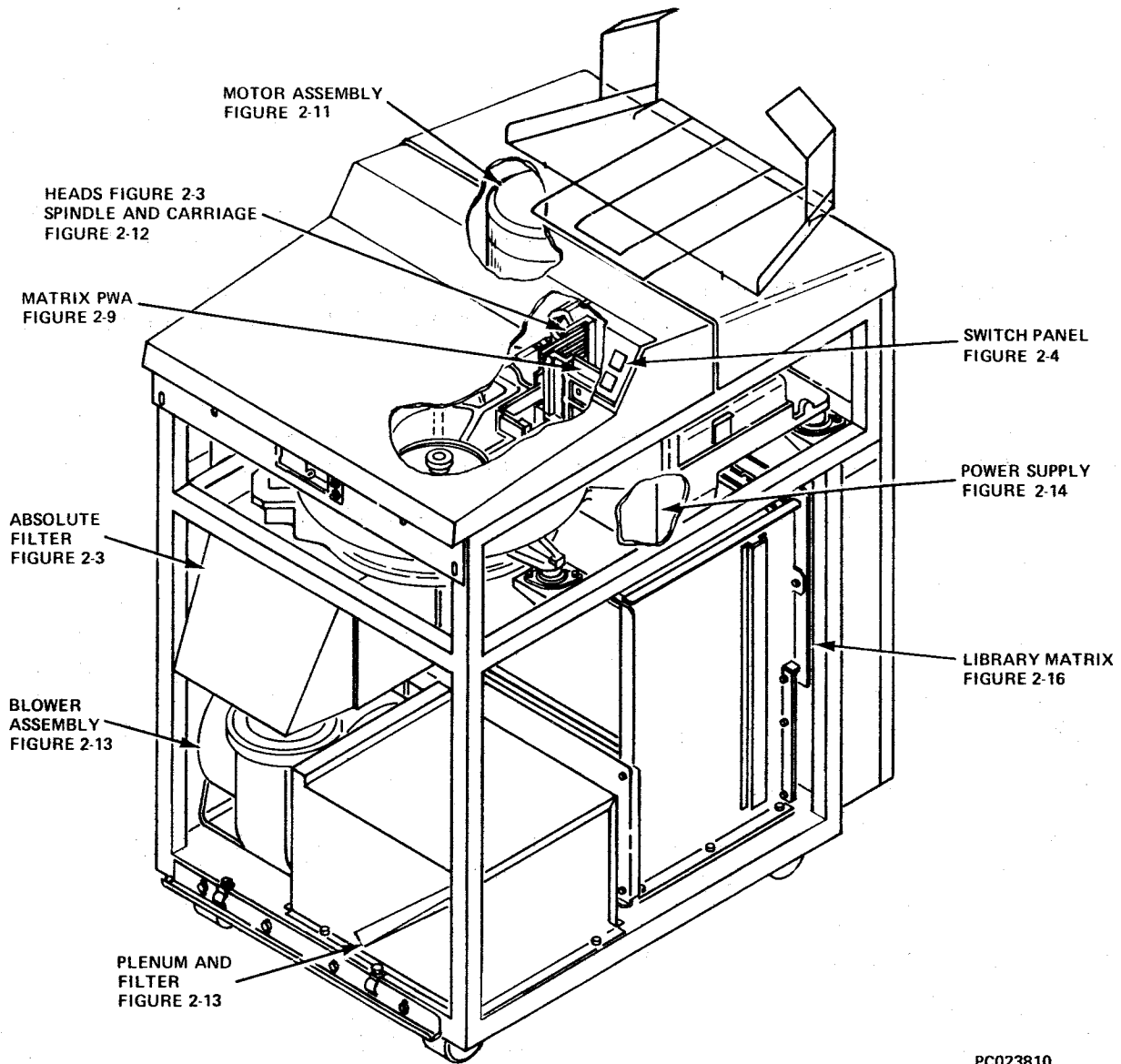
### 1.2 GROUP ASSEMBLY PARTS LIST

The following group assembly parts lists and illustrations contain a breakdown of assemblies, listed in order of disassembly (when disassembly is significant). Optional equipment and parts are identified within appropriate lists.

### 1.3 COLUMN EXPLANATION

#### 1.3.1 "Fig. & Index" Column

This column shows the figure number of the unit breakdown and the index number which is cross-referenced to a callout on the accompanying illustration.



PC023810  
 12/76

Figure 1-1. FIGURE/ASSEMBLY LOCATOR

- a. Index numbers are not assigned to assemblies where all details of the assembly have index numbers.
- b. Where two or more assemblies are combined in a single breakdown, the same or similar items with different part numbers or quantities have the same index number.
- c. All items having an index number are illustrated.

**1.3.2 "Part Number" Column**

This column lists the Univac part number.

**1.3.3 "Ref. Des." Column**

This column shows the applicable reference designator.

**1.3.4 "Description" Column**

This column lists the name of the part followed by a description when required.

Assembly and part relationship are shown by indenture. Each separately illustrated assembly listing begins in indenture one.

Attaching parts follow and are in the same indenture as the items they attach, preceded by the words ATTACHING PARTS, and followed by a series of dashes. See example below:

FIG & INDEX	PART NO.	REF DES.	DESCRIPTION	QTY PER ASSY	USED ON CODE	REF FIG
-30	9023134-00		.SWITCH ASSY,RETRACTOR	1		
			ATTACHING PARTS			
-31	9000792-4		.SCR,BH STL 4-40X.250	2		
-32	9000799-1		.WSHR,SS PLAIN	2		
			-----			
-34	9023176-00		..BRACKET,SWITCH	1		
-35	9000223-1		..SWITCH,SNAP-ACTION	1		

Proprietary items have the words "PROPRIETARY ITEM" in parenthesis in this column. No breakdown is provided for proprietary items.

### 1.3.5 "Qty Per Assy" Column

This column designates the quantity used at that particular application of the part. Where "REF" is shown, the quantity used is shown on the figure indicated in the "REF FIG." column. Where "AR" (as required) is shown, requirement is determined by user.

### 1.3.6 "Used on Code" Column

The explanations of codes used in this column are as follows:

- A = Used on 60 HZ machines
- B = Used on 50 HZ machines

### 1.3.7 "Ref. Fig." Column

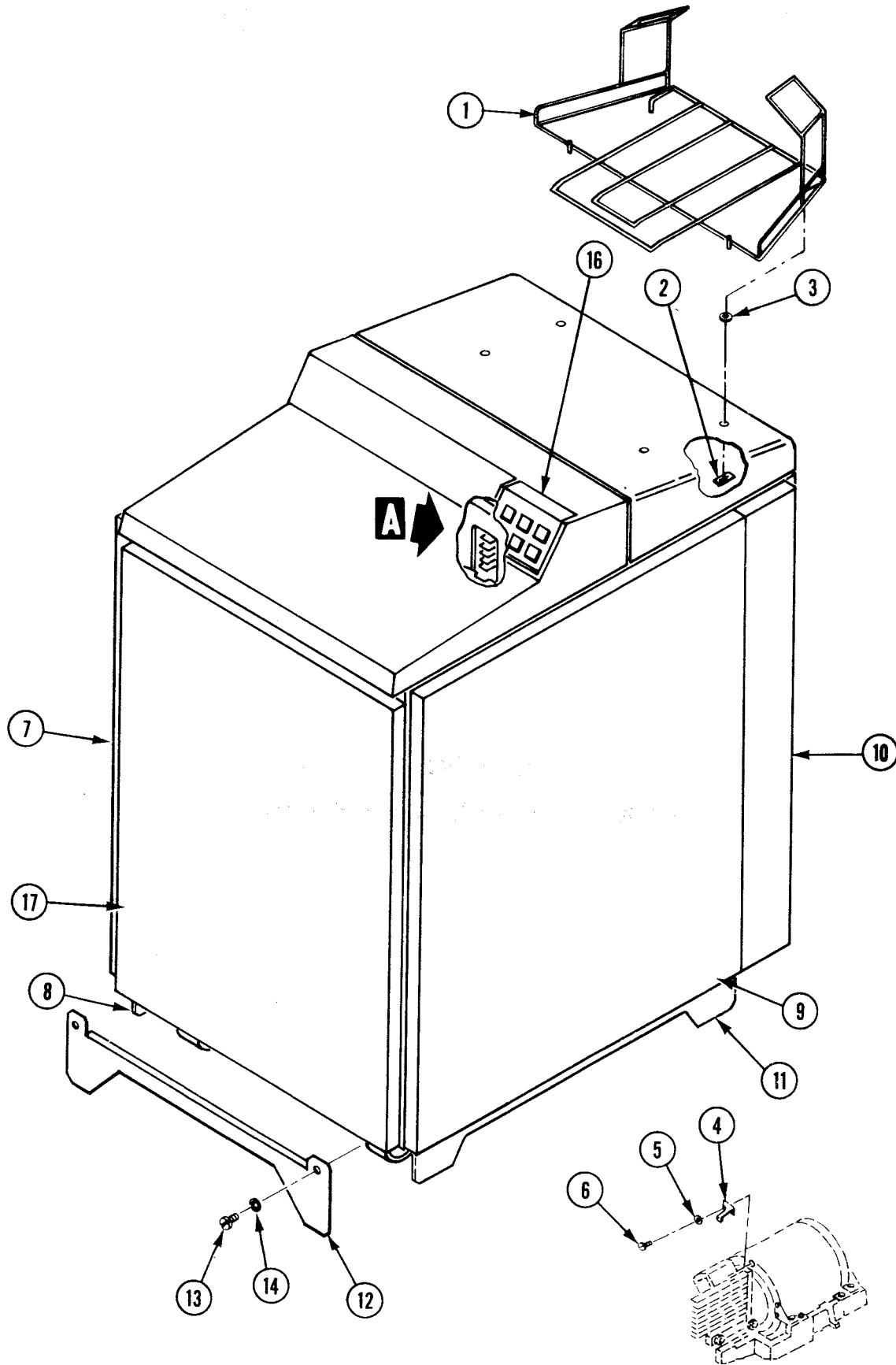
This column is used as a cross-reference between figures. A number in this column indicates the item is also shown on the figure referenced.

## 1.4 PART NUMBER INDEX

The Part Number index is a numerical index of all part numbers that appear in the Parts Lists. Part number arrangement is in numerical order, left to right. The "Fig." column indicates the figure or figures on which that part appears, the "Index" column indicates the index number, where applicable, and the "Qty" column shows the quantity used at that particular application.



**SECTION 2**  
**GROUP ASSEMBLY PARTS LIST**



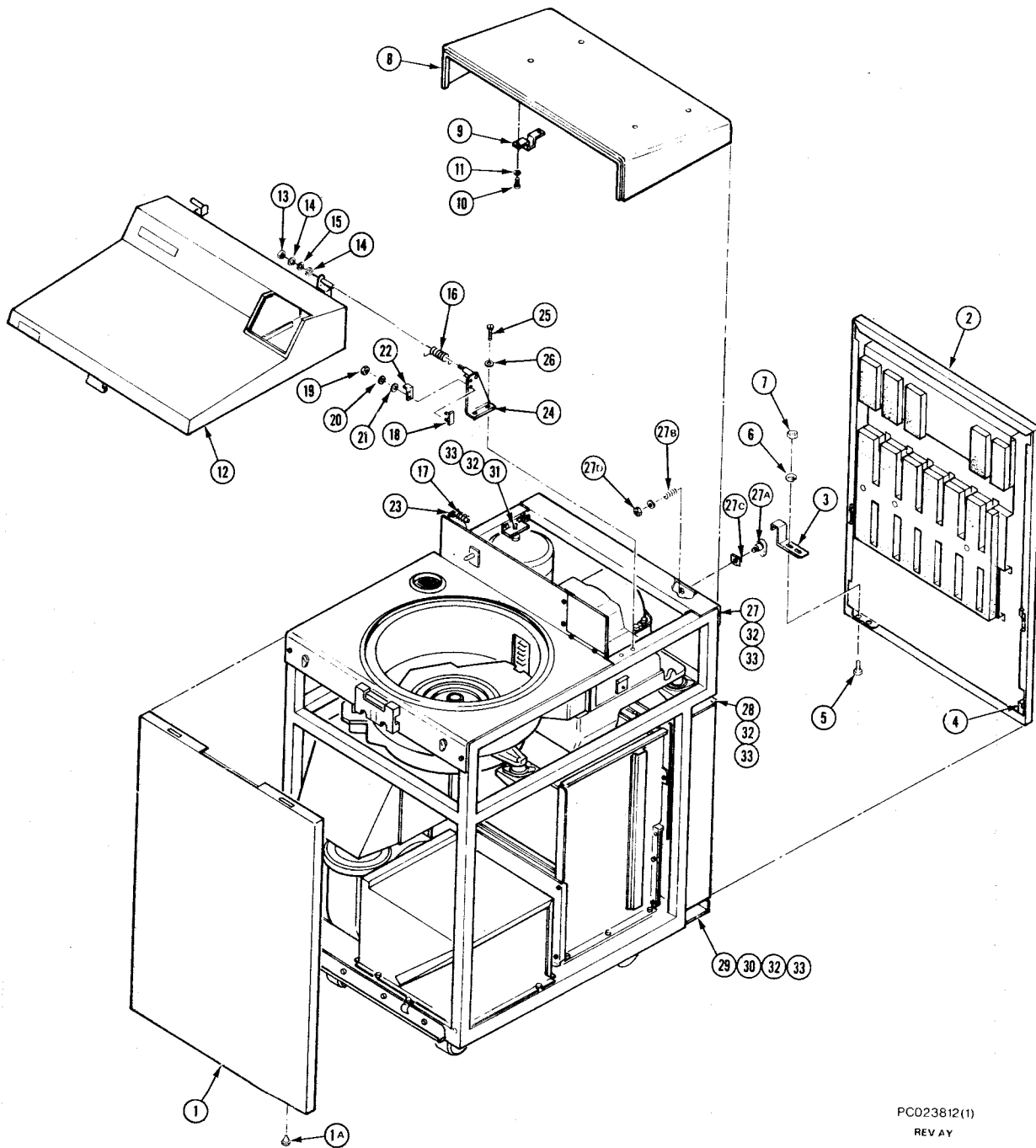
VIEW **A**

PC008418  
12/76

Figure 2-1. DISK STORAGE DRIVE

FIG & INDEX	PART NO.	REF DES.	DESCRIPTION	QTY PER ASSY	USED ON CODE	REF FIG
1-			DISK STORAGE DRIVE			
-1	9024024-01		.RACK,PACK	1		
			ATTACHING PARTS			
-2	9016274-01		.SPEEDNUT	4		
-3	3011681-00		.WSHR,NON METAL	4		
			-----			
-4	9024091-00		.BRACKET,CART LOCK	1		
			-----			
-5	9000796-04		.SCK,SOC HD STL 4-40X.250	2		
-6	9000799-04		.WSHR,SS PLAIN NO. 4	2		
			-----			
-7	9024054-00		.COVER,LEFT SIDE	1		19
-8	9024047-00		.KICKPLATE,LH	1		19
-9	9024079-00		.COVER,FRONT RIGHT SIDE	1		19
-10	9024080-00		.COVER,REAR RIGHT SIDE	1		19
-11	9024088-00		.KICKPLATE,RH	1		19
-12	9024043-00		.KICKPLATE,FRONT	1		19
			ATTACHING PARTS			
-13	9004763-06		.SCR,SFTPG HEX HD STL 10-32X.375	2		
-14	3003505-00		.WSHR,SPR TENS	2		
			-----			
-15			.DELETED			
			.DELETED			
-16	9024111-00		.PANEL ASSY,SWITCH (H-DENSITY)	1		4
	9024117-00		.PANEL ASSY,SWITCH (L-DENSITY)	1		4
-17	9023812-XX		.MACHINE ASSY,DRIVE	1		2
	9023656-01		.PWA,TERMINATOR (OPTION)	1		
	9023657-01		.PWA,RIBBON INTERCONN (OPTION)	1		

177.07.082879



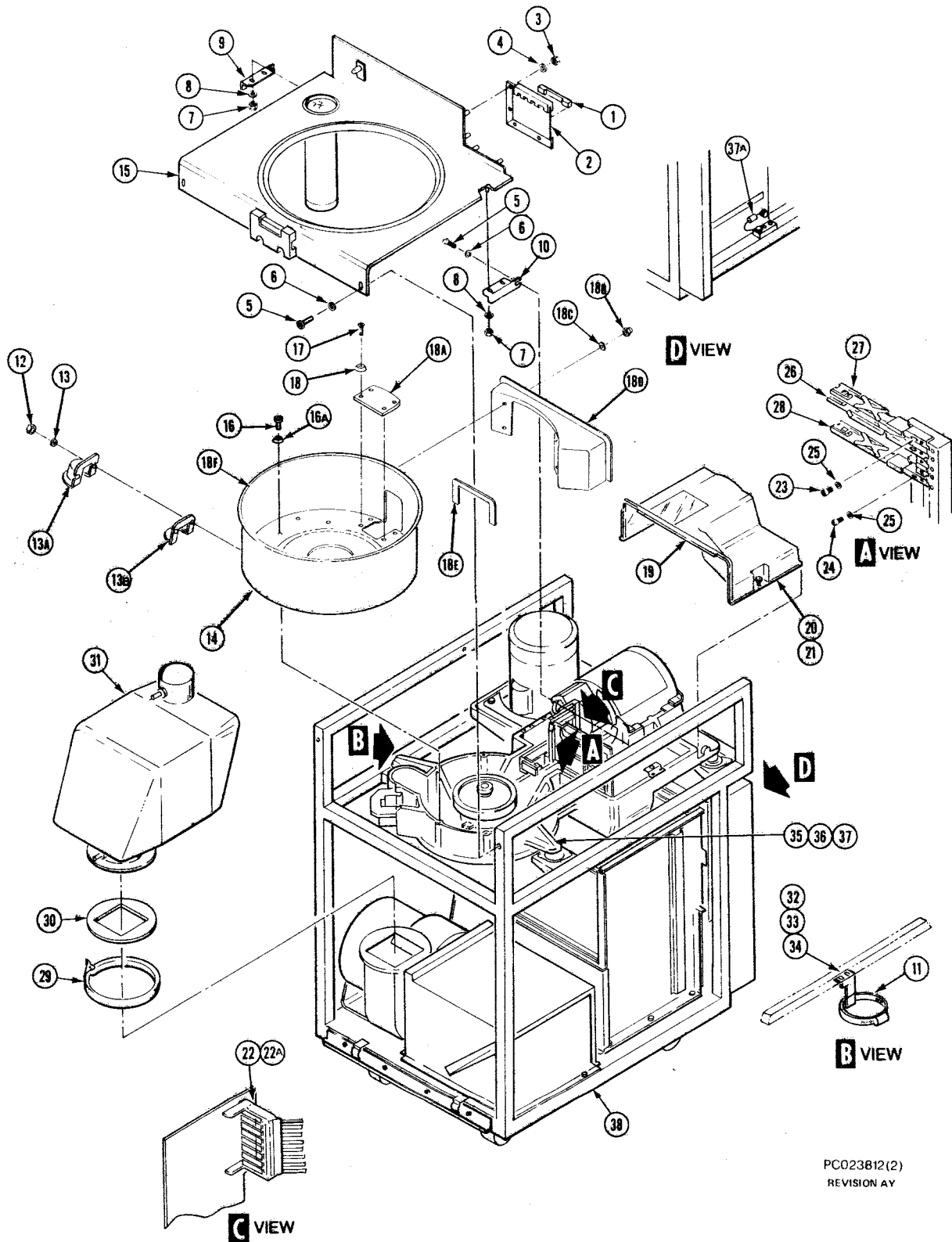
PC023812(1)  
REV AY

Figure 2-2. DRIVE MACHINE ASSEMBLY

FIG & INDEX	PART NO.	REF DES.	DESCRIPTION	QTY PER ASSY	USED ON CODE	REF FIG
2-	9023812-00		MACHINE ASSY,60 HZ DISK DRIVE (PL REV AY)	REF	A	1
	9023812-01		MACHINE ASSY,50 HZ DISK DRIVE	REF	B	1
-1	9025098-01		.PANEL,FRONT	1		
-1A	9001085-01		..BUMPER,RUBBER	2		
-2	9025342-01		.PANEL ASSY,REAR	1		
-3	9024081-00		..MOUNT,ACCESS PANEL RH	1		
-4	9024082-00		..MOUNT,ACCESS PANEL LH	1		
			ATTACHING PARTS			
-5	9004763-06		..SCR,SFTPG HEX HD STL 10-32X.375	4		
-6	3003505-00		..WSHR,SPR TENS NO. 10	4		
-7	9000783-10		..NUT,HEX	4		
			-----			
-8	9023733-01		.COVER,TOP REAR	1		
-9	9023918-00		.BRACKET,REAR COVER	2		
			ATTACHING PARTS			
-10	9004763-06		.SCR,SFTPG HEX HD STL 10-32X.375	4		
-11	3003505-00		.WSHR,SPR TENS NO. 10	4		
			-----			
-12	9025726-01	A4	.COVER ASSY,TOP FRONT	1		5
			ATTACHING PARTS			
-13	4917170-04		.NUT,SLF LKG	2		
-14	3011681-14		.WSHR,NON-METALLIC	4		
-15	3006031-02		.WSHR,SPR TENS	2		
-16	9024035-02		.SPRING,TORSION RH	1		
-17	9024036-02		.SPRING,TORSION LH	1		
			-----			
-18	9024203-00		.PLATE,STUD	2		
-19	9000783-10		.NUT,HEX NO. 10	4		
-20	9000788-04		.LKWSHR,EXT T NO. 10	4		
-21	9000786-08		.WSHR,FLAT NO. 10	4		
-22	9024033-00		.STOP,HINGE	2		
-23	9024030-00		.MOUNT,HINGE LH	1		
-24	9024029-00		.MOUNT,HINGE RH	1		
			ATTACHING PARTS			
-25	9004763-06		.SCR,SFTPG HEX HD STL 10-32X.375	8		
-26	3003505-00		.WSHR,SPR TENS NO. 10	8		
			-----			
			177.08.082879			







PC023812(2)  
REVISION AY

Figure 2-3. DRIVE MACHINE ASSEMBLY (Continued)



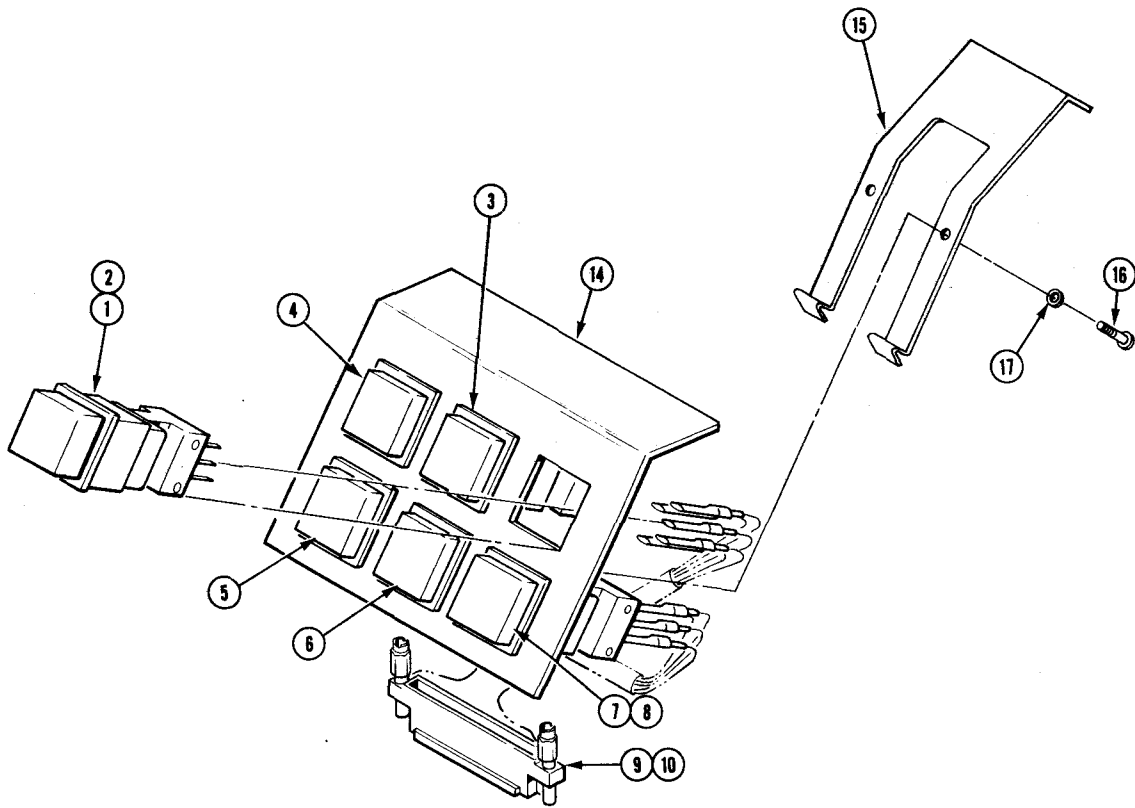
FIG & INDEX	PART NO.	REF DES.	DESCRIPTION	QTY PER ASSY	USED ON CODE	REF FIG
3-	9023812-XX		MACHINE ASSY,DRIVE (CONT)	REF		1
-1	3013598-01		.STRAP,RETAINING	1		
-2	9023914-01		.COVER,ACCESS	1		
			ATTACHING PARTS			
-3	9000783-04		.NUT,HEX	4		
-4	9000788-01		.LKWSHR,EXT T	4		
			-----			
-5	9004763-06		.SCR,SLF-TPG HEX HD STL 10-32X.375	4		
-6	3003505-00		.WSHR,SPR TENS NO. 10	4		
-7	9000783-10		.NUT,HEX NO. 10	4		
-8	9000788-04		.LKWSHR,EXT T NO. 10	4		
-9	9023977-01		.BRACKET,SHROUD COVER LH	1		
-10	9023977-00		.BRACKET,SHROUD COVER RH	1		
-11	3154842-07		.CLAMP,DUCT	1		
-12	9003362-03		.NUT,FLEX LOCK	2		
-13	9000786-06		.WSHR,FLAT	2		
-13A	9025335-00		.COVER,PACK LOCK	1		
-13B	9025336-00		.GASKET,PACK LOCK COVER	1		
-14	9800318-00		.O-RING,PREFORMED	1		
-15	9023829-00	A7	.COVER ASSY,SHROUD	1		6
-16	9000765-06		.SCR,BH STL 4-40X.375	7		
-16A	9800195-00		.WSHR,NYLON	7		
	9025337-00		.SHROUD AND EMA COVER ASSY	1		
-17	9000765-06		..SCR,FLT-HD 4-40X.375	4		
-18	9800195-00		..WSHR,NYLON	4		
-18A	9024382-00		..PLATE,ACCESS	1		
-18B	9003362-03		..NUT,FLEX LOCK	4		
-18C	9000786-06		..WSHR,FLAT .170 ID	4		
-18D	9024383-00		..COVER,EMA	1		
-18E	9025327-00		..GASKET,EMA COVER	1		
-18F	9024381-00		..SHROUD	1		
-19	9023784-01		.COVER ASSY,EMA REAR	1		
-20	9000829-02		..PLUNGER,SNAP-ACTION	2		
-21	9000830-02		..GROMMET,SNAP-ACTION	2		
-22	9023318-00		.RETAINER ASSY,HEAD	1		
-22A	9800339-01		..STRIP,RUBBER .250X.375	1		
	9023164-00		..RETAINER,CONNECTOR	1		
-23	9000796-10		.SCR,SOCHD STL 4-40X.625	7		
-24	9000792-10		.SCR,BH STL 4-40X.625	1		
-25	9006766-01		.WSHR,SS NO. 4	8		
	9026394-01		.HEAD KIT	1		
-26	9026382-02	A3PU2, 4,6,8	..HEAD/ARM ASSY,A UP ✓	4		
-27	9026383-02	A3PU1, 3,7	..HEAD/ARM ASSY,A DOWN ✓	3		
-28	9026391-02	A3PU5	..HEAD/ARM ASSY,SERVO ✓	1		
-29	9800282-01		.CLAMP,FILTER	1		
			177.10.091479			



FIG & INDEX	PART NO.	REF DES.	DESCRIPTION	QTY PER ASSY	USED ON CODE	REF FIG
3-30	9023873-00		.GASKET,BLOWER OUTLET	1		
-31	9023757-00		.FILTER,ABSOLUTE	1		
-32	9024218-00		.BRACKET,DUCT	1		
			ATTACHING PARTS			
-33	9004763-06		.SCR,SFTPG HEX HD 10-X.375	2		
-34	3003505-00		.WSHR,SPR TENS NO. 10	2		
-35	9023778-XX		.BASEPLATE ASSY	1		9
			ATTACHING PARTS			
-36	9000780-24		.SCR,HEX HD STL .375-16X1.500	4		
-37	9000789-38		.WSHR,CS HEL SPR .393 ID	4		
			-----			
-37A	9024253-00		.CAPACITOR ASSY,DECOUPLING	1		
	4916657-06		..CAP.,50 VDC 0.1 UF +80 -20%	1		
-38	9023813-XX		.FRAME ASSY,DRIVE	1		13
			SEE FIGURE 2-2 FOR ADDITIONAL DETAILS			

177.11.082879





PC0024111  
REV K

Figure 2-4. SWITCH PANEL ASSEMBLY

FIG & INDEX	PART NO.	REF DES.	DESCRIPTION	QTY PER ASSY	USED ON CODE	REF FIG
4-	9024111-00*	A4A2	PANEL ASSY, SWITCH HIGH DENSITY (PL REV M)	REF		1
	9024117-00	A4A2	PANEL ASSY, SWITCH LOW DENSITY	REF		1
-1	4914177-02		.LAMP, 28V 0.04 AMP	5		
-2	3013438-07	S3	.SW, PUSH ILLUM RED (STOP)	1		
-3	3013438-01	S2	.SW, PUSH ILLUM GREEN (RUN)	1		
-4	3013438-00	S1	.SW, PUSH ILLUM WHITE (ON/OFF)	1		
-5	3013439-00	DS1	.LIGHT, IND RED (DEVICE CHECK)	1		
-6	3013438-08	S4	.SW, PUSH ILLUM YELLOW (FILE PROTECT)	1		
-7	4914177-02		.LAMP, 28V 0.04 AMP (USED ON 9024111-XX)	1		
-8	3013438-09	S5	.SW, PUSH ILLUM WHITE (LOW DENSITY) USED ON 9024111-XX	1		
-9	9023687-00		.HARNASS ASSY, CONTROL PANEL	1		18
-10	9800272-01	P1	..CONNECTOR, ELEC	1		
-11			..DELETED			
-12			..DELETED			
-13			..DELETED			
-14	9024311-00		.PANEL, SWITCH MTG (USED ON 9024111-XX)	1		
	9024311-01		.PANEL, SWITCH MTG (USED ON 9024117-00)	AR		
-15	9024310-00		.SPRING, RETAINING	1		
-16	9015911-06		.SCR, SFTPG, PAN HD, 6-19	2		
-17	9000786-04		.WASHER, FLAT .156 ID	2		
			*FEATURE F2198-00			
			177.12.082879			



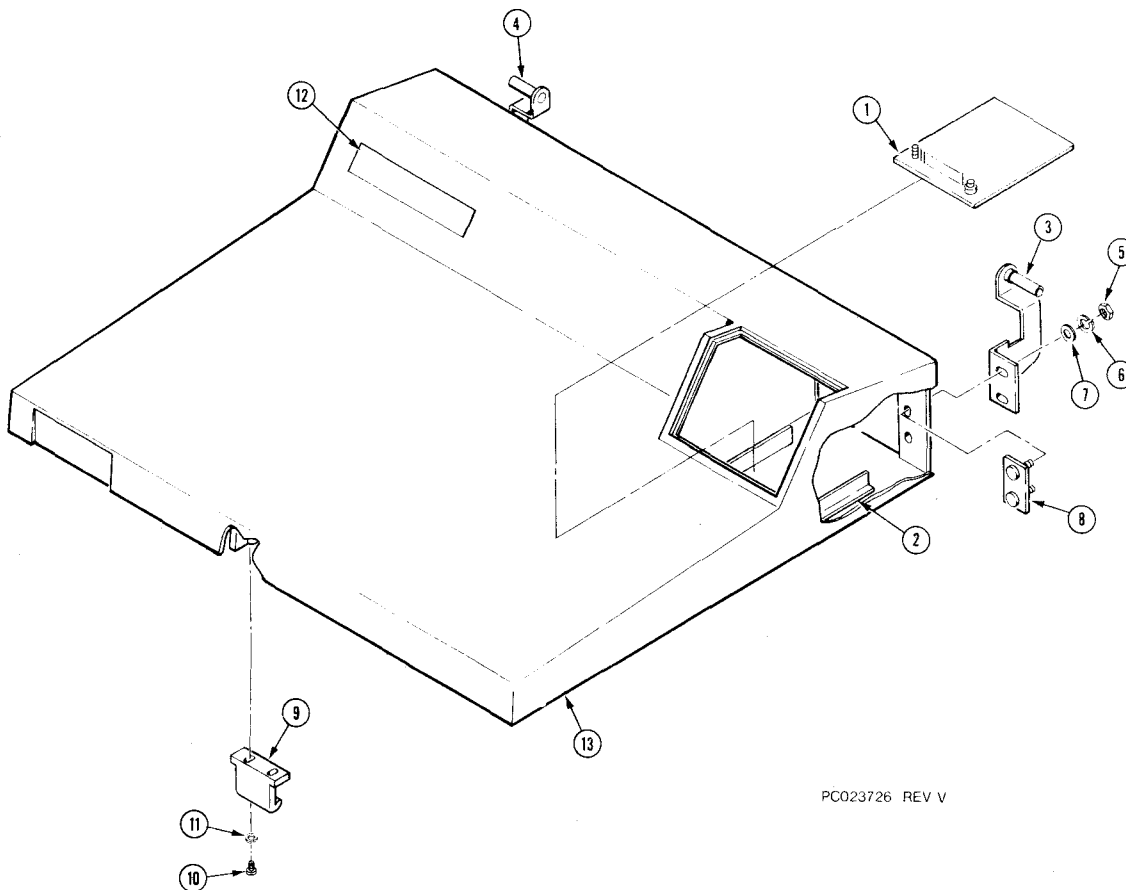
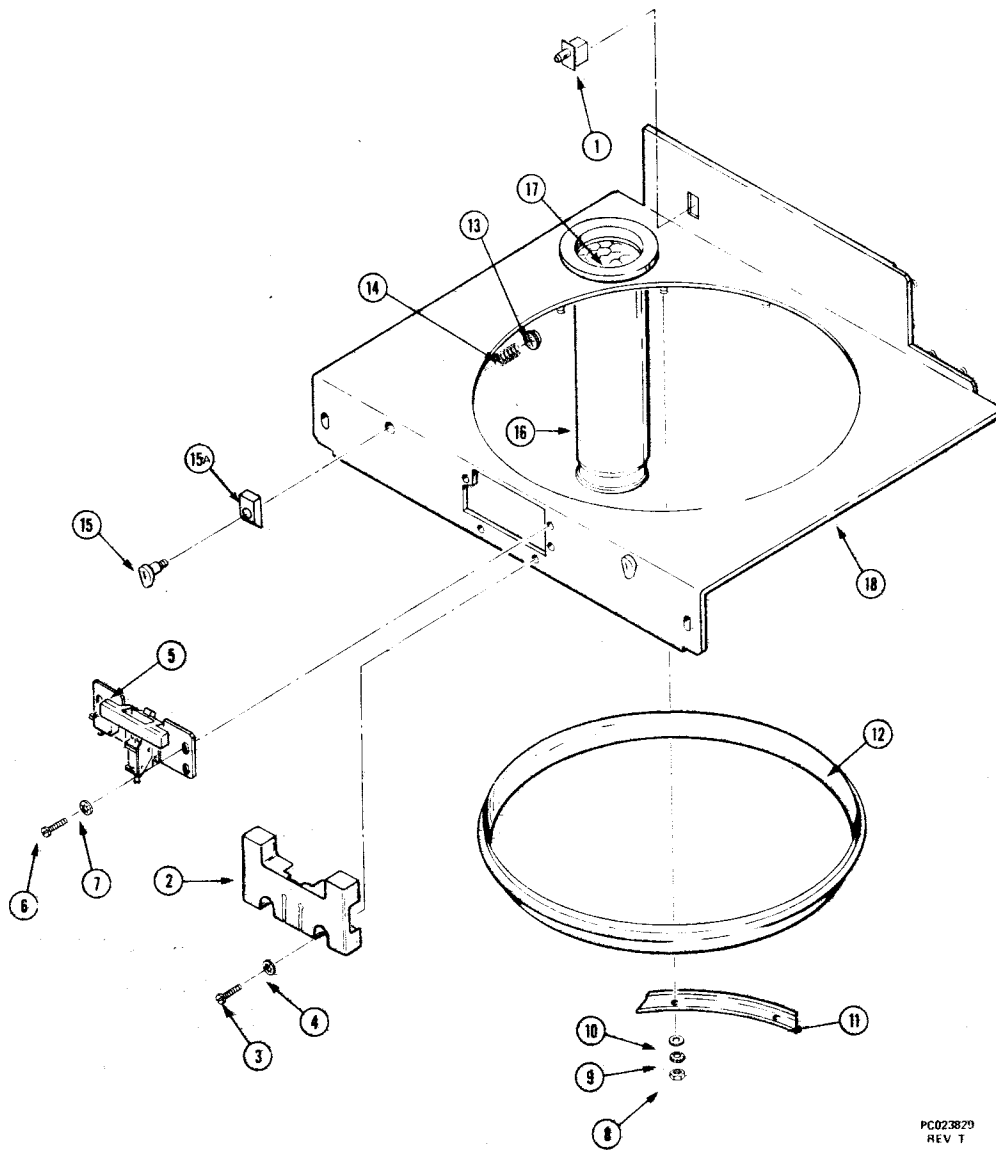


Figure 2-5. TOP COVER ASSEMBLY

FIG & INDEX	PART NO.	REF DES.	DESCRIPTION	QTY PER ASSY	USED ON CODE	REF FIG
5-	9023726-01	A4	COVER ASSY, TOP FRONT (PL REV Z)	REF		2
-1	9700722-00	A4A1	.PWA, OPERATOR CONTROL	1		
-2	9023976-00		.HOLD DOWN, PWA	2		
-3	9024031-01		.HINGE, RIGHT	1		
-4	9024032-01		.HINGE, LEFT	1		
			ATTACHING PARTS			
-5	9004415-05		.NUT, HEX NO. 10	4		
-6	3003505-00		.WSHR, SPR TENS NO. 10	4		
-7	9000786-08		.WSHR, STL PLAIN NO. 10	4		
-8	9024011-00		.MOUNT, HINGE	2		
			-----			
-9	9024193-00		.CATCH, LATCH	1		
			ATTACHING PARTS			
-10	9004763-06		.SCR, SFTPG HEX HD STL 10.32X.375	2		
-11	3003505-00		.WSHR, SPR TENS NO. 10	2		
			-----			
-12	3190420-01		.LOGO, SPERRY-UNIVAC	1		
-13	9023727-02		.COVER, TOP FRONT	1		
			177.13.082879			



PC023820  
REV T

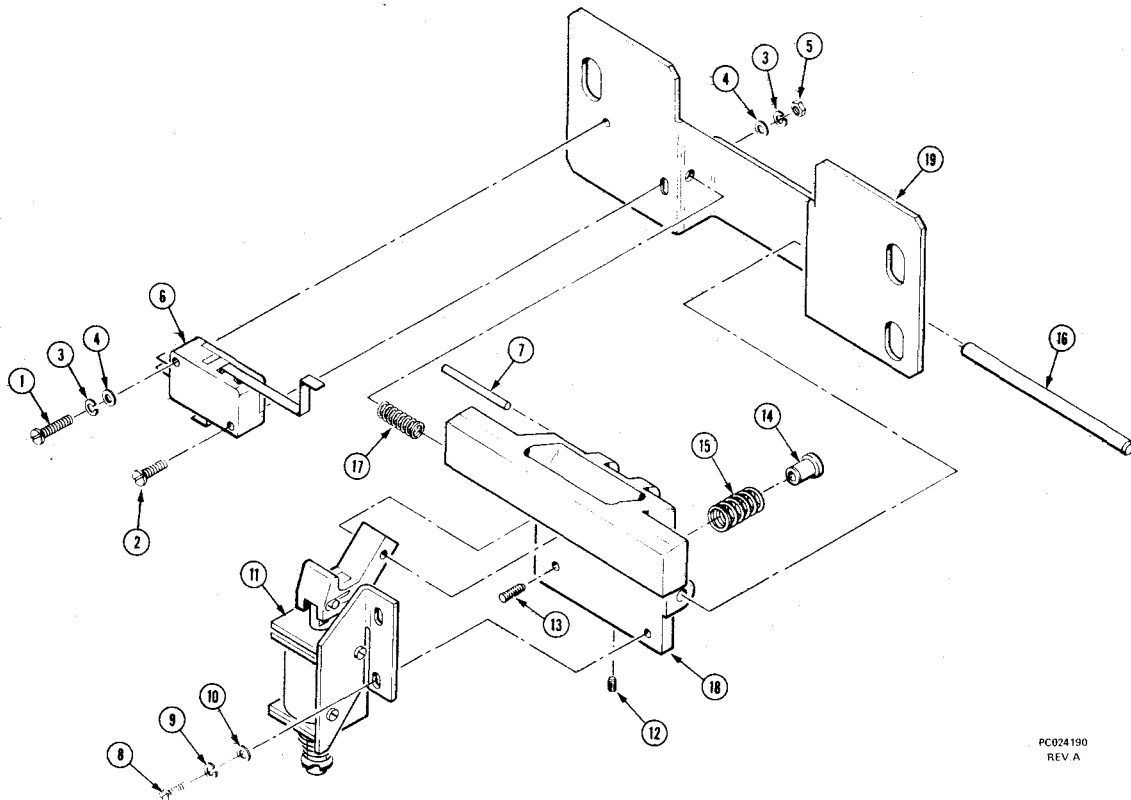
Figure 2-6. SHROUD COVER ASSEMBLY



FIG & INDEX	PART NO.	REF DES.	DESCRIPTION	QTY PER ASSY	USED ON CODE	REF FIG
6-	9023829-00	A7	COVER ASSY,SHROUD (PL REV C)	REF		3
-1	9800418-00	A7S1	.SWITCH,SPST SENSITIVE	1		
-2	9024196-00		.COVER,LATCH	1		
			ATTACHING PARTS			
-3	9004763-06		.SCR,SFTPG HEX HD STL 10-32X.375	2		
-4	3003505-00		.WSHR,SPR TENS NO. 10	2		
			-----			
-5	9024190-00	A7A1	.LATCH ASSY,SHROUD COVER	1		7
			ATTACHING PARTS			
-6	9004763-06		.SCR,SFTPG HEX HD STL 10-32X.375	3		
-7	3003505-00		.WSHR,SPR TENS NO. 10	3		
			-----			
-8	9000783-04		.NUT,HEX 4-40	12		
-9	9000788-01		.LKWHR,CS EXT T NO. 4	12		
-10	9000786-02		.WSHR,STL PLAIN NO. 4	12		
-11	9023822-00		.CLAMP,SEAL	6		
-12	9024184-00		.SEAL,SHROUD	1		
-13	9800427-00		.NUT,PUSH ON	2		
-14	3007435-53		.SPRING,COMPRESSION	2		
-15	9024222-00		.LATCH,PAWL	2		
-15A	9026872-00		.BRACKET,LATCH	2		
-16	9024114-00		.SEAL,DUCT TRANSITION	1		
-17	9023516-00		.SCREEN,PROTECTOR	1		
-18	9023724-01		.COVER,SHROUD	1		

177.14.082879





PC024190  
REV A

Figure 2-7. SHROUD COVER LATCH ASSEMBLY

FIG & INDEX	PART NO.	REF DES.	DESCRIPTION	QTY PER ASSY	USED ON CODE	REF FIG
7-	9024190-00	A7A1	LATCH ASSY,SHROUD COVER (PL REV A)	REF		6
-1	9000753-10		.SCR,BDG HD STL 4-40X.625	1		
-2	9000753-12		.SCR,BDG HD STL 4-40X.750	1		
-3	9000789-04		.LKWSHR,CS HEL SPR	2		
-4	9000786-02		.WSHR,FLAT STL	2		
-5	9000783-04		.NUT,HEX 4-40	1		
-6	9024207-00	S1	.SWITCH,MODIFIED	1		
-7	9000906-16		.DOWEL,SS NONMAGNETIC 3/32	1		
-8	9000753-05		.SCR,BDG HD STL 4-40X.312	2		
-9	9000789-04		.LKWSHR,CS HEL SPR	2		
-10	9000786-02		.WSHR,FLAT STL	2		
-11	9024208-00	L1	.SOLENOID ASSY	1		8, 18
-12	9001174-01		.SETSCREW,SOC HD STL 8-32X.500	1		
-13	9000371-01		.SETSCREW,FLT HD STL 8-32X.750	1		
-14	2899914-01		.INSULATOR,BUSHING NYLON NO. 10	2		
-15	3007435-22		.SPRING,COMPRESSION	2		
-16	9024210-00		.SHAFT,PIVOT .187X2.380	1		
-17	3007435-47		.SPRING,COMPRESSION	1		
-18	9024192-00		.HANDLE,RELEASE	1		
-19	9024191-00		.MOUNT,LATCH	1		

177.15



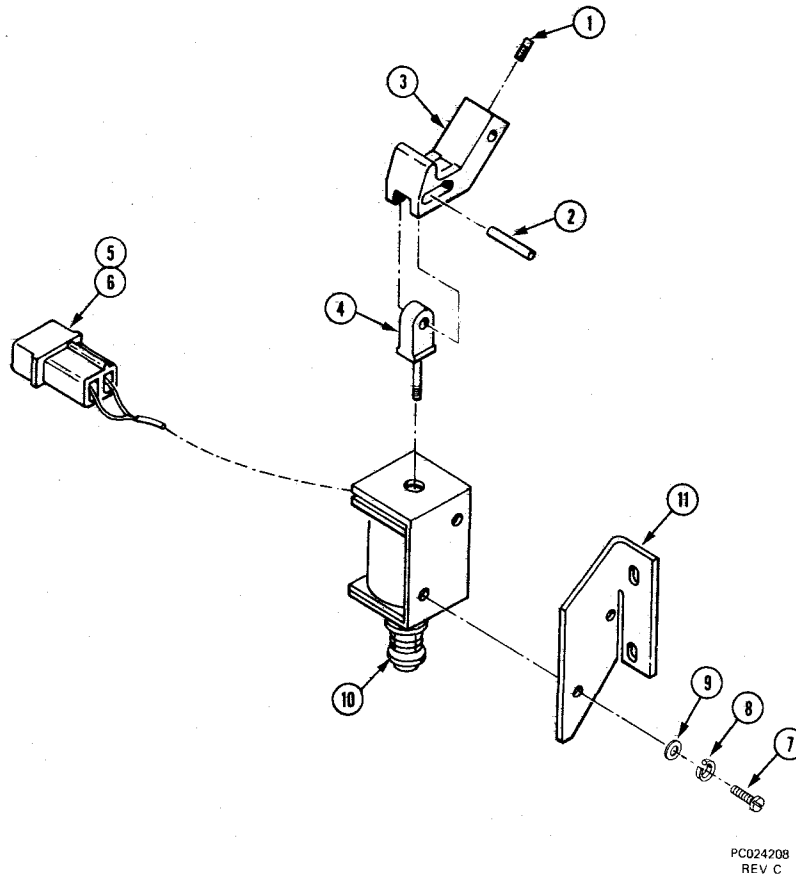
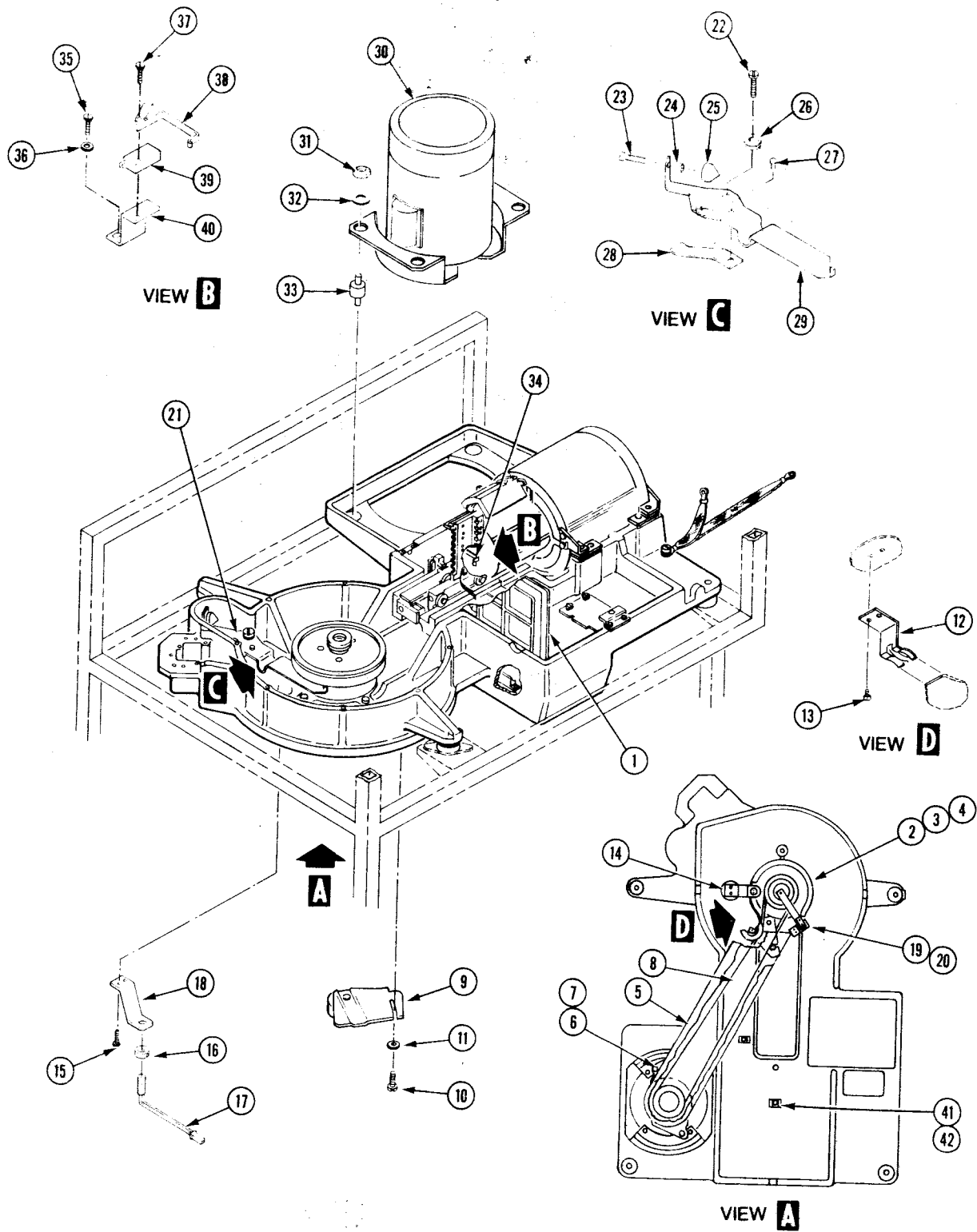


Figure 2-8. LATCH SOLENOID ASSEMBLY

FIG & INDEX	PART NO.	REF DES.	DESCRIPTION	QTY PER ASSY	USED ON CODE	REF FIG
8-	9024208-00	A7A1L1	SOLENOID ASSEMBLY,LATCH (PL REV K)	REF		8, 18
-1	4915022-01		.SETSCREW,SLFLKG HEX SKT 8-32X.188	1		
-2	4913003-02		.DOWEL,3/32X.500	1		
-3	9024197-00		.LOCK,LATCH	1		
-4	9024195-00		.PIN,CLEVIS	1		
-5	9003682-03		.PIN,CONTACT	2		
-6	3007430-00	A7A1P1	.HOUSING,PIN	1		
-7	9000753-03		.SCR,BIND. HD 4-40X.188	2		
-8	9000789-04		.LKWSHR,HEL SPR	2		
-9	9000786-02		.WSHR,FLAT STL	2		
-10	9800425-00		.SOLENOID,24 VDC 5.5W	1		
-11	9024194-00		.MOUNT,SOLENOID	1		
			177.16.082879			



PC023778(1)  
REV E

Figure 2-9. BASEPLATE ASSEMBLY

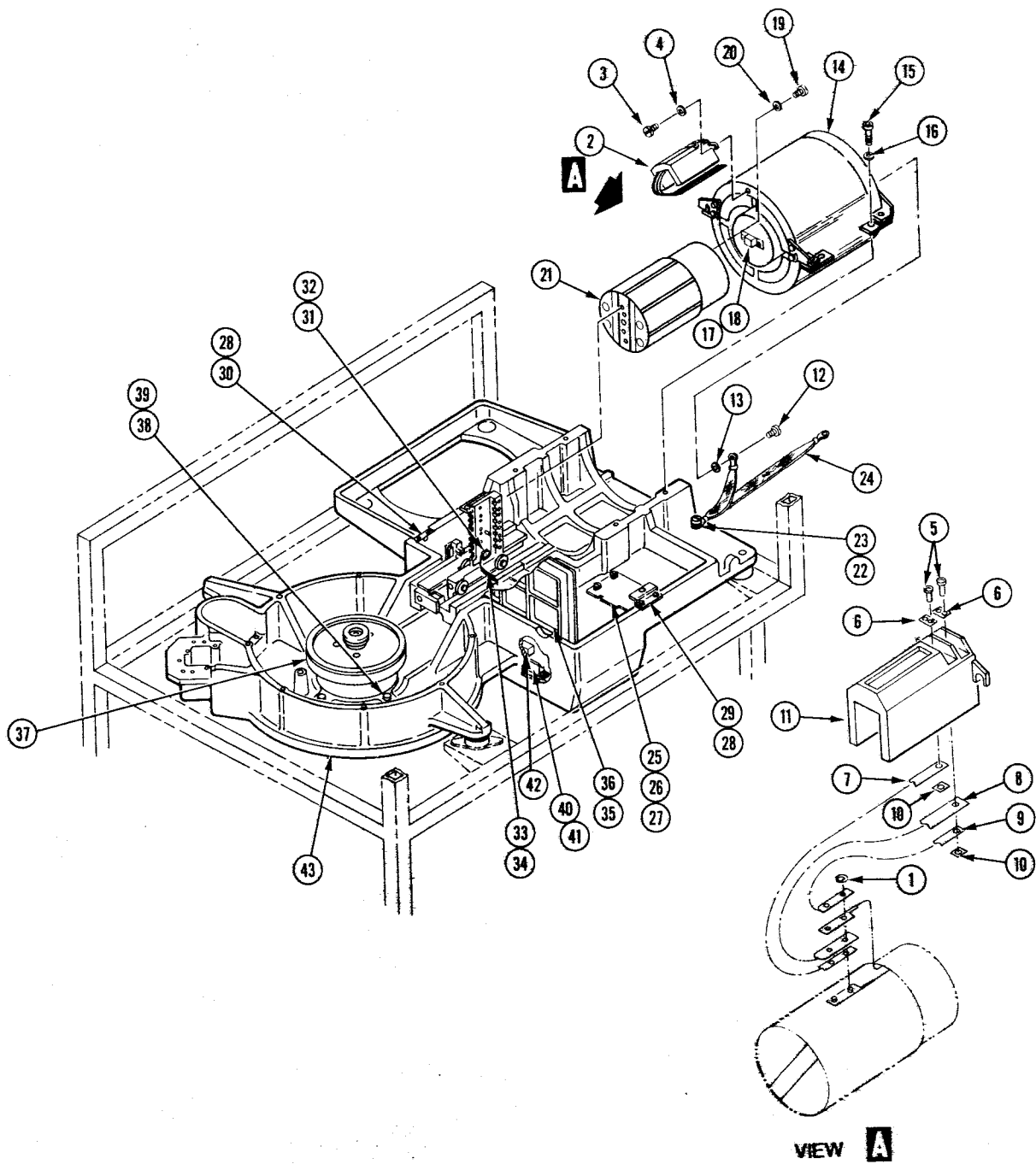
FIG & INDEX	PART NO.	REF DES.	DESCRIPTION	QTY PER ASSY	USED ON CODE	REF FIG
9-	9023778-00	A3	BASEPLATE ASSY,60 HZ DRIVE (PL REV AG)	REF	A	3
	9023778-01	A3	BASEPLATE ASSY,50 HZ DRIVE	REF	B	3
-1	9700752-01	A3A3	.PWA,MATRIX	1		
-2	9023209-01		.GUARD,BELT	1		
			ATTACHING PARTS			
-3	9004762-05		.SCR,SFTPG HEX HD STL 8-32X.312	3		
-4			.DELETED			
			-----			
-5	9023933-01		.GUARD,BELT	1		
			ATTACHING PARTS			
-6	3010589-08		.STUD,FRICITION CATCH	2		
-7	3010588-01		.RECEPTACLE	2		
			-----			
-8	9001856-07		.BELT,SPINDLE FLAT (60 HZ DRIVE)	1	A	
	9001856-08		.BELT,SPINDLE FLAT (50 HZ DRIVE)	1	B	
-9	9023133-02		.PULLEY ASSY,IDLER	1		
			ATTACHING PARTS			
-10	4912852-00		.SCR,SOC HD STL .250-20X.500	2		
-11	9000786-10		.WSHR,STL PLAIN .265 ID	2		
			-----			
-12	9024015-00		.CLAMP,BELT GUARD	1		
			ATTACHING PARTS			
-13	9000753-03		.SCR,BH STL 4-40X.188	2		
			-----			
-14	9023130-00	A3A5	.SPEED SENSOR ASSY	1		18
			ATTACHING PARTS			
-15	9000753-05		.SCR,BH STL 4-40X.312	2		
			-----			
-16	9006541-01		..NUT,KNURLED	1		
-17	9006965-01		..MAGNETIC PICK-UP ASSY	1		
-18	9023166-00		..BRACKET,SPEED SENSOR	1		
-19	9000268-03	A3S1	.PACK-ON SWITCH ASSY	1		
			ATTACHING PARTS			
-20	9000755-05		.SCR,BH STL 8-32X.312	2		
			-----			
-21	9023129-00		.PACK LOCK ASSY	1		
			177.17.082879			





FIG & INDEX	PART NO.	REF DES.	DESCRIPTION	QTY PER ASSY	USED ON CODE	REF FIG
9-22	3010645-05		ATTACHING PARTS .SCR,SHLDR SOCHD STL .250-20X.438 -----	2		
-23	9006540-10		..SCR,BH SST 10-32X.625	1		
-24	9000798-10		..NUT,HEX NO. 10	1		
-25	9023165-00		..CONTACT, CONE	1		
-26	9000881-02		..BEARING,SNAP IN NYLON	2		
-27	9004692-12		..RIVET,SEMITUBULAR	1		
-28	9006250-02		..SPRING,TAB	1		
-29	9006249-04		..ARM,PACK LOCK	1		
-30	9023773-00	A3A4	.MOTOR ASSY,60 HZ	1	A	11
	9023773-01	A3A4	.MOTOR ASSY,50 HZ	1	B	11
			ATTACHING PARTS			
-31	9000784-25		.NUT,HEX JAM	4		
-32	9000789-25		.WSHR,CS HEL SPR .263 ID	4		
-33	9000496-01		.SHOCKMOUNT -----	4		
-34	9023134-00	A3S3	.SWITCH ASSY,RETRACTOR	1		
			ATTACHING PARTS			
-35	9000792-04		.SCR,BH STL 4-40X.250	2		
-36	9006766-01		.WSHR,SS PLAIN -----	2		
-37	9000753-08		..SCR,BDG HD 4-40X.500	2		
-38	9023176-01		..BRACKET,SWITCH	1		
-39	9000223-01		..SWITCH,SNAP-ACTION	1		
-40	9023175-00		..BRACKET,SW MTG	1		
-41	9000792-04		.SCR,BDG HD STL 4-40X.250	2		
-42	3156581-03		.MOUNT,CABLE TIE	2		
			SEE FIGURE 2-10 FOR ADDITIONAL DETAILS			

177.18.082879



PC023778(2)  
REV E

Figure 2-10. BASEPLATE ASSEMBLY (Continued)

FIG & INDEX	PART NO.	REF DES.	DESCRIPTION	QTY PER ASSY	USED ON CODE	REF FIG
10-	9023778-XX	A3	BASEPLATE ASSEMBLY (CONT)	REF		3
-1	9023217-01		.RING,RETAINING EXT BOWED	2		
-2	9023136-00		.FLEX LEAD ASSY	1		
			ATTACHING PARTS			
-3	9000794-06		.SCR,BH STL 8-32X.375	2		
-4	9000799-06		.WSHR,STL PLAIN NO. 8	2		
			-----			
-5	9006280-01		..EYELET	2		
-6	9006282-01		..WSHR,CONDUCTIVE	2		
-7	9006277-04		..FLEX CONDUCTOR,EMA 5.55X5.300	1		
-8	9006275-03		..INSULATOR,FLEX LEAD	1		
-9	9006277-05		..FLEX CONDUCTOR,EMA 5.80X5.550	1		
-10	9006281-01		..WASHER,BACKING	2		
-11	9023181-00		..HOUSING,FLEX LEAD	1		
-12	9000756-05		.SCR,BH STL 10-32X.312	1		
-13	9000788-04		.LKWSHR,EXT T NO. 10	1		
-14	9023138-00	A3A1	.MAGNET ASSEMBLY (EMA)	1		
			ATTACHING PARTS			
-15	9000755-10		.SCR,BDG HD STL 8-32.625	4		
-16	9000786-10		.WSHR,STL PLAIN .265 ID	4		
			-----			
-17	9000753-04		..SCR,BH 4-40X.250	2		
-18	9023187-01		..BUMPER ASSY	1		
-19	4915978-05		.SCR,SOCHD STL 4-40X.438	4		
-20	9006766-01		.WSHR,SS PLAIN .117 ID	4		
-21	9023135-00		.COIL ASSY	1		
-22	9000757-06		.SCR,BH STL .250-20X.375	1		
-23	9000788-05		.LKWSHR,EXT T .267 ID	1		
-24	9023695-00		.STRAP,EMA GND	1		
-25	9000753-05		.SCR,BH STL 4-40X.250	4		
-26	9000786-03		.WSHR,PLAIN .125 ID	4		
-27	9023782-01		.PLATE,STRAIN RELIEF	1		
-28	9000765-04		.SCR,FLTHD STL 4-40X.250	6		
-29	9024073-00		.RETAINER,LATCH	2		
-30	9023786-00		.RETAINER,CABLE	1		
-31	9000792-03		.SCR,BH STL 4-40X.188	1		
-32	9023477-02		.CLAMP,CABLE	1		
-33	9000792-04		.SCR,BH STL 4-40X.250	2		
-34	9023352-00	A3E2	.GROUND ASSY,CARRIAGE	1		
-35	9023789-01		.TOWER,CAM	1		
			ATTACHING PARTS			
-36	9000753-05		.SCR,BH STL 4-40X.312	4		
			-----			

177.19.082879







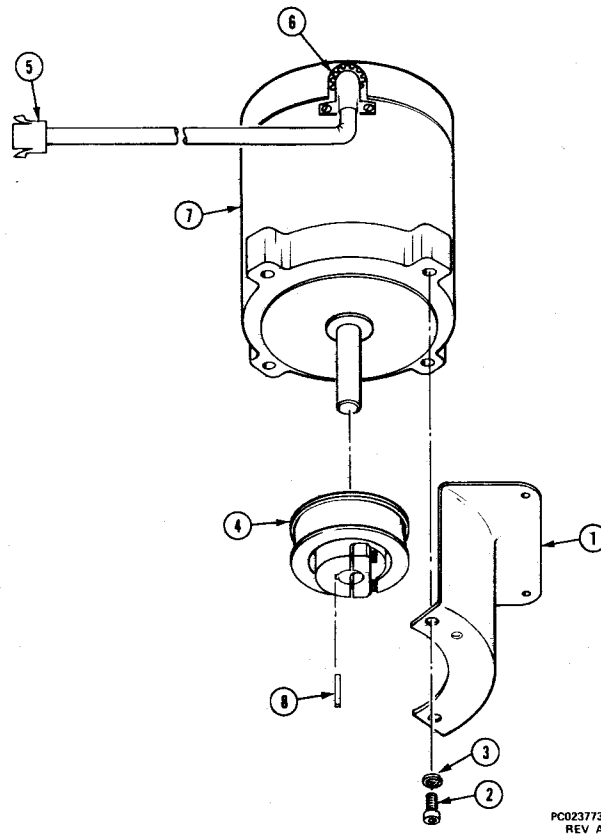
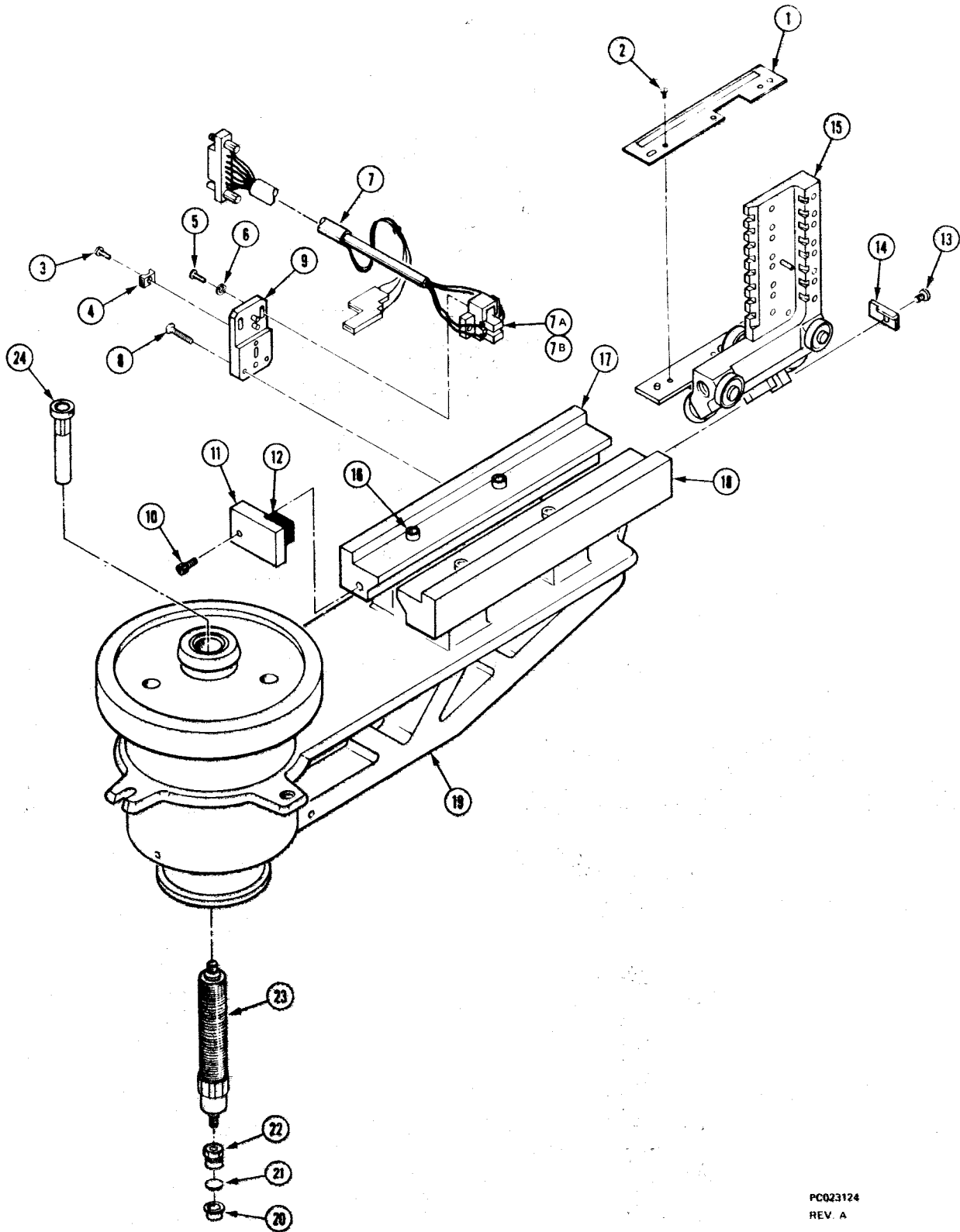


Figure 2-11. DRIVE MOTOR ASSEMBLY

FIG & INDEX	PART NO.	REF DES.	DESCRIPTION	QTY PER ASSY	USED ON CODE	REF FIG
11-	9023773-00	A3A4	MOTOR ASSY,DRIVE 60 HZ (PL REV T)	REF	A	9
-1	9023773-01	A3A4	MOTOR ASSY,DRIVE 50 HZ	REF	B	9
	9023785-00		.BRACKET,MOTOR MTG	2		
			ATTACHING PARTS			
-2	4912854-00		.SCR,SOC HD STL .375-16X.625	4		
-3	9000789-38		.LKWSHR,CS HEL SPR .393 ID	4		
			-----			
-4	9023128-03		.PULLEY ASSY,60 HZ	1	A	
	9023128-04		.PULLEY ASSY,50 HZ	1	B	
	9023697-01		.HARNESS ASSY,MOTOR	1		18
	9000047-01		..PIN,CONTACT	3		
-5	9000289-01	P1	..PLUG,THREE CIRCUIT	1		
-6	9003580-01		..STRAIN RELIEF,RIGHT ANGLE	1		
-7	9800229-00		.MOTOR ASSY,60 HZ	1	A	
	9800247-00		.MOTOR ASSY,50 HZ	1	B	
-8			..KEY (FURNISHED WITH MOTOR)	1		
			177.21.082879			



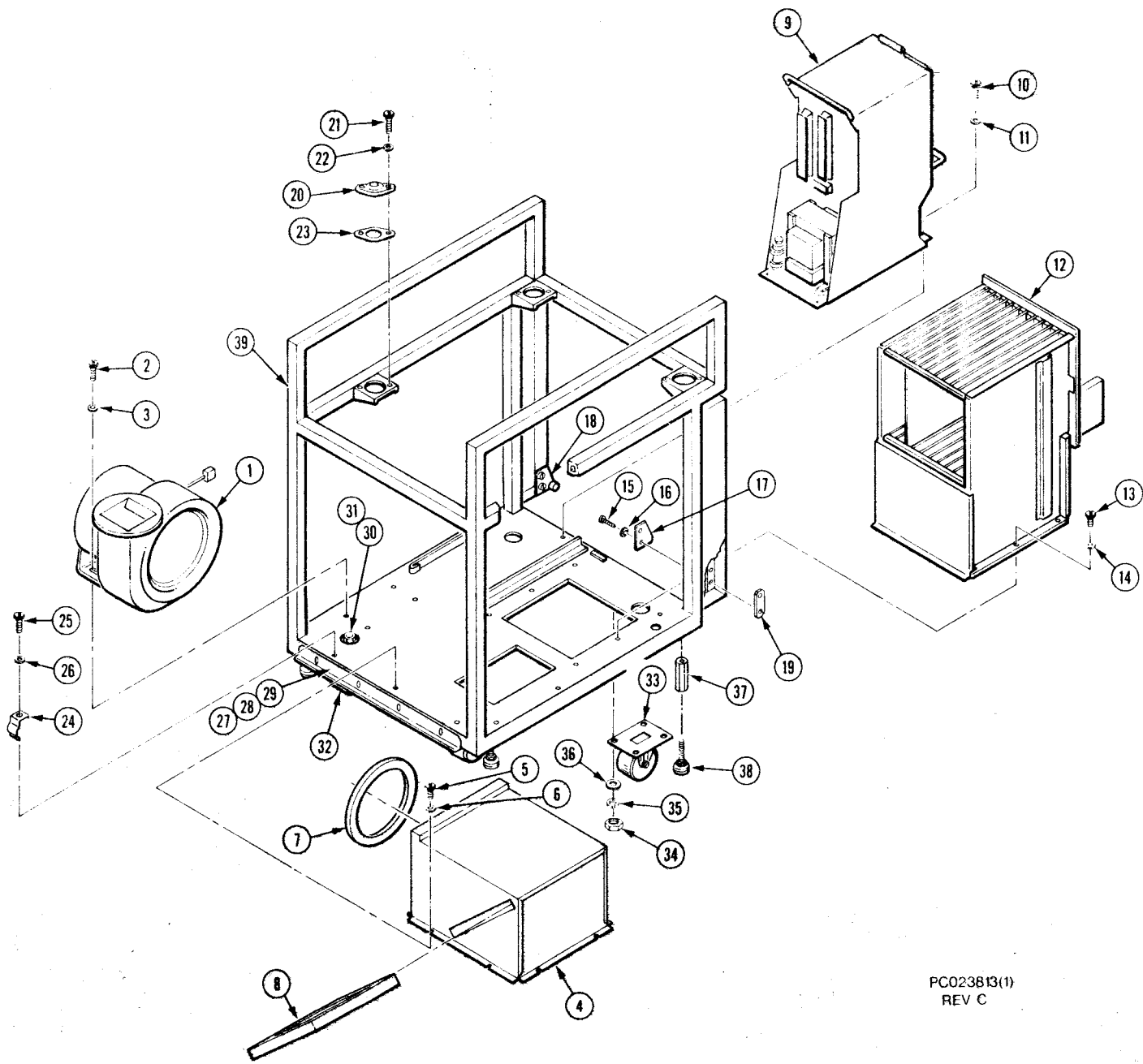
PC023124  
REV. A

Figure 2-12. SPINDLE AND CARRIAGE ASSEMBLY



FIG & INDEX	PART NO.	REF DES.	DESCRIPTION	QTY PER ASSY	USED ON CODE	REF FIG
12-	9023124-00		SPINDLE AND CARRIAGE ASSY (PL REV K)	REF		10
-1	9023202-00		.GRATING,PRIMARY	1		
			ATTACHING PARTS			
-2	9000792-03		.SCR,BH STL 4-40X.188	3		
			-----			
-3	9000792-03		.SCR,BH 4-40X.188	1		
-4	3156581-03		.MOUNT,CABLE TIE	1		
-5	4915978-05		.SCR,SOCHD STL 4-40X.438	2		
-6	9000799-03		.WSHR,SS PLAIN .125 ID	2		
-7	9023682-00		.HARNASS ASSY,VELOCITY SENSOR	1		18
-7A	9000796-06		..SCR,SOC HD 4-40X.375	1		
-7B	9800241-00	A3A2	..SENSOR,PHOTOELECTRONIC	1		
-8	9000771-07		.SCR,SOC HD STL 4-40X.438	2		
-9	9023794-00		.MOUNT ASSY,SENSOR	1		
-10	9000797-07		.SCR,SOC HD STL 8-32X.438	1		
-11	9023123-00		.STOP ASSY,FWD	1		
-12	9006685-01		..BUMPER	1		
-13	9000794-05		.SCR,BH STL 8-32X.312	1		
-14	9023199-00		.STOP,BACK	1		
-15	9023117-00		.CART ASSY,CARRIAGE	1		
-16	4912849-03		.SCR,SOC HD STL 8-32X.750	4		
-17	9023795-00		.LEFT RAIL PIN ASSY	1		
-18	9023195-00		.RAIL,RH	1		
-19	9023116-00		.SPINDLE AND SHAFT ASSY	1		
-20	9000251-01		..RETAINER,CONTACT	1		
-21	9000250-01		..CONTACT,SPINDLE	1		
-22	9006214-02		..NUT,SWITCH LOAD	1		
-23	9023122-00		..SHAFT ASSY,LOWER LOCKING	1		
-24	9023776-00		..SHAFT ASSY,UPPER LOCKING	1		

177.22.082879



PC023813(1)  
REV C

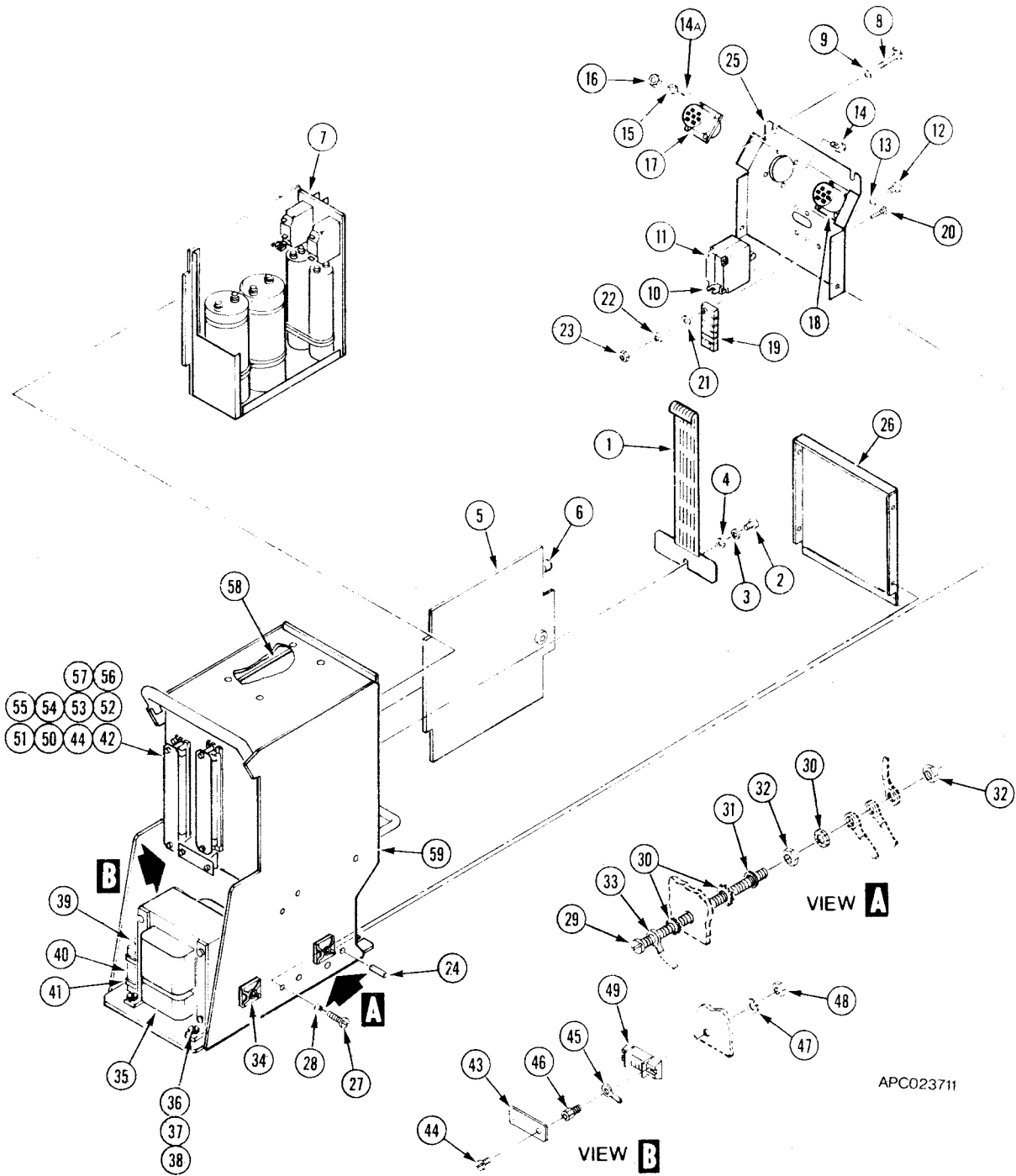
Figure 2-13. DRIVE FRAME ASSEMBLY

FIG & INDEX	PART NO.	REF DES.	DESCRIPTION	QTY PER ASSY	USED ON CODE	REF FIG
13-	9023813-00		FRAME ASSY,60 HZ DRIVE (PL REVA A	REF	A	3
	9023813-20		FRAME ASSY,50 HZ DRIVE	REF	B	3
-1	9024123-00	A5	.BLOWER ASSY,50/60 HZ	1		
			ATTACHING PARTS			
-2	9004763-06		.SCR,SFTPG HEX HD STL 10-32X.375	4		
-3	3003505-00		.WSHR,SPR TENS NO. 10	4		
			-----			
-4	9023755-01		.PLENUM ASSY	1		
			ATTACHING PARTS			
-5	9004763-06		.SCR,SFTPG HEX HD STL 10-32X.375	8		
-6	3003505-00		.WSHR,SPR TENS NO. 10	8		
			-----			
-7	9023872-01		..GASKET,PLENUM	1		
-8	9023903-00		..FILTER	1		
-9	9023711-00	A2	.POWER SUPPLY,60 HZ	1	A	14
	9023711-01	A2	.POWER SUPPLY,50 HZ	1	B	14
			ATTACHING PARTS			
-10	9004763-06		.SCR,SFTPG HEX HD STL 10-32X.375	2		
-11	3003505-00		.WSHR,SPR TENS NO. 10	2		
			-----			
-12	9023828-XX	A1	.MATRIX,LIBRARY	1		16
			ATTACHING PARTS			
-13	9004763-10		.SCR,SFTPG HEX HD STL 10-32X.625	6		
-14	9000788-04		.LKWSHR,CS EXT T NO. 10	6		
-14A	9000786-09		.WSHR,FLAT	6		
			-----			
-15	9004763-06		.SCR,SFTPG HEX HD STL 10-32X.375	4		
-16	3003505-00		.WSHR,SPR TENS NO. 10	4		
-17	9024083-00		.HINGE PLATE,RH	1		
-18	9024084-00		.HINGE PLATE,LH	1		
-19	9024094-00		.PLATE,NUT	2		
-20	9001191-00		.SHOCKMOUNT	4		
			ATTACHING PARTS			
-21	9004762-06		.SCR,SFTPG HEX HD STL 8-32X.375	8		
-22	9001446-03		.WSHR,SHLDR .172 ID	8		
-23	9004581-01		.INSULATOR	4		
			-----			

177.23.082879



FIG & INDEX	PART NO.	REF DES.	DESCRIPTION	QTY PER ASSY	USED ON CODE	REF FIG
13-24	9023990-00		.CONTACT,GROUND	2		
			ATTACHING PARTS			
-25	9004763-06		.SCR,SFTPG HEX HD STL 10-32X.375	2		
-26	3003505-00		.WSHR,SPR TENS NO. 10	2		
			-----			
-27	9023719-00		.RETAINER,DOOR	1		
			ATTACHING PARTS			
-28	9004763-06		.SCR,SFTPG HEX HD STL 10-32X.375	4		
-29	3003505-00		.WSHR,SPR TENS NO. 10	4		
			-----			
	9023712-00		.FRAME SUBASSY	1		
-30	9000784-50		..NUT,HEX JAM	2		
-31	9000789-50		..LKWSHR CE .523 ID (USED WITH 9000801-1)	2		
-32	9000801-01		..CASTER,THREADED STEM	2		
-33	2551433-00		..CASTER,RIGID	2		
			ATTACHING PARTS			
-34	9000785-25		..NUT,HEX .250-20	8		
-35	9000789-25		..LKWSHR,HEL SPR .263 ID	8		
-36	9000786-10		..WSHR,FLAT STL .265 ID	8		
			-----			
-37	9024026-00		..NUT,HEX JAM	4		
-38	9000802-01		..LEVELER,NYLON	4		
-39	9023713-00		..FRAME,DRIVE	1		
	9023683-00		.HARNESS ASSY SWITCH	1		18
	9023684-02		.HARNESS ASSY,AC POWER	1		18
	9024071-00		.HARNESS ASSY,DC POWER	1		18
	9024227-00		.HARNESS ASSY,CONTROL PANEL (9023686-XX MAY BE SUBSTITUTED)	1		18
	9023688-00		.HARNESS ASSY,SEQ POWER			18
	9024228-00		.HARNESS READ/WRITE (9023691-XX MAY BE SUBSTITUTED)	1		18
	9023696-00		.HARNESS ASSY,EMA POWER	1		18
			INTERNAL HARNESSES, CLAMPS, SCREWS, ETC. ARE ILLUSTRATED ON FIGURE 2-18			
			177.24			



APC023711

Figure 2-14. POWER SUPPLY ASSEMBLY

FIG & INDEX	PART NO.	REF DES.	DESCRIPTION	QTY PER ASSY	USED ON CODE	REF FIG
14-	A 9023711-00	A2	POWER SUPPLY ASSY,60 HZ (PL REVAF)	REF	A	13
-1	9023711-01	A2	POWER SUPPLY ASSY,50 HZ	REF	B	13
	9024223-00		.COVER,CARD	1		
			ATTACHING PARTS			
-2	4914060-01		.SCR,SFTPG HEX HD STL 6-32X.188	1		
-3	4917260-01		.LKWSHR,CS HEL SPR NO. 6	1		
-4	4912548-01		.WSHR,STL PLAIN NO. 6	1		
			-----			
-5	9700692-01	A2A1	.PWA,POWER SEQUENCER	1		
-6	9000521-12	F1	..FUSE,5 AMP	1		
-7	9023752-00	A2A2	.FILTER-RECTIFIER ASSY	1		15
-8	9004763-06		.SCR,SFTPG HEX HD STL .190-32X.375	2		
-9	3003505-00		.WSHR,SPR TENS NO. 10	2		
-10	9006804-01		.TAB	1		
-11	9800252-00	A2CB1	.CIRCUIT BREAKER	1		
			ATTACHING PARTS			
-12	4912524-00		.SCR,BH STL 6-32X.188	4		
-13	4917272-03		.LKWSHR,CS INT T NO. 6	4		
			-----			
-14	4912523-04		.SCR,BH STL 4-40X.375	8		
-14A	9000786-02		.WASHER,FLAT NO. 4	8		
-15	4917260-00		.LKWSHR CE HEL SPR .121 ID	8		
-16	4912540-00		.NUT,HEX	8		
	9024217-00		.HARNES,AC PWR I/O	1		18
-17	9800099-01	A2J3	..CONNECTOR,AC PWR IN	1		
-18	3155736-18	A2J4	..CONNECTOR,AC PWR OUT	1		
-19	3155736-18	A2TB1	.TERMINAL BOARD	1		
			ATTACHING PARTS			
-20	9000755-12		.SCR,BDG HD STL 8-32X.750	2		
-21	9000786-07		.WSHR,FLAT NO. 8	2		
-22	9000788-03		.LKWSHR,EXT T NO. 8	2		
-23	9000783-08		.NUT,HEX 8-32	2		
			-----			
-24	9000216-00		.PIN,ROLL .125X.375	2		
-25	9024220-00		.PANEL,AC PWR	1		
-26	9024221-00		.COVER,AC PWR	1		
			ATTACHING PARTS			
-27	9004763-04		.SCR,SFTPG HEX HD STL 10-32X.250	4		
-28			.DELETED			
			-----			

177.25.082879





FIG & INDEX	PART NO.	REF DES.	DESCRIPTION	QTY PER ASSY	USED ON CODE	REF FIG
14-29	9000757-16		.SCR,BDG HD STL .250-20X1	1		
-30	4917271-04		.LKWSHR,EXT T .267 ID	3		
-31	4912548-04		.WSHR,PLAIN STL .265 ID	1		
-32	4912541-00		.NUT,HEX	1		
-33	9001457-07		.JUMPER,GRN/YEL 12 AWG	1		
-34	2899436-00		.MOUNT,CABLE TIE	3		
-35	9023693-00	T1	.TRANSFORMER ASSY (60 HZ)	1	A	
	9023991-00	T1	.TRANSFORMER ASSY (50 HZ)	1	B	
			ATTACHING PARTS			
-36	4912525-12		.SCR,BH STL 8-32X.562	4		
-37	4912548-03		.WSHR,STL PLAIN .203 ID	4		
-38	9800429-00		.NUT,RETAINER	4		
			-----			
-39	2551273-00		.COVER,CAPACITOR	1		
-40	3013826-06	C5	.CAP.,PPR 660V 6PCT 4UF	1		
			ATTACHING PARTS			
-41	3156579-01		.CABLE TIE	2		
			-----			
-42	9023798-00		.COVER,TERM BD	2		
-43	9006387-03		.COVER,TERM BD	1		
			ATTACHING PARTS			
-44	4912524-00		.SCR,BH STL 6-32X.188	6		
			-----			
-45	3013010-00		.TERM,QUICK DISCONNECT	2		
-46	9001026-53		.STANDOFF	2		
-47	4917260-01		.LKWSHR,CS HEL SPR NO. 6	2		
-48	4912540-01		.NUT,HEX 6-32	2		
-49	9004777-02	TB2	.TERMINAL STRIP	1		
-50	9800390-01		.LINK,TERM	3		
-51	9800390-00		.LINK,TERM	3		
-52	3004673-00		.TERMINAL,QUICK DISCONNECT	6		
-53	9001026-20		.STANDOFF	4		
-54	4912524-04		.SCR,BH STL 6-32X.375	4		
-55	4917260-01		.LKWSHR,CS HEL SPR NO. 6	8		
-56	4912540-01		.NUT,HEX 6-32	8		
-57	9800308-00	J1,J2	.CONNECTOR	2		
-58	9000583-03		.GUIDE,CARD	4		
	2551195-00		.GROMMET,CATERPILLAR (10 IN.)	1		
-59	9024219-00		.CHASSIS,PWR SUPPLY	1		

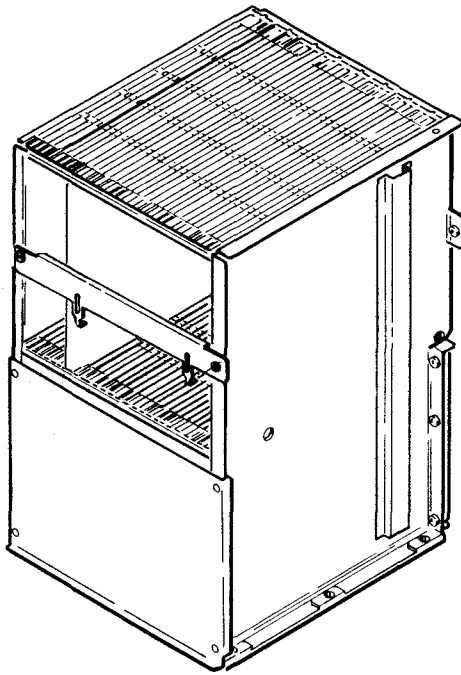
177.26.091479



FIG & INDEX	PART NO.	REF DES.	DESCRIPTION	QTY PER ASSY	USED ON CODE	REF FIG
15-	9023752-00	A2A2	FILTER/RECTIFIER ASSY (PL REV AF)	REF		14
-1	4915010-00		.TAB, ADAPTOR	1		
-2	4912524-00		.SCR, BDG HD STL 6-32X.250	4		
-3	4912552-01		.LKWSHR, CS INT T .150 ID	4		
-4	9023797-00		.GUARD, CKT BRK R	1		
-5	9800358-00	CB3	.CKT BRKR, 65V	1		
-6	9800251-00	CB2	.CKT BRKR, 250 VAC	1		
-7	9700762-01		.PWA, FILTER/RECTIFIER	1		
			ATTACHING PARTS			
-8	4912524-01		.SCR, BDG HD STL 6-32X.310	5		
-9	4912550-01		.LKWSHR, HEL SPR .146 ID	5		
-10	4912548-01		.WSHR, PLAIN STL .161 ID	5		
			-----			
-11	4912527-12		.SCR, BDG HD STL 10-32X.312	8		
-12	4912551-03		.LKWSHR, EXT T .200 ID	8		
-13	3156579-02		.CLAMP LOOP CABLE ADJ	2		
-14	4915671-11	C3	.CAP., ELCTLT 75V 37KUF +75-10%	1		
-15	4915451-21	C4	.CAP., ELCTLT 15V 120KUF +75-10%	1		
-16	3156579-01		.CLAMP LOOP CABLE ADJ	2		
-17	4915453-14	C1, C2	.CAP., ELCTLT 30V 18KUF +75-10%	2		
-18	9000811-01		.HANDLE	1		
			ATTACHING PARTS			
-19	4912523-03		.SCR, BDG HD 4-40X.312	2		
-20	4912550-00		.LKWSHR, CS HEL SPR .146 ID	2		
-21	4912548-00		.WSHR, PLAIN STL .161 ID	2		
			-----			
-22	9003378-01		.GROMMET, CATERPILLAR	1		
	9023754-00		.ENCLOSURE, FILTER/RECTIFIER	1		

177.27.082879



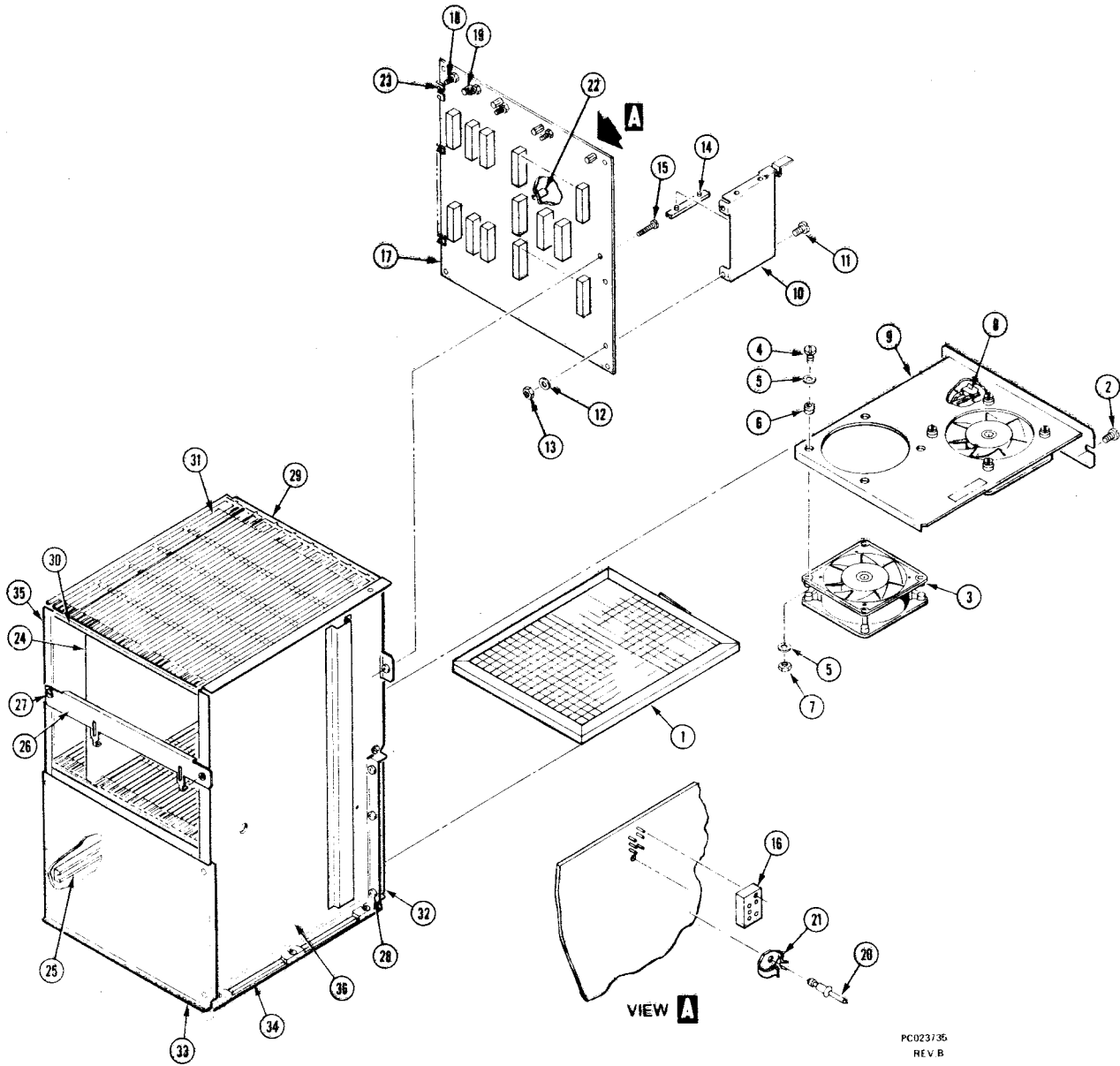


PCO23828  
REV A

INDEX NO.	GATE AND SOCKET NO.
1	A1
2	A3
3	A5
4	A6
5	A7
6	A8
7	A9
8	A10
9	A11

Figure 2-16. LIBRARY MATRIX

FIG & INDEX	PART NO.	REF DES.	DESCRIPTION	QTY PER ASSY	USED ON CODE	REF FIG
16-	9023828-03	A1	LIBRARY MATRIX (PL REV AK)	REF		13
-1	9700712-00	A1A1	.PWA,R/W SERVO AMP	1		
-2	9023667-03	A1A3	.PWA,SYS INTERFACE	1		
-3	9700792-00	A1A5	.PWA,ACCESS CONTROL	1		
-4	9700772-00	A1A6	.PWA,DISK SP PLO AND DEMODE	1		
-5	9703502-00	A1A7	.PWA,TACH SAFE AND POSN	1		
-6	9703552-00	A1A8	.PWA,PULSER DRVR	1		
-7	9700742-01	A1A9	.PWA,POWER SUPPLY	1		
-8	9700732-00	A1A10	.PWA,POWER REGULATOR	1		
-9	9700602-00	A1A11	.PWA,EMA DRIVER	1		
	9023735-XX		.LIBRARY ASSY,PWA	1		17
177.28.082879						



PC023/36  
REV B

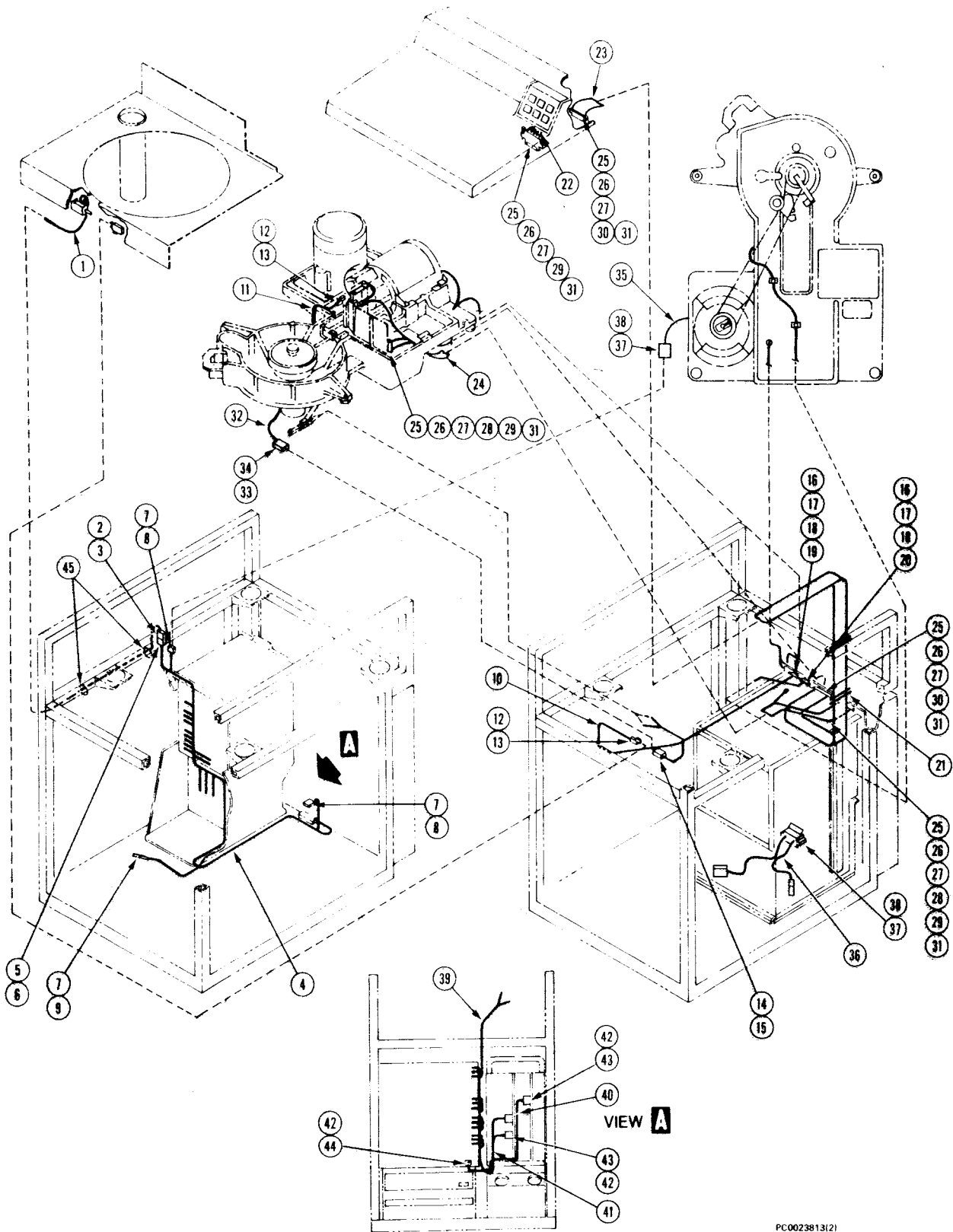
Figure 2-17. PWA LIBRARY ASSEMBLY

FIG & INDEX	PART NO.	REF DES.	DESCRIPTION	QTY PER ASSY	USED ON CODE	REF FIG
17-	9023735-03		LIBRARY ASSY,PWA (PL REV AD)	REF		15
-1	9023883-00		.FILTER,AIR	1		
	9023743-00	A1A14	.FAN ASSY,LIBRARY	1		
			ATTACHING PARTS			
-2	9004763-06		.SCR,SFTPG HEX HD STL 10-32X.375	2		
			-----			
-3	9006470-01	A1B1, A1B2	..FAN,MINI 220/240 VAC	2		
			ATTACHING PARTS			
-4	9004761-14		..SCR,SFTPG HEX HD STL 6-32X.375	8		
-5	9000786-04		..WSHR,STL PL .156 ID	16		
-6	9001038-07		..GROMMET	8		
-7	9003362-02		..NUT,FLEX LOCK 6-32	8		
			-----			
-8	9023689-00		..HARNES ASSY,FAN	1		18
-9	9023746-00		..PLATE,FAN MTG	1		
-10	9023874-00		.BRACKET ASSY,INTERFACE PWA	1		
			ATTACHING PARTS			
-11	9004761-06		.SCR,SFTPG HEX HD STL 6-32X.375	2		
-12	3011681-04		.WSHR,NYLON .151 ID	2		
-13	9000783-06		.NUT,HEX NO. 6	2		
			-----			
-14	9000583-02		..GUIDE,CARD	2		
-15	9004763-06		.SCR,SFTPG HEX HD STL 10-32X.375	10		
	9024260-03		.BACKPLANE ASSY,LIBRARY	1		
-16	9024304-00		..SPACER,BONDED	1		
-17	9024255-04		..BACKPLANE ASSY	1		
	9024255-03		..BACKPLANE ASSY (OPTION)	AR		
-18	9800269-00		....JACKSCREW,FEMALE	REF		
-19	9800268-00		....JACKSCREW,MALE	REF		
-20			.DELETED			
-21			.DELETED			
-22	9023987-00		....BUSHING,TOOL (BONDED)	REF		
-23	9004982-04		....TERMINAL	REF		
-24	9023744-01		.SHIELD	1		
-25	9000583-04		.GUIDE,CARD	2		
-26	9024266-01		.RETAINER,PWA EXTRACTOR	1		
			ATTACHING PARTS			
-27	9004763-06		..SCR,SFTPG HEX HD STL 10-32X.375	2		
			-----			
			177.29.082879			









PC0023813(2)  
REV C

Figure 2-18. DRIVE INTERNAL HARNESS ASSEMBLIES

FIG & INDEX	PART NO	REF DES.	DESCRIPTION	QTY PER ASSY	USED ON CODE	REF FIG
18-	9023813-XX		FRAME ASSY	REF		
-1	9024208-00		SOLENOID ASSY	REF		7
-2	9003682-03		.PIN,CONTACT	2		
-3	9003679-01	A7A1P1	.HOUSING,ELEC CONN	1		
-4	9023684-02		.HARNESS ASSY,AC POWER	1		13
-5	4914830-09		.SOCKET,ELEC CONN	2		
-6	3007431-00	A7A1J1	.HOUSING,CONN	1		
-7	9000047-01		.CONTACT,ELEC	8		
-8	9000290-01	A3A4J1	.CAP,THREE CIRCUIT	2		
		A1J25				
-9	9000289-01	A5B1J1	.PLUG,THREE CIRCUIT	1		
-10	9023683-00		HARNESS ASSY,SWITCHES	REF		13
-11	9023682-00		HARNESS ASSY,VELOCITY SENSE	REF		12
-12	9007747-01		.CONTACT,SWITCH	3		
-13	9007746-01	A3S3	.CONN,ELEC	1		
		A7A1S1				
-14	9003682-01		.PIN,CONTACT	2		
-15	3007430-00	A3A5P1	.HOUSING,ELEC CONN	1		
-16	9800267-00		.JACKSCREW,FEMALE	1		
-17	9800266-00		.JACKSCREW,MALE	1		
-18	9800271-00		.SOCKET,ELEC CONN	AR		
-19	9800273-00	A1P23	.HOUSING,ELEC	1		
-20	9800272-00	A1P24	.CONN,ELEC	1		
-21	9800542-00		.CLAMP LOOP,FLAT CBL	2		
-22	9023687-00		HARNESS ASSY,CONTROL PANEL	REF		4
-23	9023686-00		HARNESS ASSY,CONTROL PANEL	REF		13
-24	9024228-00		HARNESS ASSY,READ/WRITE	REF		13
-25	9800267-00		.JACKSCREW,FEMALE	2		
-26	9800266-00		.JACKSCREW,MALE	2		
-27	4915724-00		.KEY,POLARIZING	AR		
-28	2899536-00		.SOCKET,ELEC (USED WITH A1P20,A3A3P5)	78		
-29	9800271-00		.SOCKET,ELEC	AR		
-30	9800271-02		.SOCKET,ELEC (USED WITH A1A1P22,A4A1P2)	78		
-31	9800272-01	A4A1P1	.CONN,ELEC	2		
		A4A1P2				
		A1A1-P22				
		A1P20				
		A3A3P9				
-32	9023130-00	A3A5	SPEED SENSOR ASSY	REF		9
-33	9003681-01		.CONTACT,ELEC CONN	2		
-34	9003680-01	A3A5J1	.CONN,ELEC	1		
-35	9023697-00		HARNESS ASSY,MOTOR	REF		11
-36	9023689-00		HARNESS ASSY,FAN	REF		17
-37	9000047-01		.PIN,CONTACT	3		
-38	9000289-01	A1P25	.PLUG,THREE CIRCUIT	1		
		A3A4P1				
-39	9023696-00		HARNESS ASSY,EMA POWER	REF		13
-40	9023688-00		HARNESS ASSY,SEQ POWER	REF		13

178.01.082879



FIG & INDEX	PART NO.	REF DES.	DESCRIPTION	QTY PER ASSY	USED ON CODE	REF FIG
18-42 -43	2899448-02 9800284-01	A2A1P2 A2A2P2	.SOCKET,ELEC CONN .CONN,ELEC	AR 2		
-44 -45	9800284-00 9006759-01	A1P15	.CONN,ELEC .CLAMP,CABLE	1 4		
178.02						

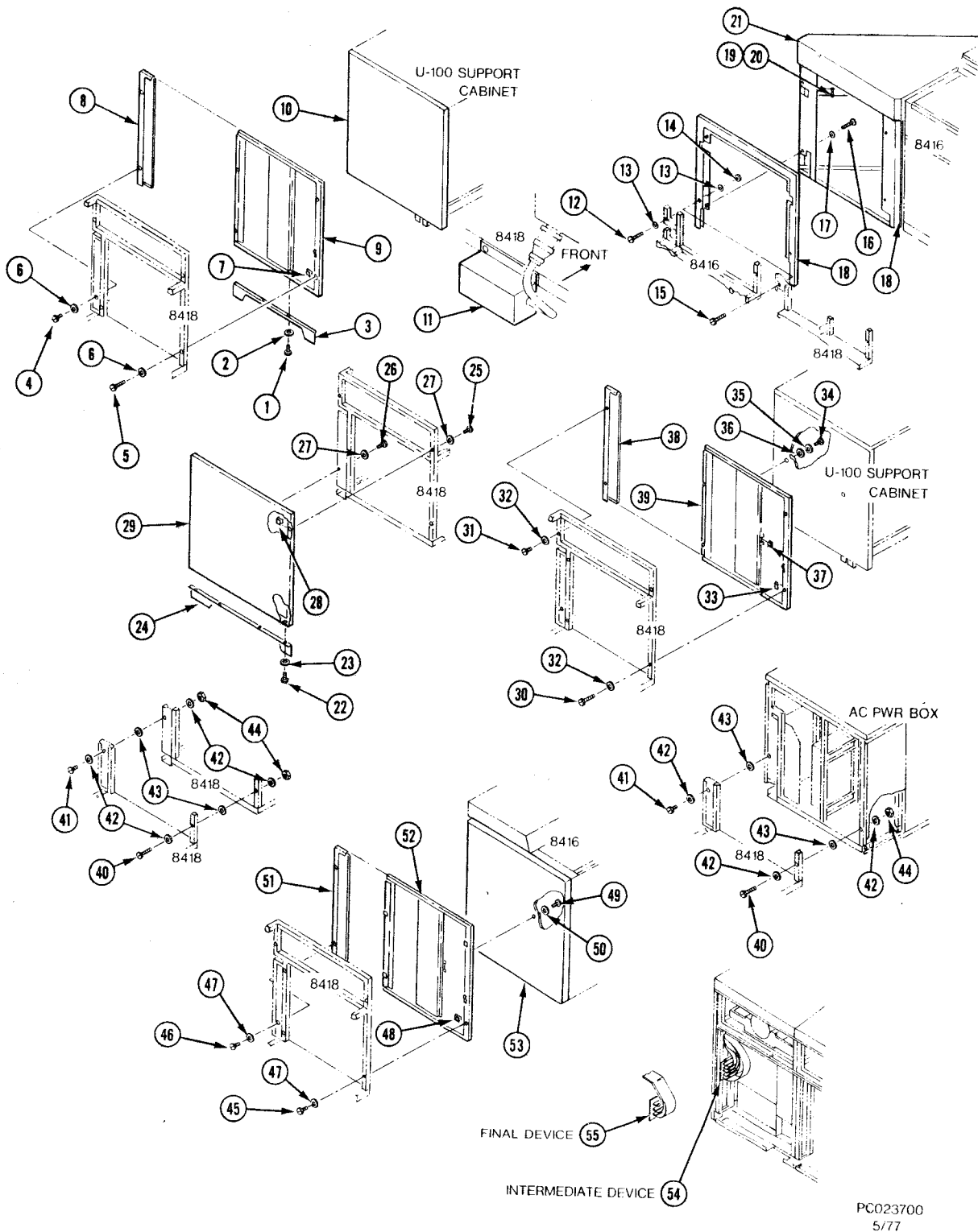


Figure 2-19. INTERFACE CONTROL ASSEMBLY

FIG & INDEX	PART NO.	REF DES.	DESCRIPTION	QTY PER ASSY	USED ON CODE	REF FIG
19-	9023700-00		INTERFACE CONTROL ASSY (PL REV L)	REF		
	9024113-00		..DRIVE FREE STANDING FEATURE F1773-00	AR		
-1	9004763-06		..SCR,SFTPG HEX HD 10-32X.375	4		
-2	3003505-00		..WSHR,SPR TENS NO. 10	4		
-3	9024088-00		..KICKPLATE,RIGHT SIDE	1		
-4	4916673-00		..SCR,TAP SLT HEX HD 10X1.500	1		
-5	4916673-01		..SCR,TAP SLT HEX HD 10X.500	5		
-6	3003505-00		..WSHR,SPR TENS NO. 10	6		
-7	9800476-00		..NUT,SPR NO. 10	6		
-8	9024080-00		..COVER,RH REAR SIDE	1		
-9	9024079-01		..COVER,RH FRONT SIDE	1		
-10	3535831-00		..PANEL ASSY,U 100 SUPPORT CABINET	1		
-11	9024099-00		..CONDUIT KIT,TERMINAL	1		
	9024077-00		..CORNER ADAPTER FEATURE F1769-01	AR		
-12	9000778-28		..SCR,HEX HD .250-20X1.750	4		
-13	3003511-00		..LKWSHR .250 ID	4		
-14	9000785-25		..NUT,HEX	4		
-15	9000778-14		..SCR,HEX HD .250-20X.875	2		
-16	9000756-03		..SCR,BDG HD 10-32X.500	8		
-17	3003505-00		..WSHR,INT/EXT TI +.190 THD	8		
-18	3191096-00		..SPACER	2		
-19	9000755-16		..SCR,BDG HD 8-32X1	2		
-20	3186588-00		..CLAMP,STRAP	2		
-21	3536005-01		..TRANSITION CABINET	1		
	9024048-00		..SIDE PANEL KIT	AR		
-22	9004763-06		..SCR,SFTPG HEX HD 10-32X.375	4		
-23	3003505-00		..WSHR,SPR TENS	4		
-24	9024047-00		..KICKPLATE,LEFT SIDE	1		
-25	4916673-01		..SCR,TAP SLT HEX HD 10X1.500	3		
-26	4916673-00		..SCR,TAP SLT HEX HD 10X.500	1		
-27	9000786-08		..WSHR,PLAIN NO. 10	4		
-28	9800476-00		..NUT,SPR NO. 10	4		
-29	9024054-01		..COVER,SIDE	1		
	9024052-00		..SIDE COVER KIT	AR		
-30	4916673-01		..SCR,TAP SLT HEX HD 10X1.500	5		
-31	4916673-00		..SCR,TAP SLT HEX HD 10X.500	1		
-32	2899661-03		..WSHR,PLAIN NO. 10	6		
-33	9800476-00		..NUT,SPR NO. 10	7		
-34	9000756-24		..SCR,BDGH 10-32X1.500	2		
-35	3003505-00		..WSHR,SPR TENS NO. 10	2		
-36	2899661-03		..WSHR,FLAT NO. 10	2		
-37	3008295-01		..NUT,NO. 10	1		
-38	9024080-01		..COVER,RH REAR SIDE	1		
-39	9024079-01		..COVER,RH FRONT SIDE	1		
	9024051-00		..HARDWARE KIT	AR		
-40	9000778-44		..SCR,HEX HD STL .250-20X.2.752	1		
-41	9000778-14		..SCR,HEX HD STL .250-20X.875	1		
-42	3003511-00		..LKWSHR,.250 ID	4		
-43	9000786-11		..WSHR,PLAIN .250 ID	2		

178.03.082879









INFORMATION ON THIS PAGE HAS BEEN DELETED



Table 2-1. External Cables

PART NUMBER	CABLE ASSEMBLY DESCRIPTION	INCHES	FEET	TOLERANCE
9023647-XX	SEQ DR TO DR	30-90		+ 2 IN.
9023662-XX	AC DR TO DR	20-90		+ 2 IN.
9023674-XX	SEQ DR TO DR	36-84		+ 2 IN.
9023676-XX	TAGS DR TO DR	24-99		+ 1/2 IN.
9023678-XX	BUS & STAT DR TO DR	24-99		+ 1/2 IN.
9023860-XX	AC PWR INTCON 50/60 HZ	31-36		+ 1 IN.
		37-90		+ 3 IN.
9023931-XX	AC PWR BOX TO 8416	20-90		+ 2 IN.
9023937-XX	SEQ 8416 DR TO 8418 DR/PWR BOX	24-84		+ 2 IN.
9024112-XX	AC 8416 DR TO 8418 DR	60-90		+ 2 IN.
9023552-XX	DC GND		10-55	+ 4 IN.
9023663-XX	AC DR TO PROCESS		5-40	+ 2 IN.
9023664-XX	LOGIC GROUND		10-55	+ 2 IN.
9023675-XX	SEQ DR TO PROC		5-35	+ 2 IN.
9023677-XX	TAGS BUS/STAT DR TO PROC		5-55	+ 2 IN.
9023932-XX	AC PWR BOX TO 8416		5-15	+ 4 IN.
9023939-XX	TAGS DR TO DR		5-15	+ 2 IN.
9023940-XX	BUS & STATUS DR TO DR		5-15	+ 2 IN.
9023952-XX	DEV SELECT DR 0		5-55	+ 2 IN.
9023953-XX	DEV SELECT DR 1		5-55	+ 2 IN.
9023954-XX	DEV SELECT DR 2		5-55	+ 2 IN.
9023955-XX	DEV SELECT DR 3		5-55	+ 2 IN.
9023956-XX	DEV SELECT DR 4		5-55	+ 2 IN.
9023957-XX	DEV SELECT DR 5		5-55	+ 2 IN.
9023958-XX	DEV SELECT DR 6		5-55	+ 2 IN.
9023959-XX	DEV SELECT DR 7		5-55	+ 2 IN.
9023962-XX	DEVICE 02 SELECT		5-55	+ 2 IN.
9023963-XX	DEVICE 03 SELECT		5-55	+ 2 IN.
9023964-XX	DEVICE 04 SELECT		5-55	+ 2 IN.
9023965-XX	DEVICE 05 SELECT		5-55	+ 2 IN.
9023966-XX	DEVICE 06 SELECT		5-55	+ 2 IN.
9023967-XX	DEVICE 07 SELECT		5-55	+ 2 IN.
9023968-XX	AC PWR BOX TO DR 0		5-55	+ 4 IN.
9023969-XX	TAGS DR TO DR		5-15	+ 2 IN.
9023970-XX	BUS & STATUS DR TO DR		5-15	+ 2 IN.
9024175-XX	BUS & STATUS 8416 DR TO 8418 DR		7-15	+ 2 IN.
9024176-XX	TAGS 8416 DR TO 8418 DR		7-15	+ 2 IN.

Cable lengths are designated in feet or inches by dash number. Available lengths and tolerances are shown above. Specify length when ordering.



PART NUMBER INDEX

PART NUMBER	FIG	INDEX	QTY	PART NUMBER	FIG	INDEX	QTY
				3007435-53	2-6	14	2
				3008295-01	2-19	37	1
2551195-00	2-15		1	3010588-01	2-9	7	2
2551273-00	2-14	39	1	3010589-08	2-9	6	2
2551433-00	2-13	33	2	3010645-05	2-9	22	2
2899436-00	2-14	34	3	3011681-00	2-1	3	4
2899448-02	2-18	42	AR	3011681-04	2-17	12	2
2899536-00	2-18	28	78	3011681-14	2-2	14	4
2899661-03	2-19	36	2	3011681-14	2-2	21	4
2899914-01	2-7	14	2	3012691-00	A-2		AR
3003505-00	2-1	14	2	3013010-00	2-14	45	2
3003505-00	2-2	6	4	3013438-00	2-4	4	1
3003505-00	2-2	11	4	3013438-01	2-4	3	1
3003505-00	2-2	26	8	3013438-07	2-4	2	1
3003505-00	2-2	33	18	3013438-08	2-4	6	1
3003505-00	2-3	6	4	3013438-09	2-4	8	1
3003505-00	2-3	34	2	3013439-00	2-4	5	1
3003505-00	2-5	6	4	3013598-01	2-3	1	1
3003505-00	2-5	11	2	3013826-06	2-14	40	1
3003505-00	2-6	4	2	3154747-09	A-2		AR
3003505-00	2-6	7	3	3154842-07	2-3	11	1
3003505-00	2-13	3	4	3154854-04	A-2	13	AR
3003505-00	2-13	6	8	3155736-18	2-14	19	1
3003505-00	2-13	11	2	3156579-01	2-14	41	2
3003505-00	2-13	16	4	3156579-01	2-15	16	2
3003505-00	2-13	26	2	3156579-02	2-15	13	2
3003505-00	2-13	29	4	3156581-03	2-9	42	2
3003505-00	2-14	9	2	3156581-03	2-12	4	1
3003505-00	2-19	2	4	3186588-00	2-19	20	2
3003505-00	2-19	6	6	3190420-01	2-5	12	1
3003505-00	2-19	17	8	3191096-00	2-19	18	2
3003505-00	2-19	23	4	3535831-00	2-19	10	1
3003505-00	2-19	35	2	3536005-01	2-19	21	1
3003505-00	2-19	50	2	4912523-03	2-15	19	2
3003511-00	2-19	13	4	4912523-04	2-14	14	8
3003511-00	2-19	42	4	4912524-00	2-14	12	4
3004673-00	2-14	52	6	4912524-00	2-14	44	6
3006031-02	2-2	15	2	4912524-00	2-15	2	4
3006031-02	2-2	20A	2	4912524-01	2-15	8	5
3007430-00	2-18	15	1	4912524-09	2-14	54	4
3007430-01	2-8	6	1	4912525-12	2-14	36	4
3007431-00	2-18	6	1	4912527-12	2-15	11	12
3007435-22	2-7	15	2	4912540-00	2-14	16	8
3007435-47	2-7	17	1	4912540-01	2-14	48	2
3007435-53	2-2	27B	2	4912540-01	2-14	56	8



PART NUMBER	FIG	INDEX	QTY	PART NUMBER	FIG	INDEX	QTY
4912541-00	2-14	32	1	9000047-01	2-18	37	3
4912548-00	2-15	21	2	9000216-00	2-14	24	2
4912548-01	2-14	4	1	9000223-01	2-9	39	1
4912548-01	2-15	10	5	9000250-01	2-12	21	1
4912548-03	2-14	37	4	9000251-01	2-12	20	1
4912548-04	2-14	31	1	9000268-03	2-9	19	1
4912550-00	2-15	20	2	9000289-01	2-11	5	1
4912550-01	2-15	9	5	9000289-01	2-18	9	1
4912551-03	2-15	12	8	9000289-01	2-18	38	1
4912552-01	2-15	3	4	9000290-01	2-18	8	2
4912849-03	2-12	16	4	9000371-01	2-7	13	1
4912852-00	2-9	10	2	9000496-01	2-9	33	4
4912852-02	2-10	38	3	9000521-12	2-14	6	1
4912854-00	2-11	2	4	9000583-02	2-17	14	2
4913003-02	2-8	2	1	9000583-03	2-14	58	1
4914060-01	2-14	2	1	9000583-04	2-17	25	2
4914177-02	2-4	1	5	9000753-03	2-8	7	2
4914177-02	2-4	7	1	9000753-03	2-9	13	2
4914830-09	2-18	5	2	9000753-04	2-10	17	2
4915010-00	2-15	1	1	9000753-04	2-10	25	4
4915022-01	2-8	1	1	9000753-04	2-10	40	2
4915451-21	2-15	15	1	9000753-05	2-7	8	2
4915453-14	2-15	17	2	9000753-05	2-9	15	2
4915671-11	2-15	14	1	9000753-05	2-10	36	4
4915724-00	2-18	27	AR	9000753-08	2-9	37	2
4915978-05	2-10	19	4	9000753-10	2-7	1	1
4915978-05	2-12	5	2	9000753-12	2-7	2	1
4916657-06	2-3		1	9000755-05	2-9	20	2
4916673-00	2-19	4	1	9000755-10	2-10	15	4
4916673-00	2-19	26	1	9000755-12	2-14	20	2
4916673-00	2-19	31	1	9000755-16	2-19	19	2
4916673-00	2-19	46	1	9000756-03	2-19	16	8
4916673-01	2-19	5	5	9000756-05	2-10	12	1
4916673-01	2-19	25	3	9000756-24	2-19	34	2
4916673-01	2-19	30	5	9000757-06	2-10	22	1
4916673-01	2-19	45	5	9000757-16	2-14	29	1
4917170-04	2-2	13	2	9000765-04	2-10	28	6
4917260-00	2-14	15	8	9000765-06	2-3	16	7
4917260-01	2-14	3	1	9000765-06	2-3	17	4
4917260-01	2-14	47	2	9000771-07	2-12	8	2
4917260-01	2-14	55	8	9000778-14	2-19	15	2
4917271-04	2-14	30	3	9000778-14	2-19	41	1
4917272-03	2-14	13	4	9000778-28	2-19	12	4
9000047-01	2-11		3	9000778-44	2-19	40	1
9000047-01	2-18	7	8	9000780-24	2-3	36	4

PART NUMBER	FIG	INDEX	QTY	PART NUMBER	FIG	INDEX	QTY
9000783-04	2-3	3	4	9000789-38	2-3	37	4
9000783-04	2-6	8	12	9000789-38	2-11	3	4
9000783-04	2-7	5	1	9000789-50	2-13	31	2
9000783-06	2-17	13	2	9000790-25	2-10	39	3
9000783-08	2-14	23	2	9000792-03	2-10	31	1
9000783-10	2-2	7	4	9000792-03	2-12	2	3
9000783-10	2-2	19	4	9000792-03	2-12	3	1
9000783-10	2-3	7	4	9000792-04	2-9	35	2
9000784-25	2-9	31	4	9000792-04	2-9	41	2
9000784-50	2-13	30	2	9000792-04	2-10	33	2
9000785-25	2-13	34	8	9000792-10	2-3	24	1
9000785-25	2-19	14	4	9000794-05	2-12	13	1
9000785-25	2-19	44	2	9000794-06	2-10	3	2
9000786-02	2-6	10	12	9000796-04	2-1	5	2
9000786-02	2-7	4	2	9000796-06	2-12	7A	1
9000786-02	2-7	10	2	9000796-10	2-3	23	7
9000786-02	2-8	9	2	9000797-07	2-12	10	1
9000786-02	2-14	14A	8	9000798-10	2-9	24	1
9000786-03	2-10	26	4	9000799-03	2-12	6	2
9000786-04	2-4	17	2	9000799-04	2-1	6	2
9000786-04	2-17	5	16	9000799-06	2-10	4	2
9000786-06	2-3	13	2	9000801-01	2-13	32	2
9000786-07	2-14	21	2	9000802-01	2-13	38	4
9000786-08	2-5	7	4	9000811-01	2-15	18	1
9000786-08	2-19	27	4	9000829-02	2-3	20	2
9000786-08	2-19	32	6	9000830-02	2-3	21	2
9000786-08	2-19	47	6	9000881-02	2-9	26	2
9000786-09	2-13	14A	6	9000906-16	2-7	7	1
9000786-10	2-9	11	1	9000997-01	2-9	42	2
9000786-10	2-10	16	4	9001026-20	2-14	53	6
9000786-10	2-13	36	8	9001026-53	2-14	46	2
9000786-11	2-19	43	2	9001038-07	2-17	6	8
9000788-01	2-3	4	4	9001074-01	2-18		1
9000788-01	2-6	9	12	9001085-01	2-2	1A	2
9000788-03	2-14	22	2	9001174-01	2-7	12	1
9000788-04	2-2	20	4	9001191-00	2-13	20	4
9000788-04	2-3	8	4	9001446-03	2-13	22	8
9000788-04	2-10	13	1	9001457-07	2-14	33	1
9000788-04	2-13	14	6	9001856-07	2-9	8	1
9000788-05	2-10	23	1	9001856-08	2-9		1
9000789-04	2-7	3	2	9003362-02	2-17	7	8
9000789-04	2-7	9	2	9003362-03	2-3	12	2
9000789-04	2-8	8	2	9003378-01	2-15		1
9000789-25	2-9	32	4	9003580-01	2-11	6	1
9000789-25	2-13	35	8	9003679-01	2-18	3	1

PART NUMBER	FIG	INDEX	QTY	PART NUMBER	FIG	INDEX	QTY
9003680-01	2-18	34	1	9006277-05	2-10	9	1
9003681-01	2-18	33	2	9006280-01	2-10	5	2
9003682-01	2-18	14	2	9006281-01	2-10	10	2
9003682-03	2-8	5	2	9006282-01	2-10	6	2
9003682-03	2-18	2	2	9006387-03	2-14	43	1
9004415-05	2-5	5	4	9006470-01	2-17	3	2
9004581-01	2-13	23	4	9006540-10	2-9	23	1
9004692-12	2-9	27	1	9006541-01	2-9	16	1
9004761-06	2-17	11	2	9006626-05	A-2	3	AR
9004761-14	2-17	4	8	9006685-01	2-12	12	1
9004762-05	2-9	3	3	9006759-01	2-18	45	4
9004762-06	2-13	21	8	9006766-01	2-3	25	8
9004763-04	2-14	27	4	9006766-01	2-9	36	2
9004763-06	2-1	13	2	9006766-01	2-10	20	4
9004763-06	2-2	5	4	9006804-01	2-14	10	1
9004763-06	2-2	10	4	9006867-01	A-2	4	AR
9004763-06	2-2	25	8	9006877-03	A-2	5	AR
9004763-06	2-2	32	18	9006965-01	2-9	17	1
9004763-06	2-3	5	4	9007567-01	A-2		AR
9004763-06	2-3	33	2	9007746-01	2-18	13	1
9004763-06	2-5	10	2	9007747-01	2-18	12	3
9004763-06	2-6	3	2	9008783-01	A-2		AR
9004763-06	2-6	6	3	9015911-06	2-4	16	2
9004763-06	2-13	2	4	9016274-01	2-1	2	4
9004763-06	2-13	5	8	9020786-06	2-3	18C	4
9004763-06	2-13	10	2	9021251-00	A-2	9	AR
9004763-06	2-13	15	4	9023116-00	2-12	19	1
9004763-06	2-13	25	2	9023117-00	2-12	15	1
9004763-06	2-13	28	4	9023122-00	2-12	23	1
9004763-06	2-14	8	2	9023123-00	2-12	11	1
9004763-06	2-17	2	2	9023124-00	2-10	37	1
9004763-06	2-17	15	10	9023124-00	2-12		REF
9004763-06	2-17	27	2	9023128-03	2-11	4	1
9004763-06	2-17	28	18	9023128-04	2-11		1
9004763-06	2-19	1	4	9023129-00	2-9	21	1
9004763-06	2-19	22	4	9023130-00	2-9	14	1
9004763-10	2-13	13	6	9023130-00	2-18	32	REF
9004763-16	2-19	49	2	9023133-02	2-9	9	1
9004777-02	2-14	49	2	9023134-00	2-9	34	1
9004982-04	2-17	23	REF	9023135-00	2-10	21	1
9006214-02	2-12	22	1	9023136-00	2-10	2	1
9006249-04	2-9	29	1	9023138-00	2-10	14	1
9006250-02	2-9	28	1	9023164-00	2-3		1
9006275-03	2-10	8	1	9023165-00	2-9	25	1
9006277-04	2-10	7	1	9023166-00	2-9	18	1

PART NUMBER	FIG	INDEX	QTY	PART NUMBER	FIG	INDEX	QTY
9023175-00	2-9	4C	1	9023689-00	2-18	36	REF
9023176-01	2-9	38	1	9023693-00	2-14	35	1
9023181-00	2-10	11	1	9023695-00	2-10	24	1
9023187-01	2-10	18	1	9023696-00	2-13		1
9023195-00	2-12	18	1	9023696-00	2-18	39	REF
9023199-00	2-12	14	1	9023697-00	2-18	35	REF
9023202-00	2-12	1	1	9023697-01	2-11		1
9023209-01	2-9	2	1	9023700-00	2-19		REF
9023217-01	2-10	1	2	9023711-00	2-13	9	1
9023318-00	2-3	22	1	9023711-00	2-14		REF
9023352-00	2-10	34	1	9023711-01	2-13		1
9023362-03	2-3	18E	4	9023711-01	2-14		REF
9023456-00	A-2	12	AR	9023712-00	2-13		1
9023477-02	2-10	32	1	9023713-00	2-13	39	1
9023516-00	2-6	17	1	9023719-00	2-13	27	1
9023528-02	A-2	2	AR	9023721-02	2-2	27E	1
9023552-XX	T2-1		AR	9023724-01	2-6	18	1
9023565-00	A-2	1	AR	9023726-01	2-2	12	1
9023565-01	A-2	1	AR	9023726-01	2-5		REF
9023567-00	A-2		AR	9023727-02	2-5	13	1
9023567-01	A-2		AR	9023733-01	2-2	8	1
9023647-XX	T2-1		AR	9023735-03	2-17		REF
9023656-01	2-1		1	9023735-XX	2-16		1
9023657-01	2-1		1	9023737-00	2-17	36	1
9023662-XX	T2-1		AR	9023738-00	2-17	35	1
9023663-XX	T2-1		AR	9023740-01	2-17	30	2
9023664-XX	T2-1		AR	9023741-00	2-17	33	1
9023667-03	2-16	2	1	9023742-00	2-17	32	1
9023674-XX	T2-1		AR	9023743-00	2-17		1
9023675-XX	T2-1		AR	9023744-01	2-17	24	1
9023676-XX	T2-1		AR	9023746-00	2-17	9	1
9023677-XX	T2-1		AR	9023752-00	2-14	7	1
9023678-XX	T2-1		AR	9023752-00	2-15		REF
9023682-00	2-12	7	1	9023754-00	2-15	22	1
9023682-00	2-18	11	REF	9023755-01	2-13	4	1
9023683-00	2-13		1	9023757-00	2-3	31	1
9023683-00	2-18	1C	REF	9023762-00	2-2	30	1
9023684-02	2-13		1	9023770-01	A-2	7	AR
9023684-02	2-18	4	1	9023772-01	A-2		AR
9023686-00	2-18	23	REF	9023773-00	2-9	30	1
9023687-00	2-4	9	1	9023773-00	2-11		REF
9023687-00	2-18	22	REF	9023773-01	2-9		1
9023688-00	2-13		REF	9023773-01	2-11		REF
9023688-00	2-18	4C	REF	9023775-00	2-10	43	1
9023689-00	2-17	8	1	9023776-00	2-12	24	1

PART NUMBER	FIG	INDEX	QTY	PART NUMBER	FIG	INDEX	QTY
9023778-00	2-9		REF	9023953-XX	T2-1		AR
9023778-01	2-9		REF	9023954-XX	T2-1		AR
9023778-XX	2-3	35	1	9023955-XX	T2-1		AR
9023778-XX	2-10		REF	9023956-XX	T2-1		AR
9023782-01	2-10	27	1	9023957-XX	T2-1		AR
9023785-00	2-11	1	2	9023958-XX	T2-1		AR
9023786-00	2-10	30	1	9023959-XX	T2-1		AR
9023788-00	2-10	41	1	9023962-XX	T2-1		AR
9023789-01	2-10	35	1	9023963-XX	T2-1		AR
9023794-00	2-12	9	1	9023964-XX	T2-1		AR
9023795-00	2-12	17	1	9023965-XX	T2-1		AR
9023797-00	2-15	4	1	9023966-XX	T2-1		AR
9023798-00	2-14	42	2	9023967-XX	T2-1		AR
9023808-00	2-17	34	2	9023968-XX	T2-1		AR
9023812-00	2-2		REF	9023969-XX	T2-1		AR
9023812-01	2-2		REF	9023970-XX	T2-1		AR
9023812-XX	2-1	17	1	9023976-00	2-5	2	2
9023812-XX	2-3		REF	9023977-00	2-3	10	1
9023813-00	2-13		REF	9023977-01	2-3	9	1
9023813-20	2-13		REF	9023987-00	2-17	22	REF
9023813-XX	2-3	38	1	9023990-00	2-13	24	2
9023813-XX	2-18		REF	9023991-00	2-14		1
9023822-00	2-6	11	6	9024011-00	2-5	8	2
9023828-02	2-13	12	1	9024015-00	2-9	12	1
9023828-03	2-16		REF	9024024-01	2-1	1	1
9023829-00	2-3	15	1	9024026-00	2-13	37	4
9023829-00	2-6		REF	9024029-00	2-2	24	1
9023830-00	2-2	28	1	9024030-00	2-2	23	1
9023860-XX	T2-1		AR	9024031-01	2-5	3	1
9023872-01	2-13	7	1	9024032-01	2-5	4	1
9023873-00	2-3	30	1	9024033-00	2-2	22	2
9023874-00	2-17	10	1	9024035-02	2-2	16	1
9023883-00	2-17	1	1	9024036-02	2-2	17	1
9023903-00	2-13	8	1	9024043-00	2-1	12	1
9023913-00	A-2	8	AR	9024047-00	2-1	8	1
9023914-01	2-3	2	1	9024047-00	2-19	24	1
9023917-00	2-2	31	2	9024048-00	2-19		AR
9023918-00	2-2	9	2	9024051-00	2-19		AR
9023931-XX	T2-1		AR	9024052-00	2-19		AR
9023932-XX	T2-1		AR	9024054-00	2-1	7	1
9023933-01	2-9	5	1	9024054-01	2-19	29	1
9023937-XX	T2-1		AR	9024055-00	2-2	29	1
9023939-XX	T2-1		AR	9024071-00	2-13		1
9023940-XX	T2-1		AR	9024071-00	2-18	41	REF
9023952-XX	T2-1		AR	9024073-00	2-10	29	2

PART NUMBER	FIG	INDEX	QTY	PART NUMBER	FIG	INDEX	QTY
9024077-00	2-19		AR	9024208-00	2-18	1	REF
9024079-00	2-1	9	1	9024210-00	2-7	16	1
9024079-00	2-19	52	1	9024215-01	2-2	27	1
9024079-01	2-19	9	1	9024218-00	2-3	32	1
9024079-01	2-19	39	1	9024219-00	2-14	59	1
9024080-00	2-1	10	1	9024220-00	2-14	25	1
9024080-00	2-19	8	1	9024221-00	2-14	26	1
9024080-00	2-19	51	1	9024222-00	2-6	15	2
9024080-01	2-19	38	1	9024223-00	2-14	1	1
9024081-00	2-2	3	1	9024227-00	2-13		1
9024082-00	2-2	4	1	9024228-00	2-13		1
9024083-00	2-13	17	1	9024228-00	2-18	24	REF
9024084-00	2-13	18	1	9024253-00	2-3	37A	1
9024088-00	2-1	11	1	9024255-03	2-17		AR
9024088-00	2-19	2	1	9024255-04	2-17	17	1
9024091-00	2-1	4	1	9024260-03	2-17		1
9024094-00	2-13	19	2	9024266-01	2-17	26	1
9024099-00	2-19	11	1	9024268-00	2-19	53	1
9024104-00	A-2	10	AR	9024304-00	2-17	16	1
9024111-00	2-1	16	1	9024305-00	2-17	31	16
9024111-00	2-4		REF	9024310-00	2-4	15	1
9024112-XX	T2-1		AR	9024311-00	2-4	14	1
9024113-00	2-19		AR	9024311-01	2-4		AR
9024114-00	2-6	16	1	9024312-00	2-17	29	2
9024117-00	2-1		1	9024381-00	2-3	18F	1
9024117-00	2-4		REF	9024382-00	2-3	18A	1
9024123-00	2-13	1	1	9024383-00	2-3	18D	1
9024175-XX	T2-1		AR	9025098-01	2-2	1	1
9024176-XX	T2-1		AR	9025327-00	2-3	18E	1
9024177-00	2-19		AR	9025335-00	2-3	13A	1
9024184-00	2-6	12	1	9025336-00	2-3	13B	1
9024189-00	A-2	11	AR	9025337-00	2-3		1
9024190-00	2-6	5	1	9025342-01	2-2	1	1
9024190-00	2-7		REF	9026382-02	2-3	26	1
9024191-00	2-7	19	1	9026383-02	2-3	27	3
9024192-00	2-7	18	1	9026391-02	2-3	28	1
9024193-00	2-5	9	1	9026394-01	2-3		1
9024194-00	2-8	11	1	9026872-00	2-2	27C	2
9024195-00	2-8	4	1	9026872-00	2-6	15A	2
9024196-00	2-6	2	1	9700602-00	2-16	9	1
9024197-00	2-8	3	1	9700692-01	2-14	5	1
9024203-00	2-2	18	2	9700712-01	2-16	1	1
9024207-00	2-7	6	1	9700722-00	2-5	1	1
9024208-00	2-7	11	1	9700732-00	2-16	8	1
9024208-00	2-8		REF	9700742-01	2-16	7	1

PART NUMBER	FIG INDEX	QTY	PART NUMBER	FIG INDEX	QTY
9700752-01	2-9	1	9600427-00	2-6	13
9700762-01	2-15	7	9800429-00	2-14	38
9700772-00	2-16	4	9800476-00	2-19	7
9700792-00	2-16	3	9800476-00	2-19	28
9703502-00	2-16	5	9800476-00	2-19	33
9703552-00	2-16	6	9800476-00	2-19	48
9800039-10	A-2		9800542-00	2-18	21
9800039-11	A-2				
9800039-12	A-2				
9800099-01	2-14	17			
9800101-01	2-14	18			
9800195-00	2-3	18			
9800195-00	2-3	16A			
9800229-00	2-11	7			
9800241-00	2-12	7B			
9800247-00	2-11				
9800251-00	2-15	6			
9800252-00	2-14	11			
9800266-00	2-18	17			
9800266-00	2-18	26			
9800267-00	2-18	16			
9800267-00	2-18	25			
9800268-00	2-17	19	REF		
9800269-00	2-17	18	REF		
9800271-00	2-18	18	AR		
9800271-00	2-18	29	AR		
9800271-02	2-18	30	7B		
9800272-00	2-18	20			
9800272-01	2-4	10			
9800272-01	2-18	31			
9800273-00	2-18	19			
9800282-00	2-3	29			
9800284-00	2-18	43			
9800284-01	2-18	44			
9800308-00	2-14	57			
9800317-00	A-2		AR		
9800318-00	2-3	14			
9800339-01	2-3	22A			
9800339-03	2-10	42			
9800358-00	2-15	5			
9800390-00	2-14	51			
9800390-01	2-14	50			
9800418-00	2-6	1			
9800425-00	2-8	10			
9800427-00	2-2	27C			





## APPENDIX A

### MAINTENANCE TOOLS

This appendix contains descriptions and part numbers of the tools and test equipment necessary to perform preventive and corrective machine maintenance. Table A-1 lists those standard tools that are contained in the Maintenance Engineers carrying case; Table A-2 lists those special tools that are unique to the maintenance of the 8418 Disk Drive. Standard test equipment accessories are listed in Table A-3.

Table A-1. List of Standard Tools

FIG & INDEX	PART NO.	REF DES.	DESCRIPTION	QTY PER ASSY	USED ON CODE	REF FIG
	3007811-00		ALCOHOL,91% ISOPROPYL	AR		
	9006975-04		BIT,26 GAGE,WRAP GUN	AR		
	9006975-05		BIT,30 GATE,WRAP GUN	AR		
	9003631-01		BRUSH,HEAD CLEANING	AR		
	9007568-01		C-CELL FLASHLIGHT	AR		
	9001192-02		CARRYING CASE	AR		
	9004378-01		CRIMPER,SUPER CHAMP	AR		
	9006976-01		CRIMPER (AMP P/N 45707-02)	AR		
	9004384-01		DIAGONAL CUTTERS,4-3/4 INCH	AR		
	9004083-01		EXTENDER,GROUND PLANE	AR		
	9007575-01		EXTENSION,14-INCH,1/4-INCH DRIVE	AR		
	9007575-02		EXTENSION,6 INCH,1/4-INCH DRIVE	AR		
	9004386-01		GATE SET,FEELER,.0015 TO .035 INCH	AR		
	9007653-01		HAMMER,BALL PEEN,8 OUNCE	AR		
	9007566-01		HEX BIT,1/8 INCH TO 1/4 INCH DRIVE	AR		
	9007566-02		HEX BIT,5/32 INCH TO 1/4 INCH DRIVE	AR		
	9007566-03		HEX BIT,9/64 INCH TO 1/4 INCH DRIVE	AR		
	9007566-04		HEX BIT,3/16 INCH TO 1/4 INCH DRIVE	AR		
	9007566-05		HEX BIT,1/4 INCH DRIVE	AR		
	9004374-01		INSPECTION MIRROR	AR		
	9006974-01		NUTDRIVER SET	AR		
	9004390-01		OILSTONE,FINE	AR		
	9006972-01		PADDLE,HEAD CLEANING	AR		
	9004373-01		PENLIGHT	AR		
	9007565-01		PIN PUNCH,1/16 INCH	AR		
	9007565-02		PIN PUNCH,3/32 INCH	AR		
	9007565-03		PIN PUNCH,1/8 INCH	AR		
	9004379-01		PLIERS,BERYLLIUM LONG NO E,6-3/4 INCH	AR		
	9004380-01		PLIERS,NEEDLE NOSE,5-1/2 INCH	AR		
	9004383-01		PLIERS,CHAIN NOSE,5 INCH	AR		
	9007570-01		PROBE,NONCONDUCTIVE,JUGGLE STICK PR 316-8	AR		
	9004382-01		SCREWDRIVER,OFFSET	AR		
	9004385-01		SCREWDRIVER,BERYLLIUM,4-1/4 INCH	AR		
	9004385-02		SCREWDRIVER,STANDARD,6-5/8 INCH	AR		
	9004385-03		SCREWDRIVER,BERYLLIUM,8-5/8 INCH	AR		
	9004385-04		SCREWDRIVER,BERYLLIUM,10-1/8 INCH	AR		
	9006973-01		SCREWDRIVER,STUBBY	AR		
	9004381-01		SCREWDRIVER,6 INCH	AR		
	9004381-02		SCREWDRIVER,8 INCH	AR		
	9003712-01		SHIM GAGE,3 MIL	AR		
	9003712-02		SHIM GAGE,5 MIL	AR		
	9003712-03		SHIM GAGE,2 MIL	AR		
	9006975-02		SLEEVE,26 GAGE,WRAP GUN	AR		
	9006975-03		SLEEVE,30 GAGE,WRAP GUN	AR		
	9004362-01		SOLDER WICK	AR		
	9004371-01		SOLDER,60/40 MULTICORE	AR		
	9004375-01		SOLDERING IRON	AR		
	9007574-01		TEE HANDLE,1/4 INCH DRIVE	AR		

Table A-1 List of Standard Tools (Cont)

FIG & INDEX	PART NO.	REF DES.	DESCRIPTION	QTY PER ASSY	USED ON CODE	REF FIG
	9007569-01		TIP,SOLDERING IRON,SMALL	AR		
	9001744-01		TISSUE,LINT-FREE	AR		
	9007573-01		UNIVERSAL JOINT,1/4 INCH DRIVE	AR		
	9006983-01		UNWRAP TOOL,30 GAGE	AR		
	9004376-01		WIRE STRIPPER,.014 GAGE	AR		
	9004377-01		WIRE STRIPPER,IDEAL	AR		
	9006975-01		WIRE WRAP GUN	AR		
	9004387-01		WRENCH SET,ALLEN,.050 TO 1/4 INCH	AR		
	9004388-01		WRENCH,ADJUSTABLE,8 INCH	AR		
	9004389-01		WRENCH,11/32 INCH COMBINATION	AR		
	9004389-02		WRENCH,3/8 INCH COMBINATION	AR		
	9004389-03		WRENCH,7/16 INCH COMBINATION	AR		
	9004389-04		WRENCH,1/2 INCH COMBINATION	AR		
	9004389-05		WRENCH,9/16 INCH COMBINATION	AR		
	9007564-01		WRENCH,3/8 TO 7/16 INCH OPEN END	AR		
	9007564-02		WRENCH,5/16 TO 11/32 INCH OPEN END	AR		
	9007564-03		WRENCH,1/2 TO 9/16 INCH OPEN END	AR		
	9007564-04		WRENCH,5/8 TO 11/16 INCH OPEN END	AR		
	9007564-05		WRENCH,3/4 TO 13/16 INCH OPEN END	AR		
	9007572-01		WRENCH,RATCHET,1/4 INCH DRIVE	AR		

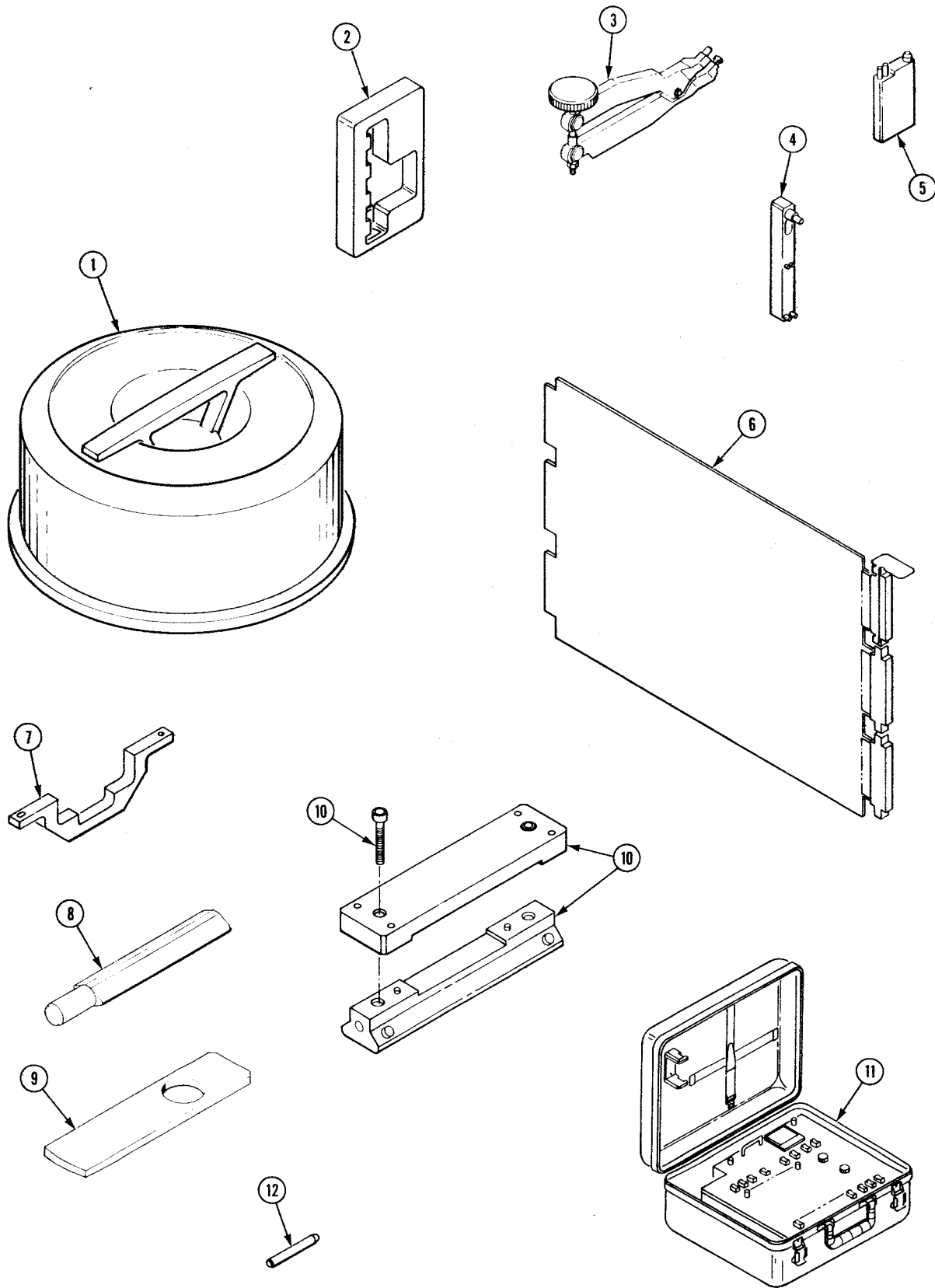


Figure A-1. SPECIAL TOOLS AND TEST EQUIPMENT

PCO23565  
12/76

Table A-2. List of Special Tools

FIG & INDEX	PART NO.	REF DES.	DESCRIPTION	QTY PER ASSY	USED ON CODE	REF FIG
1-1	9023565-01		DISK SCRATCH PACK	AR		20
	9023567-01		CE ALIGNMENT PACK	AR		
-2	9023528-02		HEAD SEPARATOR	AR		
-3	9006626-05		HEAD FINE ALIGNMENT TOOL	AR		
-4	9006867-01		HEAD INSTALLATION TOOL	AR		
-5	9006877-03		HEAD INITIAL ALIGNMENT TOOL	AR		
-6	9023770-01		EXTENDER,PWA NON-INVERTING	AR		
	9023772-01		EXTENDER,PWA INVERTED	AR		
-7	9023913-00		COIL ALIGNMENT TOOL	AR		
-8	9021251-00		EMA MAGNET ALIGNMENT TOOL	AR		
-9	9024104-00		PACK CONE ADJUSTMENT TOOL	AR		
-10	9024189-00		RAIL ALIGNMENT TOOL	AR		
-11	9023456-01		DISK EXERCISER/DIAGNOSTIC UNIT (SEE OPERATION & SERVICE MANUAL MC8327 (UD002534-1) FOR DETAIL PARTS)	AR		
-12	3154854-04		DOWEL PIN,3/16 X 1-1/2 INCH	AR		
	9800317-00		TORQUE WRENCH	AR		
	9800039-10		HEX BIT,6 INCH	AR		
	9800039-11		HEX BIT,1-3/4 INCH	AR		
	9800039-12		SCREWDRIVER,BIT	AR		
	9007567-01		TRIMPOT TOOL	AR		
	9008783-01		LOCKING SHAFT EXTRACTOR TOOL	AR		
	3006130-01		ADHESIVE PRIMER	AR		
	3154747-09		LOCTITE 222	AR		
	3012691-00		LOCTITE 271	AR		

Table A-3. Standard Test Equipment Accessories

FIG & INDEX	PART NO.	REF DES.	DESCRIPTION	QTY PER ASSY	USED ON CODE	REF FIG
	9004410-01		JUMPER,6 INCH	AR		
	9004410-02		JUMPER,12 INCH	AR		
	9004410-03		JUMPER,18 INCH	AR		
	9004411-01		JUMPER ASSY,TEST PROBE WIREWRAP PIN	AR		
	9007364-01		PROBE,TEKTRONIX DC-250 MHZ,10X	AR		
	9007365-01		PROBE TIP,HP,0.025 SQUARE PIN	AR		
	9007361-01		PROBE TIP,6-32 SCREW ON,STRAIGHT	AR		
	9007360-01		TAG SET,PROBE IDENTIFICATION	AR		
	9004363-01		TEST CLIP,IC	AR		



MANUAL CHANGE SHEET

SPERRY UNIVAC

MANUAL NO. MC8310 PRINT DATE February, 1977

MANUAL SHOULD BE CHANGED BECAUSE IT CONTAINS INFORMATION WHICH IS:

OUT OF DATE [ ] ERRONEOUS [ ] INCOMPLETE [ ] MISLEADING [ ] POORLY ORGANIZED [ ]

OTHER \_\_\_\_\_

REVISE MANUAL AS FOLLOWS:

Multiple horizontal lines for revising the manual.

TECHNICAL PUBLICATIONS ONLY

REQUEST IS JUDGED VALID AND WARRANTS:

ESTIMATED TIME REQUIRED TO COMPLY (M/H)

IMMEDIATE ACTION [ ]

ACTION AT NEXT PRINTING [ ]

ILLUSTRATOR

WRITER

TYPIST

TOTAL

REQUEST IS JUDGED INVALID BECAUSE: \_\_\_\_\_

REVIEWED BY \_\_\_\_\_ DATE \_\_\_\_\_

FIRST CLASS  
PERMIT NO. 157  
CUPERTINO, CA

**BUSINESS REPLY MAIL**  
NO POSTAGE STAMP NECESSARY IF MAILED IN THE U.S.A.

POSTAGE WILL BE PAID BY

INFORMATION STORAGE SYSTEMS, INC  
10435 NORTH TANTAU AVENUE  
CUPERTINO, CALIFORNIA 95014

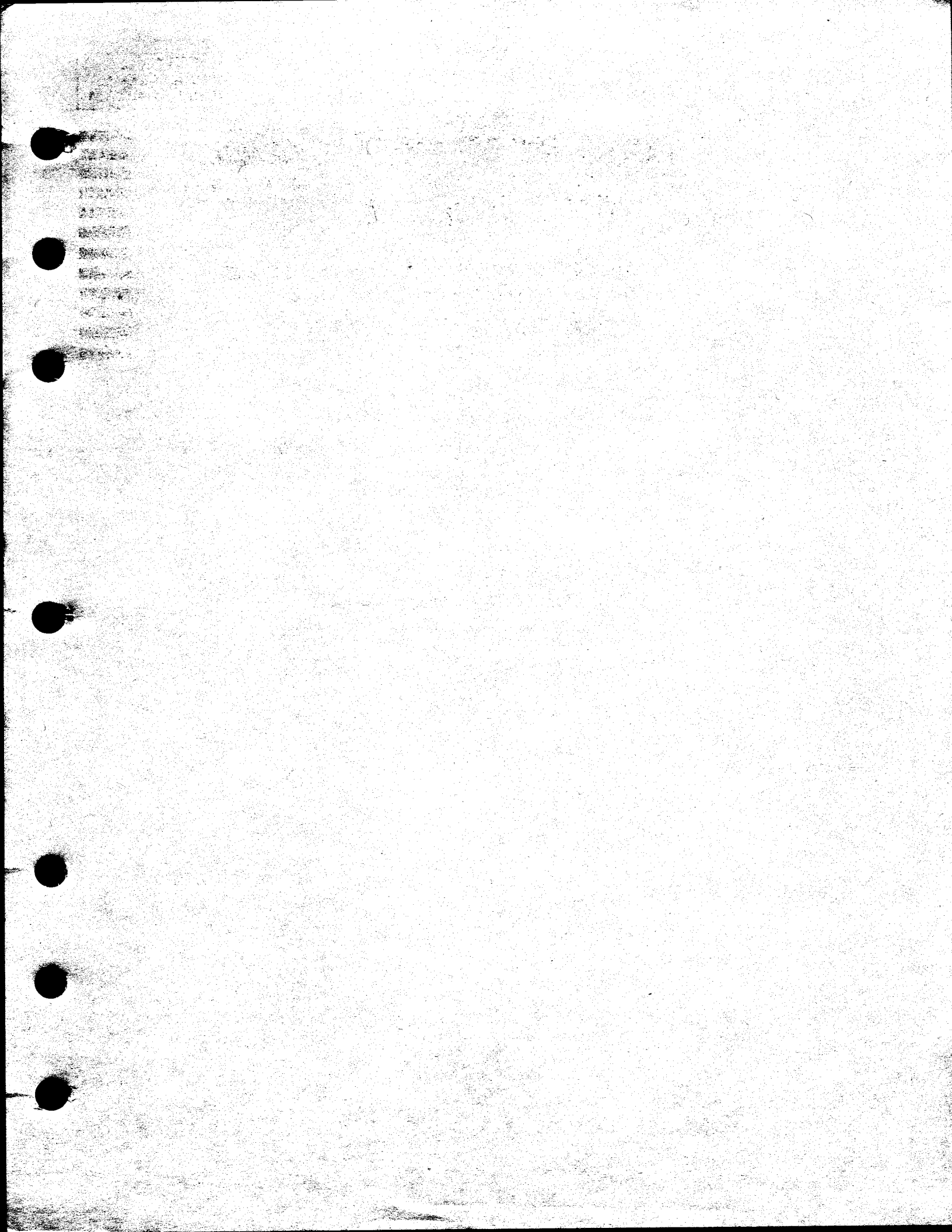


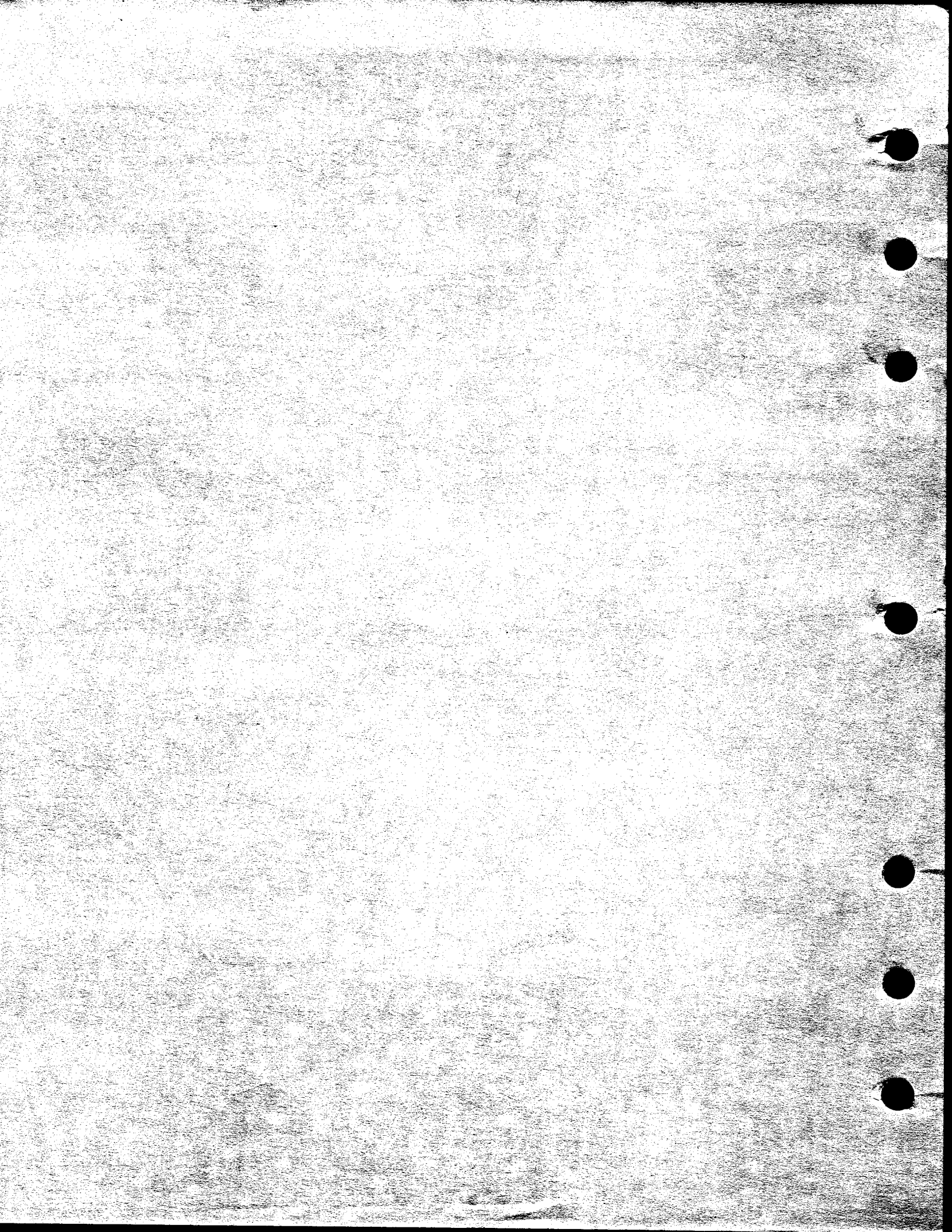
ATTN: TECHNICAL PUBLICATIONS

FOLD ON DOTTED LINE  
AND STAPLE











MANUAL CHANGE SHEET

SPERRY UNIVAC

MANUAL NO. MC8310 PRINT DATE February, 1977

MANUAL SHOULD BE CHANGED BECAUSE IT CONTAINS INFORMATION WHICH IS:

OUT OF DATE [ ] ERRONEOUS [ ] INCOMPLETE [ ] MISLEADING [ ] POORLY ORGANIZED [ ]

OTHER \_\_\_\_\_

REVISE MANUAL AS FOLLOWS:

Multiple horizontal lines for revising the manual.

TECHNICAL PUBLICATIONS ONLY

REQUEST IS JUDGED VALID AND WARRANTS:

ESTIMATED TIME REQUIRED TO COMPLY (M/H)

IMMEDIATE ACTION [ ]

ACTION AT NEXT PRINTING [ ]

\_\_\_\_ ILLUSTRATOR
\_\_\_\_ WRITER
\_\_\_\_ TYPIST
\_\_\_\_ TOTAL

REQUEST IS JUDGED INVALID BECAUSE: \_\_\_\_\_

REVIEWED BY \_\_\_\_\_ DATE \_\_\_\_\_

FIRST CLASS  
PERMIT NO. 157  
CUPERTINO, CA

**BUSINESS REPLY MAIL**  
NO POSTAGE STAMP NECESSARY IF MAILED IN THE U.S.A.

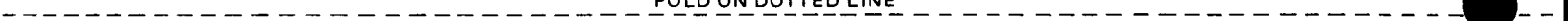
POSTAGE WILL BE PAID BY

INFORMATION STORAGE SYSTEMS, INC  
10435 NORTH TANTAU AVENUE  
CUPERTINO, CALIFORNIA 95014



ATTN: TECHNICAL PUBLICATIONS

FOLD ON DOTTED LINE  
AND STAPLE









MANUAL CHANGE SHEET

SPERRY UNIVAC

MANUAL NO. MC8309 PRINT DATE February, 1977

MANUAL SHOULD BE CHANGED BECAUSE IT CONTAINS INFORMATION WHICH IS:

OUT OF DATE [ ] ERRONEOUS [ ] INCOMPLETE [ ] MISLEADING [ ] POORLY ORGANIZED [ ]

OTHER \_\_\_\_\_

REVISE MANUAL AS FOLLOWS:

Multiple horizontal lines for revising the manual.

TECHNICAL PUBLICATIONS ONLY

REQUEST IS JUDGED VALID AND WARRANTS:

ESTIMATED TIME REQUIRED TO COMPLY (M/H)

IMMEDIATE ACTION [ ]

ILLUSTRATOR

ACTION AT NEXT PRINTING [ ]

WRITER

TYPIST

TOTAL

REQUEST IS JUDGED INVALID BECAUSE: \_\_\_\_\_

Two horizontal lines for additional comments.

REVIEWED BY \_\_\_\_\_ DATE \_\_\_\_\_

FIRST CLASS  
PERMIT NO. 157  
CUPERTINO, CA

**BUSINESS REPLY MAIL**  
NO POSTAGE STAMP NECESSARY IF MAILED IN THE U.S.A.

POSTAGE WILL BE PAID BY

INFORMATION STORAGE SYSTEMS, INC  
10435 NORTH TANTAU AVENUE  
CUPERTINO, CALIFORNIA 95014



ATTN: TECHNICAL PUBLICATIONS

FOLD ON DOTTED LINE  
AND STAPLE









MANUAL CHANGE SHEET

SPERRY-LINIVAC

MANUAL NO. MC8310 PRINT DATE October, 1975

MANUAL SHOULD BE CHANGED BECAUSE IT CONTAINS INFORMATION WHICH IS:

OUT OF DATE  ERRONEOUS  INCOMPLETE  MISLEADING  POORLY ORGANIZED

OTHER \_\_\_\_\_

REVISE MANUAL AS FOLLOWS:

Multiple horizontal lines for revising the manual.

TECHNICAL PUBLICATIONS ONLY

REQUEST IS JUDGED VALID AND WARRANTS:

ESTIMATED TIME REQUIRED TO COMPLY (M/H)

IMMEDIATE ACTION

\_\_\_\_\_ ILLUSTRATOR

ACTION AT NEXT PRINTING

\_\_\_\_\_ WRITER

\_\_\_\_\_ TYPIST

\_\_\_\_\_ TOTAL

REQUEST IS JUDGED INVALID BECAUSE: \_\_\_\_\_

REVIEWED BY \_\_\_\_\_ DATE \_\_\_\_\_

FIRST CLASS  
PERMIT NO. 157  
CUPERTINO, CA

**BUSINESS REPLY MAIL**  
NO POSTAGE STAMP NECESSARY IF MAILED IN THE U.S.A.

POSTAGE WILL BE PAID BY

INFORMATION STORAGE SYSTEMS, INC  
10435 NORTH TANTAU AVENUE  
CUPERTINO, CALIFORNIA 95014



ATTN: TECHNICAL PUBLICATIONS

FOLD ON DOTTED LINE  
AND STAPLE











FOLD ALONG DOTTED LINE AND STAPLE



# BOOK CHANGE REQUEST

BOOK/ORDER NO. (S70)		REV.	TITLE	EQUIP. SERIAL NO. (S70)	
LOCATION ISSUING REQUEST					
NAME			LOCATION/SITE NO. (S70)		DATE
TELEPHONE		ADDRESS			
DESCRIBE CHANGE OR PROBLEM. IDENTIFY PAGE & PARAGRAPH OR FIGURE OR TABLE NO.					
PAGE NO.	PARAGRAPH/FIGURE/TABLE NO.	RECOMMENDED CHANGE (PREFER "IS" AND "SHOULD BE")			
FINAL DISPOSITION					
EVALUATED BY		<input type="checkbox"/> APPROVED <input type="checkbox"/> REJECTED		DATE	
		REASON:		BCR NO.	

SEPARATE ALONG DOTTED LINE

SEPARATE ALONG DOTTED LINE

# BOOK CHANGE REQUEST

FOLD ALONG DOTTED LINE

FIRST CLASS  
PERMIT NO. 21  
BLUE BELL, PA.

**BUSINESS REPLY MAIL** NO POSTAGE STAMP NECESSARY IF MAILED IN THE USA

POSTAGE WILL BE PAID BY

**SPERRY UNIVAC**

ATTN: MAINTENANCE INFORMATION DEPT.

P. O. BOX 500

BLUE BELL, PENNSYLVANIA 19422

FOLD ALONG DOTTED LINE AND STAPLE