


NOTES: (UNLESS OTHERWISE SPECIFIED)

1. THIS DRAWING CONSISTS OF THE FOLLOWING SHEETS:
 1.0, 2.0, 3.0, 4.0, 5.0, 6.0, 7.0, 8.0, 9.0, 10.0, 11.0

REFERENCE DESIGNATIONS	
LAST USED	NOT USED
C 37	C1, 2, 5, 6 C13-23
P3	P2

REFERENCE DRAWINGS	
44D0451	ASSEMBLY
44P0451	PARTS LIST
95W0606	WIRE LIST
40D0458	P.W. BOARD
97D0538	ARTWORK
97D0539	SILKSCREEN (COMP)
97D0540	SILKSCREEN (CKT)
97D0542	SOLDER MASK

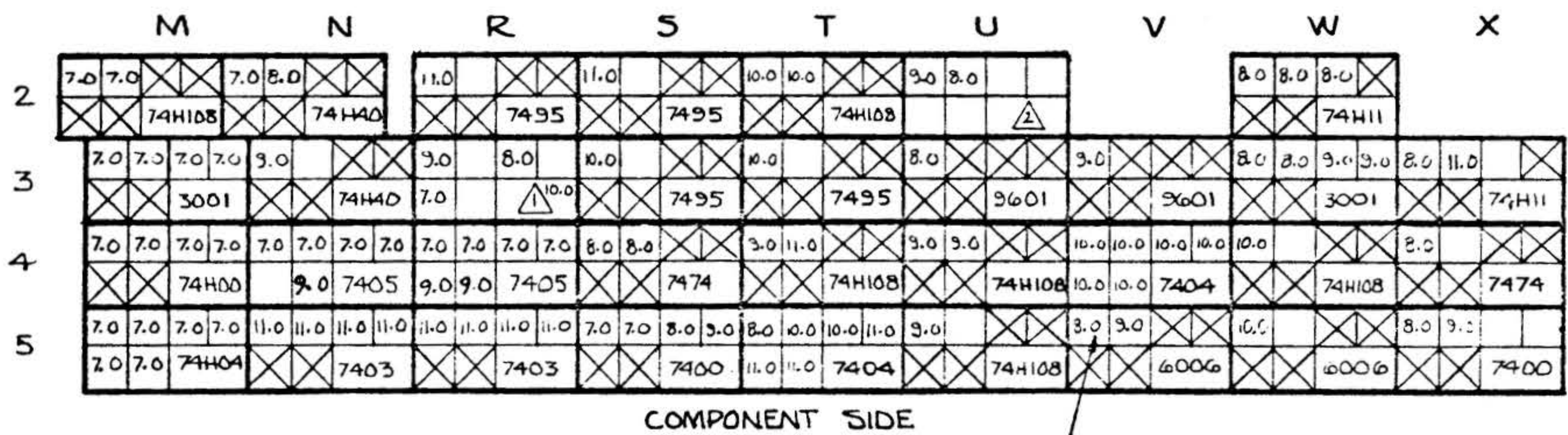
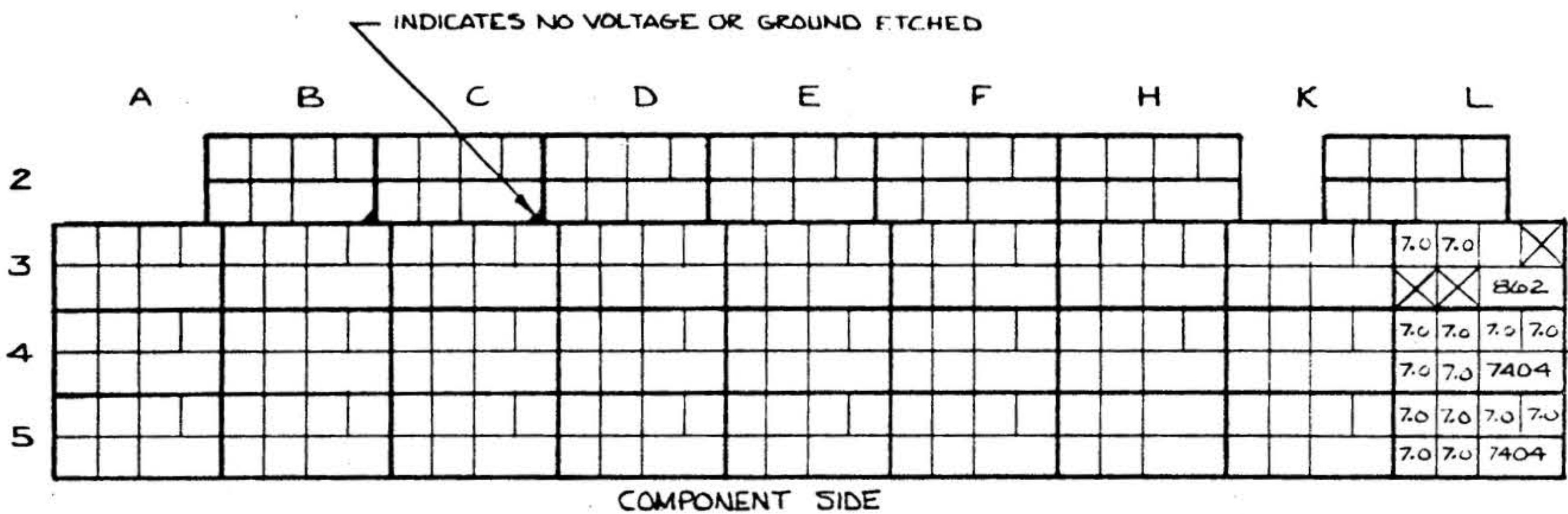
DB MANCARELLA 4-21-71	 varian data machines / a varian subsidiary 2722 michelson drive / irvine / california / 92664	TITLE			
CHK A 1/60 4/20/71		LOGIC DIAG, TTY/ABL CONT.			
DSON		CODE IDENT NO.	SIZE	DWG NO	REV
ENGR R C DRUMM 10/13/70		21101	C	910219	G
APP'D BROCKETT 10/13/70		SCALE		SHEET	
APP'D MARTIN 10/13/70		620/F-15		1.0	
THIS DOCUMENT MAY CONTAIN PROPRIETARY INFORMATION AND SUCH INFORMATION MAY NOT BE DISCLOSED TO OTHERS FOR ANY PURPOSE OR USED TO PRODUCE THE ARTICLE OR SUBJECT, WITHOUT WRITTEN PERMISSION FROM VDM					

REVISIONS			
SYM	ZONE	DESCRIPTION	APPROVED
F	2M	ADD PULLUP RESISTORS TO UNUSED I.C. CKT PINS. PER EN: 5340 UPDATED AND REDRAWN	<i>(Signature)</i>
G		REVISED PER EN 8006	<i>(Signature)</i>

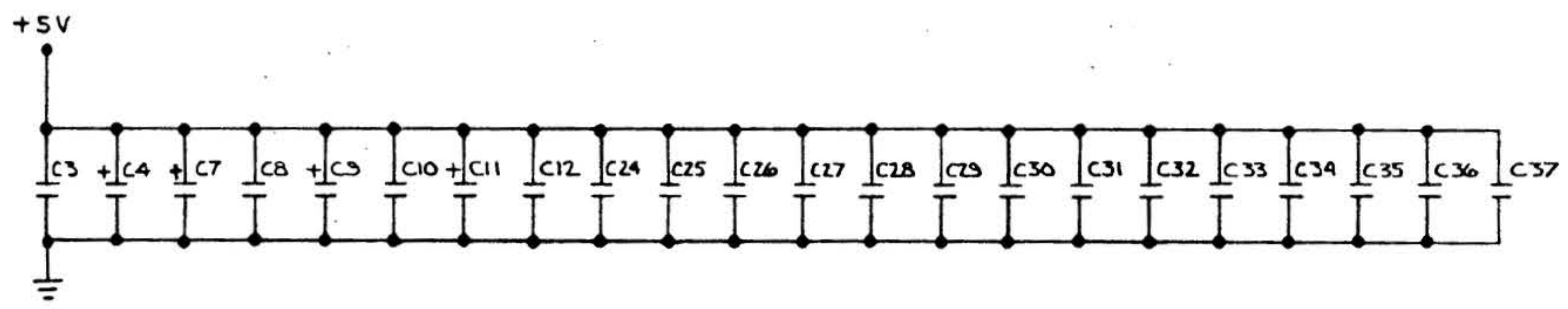
TABLE OF CONTENTS

<u>DESCRIPTION</u>	<u>SHEET NO.</u>
COVER	1.0
REVISION AND TABLE OF CONTENTS	2.0
COMPONENT MAP AND DECOUPLING	3.0
POWER AND GRD. WIRED DISTRIBUTION	4.0
CONNECTOR	5.0, 6.0
CONTROL LOGIC AND SENSE RESPONSE	7.0
WRITE REGISTER CONTROL LOGIC	8.0
READ REGISTER CONTROL LOGIC	9.0
WRITE REGISTER	10.0
READ REGISTER	11.0

CODE IDENT NO.	SIZE	DWG NO
21101	C	910219
SCALE		SHEET 2.0



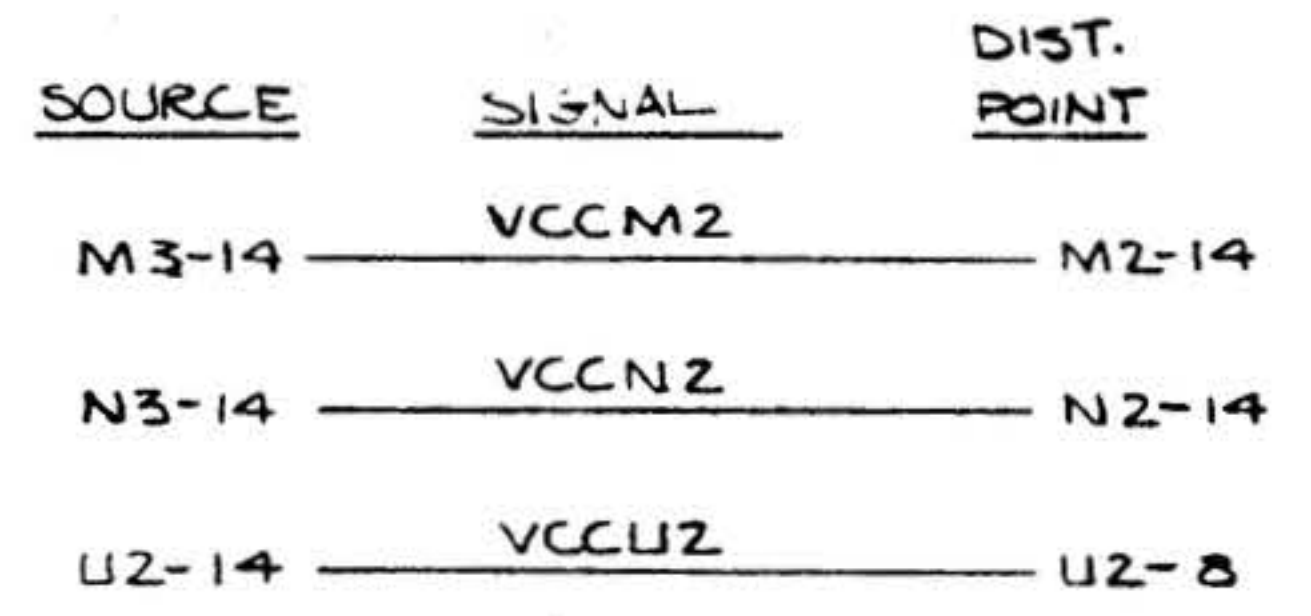
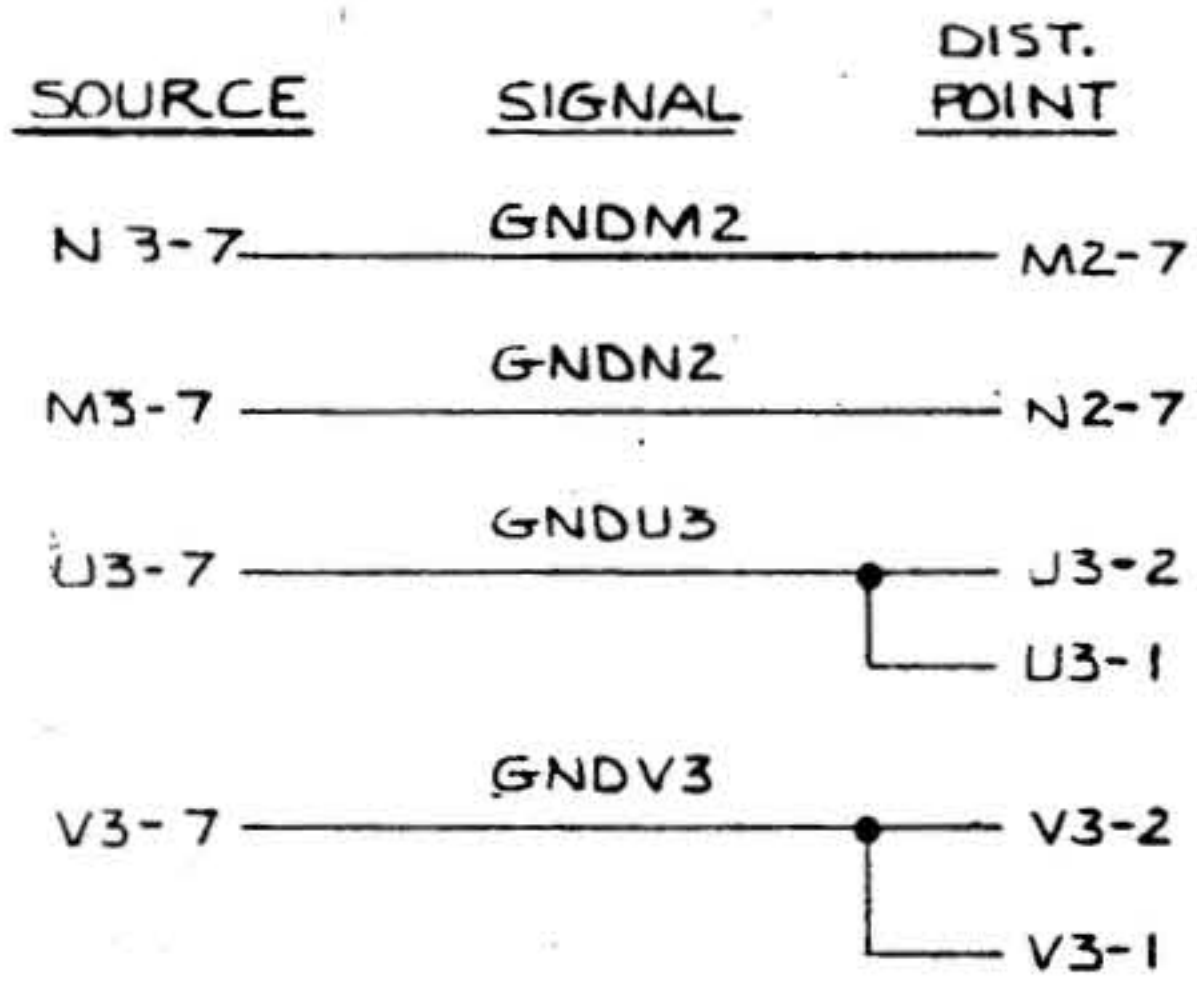
- △ RESISTOR ASSY 49A0025-000
- △ COMPONENT ASSY 01C0995-000



CAPACITORS C4,7,9,11 ARE 2.2uF, 20V
 CAPACITORS C3,8,10,12,24-37 ARE .1uF, 100V

COMPONENT MAP AND DECOUPLING

CODE IDENT NO.	SIZE	DWG NO	REV
21101	C	91C0219	G
SCALE			SHEET 3.0



POWER AND GRD WIRED DISTRIBUTION

CODE IDENT NO.	SIZE	DWG NO	REV
21101	C	9100219	G
SCALE		SHEET 4.0	

CONNECTOR P1

PINS	FUNCTION	SHEET
1	+5V	
2	GRD	
3	+5V	
4	GRD	
5		
6		
7		
8		
9		
10		
11		
12		
13		
14		
15		
16		
17		
18		
19		
20		
21		
22		
23		
24		
25		
26		
27		
28		
29		
30		
31		
32		
33		
34		
35		
36		
37		
38		
39		
40		
41		

CONNECTOR P1

PINS	FUNCTION	SHEET
42		
43		
44		
45		
46		
47		
48		
49		
50		
51		
52		
53		
54		
55	AB00-C	11.0
56	AB01-C	11.0
57	AB02-C	11.0
58	AB03-C	11.0
59	AB04-C	11.0
60	AB05-C	11.0
61	AB06-C	11.0
62	AB07-C	11.0
63		
64		
65		
66		
67		
68		
69		
70		
71		
72		
73		
74		
75		
76		
77	+5V	
78	GRD	
79	+5V	
80	GRD	

CONNECTOR P2

PINS	FUNCTION	SHEET
1		
2		
3		
4		
5		
6		
7		
8		
9		
10		
11		
12		
13		
14		
15		
16		
17		
18		
19		
20		
21		
22		
23		
24		
25		
26		
27		
28		
29		
30		

CONNECTOR

CODE IDENT NO.	SIZE	DWG NO	REV
21101	C	900219	1
SCALE	SHEET		5.0

CONNECTOR P3

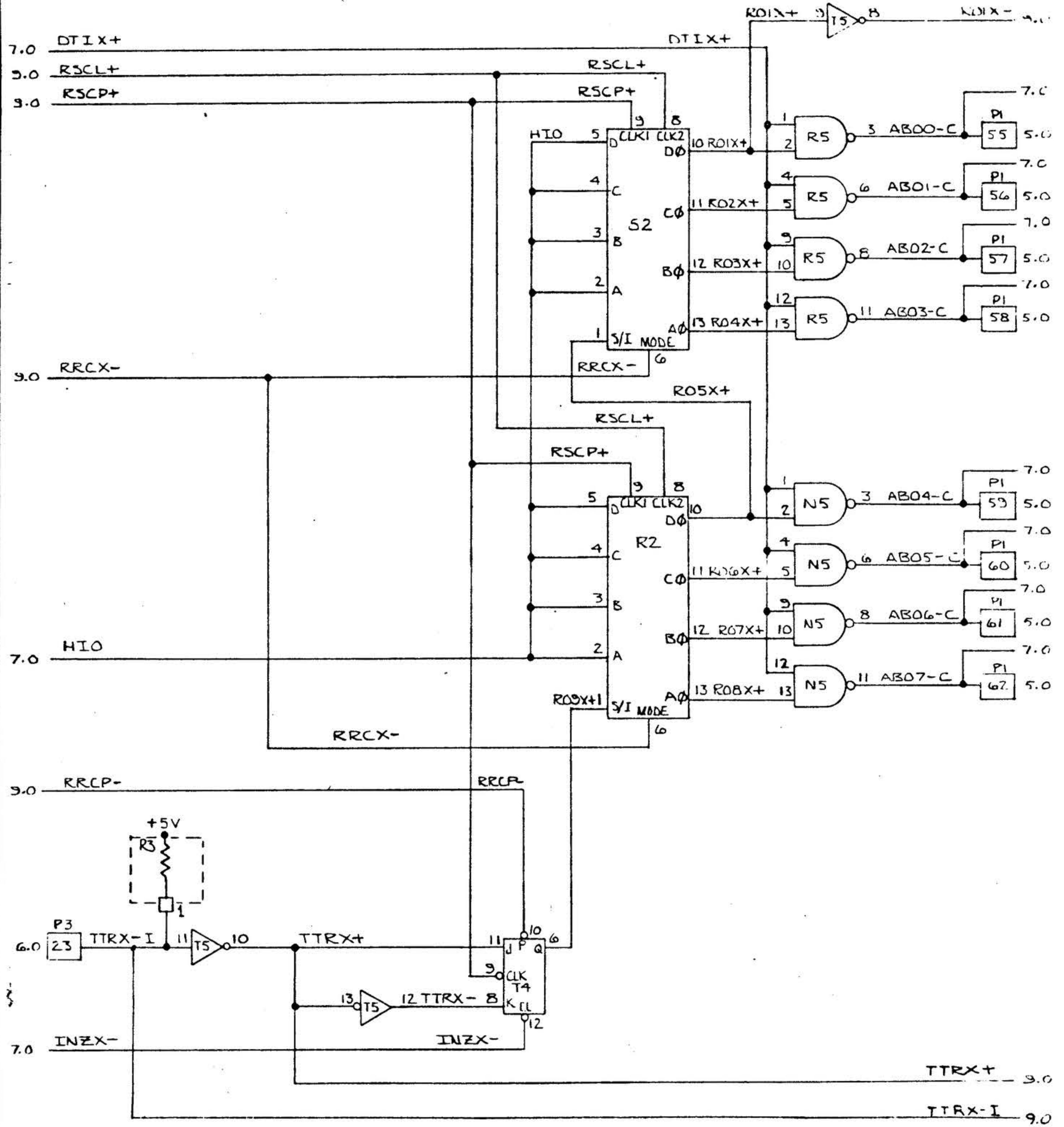
PINS	FUNCTION	SHEET
1	+5V	
2	GRD.	
3	+5V	
4	GRD.	
5		
6		
7		
8		
9	RDDX+	9.0
10	SDTØX-	9.0
11	WRDY-	8.0
12	RCLP+	9.0
13		
14	AB11-C	7.0
15		
16		
17	IUAX-C	7.0
18	DRYX-C	7.0
19		
20	FRYX-C	7.0
21		
22		
23	TTRX-I	11.0
24		
25		
26	WCKP+	8.0
27		
28		
29		
30		
31		
32		
33		
34	SERX-C	7.0
35	AB13-C	7.0
36	AB14-C	7.0
37	ABØ8-C	7.0
38	SYRT-C	7.0
39		
40		
41		

CONNECTOR P3

PINS	FUNCTION	SHEET
42		
43		
44		
45		
46		
47		
48		
49		
50		
51		
52		
53		
54		
55		
56		
57		
58		
59		
60	SDTIX-	7.0
61		
62		
63		
64		
65		
66		
67		
68		
69	IUAA-I	8.0
70	IUBB-I	9.0
71		
72		
73		
74		
75	TTDØ-	10.0
76		
77	+5V	
78	GRD.	
79	+5V	
80	GRD.	

CONNECTOR

CODE IDENT NO.	SIZE	DWG NO	REV
21101	C	910219	G
SCALE		SHEET	60



READ REGISTER

CODE IDENT NO.	SIZE	DWG NO	REV
21101	C	9100219	G
SCALE		SHEET	11.0

QUANTITY REQ'D PER DASH NO							PARTS LIST						CODE IDENT 21101	
				002	001	000	FIND NO	PART NUMBER	DESCRIPTION	REMARKS			ZONE	
				REF	REF	REF	-	44D0451 E	ASSEMBLY					
				REF	-	REF	-	95W0606 F	WIRE LIST					
				REF	REF	-	-	95W0723 A	WIRE LIST					
				REF	-	REF	-	91C0219 G	LOGIC DIAGRAM					
				REF	REF	-	-	91C0261 A	LOGIC DIAGRAM					
				1	1	1	1	40D0458-000	P.W. BOARD					
				31	14	18	2	71A0004-100	CAPACITOR .1uf					
				6	3	4	3	71N0200-225	CAPACITOR 2.2uf					
				6	-	6	4	49A0099-000	I.C. SN74H108N					
				2	-	2	5	49A0019-000	I.C. SN74H40N					
				6	2	4	6	49A0090-001	I.C. SN7495N					
				3	1	2	7	49A0022-000	I.C. SN74H11N					
				1	-	1	8	49A0009-000	I.C. SN15862N					
				3	1	2	9	49A0104-000	I.C. MC3001P					
				2	1	1	10	49A0025-000	RESISTOR ASSY					
				2	-	2	11	49A0146-000	I.C. U6E960129					
				6	2	4	12	49A0040-000	I.C. SN7404N					
				1	-	1	13	49A0039-000	I.C. SN74H00N					
NEXT ASSY 01A0951							MODEL NO 620/f-15			APPD <i>Whiteout</i>			TITLE: PARTS LIST	
REV	A	B	C	D	E	F	G	H	J	K	L	TTY/ABL CONTROLLER ASSY		
EN NO	4847	4913	5007	5082	5152	5246	5269	5340	80006	80895	81261			
DATE	10-10-71	11-23-70	1-11-71	1-11-71	1-11-71	4-21-71	4-21-71	4-21-71	12-10-71	7/16/72	3/27/72	DWG NO		
DR	JZ	GRL	DM	D.W	F.M	SM	SM	SM	JS	F.H	PSH	44PO451		
CHK	EB	RAD	RAD	KAL	LS	WLD	WLD	WLD	WLD	WLD	WLD	SHEET 1 OF 2		

26A0017-000B

4/29/71 4/29/71 4/29/71

QUANTITY REQ'D PER DASH NO				PARTS LIST					CODE IDENT : 21101		
				002	001	000	FIND NO	PART NUMBER	DESCRIPTION	REMARKS	ZONE
				4	2	2	14	49A0575-000	I.C. SN7405J		
				4	2	2	15	49A0012-000	I.C. SN7474N		
				1	-	1	16	49A0023-000	I.C. SN74H04N		
				9	7	2	17	49A0081-001	I.C. SN7403N		
				2	-	2	18	49A0010-000	I.C. SN6006N		
				3	1	2	19	49A0007-000	I.C. SN7400N		
				1	-	1	20	01C0995-000	COMPONENT ASSY		
				59	22	37	21	58A0060-000	SOCKET, 14 PIN		
				2	2	-	22	58A0060-001	SOCKET, 16 PIN		
							23				
				174	72	174	24	58A0062-002	POST, WIRE WRAP		
				1	1	1	25	16S1057-061	CARD HANDLE		
				0	0	0	26	53A0333-040	WIRE, KYNAR, YEL	30 AWG	
				1	1	1	27	16S1057-056	CARD HANDLE		
				2	2	-	28	49A0112-000	I.C. SN7493N		
				1	1	-	29	49A0041-000	I.C. SN74H51N		
NOTES :										DWG NO 44P0451	REV L
										SHEET <u>2</u> OF <u>2</u>	

96A0017-001B