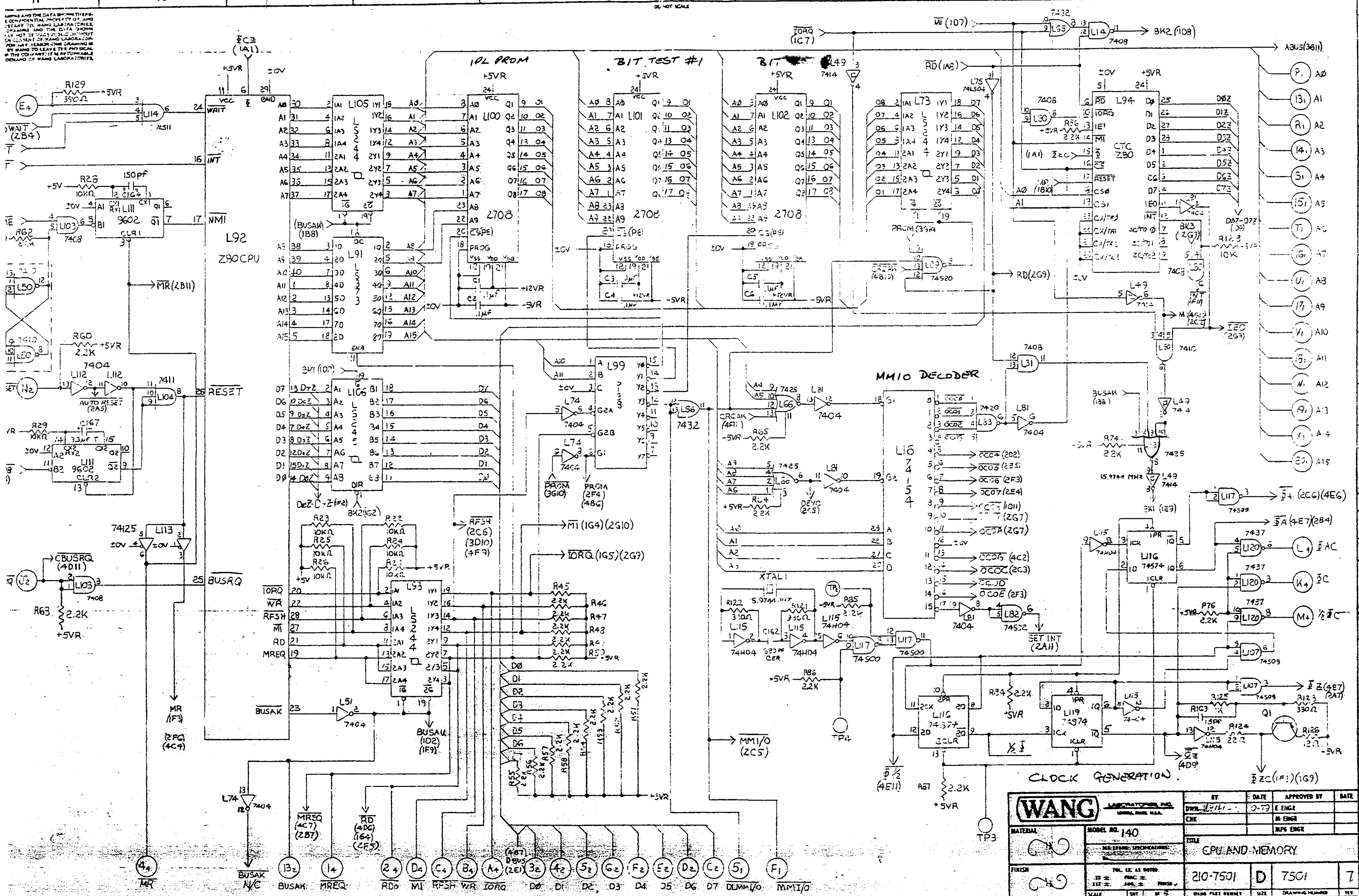
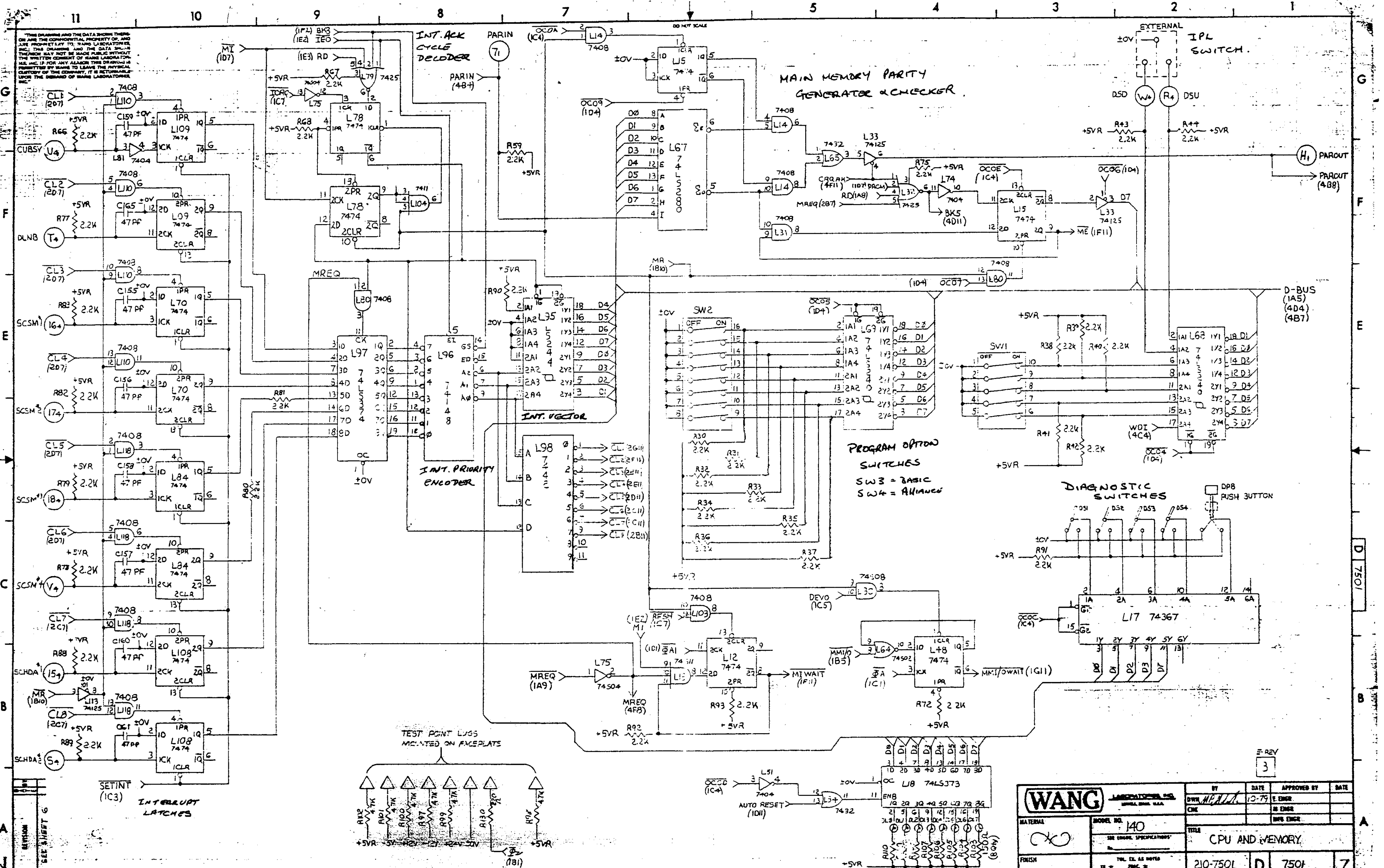


WANG LABORATORIES, INC. 210-7501
 DRAWING NO. 210-7501-1
 DATE 10-79
 E ENGR
 M ENGR
 JMS ENGR



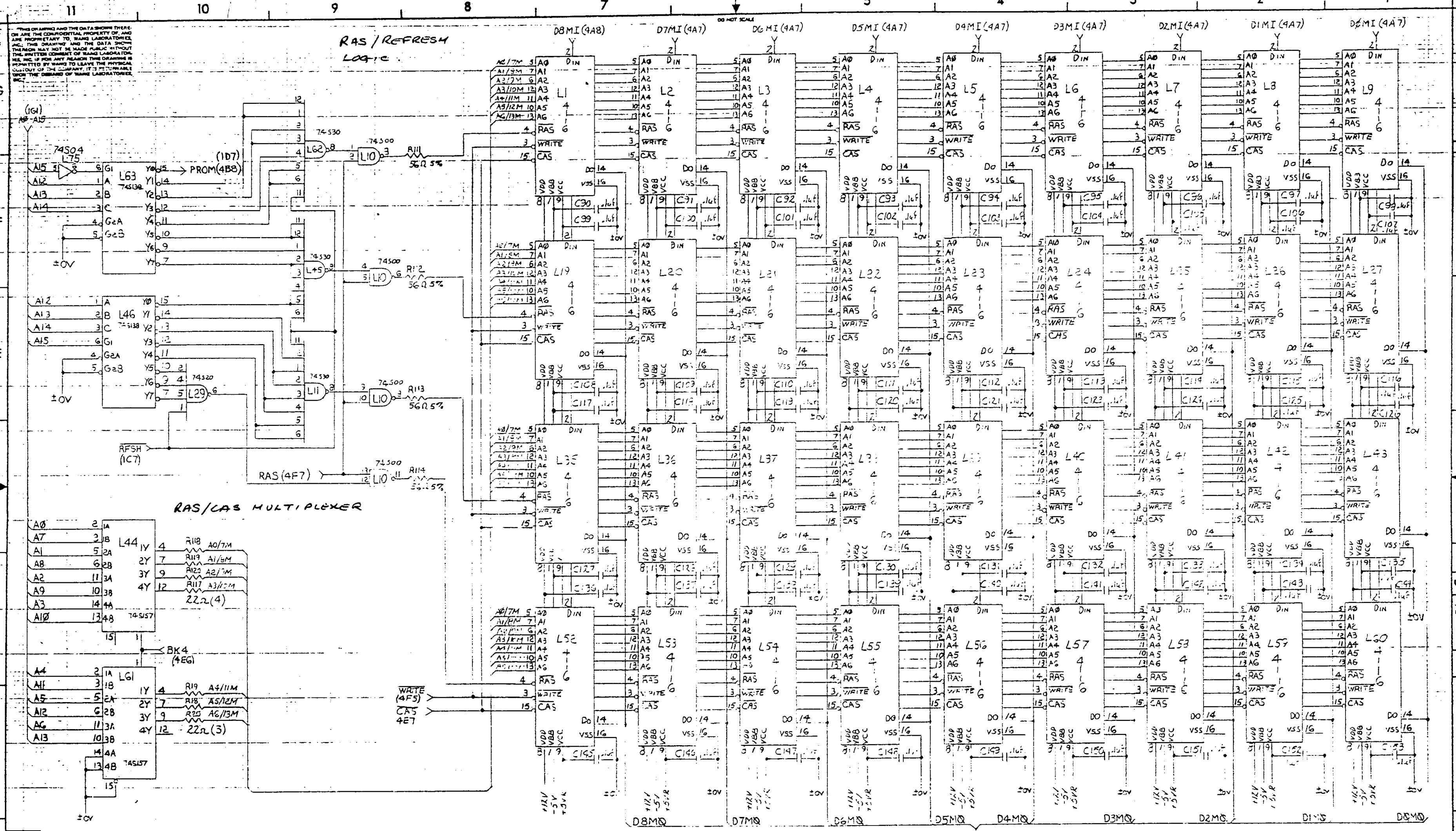
WANG LABORATORIES, INC.		BY	DATE	APPROVED BY	DATE
DRAWING NO. 210-7501-1		DWA	10-79	E ENGR	
TITLE		CNK		M ENGR	
MODEL NO. 140				JMS ENGR	
CPU AND MEMORY					
210-7501					
D					
7501					
7					



THIS DRAWING AND THE DATA THEREON ARE THE CONFIDENTIAL PROPERTY OF, AND ARE LOANED TO YOU BY, WANG LABORATORIES, INC. THIS DRAWING AND THE DATA THEREON MAY NOT BE REPRODUCED OR TRANSMITTED IN ANY FORM OR BY ANY MEANS, ELECTRONIC OR MECHANICAL, INCLUDING PHOTOCOPYING, RECORDING, OR BY ANY INFORMATION STORAGE AND RETRIEVAL SYSTEM, WITHOUT THE WRITTEN PERMISSION OF WANG LABORATORIES, INC. IF FOR ANY REASON THIS DRAWING IS REPRODUCED BY YOU TO LEAVE THE PHYSICAL COPY OF THE COMPANY, IT IS RETURNABLE TO THE COMPANY AT THE REQUEST OF WANG LABORATORIES, INC.

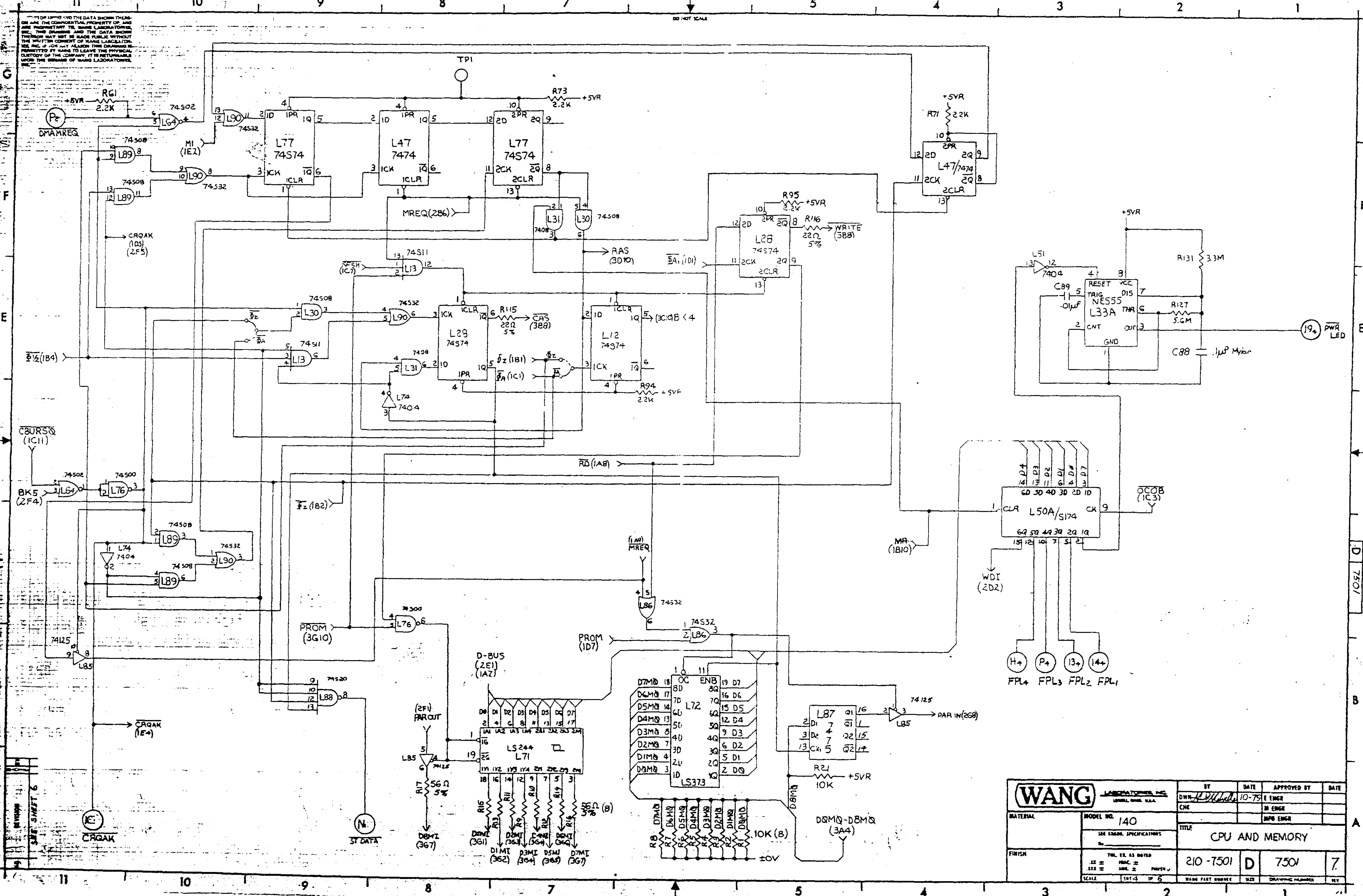
WANG LABORATORIES, INC. WALTHAM, MASS. U.S.A.		BY DWN. HEATH	DATE 12-79	APPROVED BY E. ENGR.	DATE
MATERIAL	MODEL NO. 140	TITLE CPU AND MEMORY			
FINISH	SCALE 1:1	210-750L	D	750L	7

F REV
3



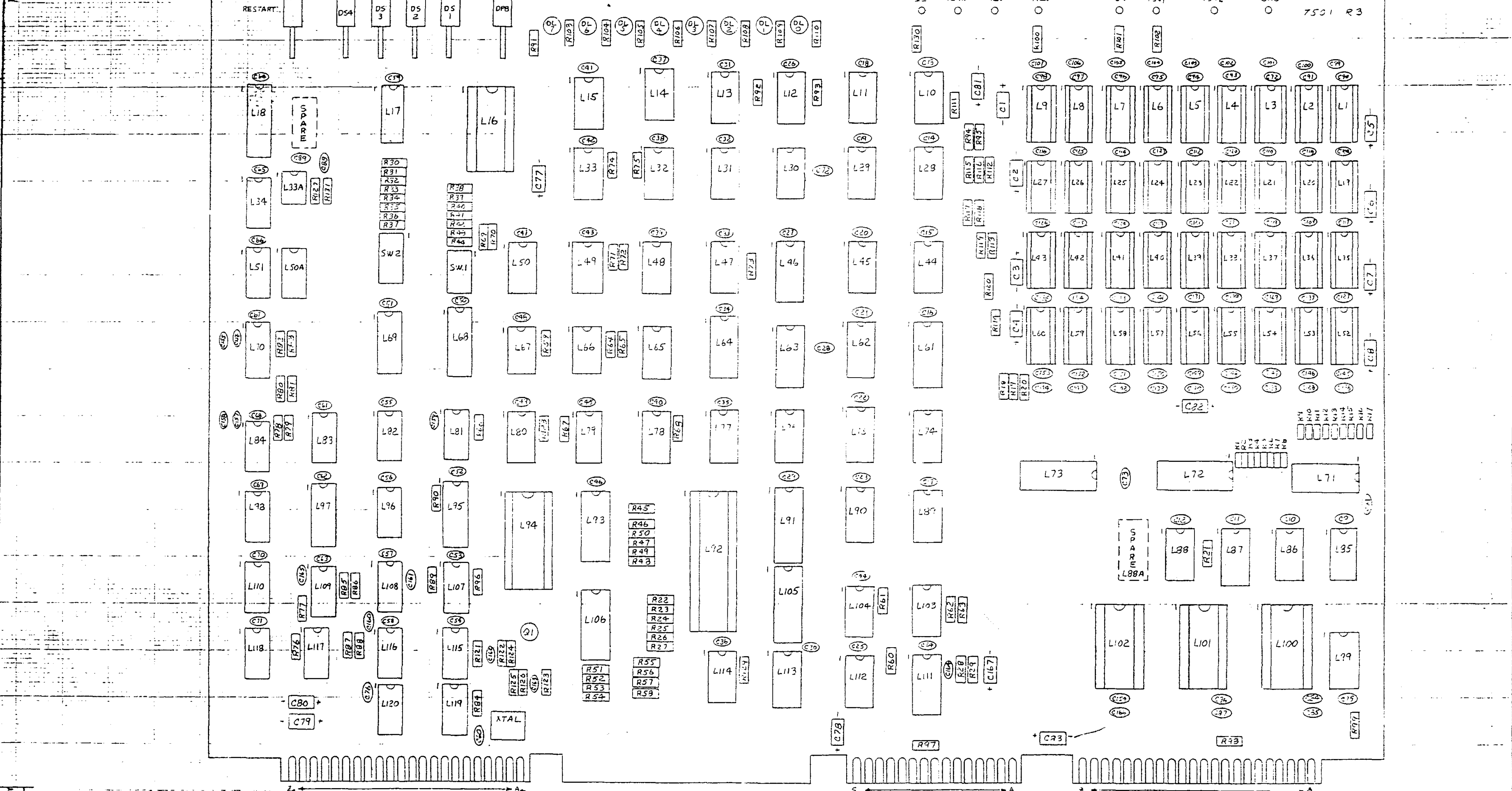
WANG LABORATORIES, INC. 210-7501 WANG PART NUMBER		BY: ENGR DATE: 10-73 APPROVED BY: E ENGR DATE:
MATERIAL:	MODEL NO. 140 SEE ENGR. SPECIFICATIONS	TITLE: CPU AND MEMORY
FINISH:	100% AS NOTED 100% FINISH	210-7501 D 7501 7

FOR THE DATA SHOWN THEREIN ARE THE CONFIDENTIAL PROPERTY OF AND ARE PROPRIETARY TO WANG LABORATORIES, INC. THIS DRAWING AND THE DATA SHOWN THEREON MAY NOT BE MADE PUBLIC WITHOUT THE WRITTEN CONSENT OF WANG LABORATORIES, INC. IF FOR ANY REASON THIS DRAWING IS REPRODUCED OR COPIED IN ANY MANNER BY ANYONE OTHER THAN WANG LABORATORIES, INC. THE REPRODUCER OR COPIER SHALL BE RESPONSIBLE FOR OBTAINING THE NECESSARY PERMISSION FROM WANG LABORATORIES, INC.



WANG LABORATORIES, INC. LABORATORY BLDG. W.A.A.		BY	DATE	APPROVED BY	DATE
MODEL NO. 140		CHK	10-79	ENGR	
USE ENGR. SPECIFICATIONS		TITLE			
		CPU AND MEMORY			
FINISH		TOL. EX. AS NOTED	210-7501	D	7501
		1:1			7
		SCALE	1/8" = 1"	DATE	10-79

THIS DRAWING AND THE DATA THEREON OR ARE THE CONFIDENTIAL PROPERTY OF, AND ARE PROPRIETARY TO, WANG LABORATORIES, INC. THE DRAWING AND THE DATA THEREON MAY NOT BE MADE PUBLIC WITHOUT THE WRITTEN CONSENT OF WANG LABORATORIES, INC. IN ANY MANNER. THIS DRAWING IS PERMITTED BY WANG TO LEAVE THE PHYSICAL CUSTODY OF THE COMPANY. IT IS RETURNABLE UPON THE DEMAND OF WANG LABORATORIES, INC.



SEE SH 6

WANG LABORATORIES, INC. LOWELL, MASS. U.S.A.		BY	DATE	APPROVED BY	DATE
		DWN/In the file	10/77	E ENGR	
MATERIAL MODEL NO. 140 SEE ENGR. SPECIFICATIONS		CHE		M ENGR	
				REP ENGR	
FINISH		TITLE		DATE	
TOG. IS. AS NOTED XX = AM. = FINISH SCALE = 1/8" = 1"		CPU AND MEMORY 210-7501		D	7501 7
WANG PART NUMBER		SIZE	DRAWING NUMBER		

THIS DRAWING AND THE DATA SHOWN THEREON ARE THE CONFIDENTIAL PROPERTY OF, AND ARE PROPRIETARY TO, WANG LABORATORIES, INC. THE INFORMATION AND DATA CONTAINED HEREIN MAY NOT BE MADE PUBLIC WITHOUT THE WRITTEN CONSENT OF WANG LABORATORIES, INC. IF FOR ANY REASON THIS DRAWING IS REPRODUCED BY ANY OTHER PARTY, IT IS THE PROPERTY OF WANG LABORATORIES, INC. AND WILL BE RETURNED TO WANG LABORATORIES, INC. UPON THE DEMAND OF WANG LABORATORIES, INC.

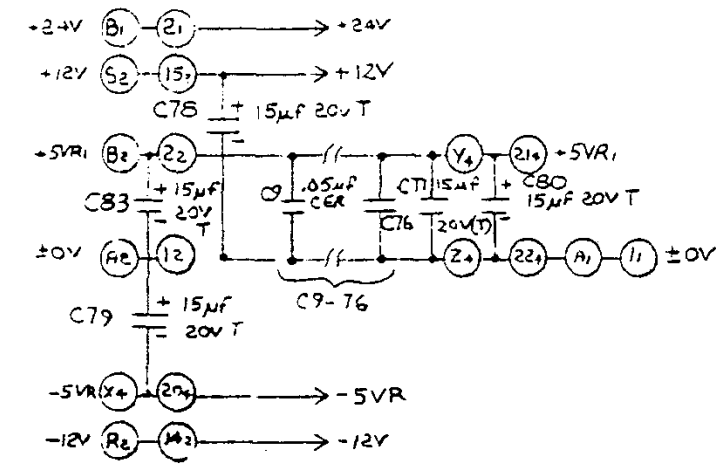
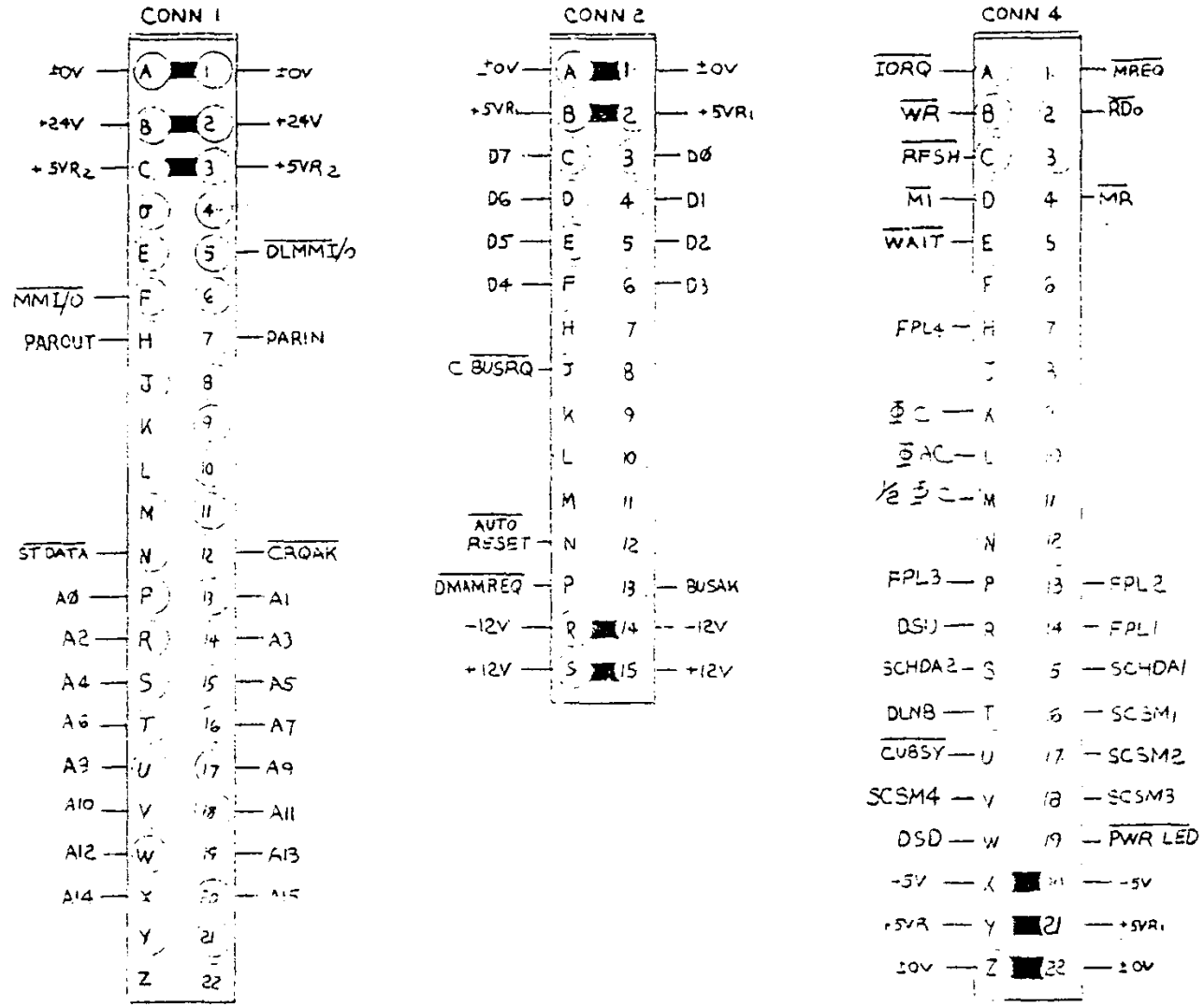
COMPONENT	TYPE	W.L. I *
R1-8, 2H29, 128	10K 1/4W 10%	330-4010
R9-17, 111-114	56K 1/4W 5%	330-1057
R18-20, 115-120, 124	22K 1/4W 5%	330-1023
R30-36	2.2K 1/4W 10%	330-3022
R97-102	4.7K 1/4W 10%	330-3047
R193-110	150R 1/4W 10%	330-2015
R121-123	330R 1/4W 10%	330-2033
R125	1K 1/4W 10%	330-3010
R126	12K 1/4W 10%	330-1012
R127	56M 1/4W 10%	330-6056
R129	330R 1/4W 10%	330-2039
R130	2.20R 1/4W 10%	330-2022
R131	3.3M 1/4W 10%	330-6033
C1-8, 77-83	15uF 20V (T)	300-4022
C9-76	.05uF 12V	300-1900
C84-87, 90-121, 123-154, 166	.1uF 50V	300-1930
C88	.1uF (M)	300-2213
C89	.01uF	300-1903
C155-161, 165	47PF 500V	300-1047
C162	680PF 500V	300-1680
C163	18 PF	300-1018
C164	150PF 500V	300-1150
C167	3.3uF 15V (T)	300-4016

LOCATION	TYPE	SPARE
L30	74508	1
L33, L85, L113	74125	2, 1, 1
L34, L65	7432	3, 2
L48	74LS74	1
L49, L87	7474	2, 1
L51	7407	3
L64	74502	1
L75	74504	2
L76, L117	74500	2, 1
L79	7425	1
L82	74537	3
L83	7420	1
L88	74320	1
L103	7408	1
L107	74508	2
L112	7404	4
L114	74511	2
L119	74574	1
L120	7437	1

LOCATION	W.L. PART NO.	TYPE
L1-9, 19-27, 35-43, 52-60	SEE CHART	MK4116
L10, 7C, 117	376-0228	74500
L11, 45, 62	376-0198	74530
L12, 28, 45, 77, 116, 119	376-0202	74574
L13, 114	376-0237	74511
L14, 31, 80, 103, 110, 118	376-0081	7408
L15, 47, 70, 78, 84, 108, 109	376-0006	7474
L16	376-0090	74154
L17	376-0176	74367
L18, 72, 91	376-0310	74LS373
L29, 88	376-0230	74520
L30, 89, 107	376-0200	74508
L32, 66, 79	376-0072	7425
L33, 85, 113	376-0324	74125
L33A	376-0341	NE555
L34, 65, 86	376-0073	7432
L44, 61	376-0217	745157
L46, 63, 99	376-0298	745138
L49	376-0139	7414
L50	376-0003	7410
L50A	376-0247	745174
L51, 74, 81, 112	376-0010	7404
L64	376-0199	74502
L67	376-0242	74LS280
L68, 69	376-0297	74LS240
L71, 73, 93, 95, 105	376-0288	74LS244
L75	376-0197	74504
L82	376-0296	74537
L83	376-0004	7420
L87	376-0013	7475
L90	376-0205	74532
L92	377-0344	Z80-CPU
L94	SEE CHART	Z80-CTC
L96	376-0171	74148
L97	376-0286	74LS374
L98	376-0008	7442
L100-102	SEE CHART	2708
L104	376-0194	7411
L106	376-0285	74LS245
L111	376-0104	9602
L115	376-0045	74H04
L120	376-0068	7437

210 = 700 + 378 or 377

210	209	U-9, 9, 25-43, 52-60	L94	L100	L101	L102
7501-A	7501	377-0345	377-0371	378-266A	378-266B-R1	378-266C-R1
7501-B	7501	377-0345	377-0371	378-2432A	378-2493-R1	378-2494-R1
7501-C	7501			378-2495	378-2496	378-2497



MNEMONIC	COORD.	MNEMONIC	COORD.
A0-A15	(1F1)	IORQ	(1A7)
AUTO RESET	(1E11)	M1	(1A8)
BUSAK	(1A9)	MMI/O	(1A5)
CBUSRQ	(1C11)	MR	(1A10)
CRQAK	(4A11)	MREQ	(1A9)
CUBSY	(4G11)	PARIN	(4G8)
D0-D7	(1A7)	PAROUT	(4F1)
DLMMI/O	(1A5)	PWR LED	(4E1)
DLNB	(4F11)	RDQ	(1A8)
DMAMREQ	(4G11)	RFSH	(1A8)
DSD	(4G2)	SCHDA1, SCHDA2	(4B11)
DSU	(4G2)	SCSM1-SCSM4	(4D11)
FPL1-FPL4	(4B3)	STDATA	(4A9)
BAC	(1C1)	WAIT	(1G1)
BAC	(1C1)	WR	(1A8)
1/2 BAC	(1C1)		

NO.	REV.	DATE	BY	CHKD.	APPD.	REASON
1	0	10-10-79	W.P.			ORIG. PER PWR
2	1	11-10-79	W.P.			REVISED PER PWR
3	2	11-10-79	W.P.			REVISED PER PWR
4	3	11-10-79	W.P.			REVISED PER PWR
5	4	11-10-79	W.P.			REVISED PER PWR
6	5	11-10-79	W.P.			REVISED PER PWR
7	6	11-10-79	W.P.			REVISED PER PWR
8	7	11-10-79	W.P.			REVISED PER PWR
9	8	11-10-79	W.P.			REVISED PER PWR
10	9	11-10-79	W.P.			REVISED PER PWR
11	10	11-10-79	W.P.			REVISED PER PWR

WANG LABORATORIES, INC.
 MODEL NO. 140
 TITLE: CPU AND MEMORY
 DATE: 10-79
 BY: DW...
 CHECKED: RLL
 APPROVED BY: P.E.P.
 M. ENGR.
 MFG ENGR.
 PART NUMBER: 209-7501
 SIZE: D
 DRAWING NUMBER: 7501
 REV: 3
 SCALE: 1:1
 SHEET: 6 OF 6