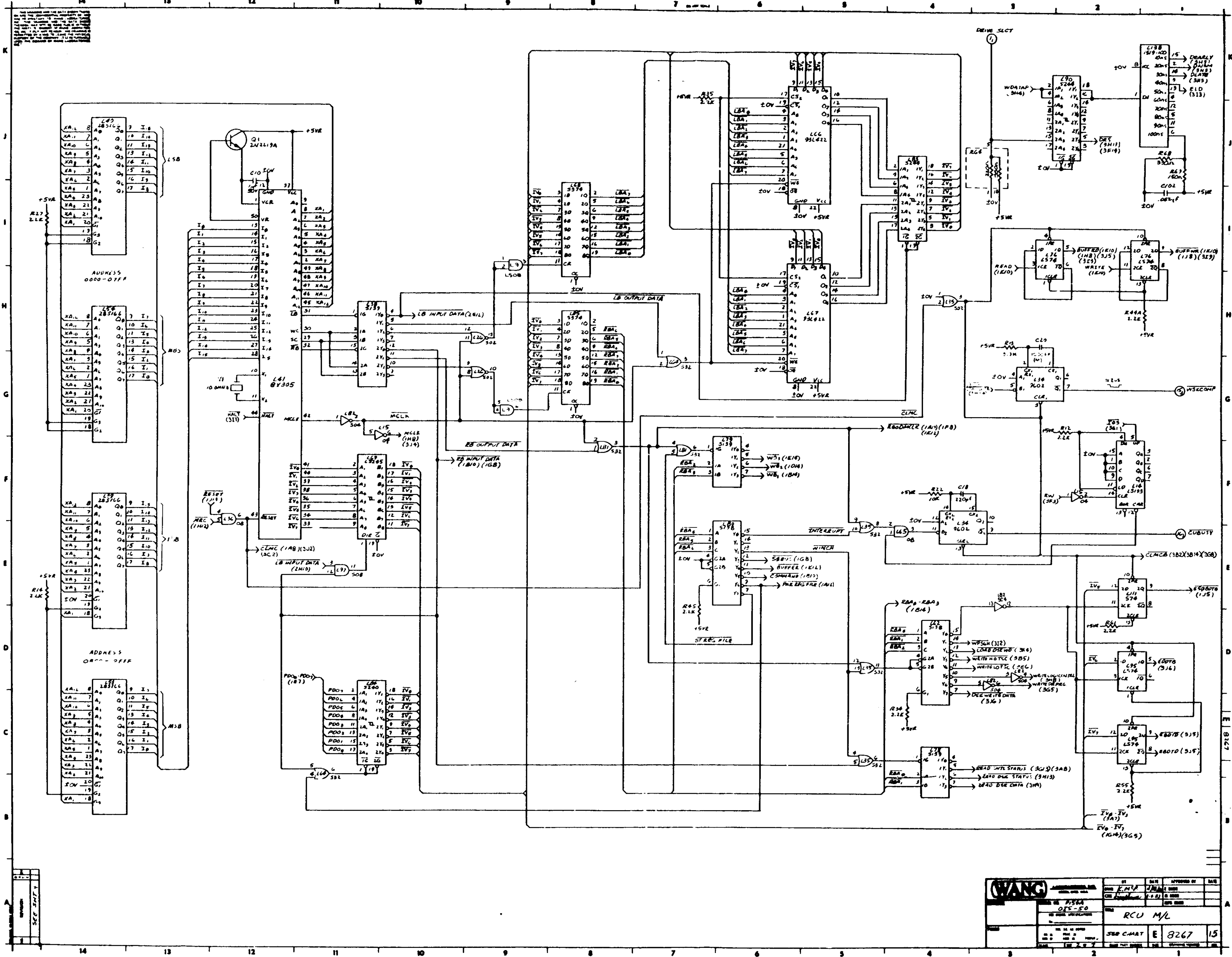
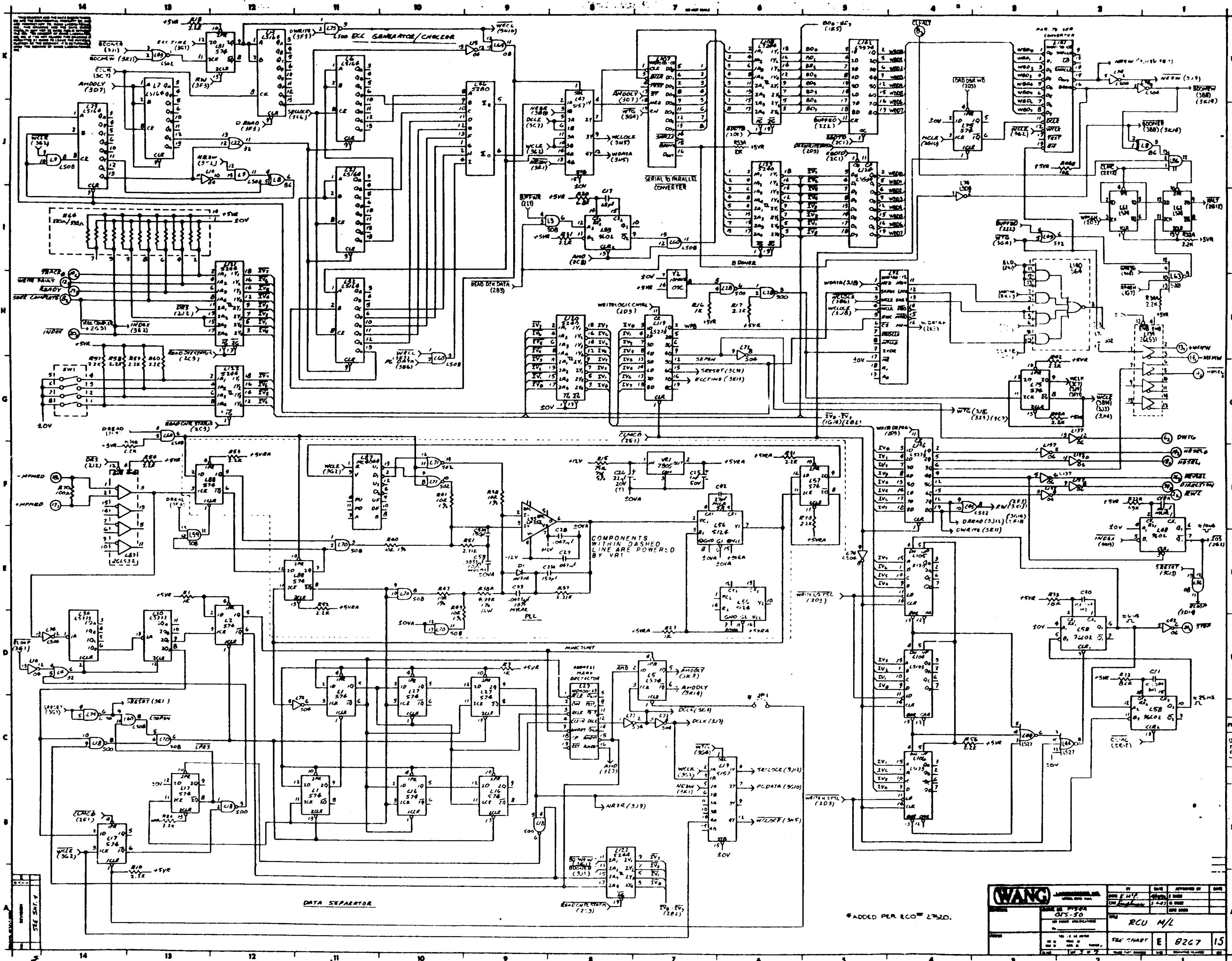


		DESIGNED BY R. W. W.	DATE 1/15/68	APPROVED BY J. W. W.	DATE 1/15/68
		CHECKED BY R. W. W.	DATE 1/15/68	APPROVED BY J. W. W.	DATE 1/15/68
TITLE RCU #12		PROJECT SEE CHART E 8267 15			



<b>WANG</b>		DATE	APPROVED BY	DATE
DESIGNED BY	RCU M/L	DATE		
CHECKED BY		DATE		
DRW. NO.	E 8267	REV.	15	



<b>WANG</b>		DATE	REVISED BY
RCU M/L		01-20-68	E
E 8267 15			

