

MODEL 2246R REMOTE STANDALONE WORKSTATION

III.D.3M

03-0089

CUSTOMER ENGINEERING DIVISION
(Preliminary Hardware Manual)

2246R Remote Standalone Workstation
(WLI Part Number 177-22VS-57)

August 1, 1979

III.D.3

WANG
REORDER NUMBER
741-0506

CUSTOMER ENGINEERING DIVISION
(Preliminary Hardware Manual)

2246R Remote Standalone Workstation
(WLI Part Number 177-22VS-57)

August 1, 1979

Error notices and/or suggestions for improvements of this preliminary release text may be sent to the following address:

Wang Laboratories, Inc.
Customer Engineering Division (Dept 113)
Technical Writing Group (Mail Stop 4212)
One Industrial Avenue
Lowell, MA 01851

This document is the property of Wang Laboratories, Inc. Information contained herein is considered company proprietary information and its use is restricted solely to the purpose of assisting you in servicing Wang products. Reproduction of all or any part of this document is prohibited without the consent of Wang Laboratories



LABORATORIES, INC.

ONE INDUSTRIAL AVENUE, LOWELL, MASSACHUSETTS 01851. TEL (617) 851-4111. TWX 710 343 0789. TELEX 94-7421

ADDENDUM #1

The following changes are provided as update information to all users of the Model 2246R Remote Standalone Workstation (Preliminary) manual, dated 1 August 1979:

1. The omitted part number for the 2716-type Diagnostics 2K PROM called out in para. 8.3(1) (page 8-1) is WLI #378-4136. Record this catalog number in that blank space and as an add-on (per ECN #12389) to the system BOM.
2. The 22V06-Series IOP-update inputs referenced in para. 4.2.A.2.b and duplicated in Appendix B have been produced as CSNL #128 (bringing the 210-7426 TC IOP Motherboard to E-REV level 4) and CSNL #129 (bringing the associated 210-7427 TC IOP Daughterboard to E-REV level 1). Both CSNL's must be incorporated in order to obtain full communications between the VS CPU and the 2246R Remote Workstation. In addition, note that PROM's L49 and L50 on the 210-7426 TC IOP Motherboard must be updated (per ECN #12330) to 378-4049-R1 and 378-4050-R1, respectively (refer to para. 4.2.A.2.a).
3. The eight 2716-type PROM's in locations L88 through L95 on the 210-7478 TC/Memory board (DLP) are identified on the 7478 schematic (sheet 6) in Section 13 only by their "unloaded" catalog number, #376-9021. The operational identifications of these PROM's, which contain the DLP Operating System firmware, are as follows (per ECN #12382):

PROM-Loading Order on 210-7478 TC/Memory Board (Component Side)

L	L95	L94	L93	L92	L91	L90	L89	L88	R
E									I
F									G
T	378- 4135	378- 4128	378- 4129	378- 4130	378- 4131	378- 4132	378- 4133	378- 4134	H T

TABLE OF CONTENTS

<u>Paragraph</u>		<u>Page</u>
Section 1 - Introduction		
1.1	Scope	1-1
1.2	Related Publications	1-1
1.3	Physical Description	1-1
1.3.1	CRT Assembly	1-4
1.3.2	Keyboard	1-4
1.3.3	210-7478 Remote Telecommunications Workstation Controller	1-7
1.3.4	210-7479 Enhanced Workstation CPU	1-9
1.3.5	210-7156 Power Supply Regulators	1-9
1.3.6	210-7456 CRT Monitor Electronics	1-9
1.4	Functional Description	1-13
Section 2 - Site Preparation		
2.1	General	2-1
2.2	Selecting a Location	2-1
2.3	Environmental Considerations	2-2
2.3.1	Temperature Considerations	2-2
2.3.2	Humidity Considerations	2-2
2.3.3	Cleanliness Considerations	2-3
2.3.4	Electrical Environment Considerations	2-4
Section 3 - Unpacking & Incoming Inspection		
3.1	Unpacking	3-1
3.2	Incoming Inspection	3-1
Section 4 - Installation & Initial Setup		
4.1	General	4-1
4.2	System Requirements	4-2
4.3	Modem Requirements	4-3

TABLE OF CONTENTS (Continued)

<u>Paragraph</u>		<u>Page</u>
4.4	Installation	4-5
4.4.1	Installation for Remote Modem Connection	4-5
4.4.2	Installation for Direct/Local Connection	4-5
Section 5 - Workstation Protocol		
5.1	General	5-1
5.2	Link Protocol	5-2
5.2.1	Polling	5-2
5.2.2	Selection	5-3
5.2.3	Flow Control	5-4
5.2.4	Message Blocking	5-4
5.2.5	Conversational Reply	5-4
5.2.6	Reverse Interrupt	5-5
5.2.7	Timeouts	5-5
5.2.8	Error Recovery	5-5
5.3	Device Protocol	5-5
5.3.1	Host-Program/Host-Controller Interchanges	5-6
5.3.1.1	Loading Host Controller Microcode	5-5
5.3.1.2	Loading Polling List	5-6
5.3.2	Host-Program/Remote-Controller Interchanges	5-7
5.3.2.1	Loading Remote Device Microcode	5-7
5.3.2.1.1	LOAD-DEVICE Command	5-7
5.3.2.1.2	START-DEVICE Command	5-8
5.3.3	Host-Program/Remote-Device Interchanges	5-9
5.3.3.1	Host-Initiated Commands to Remote Workstations	5-9
5.3.3.1.1	Workstation WRITE Command	5-9
5.3.3.1.2	Workstation WRITE-TABS Command	5-10
5.3.3.1.3	Workstation WRITE-SELECTED Command	5-11
5.3.3.1.4	Workstation READ Command	5-12
5.3.3.1.5	Workstation READ-DIAGNOSTIC Command	5-13
5.3.3.1.6	Workstation READ-TABS Command	5-14

TABLE OF CONTENTS (Continued)

<u>Paragraph</u>		<u>Page</u>
5.3.3.1.7	Workstation READ-ALTERED Command	5-16
5.3.4	Host-Initiated Commands to Remote Printers	5-17
5.3.5	Request for Attention by Remote Device	5-18
5.3.6	Command Abortion by Host Program	5-19
Section 6 - Operator Information		
6.1	General	6-1
Section 7 - Hardware Theory of Operation		
7.1	General	7-1
7.2	Telecommunications Data Link Processor (210-7478 TC/Memory Board)	7-1
7.2.1	Z80 CPU	7-1
7.2.2	Input/Output Architecture	7-5
7.2.3	Counter/Timer Circuit (CTC)	7-6
7.2.4	Serial Input/Output (SIO)	7-6
7.2.5	Clock Mode Register (CMR)	7-7
7.2.6	Direct-Memory Addressing (DMA)	7-8
7.2.6.1	DMA Request Lines DRQ 0 Through DRQ 3	7-8
7.2.6.2	DMA Acknowledge Lines DACK 0 Through DACK 3	7-9
7.2.7	Data Bus Buffer	7-9
7.2.7.1	Data Bus Lines D_0 Through D_7	7-9
7.2.8	Address Bus Buffer	7-9
7.2.8.1	Address Lines A_0 Through A_3	7-9
7.2.8.2	Address Lines A_4 Through A_7	7-10
7.2.9	Memory Organization	7-10
7.2.9.1	Multiplexed Memory Addressing	7-10
7.2.9.2	Multiplex Timing Considerations	7-11
7.2.10	User Option Switches	7-13
7.2.11	VS Single Remote Workstation Controller	7-13
7.3	Workstation Processor (210-7479 Enhanced Workstation CPU Board)	7-14

TABLE OF CONTENTS (Continued)

<u>Paragraph</u>		<u>Page</u>
Section 8 - Diagnostics		
8.1	General	8-1
8.2	Equipment Requirements	8-1
8.3	Operating Procedure	8-1
8.3.1	Continue-On-Error Mode Testing	8-3
8.3.2	Selected-Test-Module Mode Testing	8-3
8.4	Error Codes	8-4
Section 9 - Preventive Maintenance		
9.1	General	9-1
Section 10 - Adjustments		
10.1	General	10-1
10.2	DC Voltage Adjustments	10-1
10.3	Video Display Adjustments	10-5
10.3.1	Brightness Adjustment	10-5
10.3.2	Vertical Linearity Adjustment	10-6
10.3.3	Vertical Size Adjustment	10-6
10.3.4	Horizontal Width Adjustment	10-6
10.3.5	Horizontal Phasing Check	10-6
10.3.6	Focus	10-6
10.4	IC Voltage Test Points	10-8
10.5	Selector Switch Settings	10-9
Section 11 - Troubleshooting		
11.1	General	11-1
11.2	ITS 1 EIA Interface Test Set	11-1
11.3	General Telecommunications System Troubleshooting Hints	11-3
11.3.1	Troubleshooting Checklist	11-4
11.3.2	Checkout of Modem Control Signals	11-5
11.4	Modem Self-Tests	11-7

TABLE OF CONTENTS (Continued)

<u>Paragraph</u>		<u>Page</u>
11.4.1	Data Set 201C Self-Tests	11-8
11.4.1.1	201C Data Set Switch Buttons	11-8
11.4.1.2	201C Data Set Status Indicators	11-8
11.4.2	Dataphone Testing with the 201C Data Set	11-10
11.4.2.1	201C Data Set Analog Loopback Self-Test (2-Wire or 4-Wire Data Sets)	11-10
11.4.2.2	201C Data Set End-to-End Self-Test (2-Wire Data Set)	11-11
11.4.3	Data Set 208B Self-Tests	11-12
11.4.3.1	208B Data Set Switch Buttons	11-12
11.4.3.2	208B Data Set Status Indicators	11-13
11.4.4	Dataphone Testing with the 208B Data Set	11-14
11.4.4.1	208B Data Set Lamp Test	11-15
11.4.4.2	208B Data Set Analog Loopback Self-Test	11-15
11.4.4.3	201C Data Set End-to-End Self-Test	11-16
Section 12 - Repair & Replacement Procedures		
12.1	General	12-1
Section 13 - Drawings		
13.1	General	13-1
Section 14 - Bill of Materials		
14.1	General	14-1

Appendices

- A. IBM EBCDIC-DP Code Set
- B. Customer Engineering Inputs for CSNL #128 (22V06 IOP's #2)

LIST OF FIGURES

<u>Figure</u>		<u>Page</u>
1-1	2246R Remote Workstation, Front View	1-5
1-2	2246R Remote Workstation, Rear View	1-5
1-3	Interior Assemblies of the 2246R Remote Workstation	1-6
1-4	Location of 210-7456 CRT Monitor Electronics Board	1-6
1-5	210-7478 TC/Memory Board (DLP)	1-8
1-6	210-7479 Enhanced Workstation Processor Board (WP)	1-10
1-7	210-7156 Power Supply Regulators Board	1-11
1-8	210-7456 CRT Monitor Electronics Board	1-12
1-9	Representative Multipoint Interface to VS Computer System	1-14
3-1	Removal of Covers from 2246R Remote Workstation	3-2
4-1	Representative Remote (Multipoint) Interface to VS System	4-6
4-2	Representative Local (Null-Modem) Interface to VS System	4-6
5-1	Typical Data-Link Configuration	5-3
5-2	Data Link Handshaking for *LOAD-DEVICE Command* Sequence	5-7
5-3	Data Link Handshaking for *START-DEVICE Command* Sequence	5-8
5-4	Data Link Handshaking for *WS WRITE Command* Sequence	5-9
5-5	Data Link Handshaking for *WS WRITE-TABS Command* Sequence	5-10
5-6	Data Link Handshaking for *WS WRITE-SELECTED Command* Sequence	5-12
5-7	Data Link Handshaking for *WS READ Command* Sequence	5-13
5-8	Data Link Handshaking for *WS READ-DIAGNOSTIC Command* Sequence	5-14
5-9	Data Link Handshaking for *WS READ-TABS Command* Sequence	5-15
5-10	Data Link Handshaking for *WS READ-ALTERED Command* Sequence	5-16
5-11	Data Link Handshaking for *Printer WRITE Command* Sequence	5-17
5-12	Data Link Handshaking for *Unsolicited IOSW* Sequence	5-19
6-1	System-Setup Presentation on Command Console Following IPL	6-2
6-2	DEVICE STATUS Control Menu Presentation	6-2
6-3	REMOTE DEVICES Control Presentation	6-4

LIST OF FIGURES (Continued)

<u>Figure</u>		<u>Page</u>
6-4	Entry of "Zero" Assignments for Remote Workstation's CLUSTER, PORT, and DEVICE-ON-PORT Control Identifications	6-4
6-5	REMOTE DEVICES Control Presentation Following Completion of CLUSTER, PORT, and DEVICE-ON-PORT Assignments	6-6
6-6	Production of "ASSISTANCE REQUIRED" Message on Command Console's REMOTE DEVICES Control Presentation In Event of Telecommunications Failure	6-6
7-1	210-7478 TC/Memory Board (DLP), Block Diagram (Sheet 1)	7-2
7-1	210-7478 TC/Memory Board (DLP) Block Diagram (Sheet 2)	7-3
7-2	DLP Memory Organization for the Single-Site Remote Workstation	7-10
7-3	Read Sequence of L44 User Option Switches on TC/Memory Board	7-13
7-4	Workstation Status Register Readout Format	7-14
8-1	Loopback Test Connector Wiring (For Standard RS-232-C 25-Pin Male Connector, WLI #350-1030)	8-2
8-2	Diagnostics Test Presentation on 2246R Remote Workstation	8-6
10-1	Test Points on 210-7478 TC/Memory Board	10-3
10-2	Adjustments and Voltage Testpoints on 210-7156 Power Supply Regulators Board	10-4
10-3	Relationships Between Display Raster Position and CRT Screen Viewing-Area Aperture	10-5
10-4	Adjustments on 210-7456 CRT Monitor Electronics Board	10-7
11-1	Typical ITS 1 Test Setup Applications	11-2

LIST OF TABLES

<u>Table</u>		<u>Page</u>
1-1	Wang-Published Technical Publications on Telecommunications	1-2
1-2	Bell-System Technical Reference Publications	1-2
4-1	RS-232-C Connector-Pin Assignments	4-4
4-2	Modem Customer Options	4-8
4-3	Automatic Calling Unit (ACU) Customer Options	4-15
4-4	Data Access Arrangement (DAA) Customer Options	4-17
5-1	Modified BNF Notation for Defining Data Formats	5-20
5-2	Data-Link Sequences Transmitted by Remote Site	5-21
5-3	Data-Link Sequences Transmitted by Host Controller	5-22
5-4	Message Formats for Input Messages Passed to Host Controller by Remote Devices	5-24
5-6	Message Formats for Compressed Data Messages	5-25
5-7	VS Remote Device I/O Commands and Data Formats	5-26
7-1	Z80 CPU I/O-Port Addresses	7-6
7-2	SIO and Modem Interface Signal Distribution	7-7
8-1	Selectable 2246R Diagnostics Test Modules	8-4
8-2	Diagnostics Test ERROR CODE Readouts	8-5
10-1	Power Supply Voltage Pins for Telecommunications System IC's	10-2
11-1	Basic Specifications of the ITS 1 EIA Interface Test Set	11-2

SECTION

1

INTRO-

DUCTION

SECTION 1
INTRODUCTION

1.1 SCOPE

This document describes the installation, checkout, maintenance, and theory of operation for the Model 2246R Remote Stand-Alone Workstation, hereafter called either the 2246R Remote Workstation or simply the Remote Workstation.

1.2 RELATED PUBLICATIONS

Table 1-1 lists available WLI-published documents pertaining to telecommunications equipment associated with the VS system. The WLI part number or other ordering-identification information are included within parentheses, following the title.

Table 1-2 lists Bell-System Reference documents pertaining to both general and specific Bell-manufactured equipment. Inquiries related to these Bell-published technical references should be communicated in writing to:

American Telephone and Telegraph Company
Information Distribution Center (Room C190)
ATTN: Technical References
P.O. Box #3513
New Brunswick, New Jersey 08903

1.3 PHYSICAL DESCRIPTION

The 2246R Remote Workstation consists of a CRT screen and a typewriter-like keyboard with associated electronics circuits, together with a built-in telecommunications controller enabling it to function as a remote

Table 1-1. Wang-Published Technical Publications on Telecommunications

<u>ITEM</u>	<u>WLI STOCK NO.</u>	<u>FULL PUBLICATION TITLE</u>
1.	WLI #700-3830	2227B Buffered Asynchronous Telecommunications Data Sheet
2.	WLI #700-4086	Telecommunications Support Utilities User Manual.
3.	WLI #700-4086-1	Telecommunications Support Utilities User Manual Addendum.
4.	WLI #700-4114	2227B Buffered Asynchronous Telecommunications User Manual.
5.	WLI #700-4143	2228B Bisynchronous Telecommunications Data Sheet.
6.	WLI #700-4412	Telecommunications Marketing Guide.
7.	WLI #700-4703	Telecommunications Sales Guide.
8.	WLI #700-4704	Teletype Emulator Data Sheet.
9.	WLI #700-4705	Burroughs Emulator Data Sheet.
10.	WLI #700-4706	2741 Emulator Data Sheet.
11.	WLI #700-4707	HASP Multileaving Data Sheet.
12.	WLI #700-4708	3741 Software Utilities Data Sheet.
13.	WLI #700-4709	2780/3780 Software Utilities Data Sheet.
14.	WLI #700-4718	Asynchronous I Manual (Marketing Publication).
15.		Product Service Telecommunications Guide (CE Publication, Service Bulletin #77).
16.		Telecommunications Self-Teaching Manual (CE Publication, #03-0078)

Table 1-2. Bell-System Technical Reference Publications

<u>ITEM</u>	<u>IDENTIFICATION NO.</u>	<u>FULL-NOMENCLATURE TITLE</u>
1.	Bell Pub. #40000	Technical Reference Catalog.
2.	Bell Pub. #40001	Technical Reference Ring Binder.
3.	Bell Pub. #41001	Complete Set of Data Communications Technical References.
4.	Bell Pub. #41004	Data Communications Using Voiceband Private-Line Channels.
5.	Bell Pub. #41005	Data Communications Using the Switched Telecommunications Network.

Table 1-2. Bell-System Technical Reference Publications (Continued)

<u>ITEM</u>	<u>IDENTIFICATION NO.</u>	<u>FULL-NOMENCLATURE TITLE</u>
6.	Bell Pub. #41008	Transmission Parameters Affecting Voiceband Data Transmission (Description of Parameters).
7.	Bell Pub. #41009	Transmission Parameters Affecting Voiceband Data Transmission (Measuring Techniques).
8.	Bell Pub. #41021	Digital Data System (Channel Interface Specification).
9.	Bell Pub. #41101	Data Set 103A Interface Specification.
10.	Bell Pub. #41102	Data Set 103A3, Data Set 103E, Data Set 103G, Data Set 103H Interface Specification.
11.	Bell Pub. #41103	Data Set 103F Interface Specification.
12.	Bell Pub. #41105	113-Type Data Station Interface Specification.
13.	Bell Pub. #41201	Data Sets 201A and 201B
14.	Bell Pub. #41202	Data Sets 202C and 202D Interface Specification.
15.	Bell Pub. #41209	Data Set 208A Interface Specification.
16.	Bell Pub. #41210	Data Set 201C Interface Specification.
17.	Bell Pub. #41211	Data Set 208B Interface Specification.
18.	Bell Pub. #41212	Data Sets 202S and 202T Interface Specifications.
19.	Bell Pub. #41213	Data Set 209A Interface Specification.
20.	Bell Pub. #41214	Data Set 212A Interface Specification.
21.	Bell Pub. #41450	Digital Data System Data Service Unit Interface Specifications.
22.	Bell Pub. #41601	Data Auxiliary Set 801A (Automatic Calling Unit) Interface Specification.
23.	Bell Pub. #41602	Data Auxiliary Set 801C (Automatic Calling Unit) Interface Specification.
24.	Bell Pub. #41603	801C-L1/2 Data Auxiliary Set Interface Specification.
25.	Bell Pub. #41802	Data Couplers CBS and CBT for Automatic Terminals.

standalone workstation for single-site applications. The controller electronics also support a parallel printer, which can be directly connected to the back of the Remote Workstation. The Remote Workstation is packaged in a standard Wang workstation cabinet (see Figures 1-1 and 1-2), that may be located for operator convenience in a variety of user applications.

Figure 1-3 shows a rear view of the interior assemblies, showing mounting locations for two large PC-board logic assemblies behind the CRT tube and for a power-supply regulators board, containing dc-voltage adjustment potentiometers, which is mounted on the side. A fourth card, concerned with CRT control and adjustments of the display presentation, is mounted horizontally beneath the CRT tube (see Figure 1-4). In addition, the unit also includes a horizontal motherboard assembly in its base, into which the two large logic cards are inserted, but that motherboard does not include logic devices or discrete components. The following subparagraphs identify the major assemblies of the Remote Workstation.

1.3.1 CRT ASSEMBLY

The workstation CRT and associated electronics are standard Wang assemblies, displaying 24 lines of 80 selectable characters, formatted into discrete fields for programmable assignment of specific attributes (numeric, alphanumeric, protected, modifiable, etc.). The screen can display the entire ASCII character set, including both uppercase and lowercase, plus certain special editing characters, in program-selectable high or low intensities, with an optional blinking function.

1.3.2 KEYBOARD

The standard keyboard is divided into four zones, each containing a group of keys dedicated to certain types of operation. The largest such zone is the typewriter-like character entry zone, which is used to enter alphabetic, numeric, punctuation, and other ASCII symbols into the data block controlling the display presentation. Immediately to the right of that character-entry zone is a block of cursor-move/character-edit keys, which facilitate editing of the data contents. Still further to the right is a third zone, comprising a compact numeric keypad that provides a convenient means of entering numeric

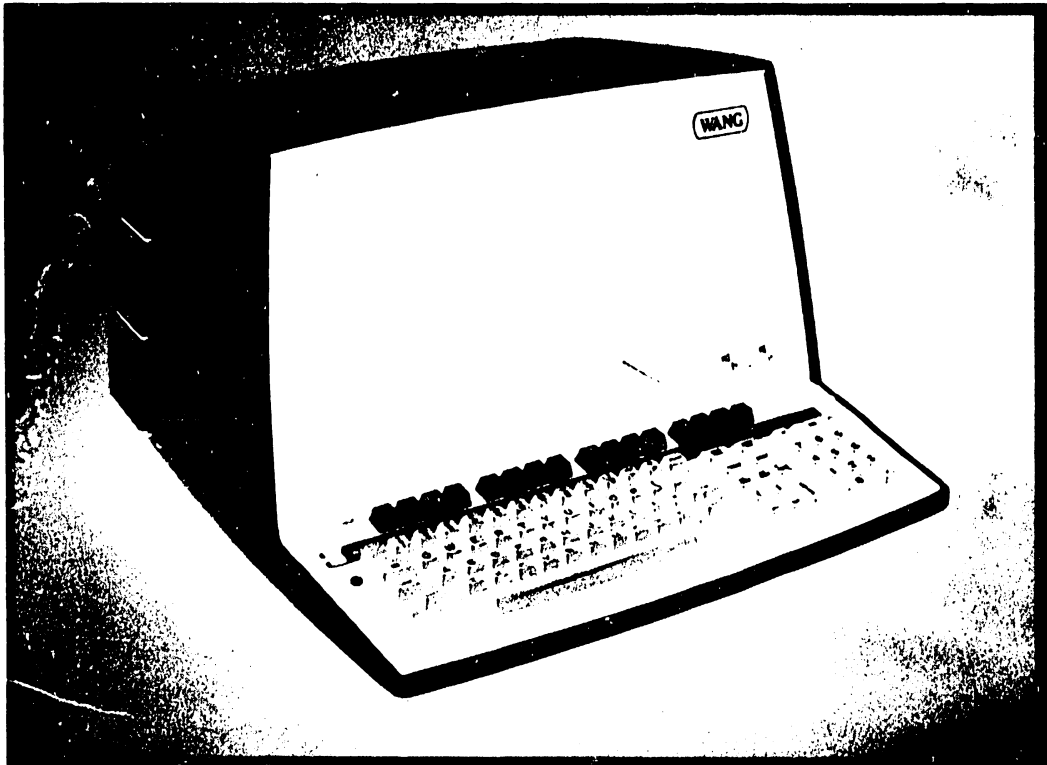


Figure 1-1. 2246R Remote Workstation, Front View

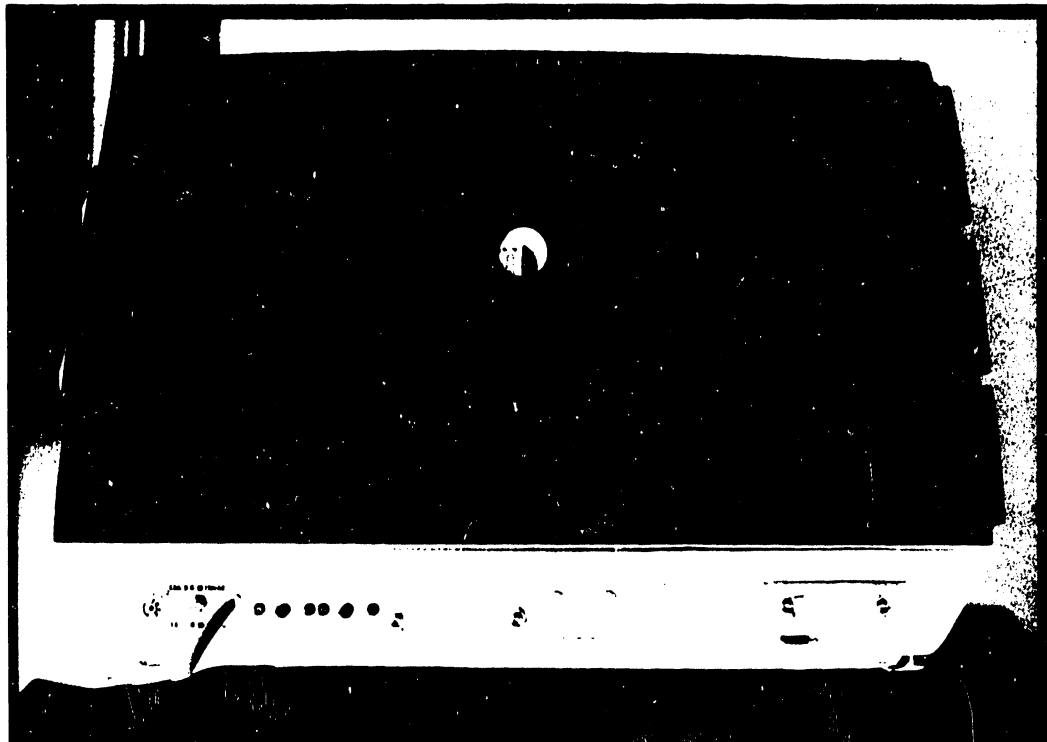


Figure 1-2. 2246R Remote Workstation, Rear View

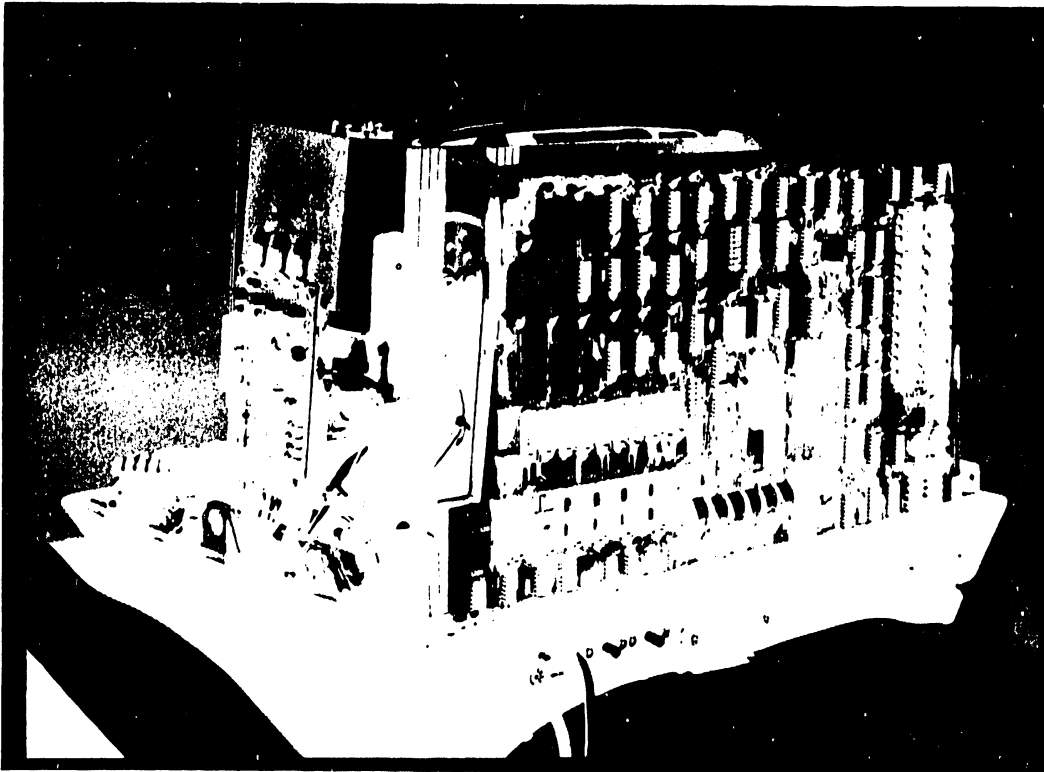


Figure 1-3. Interior Assemblies of the 2246R Remote Workstation (Rear View)

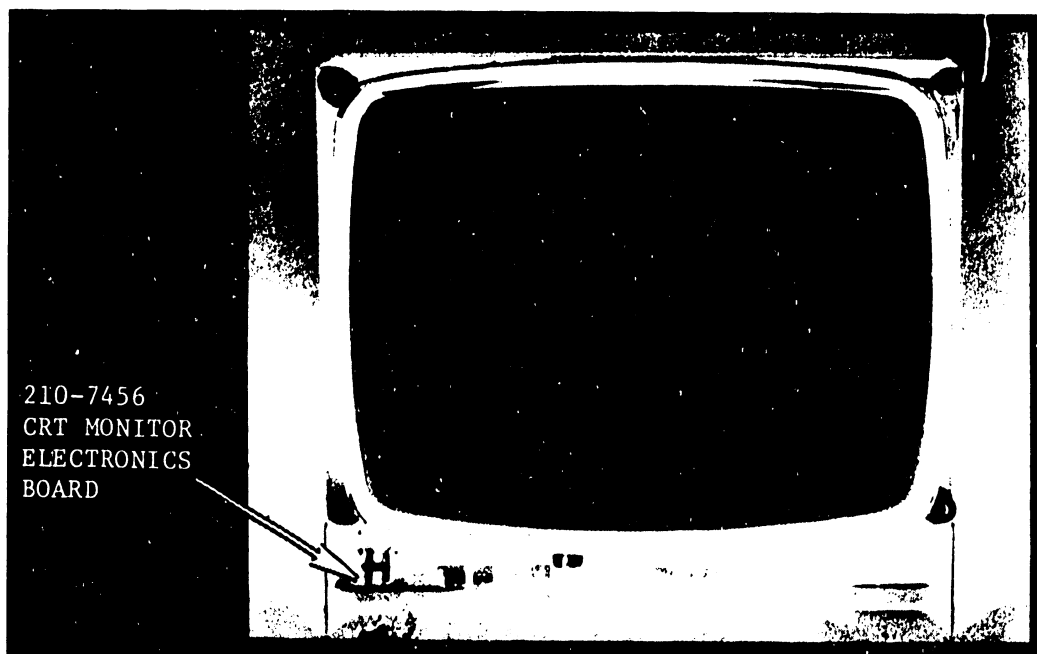


Figure 1-4. Location of 210-7456 CRT Monitor Electronics Board

data. Finally, a row of sixteen special program-function keys runs across the top of the keyboard; these can be used independently or in combination with the SHIFT key to enter 32 system-defined functions affecting program branching for manipulation of the edited data.

1.3.3 210-7478 REMOTE TELECOMMUNICATIONS WORKSTATION CONTROLLER

The 210-7478 Remote Telecommunications Workstation Controller assembly (see Figure 1-5), hereafter referenced either as the TC/Memory board or as the Telecommunications Data Link Processor (DLP), contains the input/output control circuits through which the VS host computer and the remaining workstation/printer electronics communicate with each other. This logic board contains a row of normal-operation PROM's (L88 through L95, not loaded at the time the Figure 1-5 photograph was taken), which contain the DLP Operating Systems firmware. For testing purposes, the Customer Engineer can temporarily replace one of these Operating System PROM's (L94, as shown in Figure 1-5, on E-REV 0 boards, L95 on E-REV 1 boards) with a special Diagnostics Test 2K PROM that contains firmware subroutines for checking out the operational integrity of key Remote Workstation function circuits. This test-program firmware operates in combination with test-module selections on an 8-pole switchbank mounted in location L44 on the card. Two optional LED readouts can be mounted on either side of that switchbank (i.e., in L43 & L45). When so-mounted on the rear-facing TC/Memory card, these readouts can be viewed through a hole in the back of the workstation cover following removal of a pull-out plug (see Figure 1-3). During the performance of the Diagnostics Test program, these LED readouts present a 2-digit error code providing identification of firmware-detected test failures. (Additional Diagnostics Test information also is presented on the CRT screen; refer to Section 8 of this document for details.) During normal operation, the L44 switchbank establishes a specific device address identifying the Remote Workstation for device-polling and selection applications. The TC/Memory board also contains a 5-pole switchbank in location L22, which provides additional device-type identification, not currently used by the DL firmware.

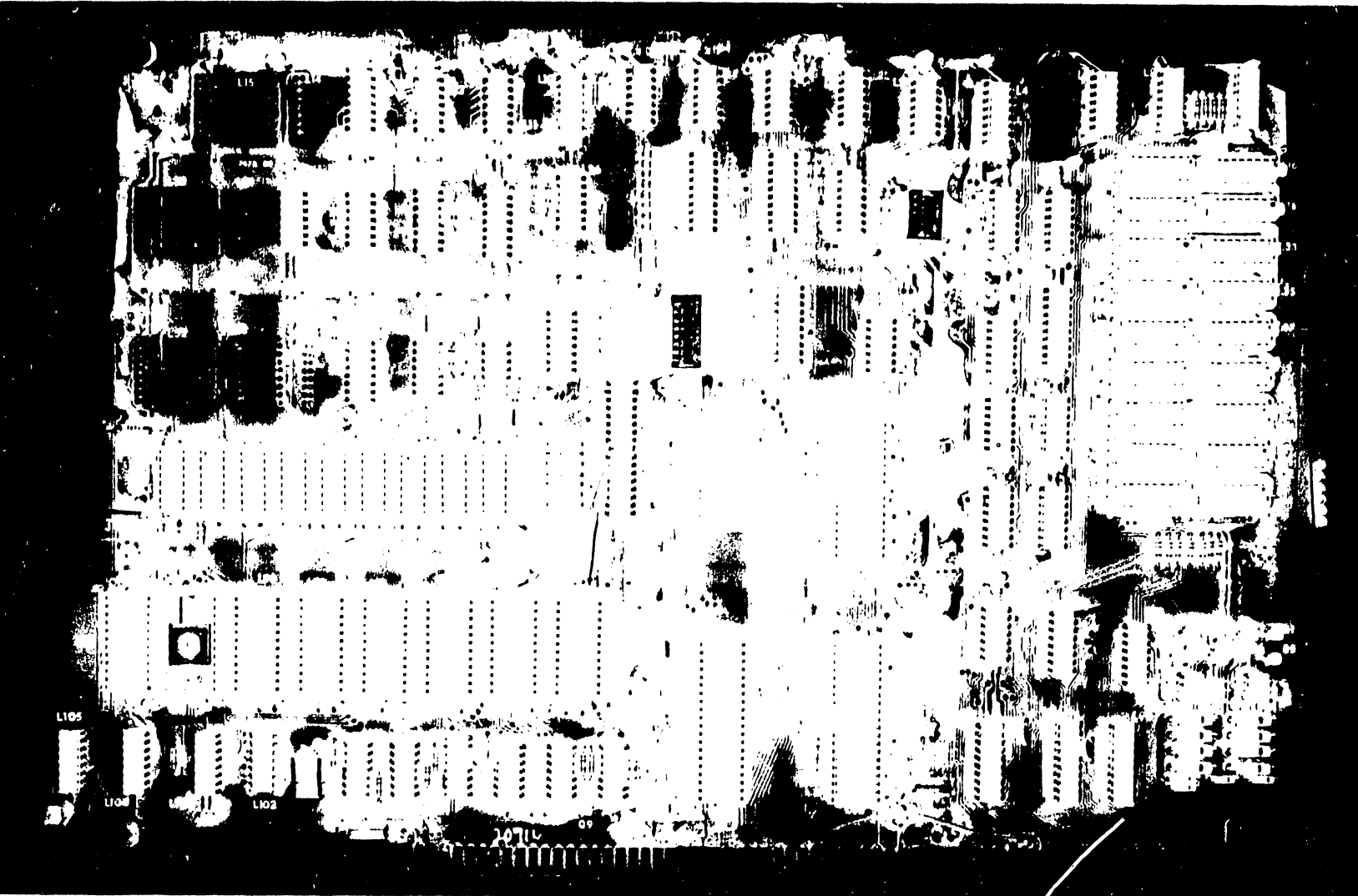


Figure 1-5. 210-7478 TC/Memory Board (DLP)

Section 1 - Introduction

1.3.4 210-7479 ENHANCED WORKSTATION CPU

The 210-7479 Enhanced Workstation CPU assembly (see Figure 1-6), elsewhere referred to either as the Workstation Processor (WP) or the CRT/CPU board, contains a microprocessor, an 8K CRT RAM storage area, and CRT-control logic, including row/column character generator, dual-intensity gating, character blanking and blinking functions, etc. The WP card also contains keyboard-input circuitry, together with interface circuitry for an optional parallel printer that can be connected to the Remote Workstation. Finally, the board also contains interface circuitry for communication with the 210-7478 TC/Memory board, including a data-link circuit that can use the upper 32K of the TC/Memory board's RAM storage area for direct-memory addressing (DMA) applications with large-scale data transfers between the CRT RAM data and the VS host computer.

The WP board is located directly ahead of the 210-7478 TC/Memory board. It contains a program-readable 8-pole switchbank in the middle of the bottom row, but the current Operating System firmware does not make use of the switch output signals. The board also contains a top-mounted video cable that connects to associated CRT electronics.

1.3.5 210-7156 POWER SUPPLY REGULATORS

The 210-7156 Power Supply Regulators board (see Figure 1-7) is mounted on the right side of the CRT chassis (refer to Figure 1-3). This board contains regulation circuits providing current-foldback protection (in conjunction with resistors mounted on the power supply heatsink). Overload/short-circuit conditions cause the voltage outputs to drop to zero instantaneously, thereby preventing the power supply components from overheating to the point of damage. The board contains potentiometers for field adjustment of the respective dc-voltage outputs produced by each regulator circuit.

1.3.6 210-7456 CRT MONITOR ELECTRONICS

The 210-7456 CRT Monitor Electronics board (see Figure 1-8), mounted beneath the CRT tube, contains various CRT presentation control circuits, affecting size, linearity, and focus of the display. Numerous adjustments on

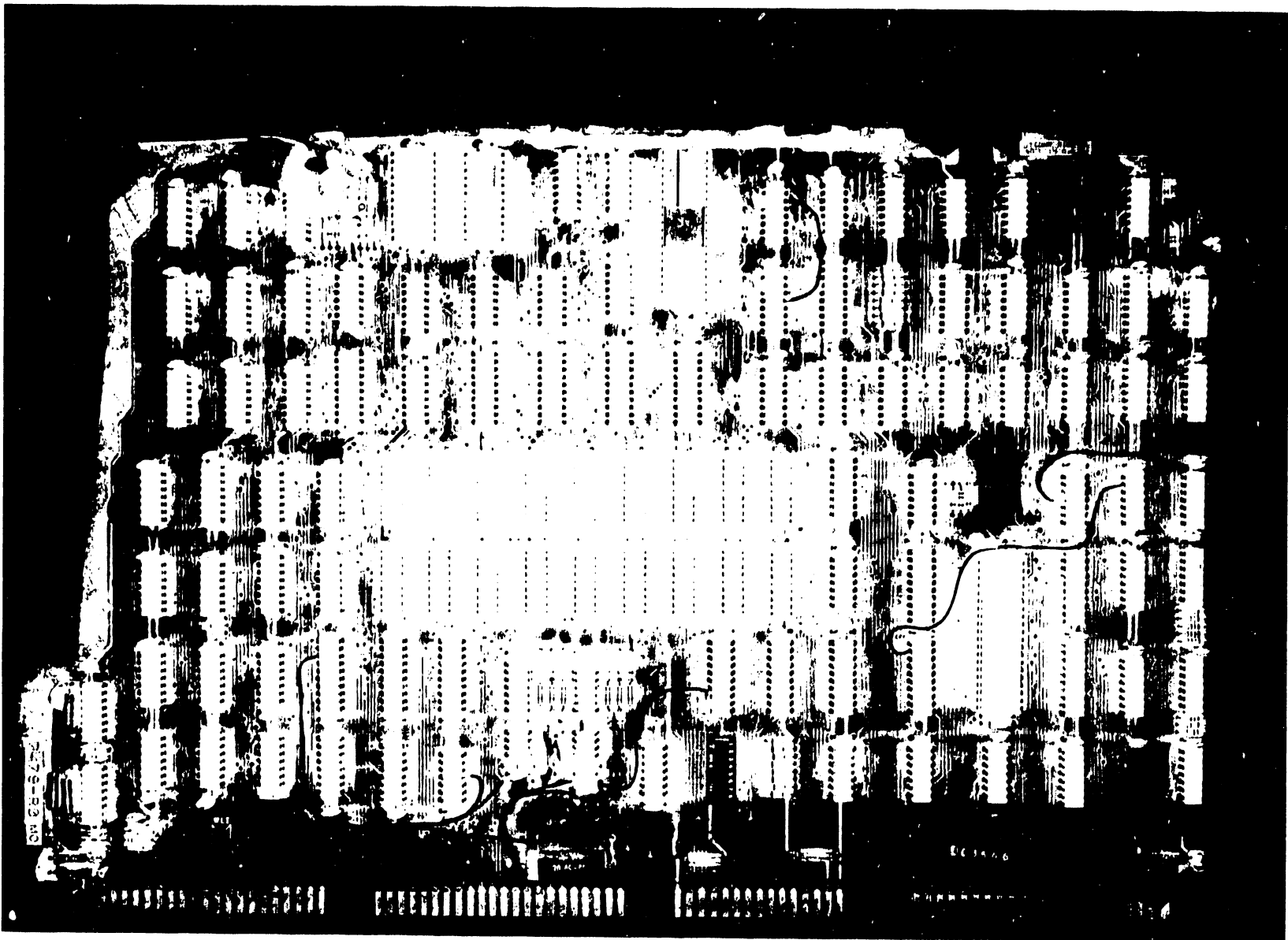


Figure 1-6. 210-7479 Enhanced Workstation Processor Board (WP)

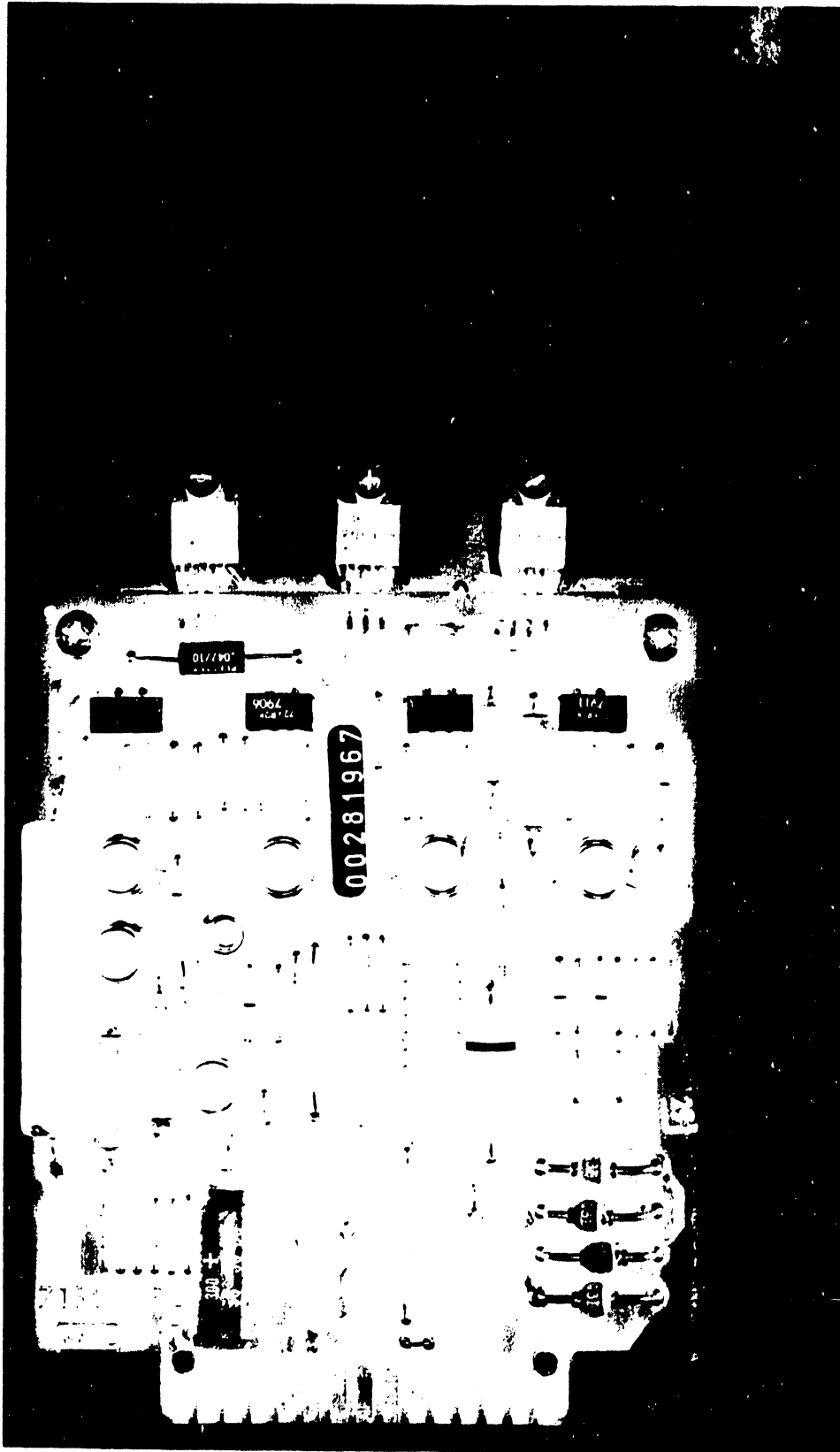


Figure 1-7. 210-7156 Power Supply Regulators Board

this board let the Customer Engineer set up the display circuits for optimum presentation, offsetting component variability and/or performance degradation.

1.4 FUNCTIONAL DESCRIPTION

The addition of the 2246R Remote Workstation to the VS product line provides a telecommunications capability by which devices that are physically remote from the VS system (with no real distance limitation) can access the VS system. The 2246R Remote Workstation has been implemented in such a manner that this device appears to the remainder of the VS system as if it were a local device.

The terminal housing contains the CRT and keyboard, together with the control unit (and, optionally, a parallel printer interface to which a parallel printer may be attached). Remote workstations communicate directly over a telephone line to the 22V06 IOP in the VS system via modems. The stand-alone nature of this unit eliminates the need to install an entire cluster controller at each remote location at which only one terminal and possibly a printer is required. Remote workstations may be used either in a point-to-point (dial-up or leased line) or in a multipoint (leased-line) environment (see Figure 1-9). In a point-to-point environment, each line will accommodate only a single remote stand-alone workstation, whereas a multipoint environment allows multiple remote workstations to share a single communications line.

A maximum of 32 workstations can be supported on a single VS system. Of these 32 workstations, one must be designated as the system console (Workstation #0) and must be locally attached to the VS system, while the other 31 may be any combination of local or remote workstations. Certain configuration restrictions exist, however, which can affect the actual number of devices supported. Each 22V06 IOP assembly supports a maximum of three communications lines (each of which may connect to multiple Standalones/Clusters). Therefore, the number of lines which may be allocated to Remote Workstations is dependent upon the following three factors:

SECTION

2

SITE

PREPAR-

ATION

SECTION 2
SITE PREPARATION

2.1 GENERAL

When a Wang Telecommunications System is delivered, it is not sufficient merely to find floor space for the system components and to insert their power plugs into an AC-power outlet. Some preparation is necessary to select a suitable location for the system and to determine if the AC-power lines to be used by the system are adequate, as well as to ensure that an appropriate modem and other associated hardware (e.g., data access arrangement equipment and automatic calling unit) is installed simultaneously with or prior to the 2246R Remote Workstation (and associated parallel printer, if applicable). The following paragraphs describe the ideal environment in which a Telecommunications System should operate and the preparations necessary to meet the basic site criteria. Selection and installation of the modem equipment must be separately arranged between the customer and his local Telephone Company (or a private vendor of the customer's choice). Acceptable modem units and customer selection options are defined in Section 4, Installation & Initial Setup.

2.2 SELECTING A LOCATION

The environment in which a Telecommunications System operates can greatly affect its performance. An ideal location would be one in which:

- (1) Temperature and humidity are controlled.
- (2) Airborne dirt and contaminants are reduced to a minimum.
- (3) AC-power outlets are adequate, regulated, and noise free.
- (4) Sufficient room is available for future expansion.

Since such locations are difficult to find, the system often must be installed in a less than desirable environment. In addition, the selected location should be one that is easily accessible to operating personnel. At the same time, however, it should be sufficiently removed from the main flow of traffic to prevent interference with the smooth operation of the Remote Workstation.

2.3 ENVIRONMENTAL CONSIDERATIONS

Once a location is selected, installation/user personnel should give some consideration to four environmental parameters: temperature, humidity, cleanliness, and the electrical environment.

2.3.1 TEMPERATURE CONSIDERATIONS

Temperature is the most important factor to consider, because it can vary greatly from day to day. The recommended operating temperature range is from +65°F to +75°F, but the allowable range is from +50°F to +90°F. Low outside temperatures are usually not a problem, because most locations never fall below the minimum temperature limit, even with air conditioning. If the system is used where temperatures go higher than the maximum high-temperature limit, however, component failure rates will drastically increase, resulting in costly downtime for the user.

If an air conditioning unit is already installed or if one is to be installed, it is imperative that a separate power line be used. If a separate power line is not used, Telecommunications System errors can occur as a result of voltage-spike glitches when the air conditioner is in use.

2.3.2 HUMIDITY CONSIDERATIONS

Air conditioning is good for maintaining the proper temperature, but it also removes moisture and dust from the air, thereby lowering the humidity. If the system is installed in a carpeted room, this lower humidity operates in combination with the static generating capability of carpets and synthetic clothing to impart a static electrical charge to operating personnel. If the static-charged operator subsequently comes in contact with components of the

Telecommunications System, the resultant static discharge not only is uncomfortable but also can cause Telecommunications System malfunctions.

The recommended humidity range is from 40% to 60%, relative, but 20% to 80%, relative, is allowable (and the lower limit can be 10% or lower in heated buildings during very cold weather). Low humidity not only increases the certainty of static build-up, however, but also can cause oxide shed in data storage material. Humidifiers and dehumidifiers should be installed to increase or decrease the humidity as required.

If carpeting is to be installed, it should be a nonstatic variety. If carpeting already exists and is not a nonstatic variety, either that carpet must be treated with a non-static spray, or an electrically conductive mat must be installed to prevent a static charge build-up.

Carpets treated with non-static spray should be thoroughly cleaned before the first treatment, and they should be retreated at least once every three months, thereafter. If an electrically conductive mat is used, it should be installed under the system operating area and must be properly connected to an earth ground.

2.3.3 CLEANLINESS CONSIDERATIONS

Because most Wang equipment does not contain filters, dirt can accumulate rapidly on circuit boards and components. Dirt and grease form a film that prevents proper heat dissipation from components and can also create a leakage path for signals. Dirt also causes excessive mechanical wear in tape and disc drives and causes scratches in the oxide coating of storage material and on read/write heads.

To prevent unnecessary failures that might be caused by dirt, all air conditioning, heating, and ventilating units should have air filters installed. These filters should be cleaned or replaced regularly. In areas where filters do not remove airborne dirt sufficiently, an electrostatic filter should be installed.

2.3.4 ELECTRICAL ENVIRONMENT CONSIDERATIONS

For most Wang Telecommunications Systems, a 20-ampere, 115-volt (60 hertz, single-phase) dedicated power line is adequate. System requirements dictate that this line must be regulated to within $\pm 10\%$ and must be noise free. Whenever feasible, the system should have its own dedicated AC-power line. Wang systems also operate on 50-hertz power.

If the line is not regulated within the specified $\pm 10\%$ limits, a constant voltage transformer should be installed. If the line is noisy, however, a detailed analysis of the problem must be performed to insure a correct solution.

Since computers and peripheral equipments are extremely susceptible to Electromagnetic Interference (EMI), the source of the EMI condition must be determined before a solution is proposed. EMI can enter the Telecommunications System by conduction along wiring and cabling or by direct radiation. If EMI sources (including office machines, air conditioning units, electric motors, machinery, and arc welders) are in close proximity to the Telecommunications System, EMI can enter by direct radiation. In such cases, the noise-generating device should be relocated, repaired, or filtered to prevent it from interfering with the Telecommunications System. If the source of the noise cannot be found, an EMI filter with a cut-off frequency near 10 kHz should be installed on the System's AC-power line. In all cases, be sure that the AC-power line has been properly installed in steel conduit and that the conduit is properly connected to junction boxes. Also, insure that other devices (including fluorescent lighting) are not connected to the dedicated AC-power line. In extreme cases, as when arc welders are used in the vicinity, it may also be necessary to shield the peripheral cables.

SECTION

3

UNPACKING &

INCOMING

INSPECTION

SECTION 3
UNPACKING & INCOMING INSPECTION

3.1 UNPACKING

The remote workstation device is packaged in a cardboard container with INSTAPACK for protection. To prevent internal damage to the cathode-ray tube, the printed-circuit boards are removed and taped across the front of the CRT screen. The unpacking and accessing of each remote workstation unit is simplified by the use of the cardboard containers.

NOTE

Do not destroy the packing containers; the INSTAPAK forms are ideal for any return shipment to Wang Laboratories that might be required because of damage or malfunction.

3.2 INCOMING INSPECTION

1. Unpack and inspect each unit for possible shipping damage. Exercise extreme caution when unpacking each of the devices. Special attention should be given to the video display units. If any physical damage is discovered, report the damage to the shipping carrier immediately. In addition, the Home Office (traffic manager) should be notified of any discrepancies at the same time.

CAUTION

Exercise caution when removing the main workstation cover to not damage either the fan power cable or the CRT-screen contrast/brightness control cable, both of which are attached to that cover.

2. Remove the electrical circuit boards that are wrapped and taped on the front of the Remote Workstation CRT display screen.
3. Remove the keyboard cover by removing three #10-32 x 3/4" phillips fastening screws below program-function keys (see Figure 3-1) and then lifting keyboard cover away.
4. Remove the main cover by removing two #10-32 x 1" phillips fastening screws (one on each side of the base; see Figure 3-1), and then carefully lifting the workstation cover up and tilting it to the left for access to and disconnection of both fan cable and CRT brightness/control cable.

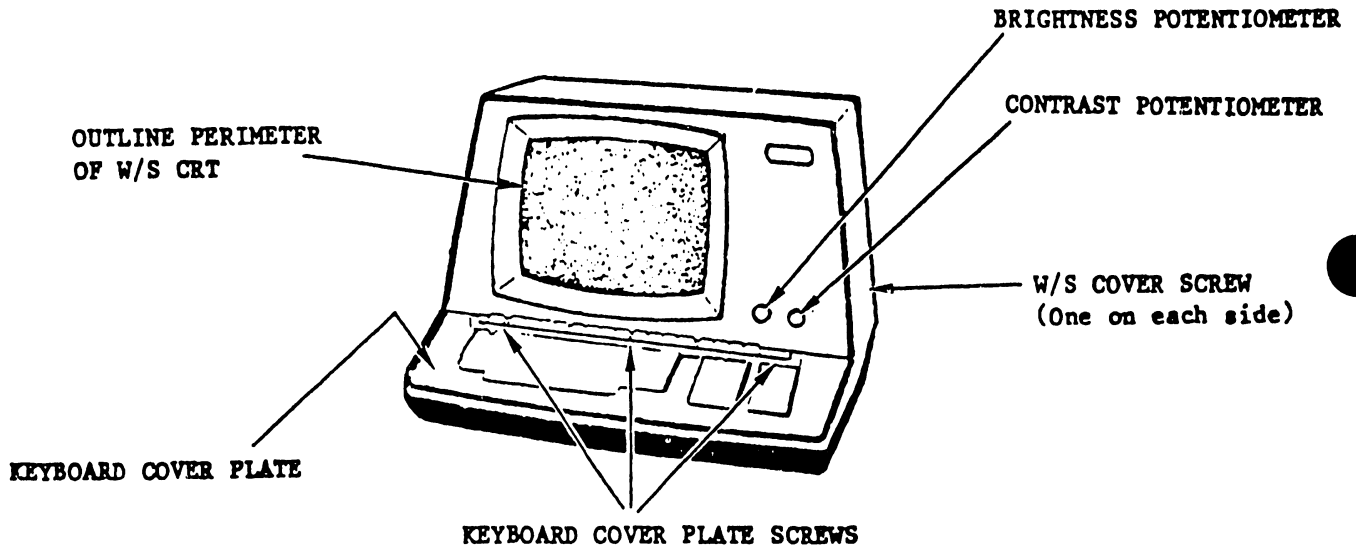


Figure 3-1. Removal of Covers From 2246R Remote Workstation

5. After removing the covers, unwrap and install the logic boards that were removed from the front of the screen. Plug the 210-7479 Workstation CPU board into the "CRT/CPU" location on the motherboard. Plug the 210-7478 TC/Memory board into the "MEM/DL" location on the motherboard.

NOTE

Do not replace the two covers until all remote workstation installation checks are successfully performed, as described in Section 4, Installation & Initial Setup.

SECTION

4

**INSTALLATION &
INITIAL SETUP**

SECTION 4
INSTALLATION & INITIAL SETUP

4.1 GENERAL

To simplify Telecommunications System installation, observe the following procedure:

NOTE

The modems used both at the local location (connected to the 22V06 IOP assembly in the VS CPU Mainframe) and at the remote location (connected to the 2246R Remote Workstation) both must be compatible units of the same or equivalent type.

1. Check with Customer/Marketing representatives to ensure that the customer has ordered a correct modem and applicable options either from a local telephone company or from a private vendor. (For incorporation of different options into specific modems, refer to requirements for that modem in Table 4-2, following.)
2. After the customer has ordered the correct modem, plan to install the Telecommunications System on the same day that the modem is being installed. The modem installer thus should be present at the time you check out the system, so that he can help you identify any modem or telephone line problems if they occur.
3. Obtain the correct sign-on procedure and telephone number from the customer. Verify these by calling the data processing manager in charge at the applicable VS system location.

4.2 SYSTEM REQUIREMENTS

The minimum system requirements to equip the VS computer system with a 2246R Remote Workstation having Binary Synchronous Communications (BSC, commonly called "bisync") capabilities are as follows:

A. FOR REMOTE MODEM CONNECTION:

1. VS software Operating System, release 4.03 (or later), installed.
2. One or more 22V06-1/-2/-3 Telecommunications Input/Output Processor (TC IOP) assembly (WLI 177-22VS-61/-62/-63, as applicable), installed and connected to an applicable system-end modem, with the following updates in place:
 - a. The 210-7426 TC IOP Motherboard must be updated with new firmware, as follows:
 - (1) PROM release 378-4049R1 in logic-chip location L49.
 - (2) PROM release 378-4050R1 in logic-chip location L50.
 - b. The 210-7426 TC IOP Motherboard must be E-REV level 4 or higher -- i.e., CSNL #128 (22V06 IOP's #2) installed).
3. A 2246R Remote Workstation (WLI #187-2246-R).
4. A 12-foot, RS-232-C (25-pin) compatible, telecommunication cable (WLI #220-0'13).
5. A remote-end modem (and any applicable ACU or DAA equipment, depending on customer's needs), matched to the VS system modem attached to the 22V06 IOP.

B. FOR DIRECT/LOCAL CONNECTION:

1. All of the above items except the remote-end modem.

2. An additional 12-foot, RS-232-C (25-pin) compatible, telecommunications cable (WLI #220-0113).
3. A Model 2228N Null Modem (WLI #177-2228N)

4.3 MODEM REQUIREMENTS

NOTE

Ordering a modem for a Wang customer is not the responsibility of a Wang Salesman, and the installation of a modem and/or its various option selections is not the responsibility of a Wang Customer Engineer.

The controller conforms to the nationally recognized EIA RS-232-C standard and to the internationally recognized CCITT V.24 standard for voltage levels and pin connections (refer to Product Service Teleprocessing Guide, page 76). The signal polarity and the voltage of driven and detected signals are as follows:

<u>Logic Level</u>	<u>Applied Voltage</u>	<u>Detected Voltage</u>
"0" (ON, or "Spacing")	+8V	+3V to +25V
"1" (OFF, or "Marking")	-8V	-3V to -25V

Table 4-1 lists RS-232-C 25-pin connector pin assignments, giving both EIA and CCITT designations for the circuit associated with each pin. That table also includes standard signal descriptions and sources for each designated signal. The modem (or data set) used with the system may be either rented from the telephone company or purchased from any one of several modem vendors. The modems used at both ends of a communications line must be compatible. If a BELL 201C type modem is used at one end, for example, another BELL 201C or equivalent must be used at the other end (not a 201A, 208B, 202C, or 202S). Table 4-2 lists the nominal Bell modems and their associated option choices, and Table 4-3 lists the nominal Automatic Calling Units (ACU's) associated with those modems (In both cases, equivalent units may be used).

In either case, employees of the local telephone company must connect the modem to the telephone network through a Data Access Arrangement (DAA) unit installed by the telephone company. The DAA unit consists of a telephone

handset and a modem interface rented from the telephone company. Table 4-4 lists the nominal types and their respective options. Since a modem or DAA unit usually is permanently wired to a wall, both should be installed as close as possible to the associated Remote Workstation.

Table 4-1. RS-232-C Connector Pin Assignments

<u>PIN</u>	<u>EIA</u>	<u>CCITT</u>	<u>SIGNAL DESCRIPTION</u>	<u>SOURCE</u>
1*	AA	101	Protective Ground	2246R
2*	BA	103	Transmitted Data	Modem
3*	BB	104	Received Data	2246R
4*	CA	105	Request to Send	Modem
5*	CB	106	Clear to Send	Modem
6*	CC	107	Data set Ready	
7*	AB	102	Signal Ground	Modem
8*	CF	109	Received Line Signal Detector	Modem
9				
10				
11*	SCA	120	Secondary Request to Send	2246R
12*	SCF	122	Secondary Rec'd Line Sig. Det.	Modem
13	SCB	121	Secondary Clear to Send	Modem
14	SBA	118	Secondary Transmitted Data	2246R
15*	DB	114	Trans. Signal Element Timing	Modem
16	SBB	119	Secondary Received Data	Modem
17*	DD	115	Receive Signal Element Timing	Modem
18		124	Select Frequency Groups	2246R
19*	SCA	120	Secondary Request to Send	2246R
20*	CD	108.2	Data Terminal Ready	2246R
21	CG	110	Signal Quality Detector	Modem
22	CE	125	Ring Indicator	Modem
23	CH/CI	111/112	Data Signalling Rate Selector	2246R/Modem
24	DA	113	Trans. Signal Element Timing	2246R
25			Unassigned	

*Asterisked signals are used by the 2246R Workstation.

4.4 INSTALLATION

The following subparagraphs give installation procedures for each of two configurations: the full remote modem application (para. 4.4.1) and a direct/local application (para. 4.4.2).

4.4.1 INSTALLATION FOR REMOTE MODEM CONNECTION

1. Connect one end of the supplied RS-232-C TC cable (WLI #220-0113) to the Remote Workstation's RS-232-C 25-pin connector (located in lower right-hand corner on rear base panel).
2. Connect the other end of that same RS-232-C cable to the modem connector labeled "CUSTOMER EQUIPMENT" (refer to Figure 4-1, lower right-hand corner).
3. If a parallel printer is to be included at the given site, plug the free end of its interconnection cable into 36-pin connector in center of base panel on rear of Remote Workstation (see Figure 4-1, upper right-hand corner).
4. Connect the modem and remote workstation power cords to appropriate power-service outlets, and then set their power switches ON.

4.4.2 INSTALLATION FOR DIRECT/LOCAL CONNECTION

NOTE

The 2228N Null Modem must be connected as indicated in the following steps (see Figure 4-2). This device has definite polarity and will not operate if cabling is incorrect. (For internal circuit details of the 2228N Null Modem, refer to the 2228N schematic in Section 12.)

1. Connect one end of the supplied RS-232-C TC cable (WLI #220-0113) to the "Modem" connector on the 22V06 IOP assembly, and then connect the other end of that same cable to the connector on the end of the 2228N Null Modem assembly that bears the "2228N" label.
2. Connect one end of the second supplied TC cable to the other side of the 2228N Null Modem assembly, and then connect the other end of that same cable to the Remote Workstation's RS-232-C 25-pin connector (located in lower right-hand corner on rear base panel)
3. If a parallel printer is to be included at the given site, plug the free end of its interconnection cable into 36-pin connector in center of base panel on rear of Remote Workstation (see Figure 4-2, upper right-hand corner).
4. Connect the remote workstation power cord to an appropriate power-service outlet, and then set its power switch on.
3. Perform on-line remote workstation diagnostic tests if available (refer to Section 8).

Table 4-2. Modem Customer Options

A. Customer Options for Bell 201A Modem

<u>DECISION</u>	<u>OPTION</u>	<u>OPTION REQUIREMENT WITH 2246R</u>	<u>COMMENTS</u>
A	1. EIA Interface	A1	
	2. Contact Interface		
B	3. With Alternate Voice	B3	This option is required for operation with the dial-up network (allows for voice communications)
	4. Without Alternate Voice		
C	5. New Sync Used	C6	
	6. New Sync <u>Not</u> Used		
D	7. Half-Duplex (2-wire)	D7	This option is required for operation with the dial-up network
	8. Full-Duplex (4-wire)		
E	9. 4-wire Continuous Carrier		If D7 was chosen, no E decision is made. E9 is the normal option for point to point, 4-wire connections. For the E9 option, indicate a CLEAR-TO-SEND delay of either 0 ms or 7 ms.
	10. 4-wire Carrier Controlled		

Table 4-2. Modem Customer Options (Continued)

B. Customer Options for Bell 201C Modem (Private Line)

<u>DECISION</u>	<u>OPTION</u>	<u>OPTION REQUIREMENT WITH 2246R</u>	<u>COMMENTS</u>
A	1. Transmitter Timing Internal	A1	
	2. Customer-Selected Timing Options		
B	3. New Sync <u>Not</u> Used	B3	
	4. New Sync Used		
C	5. Switched Carrier Operation	C6	This option is needed for 4-wire point-to-point connections. For this C6 option, select one of the following suboptions for CLEAR-TO-SEND delay: (C6a) 1. 4-wire, 7 ms 2. 4-wire, 0 ms For the C5 option, select one of the following suboptions for CLEAR-TO-SEND delay: (C5a) 1. 4-wire, 7 ms 2. 2-wire, 150 ms
	6. Continuous Carrier Operation		
D	7. Continuous RECEIVER BIT CLOCK - IN	D8	
	8. Continuous RECEIVER BIT CLOCK - OUT		
E	9. EIA Interface Pin 18 Initiates Local Analog Loopback	E9	
	10. EIA Interface Pin 18 Provides RECEIVE SYMBOL CLOCK		
F	11. Factory-Furnished EIA Interface and Ground Options	F12	With F12, select the suboptions listed below:
	12. Customer-Selected EIA Interface and Ground Options		F12a1 (DATA-SET-READY <u>on</u> during local analog loopback) F12b1 (Frame ground connected to signal ground)

Table 4-2. Modem Customer Options (Continued)

C. Customer Options for Bell 201C Modem (Switched Telephone Network)

<u>DECISION</u>	<u>OPTION</u>	<u>OPTION REQUIREMENT WITH 2246R</u>	<u>COMMENTS</u>
A	1. Transmitter Timing Internal	A1	
	2. Transmitter Timing External		
B	3. Automatic Answer <u>Not</u> Provided	B4	
	4. Automatic Answer Controlled by Data Terminal Ready (DTR)		
C	5. Ring Indicator on EIA Interface Pin 22	C5	
	6. Ring Indicator Contact Closure on EIA Interface Pins 22 and 23		
D	7. Continuous RECEIVER BIT CLOCK - IN	D8	
	8. Continuous RECEIVER BIT CLOCK - OUT		
E	9. EIA Interface Pin 18 Initiates Local Analog Loopback	E9	
	10. EIA Interface Pin 18 Provides RECEIVE SYMBOL CLOCK		
F	11. Signal and Frame Gound Connected	F11	
	12. Signal and Frame Ground <u>Not</u> Connected		

Table 4-2. Modem Customer Options (Continued)

D. Customer Options for Bell 208A Modem

<u>DECISION</u>	<u>OPTION</u>	<u>OPTION REQUIREMENT WITH 2246R</u>	<u>COMMENTS</u>
A	1. Transmitter Timing Internal	A1	
	2. Transmitter Timing External		
B	3. Continuous Carrier	B3	Normal option for point-to-point connection. Use B4 if multipoint.
	4. Switched Carrier		
C	5. Switched REQUEST-TO-SEND	C6	If B4 is selected (multipoint), C5 must also be selected for proper operation.
	6. Continuous REQUEST-TO-SEND		
D	7. One-Second Holdover Is Used	D7	The D7 option is preferred if B3 was selected; otherwise, use option D8.
	8. One-Second Holdover <u>Not</u> Used		
E	9. New Sync Is Used	E10	
	10. New Sync <u>Not</u> Used		
F	11. DATA SET READY (CC) Lead <u>On</u> in Analog Loopback Test Mode	F11	
	12. DATA SET READY (CC) Lead <u>Off</u> in Analog Loopback Test Mode		

Table 4-2. Modem Customer Options (Continued)

E. Customer Options for Bell 208B Modem

<u>DECISION</u>	<u>OPTION</u>	<u>OPTION REQUIREMENT WITH 2246R</u>	<u>COMMENTS</u>
A	1. Transmitter Timing Internal	A1	
	2. Transmitter Timing External		
B	3. Without 801 Automatic Calling Unit	B3	Select B4 if auto-calling is required (requires inter- face adapter).
	4. With 801 Automatic Calling Unit		
C	5. DATA SET READY (CC) <u>Off</u> When AL Pressed	C6	
	6. DATA SET READY (CC) <u>ON</u> When AL Pressed		
D	7. <u>Without</u> Automatic Answer	D8	
	8. <u>With</u> Automatic Answer (Permanent)		
E	9. Desk Mounting	E9	Option E10 requires mounting brackets.
	10. Rack or Cabinet Mounting		

Table 4-2. Modem Customer Options (Continued)

F. Customer Options for Bell 209A Modem

<u>DECISION</u>	<u>OPTION</u>	<u>OPTION REQUIREMENT WITH 2246R</u>	<u>COMMENTS</u>
A	1. Transmitter Timing Internal	A1	
	2. Transmitter Timing External		
B	3. DATA SET READY Inter- face Lead <u>On</u> in Analog Loopback Mode	B3	
	4. DATA SET READY Inter- face Lead <u>Off</u> in Analog Loopback Mode		
C	5. Transmit Timing Slaved to Receive Timing	C6	Normal option for point to point connection.
	6. Transmit Timing Is <u>Not</u> Slaved to Receive Timing		
D	7. Elastic <u>In</u>	D8	Normal option for point to point connection.
	8. Elastic <u>Out</u>		
E	9. Continuous Carrier (Decision F Is Required)	E9	Normal option for 4-wire point to point connection
	10. Switched Carrier (Decision F Is <u>Not</u> Required)		
F	11. Switched REQUEST-TO- SEND	F12	If E10 is selected, F11 be- comes automatically selected.
	12. Continuous REQUEST-TO- SEND		

Table 4-2. Modem Customer Options (Continued)

G. Customer Options for Bell 212A Modem

<u>DECISION</u>	<u>OPTION</u>	<u>OPTION REQUIREMENT WITH 2246R</u>	<u>COMMENTS</u>
A	1. Factory-Supplied Disconnect Options	A1	
	2. Customer-Selected Disconnect Options		
B	3. Automatic Answer (<u>Yes</u>)	B3	
	4. <u>No</u> Automatic Answer		
C	5. Factory-Supplied EIA Interface and Ground Options	C5	
	6. Customer-Selected EIA Interface and Ground Options		
D	7. Factory-Supplied Dual Mode	D8	Select D8 and the below-listed sub-options for dual-mode 1200-bps synchronous or 300-bps asynchronous operation:
	8. Customer-Selected Modes Of Operation		
			D8a2 (1200-bps synchronous operation)
			D8c1 (transmitted timing internal)
			D8d2 (dual-speed mode)
			D8e1 (receiver responds to digital loop IN)
			D8f2 (interface speed indicator OUT)
E	9. Make-Busy/Analog Loop (CN) Circuit Enabled (<u>In</u>)	E10	
	10. Make-Busy/Analog Loop (CN) Circuit Disabled (<u>Out</u>)		

Table 4-3. Automatic Calling Unit (ACU) Customer Options

A. Customer Options for Bell 801A ACU (Rotary Dialer)

<u>DECISION</u>	<u>OPTION</u>	<u>OPTION REQUIREMENT WITH 2246R</u>	<u>COMMENTS</u>
A	1. EIA Voltage Interface	A1	
	2. Contact Interface		
B	3. Call Terminated Via ACU After Data Set Status (DSS) <u>On</u>	B4	
	4. Call Terminated Via Data Set After Data Set Status (DSS) <u>On</u>		
C	5. Abandon-Call-and-Retry (ACR) Timer Is Stopped After DSS <u>On</u>	C5	
	6. Abandon-Call-and-Retry (ACR) timer Is <u>Not</u> Stopped After DSS <u>On</u>		
D	7. End-of-Number Signal From Customer Terminal	D8	If D7 option is used, no E decision is needed.
	8. No End-of-Number Signal From Customer Terminal		
E	9. ACU Answer-Tone Detection	E9	
	10. Data Set Answer-Tone Detection		

Table 4-3. Automatic Calling Unit (ACU) Customer Options (Continued)

B. Customer Options for Bell 801C ACU (Touch Tone Dialer)

<u>DECISION</u>	<u>OPTION</u>	<u>.OPTION REQUIREMENT WITH 2246R</u>	<u>COMMENTS</u>
A	1. 2-wire	A1	Normal option for switched telephone network.
	2. 4-wire		
B	3. Call Terminated Through ACU	B4	
	4. Call Terminated Via Data Set After Data Set Status (DSS) <u>On</u>		
C	5. Abandon-Call-and-Retry (ACR) Timer Stopped After Data Set Status <u>On</u>	C5	
	6. Abandon-Call-and-Retry (ACR) Timer Is <u>Not</u> Stopped After DSS <u>On</u>		
D	7. End-of-Number Signal From Customer Terminal	D8	If D7 option is used, no E decision is 9.
	8. <u>No</u> End-of-Number Signal From Customer Terminal		
E	9. ACU Answer-Tone Detection	E9	
	10. Data Set Answer-Tone Detection Without End-Of-Number (EON)		
F	11. Loop Start	F12	
	12. Ground Start		

Table 4-4. Data Access Arrangement (DAA) Customer Options

A. Customer Options for Bell 1000A (CDT) DAA: NONE

B. Customer Options for Bell 1001A and Bell 1001F (CBS) DAA's

<u>DECISION</u>	<u>OPTION</u>	<u>OPTION REQUIREMENT WITH 2246R</u>	<u>COMMENTS</u>
A	1. With Customer- Provided Power	A2	Option A1 is provided
	2. With Telephone Company Provided Power		
B	3. EIA - RS-232-B Inter- face	B4	Option B4 is provided only with 1001F.
	4. EIA - RS-232-C Interface		
C	5. With Associated Telephone Set	C5	Option C5 is used with switched telephone network. If C6 is used, no further decisions are required.
	6. Without Associated Telephone Set		
D	7. Coupler Controls Line	D8	Option D8 is for manual operation, and option D7 is for automatic operation
	8. Telephone Set Controls Line		
E	9. Ringer Connected On Telephone Set Side of Exclusion Key	E10	With option E9, no audible ring is heard. With option E10, an audible ring is heard until the modem an- swers the call.
	10. Ringer Connected on Line Side of Exclusion Key		

Table 4-4. Data Access Arrangement (DAA) Customer Options (Continued)

C. Customer Options for Bell 1000B and Bell 1001D (CBT) DAA's

<u>DECISION</u>	<u>OPTION</u>	<u>OPTION REQUIREMENT WITH 2246R</u>	<u>COMMENTS</u>
A	1. With Telephone	A1	Option A1 is used with switched telephone network. If A2 is used, no further decisions are required.
	2. Without Telephone		
B	3. DAA Controls Line	B4	Option B4 is for manual operation and option B3 is for automatic operation
	4. Telephone Set Controls Line		
C	5. Ringer Connected On Telephone Set Side Of Exclusion Key -- Only DAA Rings	C6	
	6. Ringer Connected On Line Side of Exclusion Key -- Both DAA (Ring Indicator) and Telephone Ring		
D	7. Ringer Connected On Telephone Set Side of Exclusion Key -- If Exclusion Key Is <u>Down</u> , Only Telephone Rings; If Exclusion Key Is <u>Up</u> , Only DAA Rings (Ring Indicator)	D8	
	8. Ringer Connected On Line Side of Exclusion Key -- If Exclusion Key Is <u>Down</u> , Only Telephone Rings; If Exclusion Key Is <u>Up</u> , Both DAA (Ring Indicator) and Telephone Set Ring		

SECTION

5

WORK-

STATION

PROTOCOL

SECTION 5
WORKSTATION PROTOCOL

5.1 GENERAL

This section defines the VS system's remote-device protocol, as implemented within the initial test-site release of the 2246R Remote Workstation and the microcode support for its companion 22V06-series IOP controller. The communications architecture is layered into a link protocol and a device protocol. This layering allows independent enhancement of each layer, as applicable.

The link protocol is multipoint transparent mode bisync, using EBCDIC-coded transmission-control characters. The link protocol supports all standard transmission speeds up to 9600 bits/second.

Device protocol messages are blocked for transmission, using data-link escape (DLE), end-of-intermediate transmission block (ITB) separation and conversational-reply formats. The system polls sites, rather than individual devices.

The initial test-site release of the remote device support software contains a single round-robin polling loop. Nonresponding sites are polled during each cycle of the loop.

All data messages are transmitted without compression.

The device protocol is similar to the control protocol of locally-attached devices. Input/output command word (IOCW), device microcode, and device data messages are transmitted from the VS computer to the remote device. Device data and input/output status word (IOSW) messages are transmitted from the remote devices to the VS computer.

In the following discussion, the 22V06 IOP assembly is referred to as the "host controller" and the 2246R Remote Workstation controller is referred to simply as the "remote controller." The discussion uses slightly-modified Backus-Naur Format (BNF) telecommunications-protocol notation, as defined in Table 5-1.

NOTE

For the reader's convenience, Table 5-1 and the much-referenced format-description tables which follow it are placed at the end of this section. One predominant modification of the standard BNF notation system is that the angle-bracket symbols normally used to set off software entities are not available in the character set used by the equipment producing this book; consequently, this discussion substitutes asterisks for those brackets (see Table 5-1).

5.2 LINK PROTOCOL

The link protocol employs data-link sequences defined in Tables 5-2 and 5-3. The sequences follow multipoint bisync conventions, with the host playing the primary role and the remote playing the secondary role.

The data link is the medium that interconnects a group of remote devices with the host controller. Figure 5-1 shows a representative data link setup, including the line, line drop connections, modems, and a modem sharing unit. The effect of a modem sharing unit is to make several remote devices connected to a single modem appear as if they were individually dropped. Each of the remote devices in the illustrated configuration would be addressed as a unique site. If the data link configuration included a dial-up line with more than one remote connected through a modem sharing unit to a single modem, each such remote also would be addressed as a unique site.

5.2.1 POLLING

Whenever the host controller has no data to transmit and is not engaged in transmission or reception of a message, it transmits a *poll sequence* to a remote site on one of its polling lists, inviting the remote controller to send data.

Upon receiving a *select sequence* containing its site address, the remote controller responds in one of two ways:

1. A *NAK sequence* if that controller currently does not have sufficient buffer space for the largest allowable data block, or
2. An *ACKO sequence* if that controller currently has sufficient buffer space for the largest allowable data block.

5.2.3 FLOW CONTROL

Receive flow control is accomplished in the conventional manner, using a *WACK sequence*. Whenever a receiver (in the host controller or any remote controller) correctly receives a *text block* but does not possess sufficient buffer space to receive another one, that receiver waits for a 2-second delay period and then transmits a *WACK sequence* requesting an affirmative acknowledgement.

TTD transmit flow control is not used. When a transmitter (in the host controller or any remote controller) receives an affirmative acknowledgement and does not contain any further data block(s) to transmit, that transmitter terminates the transmission with an end-of-transmission *EOT sequence*.

5.2.4 MESSAGE BLOCKING

One or more device protocol messages are blocked together within a *text block*. The transmission block uses transparent mode transmission with DLE insertion and with DLE ITB separation of messages for data transparency. Each block is a transmission message and ends with the DLE end-of-text (ETX) character. The DLE end-of-transmission-block (ETB) character is not used.

5.2.5 CONVERSATIONAL REPLY

Conversational replies (a *text block* transmitted in reply to another *text block*) may be used by either the host controller or any remote controller, provided that two consecutive conversational replies do not occur.

5.2.6 REVERSE INTERRUPT

The bisync reverse-interrupt feature (RVI) is not used.

5.2.7 TIMEOUTS

Standard 3-second timeouts are used for detection of no-reply conditions. Standard 2-second timeouts are used for detection of flow slowdown or transmission of a *WACK sequence*.

5.2.8 ERROR RECOVERY

Text blocks contain 16-bit cyclic redundancy check characters (using the polynomial, $x^{16} + x^{15} + x^2 + 1$), which are used by the receiver to detect errors. If a CRC error is detected, the receiver transmits a *NAK sequence*, requesting retransmission of the same message block.

5.3 DEVICE PROTOCOL

The device protocol employs the messages defined in Tables 5-4 and 5-5, using the notation defined in Table 5-1. This protocol uses the same standard VS device-control procedures used for the support of locally attached devices.

The VS Operating System and/or the given system's application program, which generally are referred to indiscriminately in the following discussion as the "host program" without separate distinction, participate in three levels of communications interchanges:

1. With the 22V06 TC IOP (referred to in the following discussion as the "host controller").
2. With (through that host controller and the intervening modem lines) the 2246R Remote Workstation's 210-7478 TC/Memory board (referred to in the following discussion as the "remote controller").

3. With (through that remote controller) the 2246R Remote Workstation's 210-7479 Workstation CPU board and associated CRT-control circuits (collectively referred to in the following discussion as the "remote device").the he host controller and any remote controller.

5.3.1 HOST-PROGRAM/HOST-CONTROLLER INTERCHANGES

5.3.1.1 Loading Host Controller Microcode

The VS Operating System (i.e., the host program) is responsible for loading the host controller's data-link processor's microcode. The data-link processor's microcode is loaded piecemeal, each separate piece being handled by a respective CONTROL-I/O *LOAD-22V06 command*. The data area pointed to by the command contains a memory image of the specific microcode piece to be loaded into the host controller's data-link processor's memory at the "current address" (maintained as a state variable by the bus-processor portion of the host controller). Initially, the current-address value is zero. Whenever a *LOAD-22V06 command* is executed, the current-address value becomes incremented by the length (byte count) of the applicable data area. When all microcode pieces have been loaded, the data-link processor is started by a CONTROL-I/O *START-22V06 command*.

5.3.1.2 Loading Polling List

The host program also is responsible for loading a polling list into the host controller. Each polling list entry is loaded by an individual CONTROL I/O *VS LOAD-POLL-LIST command*. The data area pointed to by the command contains a 4-byte poll list entry for a specific device. The host controller updates its polling list table and then issues a VS IOSW to the host program, terminating the command.

Subsequent host program commands to the device are issued to the same VS device address as was the *VS LOAD-POLL-LIST command* for that device.

5.3.2 HOST-PROGRAM/REMOTE-CONTROLLER INTERCHANGES

5.3.2.1 Loading Remote Device Microcode

Device microcode is down-loaded into Remote Workstations by the VS host program in a manner that is similar to that in which local 928-type serially-attached devices are loaded. The host program first loads a device memory image in piecemeal fashion by a *VS LOAD-DEVICE command* sequence. The Remote Workstation device then is started up by a *VS START-DEVICE command* to operate on the down-loaded program.

5.3.2.1.1 LOAD-DEVICE Command

The host program loads a piece of microcode into a Remote Workstation by means of a CONTROL-I/O *VS LOAD-DEVICE command*. The data area pointed to by that command contains a memory image of the desired device microcode piece. Figure 5-2 diagrams typical data-link communications activity for the *LOAD-DEVICE command* sequence.

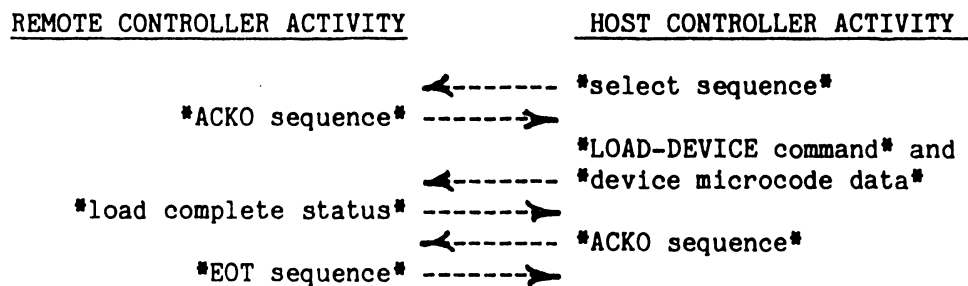


Figure 5-2. Data Link Handshaking for *LOAD-DEVICE Command* Sequence

The host controller first establishes communication with the applicable remote device and then creates and queues for transmission both a *LOAD-DEVICE command* message and a *device microcode data* message. (For format details of these output messages, refer to Table 5-4.)

The host link protocol mechanism transmits the messages, normally blocked together, to the remote site, where they are processed by the remote controller. The remote controller loads the microcode piece into the remote device's memory at the "current" address, an initially-zero state variable that is maintained by the remote controller and becomes incremented by the data length of each stored message. If no device errors are detected during this loading process, the remote controller creates a *load complete status* message and queues it for transmission. If any device error is detected, however, the device controller creates and queues a *load error status* message. (For format details of these input messages, refer to Table 5-5.)

The remote controller's link protocol mechanism normally transmits the message to the host controller as a bicync conversational reply. The host controller extracts a VS IOSW from that message and then passes the IOSW data to the host program, thereby completing the *LOAD-DEVICE command*.

5.3.2.1.2 START-DEVICE Command

After all applicable microcode pieces have been loaded, the host controller starts the remote device by transmitting a CONTROL-I/O *VS START-DEVICE command*. Figure 5-3 diagrams typical data link handshaking activity for the *START-DEVICE command* sequence.

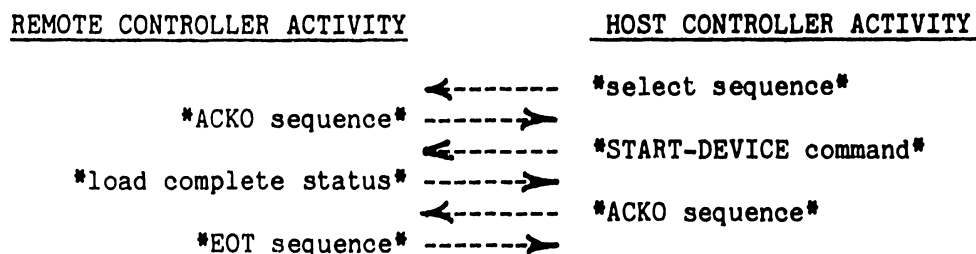


Figure 5-3. Data Link Handshaking for *START-DEVICE Command* Sequence

The host controller first establishes communication with the selected Remote Workstation and then creates a *START-DEVICE command* (refer to Table 5-4 for format details) and queues it for transmission to the remote site by the host link protocol mechanism. When the remote controller processes the received

command, the current-address value becomes reset to zero and the remote device becomes started up. If no device errors are detected during this processing sequence, the remote controller creates a *load complete status* message and then queues that message for transmission. If any device error is detected, however, the device controller creates and queues a *load error status* message. (For format details of these input messages, refer to Table 5-5.)

The remote controller's link protocol mechanism normally transmits the message to the host controller as a bisync conversational reply. The host controller extracts a VS IOSW from the message and then passes the IOSW data to the host program, thereby completing the command.

5.3.3 HOST-PROGRAM/REMOTE-DEVICE INTERCHANGES

5.3.3.1 Host-Initiated Commands to Remote Workstations

5.3.3.1.1 Workstation WRITE Command

The host program writes a portion of a screen image to a remote device by a START-I/O *VS WS WRITE command*. The data area pointed to by the command contains a 4-byte "order area" that is followed by the screen image piece. Figure 5-4 diagrams typical data-link handshaking activity for the *WS WRITE command* sequence.

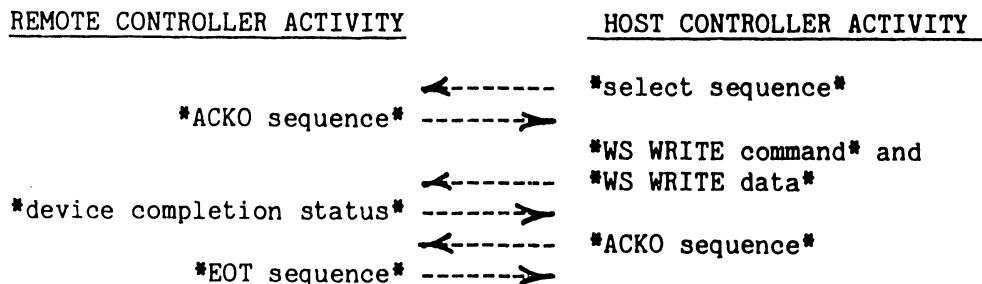


Figure 5-4. Data Link Handshaking for *WS WRITE Command* Sequence

The host controller first establishes communications with the selected remote device and then creates both a *WS WRITE command* message and a *WS

WRITE data* message. (For format details of these output messages, refer to Table 5-4.) The host program then queues these messages for transmission by the host controller's link-protocol mechanism. That mechanism then transmits the messages, normally blocked together, with the *WS WRITE data* message compressed and transmitted as *contiguous compressed data*.

When the applicable remote controller receives these messages at the remote site, it passes them to the remote device. That device then generates and queues a status reply for transmission, packaging that reply either as a *device completion status* message or as a *completion double status* message. (For format details of these input messages, refer to Table 5-5.)

The remote controller's link-protocol mechanism normally transmits the messages to the host controller as a bisync conversational reply. When this reply is received, the host controller extracts a VS IOSW from the message and then passes the IOSW data to the host program, thereby completing the command.

5.3.3.1.2 Workstation WRITE-TABS Command

A "tab list" defining the location of horizontal-tab characters is written to a Remote Workstation by means of a START-I/O *VS WS WRITE-TABS command*. The data area pointed to by the command contains a 4-byte "order area" that is followed by the tab list data. Figure 5-5 diagrams typical data-link handshaking activity for the *WS WRITE-TABS command* sequence.

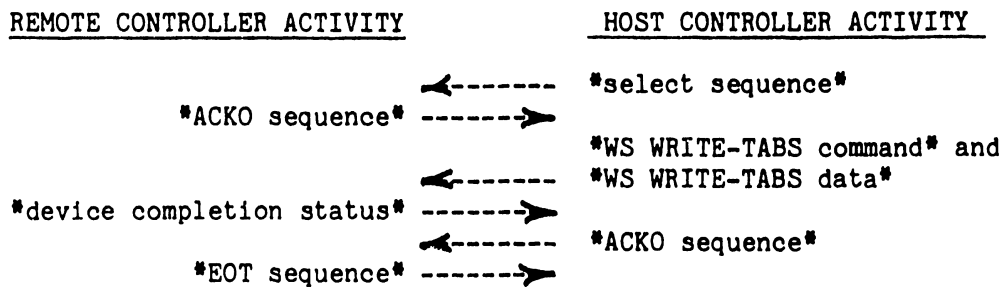


Figure 5-5. Data Link Handshaking for *WS WRITE-TABS Command* Sequence

The host controller first establishes communication with the selected remote device. The host controller then creates and queues for transmission both a *WS WRITE-TABS command* message and a *WS WRITE-TABS data* message, compressed for transmission in *contiguous compressed data* format. (For format details, refer to Table 5-4.)

When the host controller's link-protocol mechanism transmits these messages, they are passed by the applicable remote controller at the remote site to the addressed remote device. That remote device then generates and queues for transmission a status reply, which is packaged either in a *device completion status* message or in a *completion double status* message. (For format details of these input messages, refer to Table 5-5.)

The remote controller's link-protocol mechanism then transmits the message, normally passed as a bisync conversational reply to the host controller. Upon receipt of that message, the host controller extracts a VS IOSW from the message data and then passes the IOSW data to the host program, thereby completing the command.

5.3.3.1.3 Workstation WRITE-SELECTED Command

The host program writes a selected field from a portion of a screen image to a Remote Workstation by means of a START-I/O *VS WS WRITE-SELECTED command*. The data area pointed to by that command contains a 4-byte "order area" that is followed by the screen image piece. Figure 5-6 diagrams typical data-link handshaking activity for the *WS WRITE-SELECTED command* sequence.

After establishing communications with the selected remote device, the host controller creates and queues for transmission both a *WS WRITE-SELECTED command* message and a *WS WRITE-SELECTED data* message, which is compressed (to exclude fields having a selected-field bit that is not set) for transmission in *disjoint compressed data* format. (For format details of these output messages, refer to Table 5-4.) The host controller's link-protocol mechanism normally blocks the two messages together for transmission to the remote site.

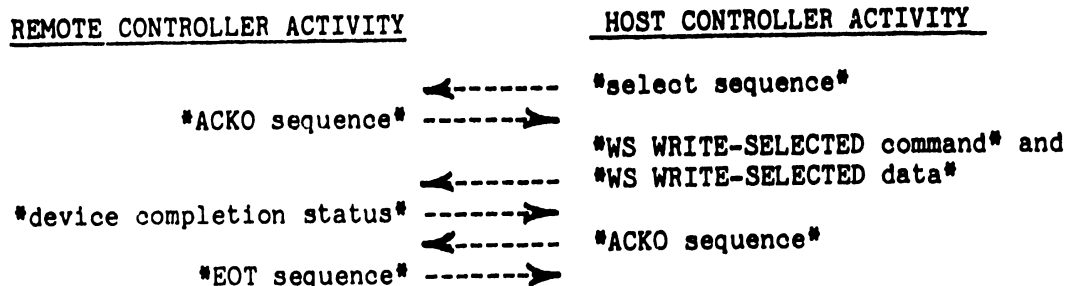


Figure 5-6. Data Link Handshaking for *WS WRITE-SELECTED Command* Sequence

Upon receipt of these messages, the applicable remote controller passes them to the addressed remote device. That remote device then generates and queues for transmission a status reply, which is packaged either in a *device completion status* message or in a *completion double status* message. (For format details of these input messages, refer to Table 5-5.)

The remote controller's link-protocol mechanisms normally transmits the status message to the host controller as a bisync conversational reply. The host controller then extracts a VS IOSW from the message and passes that IOSW data to the host program, thereby completing the command.

5.3.3.1.4 Workstation READ Command

The host controller reads a specific portion of a Remote Workstation's screen image by means of a START-I/O *VS WS READ command*. The data area pointed to by that command contains a 4-byte "order area" that is followed by the screen image buffer. Figure 5-7 diagrams typical data-link handshaking activity for the *WS WRITE-SELECTED command* sequence.

The host controller first selects the applicable remote device and then creates and queues for transmission both a *WS READ command* message and a *WS READ-ORDER data* message. (For format details of these output messages, refer to Table 5-4.) The host controller's link-protocol mechanism then transmits these messages, normally blocked together, to the remote site. Upon receipt, the applicable remote controller passes the messages to the addressed remote device. That remote device then generates and queues a data reply for

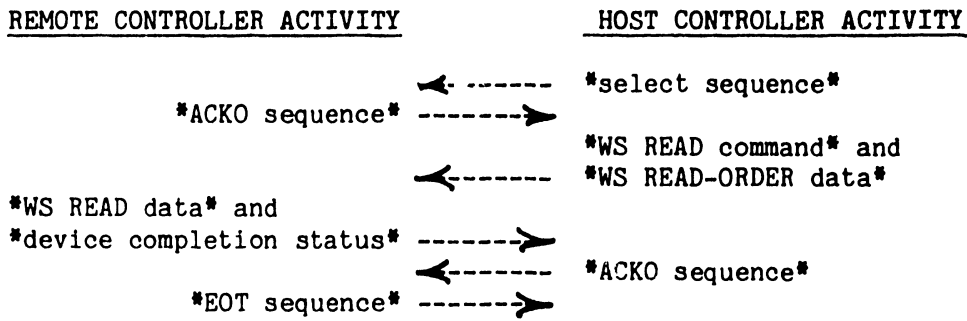


Figure 5-7. Data Link Handshaking for *WS READ Command* Sequence

transmission, packaging it as a *WS READ data* message (compressed for transmission in *contiguous compressed data* format). In addition, the device controller also generates and queues for transmission a status reply, which is packaged either in a *device completion status* message or in a *completion double status* message. (For format details of these input messages, refer to Table 5-5.)

The remote controller's link-protocol mechanism normally transmits these messages to the host controller as a bisync conversational reply. Upon receipt of these messages, the host controller extracts a VS IOSW from the supplied data and passes the IOSW data to the host program, thereby completing the command sequence.

5.3.3.1.5 Workstation READ-DIAGNOSTIC Command

The host controller reads diagnostic data from a Remote Workstation by means of a START-I/O *VS WS READ-DIAGNOSTIC command*. The data area pointed to by that command contains a 4-byte "order area" that is followed by the diagnostic data buffer. Figure 5-8 diagrams typical data-link handshaking activity for the *WS READ-DIAGNOSTIC command* sequence.

The host controller first establishes communications with the selected remote device and then creates and queues for transmission both a *WS READ-DIAGNOSTIC command* message and a *WS READ-ORDER data* message, compressed for transmission in *contiguous compressed data* format. (For format

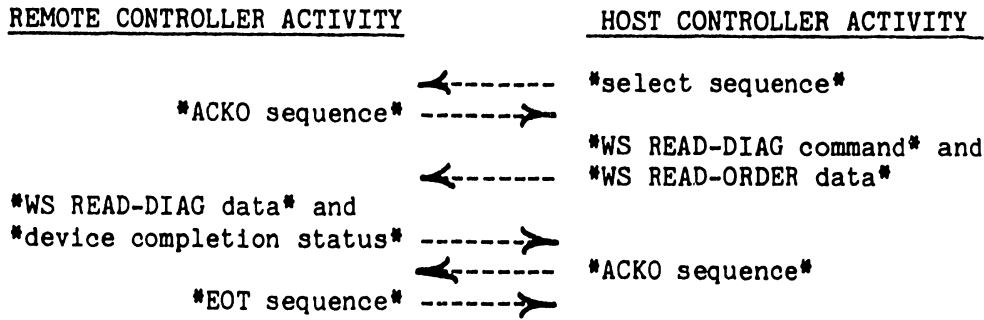


Figure 5-8. Data Link Handshaking for *WS READ-DIAGNOSTIC Command* Sequence

details of these output messages, refer to Table 5-4.) The host controller's link-protocol mechanism subsequently transmits these messages to the selected remote site, normally blocking them together.

Upon receipt of these messages, the remote controller generates and queues for transmission both a data reply and a status reply. The data reply is packaged as a *WS READ-DIAGNOSTIC data* message. The status reply is packaged either as a *device completion status* message or as a *completion double status* message. (For format details of these input messages, refer to Table 5-5.)

The remote controller's link-protocol mechanism subsequently transmits these messages to the host controller, normally blocking them together within a bisync conversational reply. The host controller then extracts a VS IOSW from the message data and passes the IOSW data to the host program, thereby completing the command.

5.3.3.1.6 Workstation READ-TABS Command

The host controller reads a "tab list" (defining the location of horizontal-tab characters) from a Remote Workstation by means of a START-I/O *VS WS READ-TABS command*. The data area pointed to by the command contains a 4-byte "order area" that is followed by the tab list buffer. Figure 5-9 diagrams typical data-link handshaking activity for the *WS READ-TABS command* sequence.

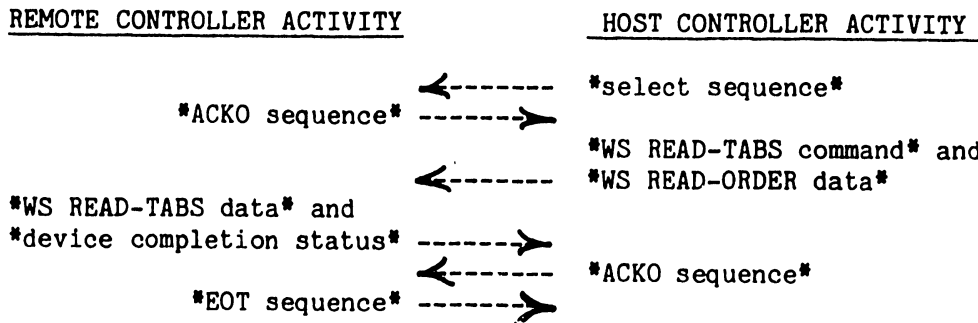


Figure 5-9. Data Link Handshaking for *WS READ-TABS Command* Sequence

The host controller first establishes communications with the selected remote device. The host controller then creates and queues for transmission both a *WS READ-TABS command* message and a *WS READ-ORDER data* message, compressed for transmission in *contiguous compressed data* format. (For format details, refer to Table 5-4.)

When the host controller's link-protocol mechanism transmits these messages, normally blocked together, the applicable remote controller at the remote site passes them to the addressed remote device. That remote device then generates and queues for transmission both a data reply and a status reply. The data reply is packaged as a *WS READ-TABS data* message. The status reply is packaged either in a *device completion status* message or in a *completion double status* message. (For format details of these input messages, refer to Table 5-5.)

The remote controller's link-protocol mechanism then transmits the messages to the host controller, normally blocking them together within a bisync conversational reply. Upon receipt of the messages, the host controller extracts a VS IOSW from the message data and then passes the IOSW data to the host program, thereby completing the command.

5.3.3.1.7 Workstation READ-Altered Command

The host controller reads modified fields within a portion of the screen image data from a Remote Workstation by means of a START-I/O *VS WS READ-TABS command*. The data area pointed to by that command contains a 4-byte "order area" that is followed by the screen image buffer. Figure 5-10 diagrams typical data-link handshaking activity for the *WS READ-ALTERED command* sequence.

The host controller first establishes communications with the selected remote device. The host controller then creates and queues for transmission both a *WS READ-ALTERED command* message and a *WS READ-ORDER data* message. The latter data message is compressed (to exclude fields having a modified field bit that is not set) for transmission in *contiguous compressed data* format. (For format details, refer to Table 5-4.)

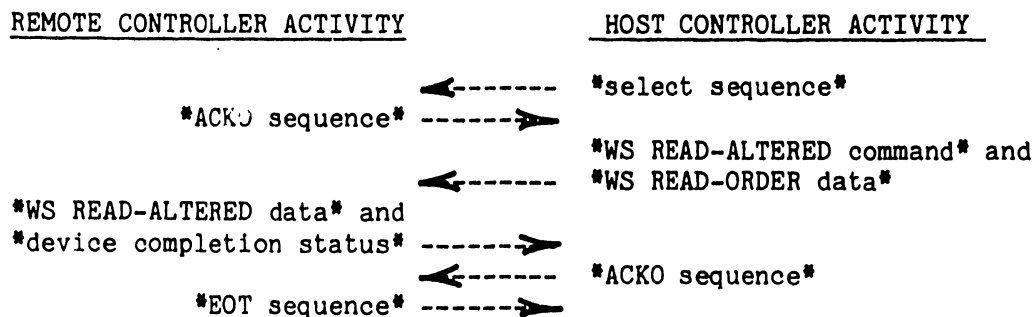


Figure 5-10. Data Link Handshaking for *WS READ-ALTERED Command* Sequence

When the host controller's link-protocol mechanism transmits these messages, normally blocked together, the applicable remote controller at the remote site passes them to the addressed remote device. That remote device then generates and queues for transmission both a data reply and a status reply. The data reply is packaged as a *WS READ-ALTERED data* message. The status reply is packaged either in a *device completion status* message or in a *completion double status* message. (For format details of these input messages, refer to Table 5-5.)

The remote controller's link-protocol mechanism then transmits the messages to the host controller, normally blocking them together within a bisync conversational reply. Upon receipt of the messages, the host controller extracts a VS IOSW from the message data and then passes the IOSW data to the host program, thereby completing the command.

5.3.4 HOST-INITIATED COMMANDS TO REMOTE PRINTERS

The host program writes a block of print-image records to a parallel printer attached to a Remote Workstation by means of a START-I/O *VS PRINTER WRITE command*. The data area pointed to by that command contains a block of compressed print-image records. Figure 5-11 diagrams typical data-link handshaking activity for the *printer WRITE command* sequence.

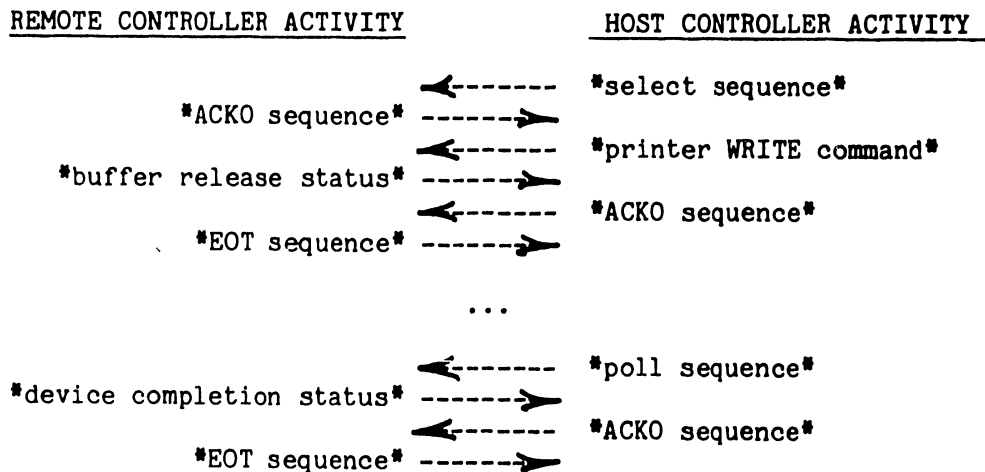


Figure 5-11. Data Link Handshaking for *Printer WRITE Command* Sequence

The host controller begins the interchange sequence by establishing communication with the remote device to which the selected parallel printer is connected. The host controller then creates and queues for transmission both a *printer WRITE command* message and a *printer WRITE data* message. Unlike the previously discussed workstation-data messages, the *printer WRITE data* message is transmitted in *uncompressed data* format; the telecommunications facility need not compress the data in this instance, because the host program

compresses the data before passing it to the host controller. (For format details, refer to Table 5-4.)

When the host controller's link-protocol mechanism transmits these messages, normally blocked together, the applicable remote controller at the remote site passes them to the addressed remote device. That device then generates and queues for transmission a buffer-release status signal, which is packaged as a *buffer release status* message. The remote link-protocol mechanism then transmits that message to the host controller, normally within a bisync conversational reply. Upon receipt of that message, the host controller extracts a VS IOSW from the message data and then passes the IOSW data to the host program, thereby signaling the host program that it may release the data buffer that was pointed to by the *printer WRITE command*. After all print-image records have been printed, the remote device generates a new status reply, which is packaged and queued for transmission either as a *device completion status* message or as a *completion double status* message. (For format details, refer to Table 5-5.)

The remote controller's link-protocol mechanism normally transmits this status reply message in response to a host-initiated *poll sequence*. Upon receipt of this message, the host controller extracts a VS IOSW from the message and then passes that IOSW data to the host program, thereby completing the command sequence.

5.3.5 REQUEST FOR ATTENTION BY A REMOTE DEVICE

Any remote device having no outstanding command may issue an *unsolicited IOSW* message to initiate servicing by the host program. In normal Remote Workstation operation, for example, this event occurs whenever the operator activates either of the ENTER or HELP keys or any PF key. The remote controller for that device then creates an *unsolicited status* message and queues that message for transmission. Figure 5-12 diagrams typical data-link handshaking activity for the *unsolicited IOSW* communications sequence.

The remote controller's link-protocol mechanism normally transmits the message to the host controller as a reply to a host-initiated *poll sequence*. Upon receiving the *unsolicited IOSW* message, the host controller

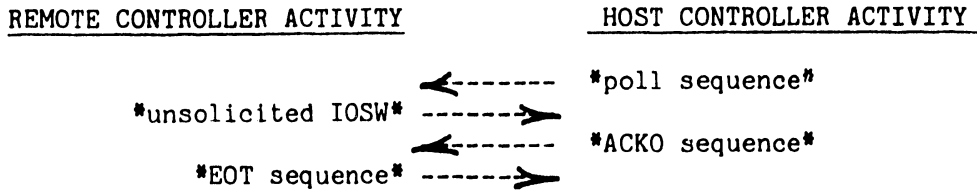


Figure 5-12. Data Link Handshaking for *Unsolicited IOSW* Sequence

extracts the VS IOSW data from that message and then passes the IOSW data to the host program, thereby signalling to the host program that the associated Remote Workstation desires attention. If the host program issues any higher priority command before the *unsolicited IOSW* message reaches the host controller, the host controller holds the received message until that command has been completed and then passes the IOSW data to the host program.

5.3.6 COMMAND ABORTION BY HOST PROGRAM

The host program may abort an outstanding command by issuing a HALT-I/O command. Upon receipt of that command, the host controller creates a *HALTIO* message and queues that message for transmission. The remote link-protocol mechanism subsequently transmits the message to the applicable remote device. In the event that the remote device has issued a command-termination IOSW by the time that the *HALTIO* message reaches the remote controller, the remote controller ignores the *HALTIO* message. Otherwise, the *HALTIO* message is passed to the remote device in normal sequence.

After a *HALTIO* message has been passed to the remote device, that remote device normally will respond by issuing a new IOSW message, which is queued for transmission as a *device completion status* message. When the remote controller's link-protocol mechanism transmits the message, the host controller extracts the VS IOSW data from the message and then passes that IOSW data to the host program, thereby completing the command.

Table 5-1. Modified BNF Notation for Defining Data Formats

NOTE

Wang documentation defines the formats of messages and data areas using a modified version of Backus-Naur Format (BNF) notation, as summarized below. The entire set of possibilities for the format of a message or for data structure in general is defined through a set of expressions called "productions," as separately delineated in the following tables. These productions describe stepwise decomposition of the data structure into "terminal elements." A terminal element may be any of a mnemonic representation of a character, a graphic representation of a character string, a binary representation of a bit string, or a hexadecimal representation of a nibble string. The convention as to the order of transmission/reception is as follows:

character string	--	leftmost character first
bit string	--	rightmost bit first
nibble string	--	leftmost byte-within-string, rightmost nibble-within-byte first
character/nibble	--	low-order bit first

NOTATION

SIGNIFICANCE

::=	Denotes "consists of" and is the verb of a production.
< >	Separates alternative adjacent items within the predicate of a production.
< or > * *	Encloses the name of a decomposable item. Indivisible items (usually a byte, a nibble, or a bit) have a mnemonic or single-word name.
X' '	Encloses a string of hexadecimal digits.
b' '	Encloses a string of binary digits.
x	Indicates an arbitrary nibble or bit within a hexadecimal or bit string.
" "	Encloses a character string.
[]	Encloses an expression that defines a repetition count of the preceding item.
..	Separates the smallest and largest values of a range.
()	Encloses a sequence of alternative items or a repeated item.

Table 5-2. Data-Link Sequences Transmitted by Remote Site

<data link sequence>	::=	<EOT sequence> <ENQ sequence> <NAK sequence> <ACK0 sequence> <ACK1 sequence> <WACK sequence> <text block>
<EOT sequence>	::=	SYN[4] EOT X'FF'
<ENQ sequence>	::=	SYN[4] ENQ X'FF'
<NAK sequence>	::=	SYN[4] NAK X'FF'
<ACK0 sequence>	::=	SYN[4] DLE X'70' X'FF'
<ACK1 sequence>	::=	SYN[4] DLE X'61' X'FF'
<WACK sequence>	::=	SYN[4] DLE X'6B' X'FF'
<text block>	::=	SYN[4] DLE STX (<device message> DLE ITB 16-bit-block-check SYN[2] DLE STX)[0+] <device message> DLE ETX 16-bit-block-check X'FF'
SYN	::=	X'32'
DLE	::=	X'10'
NAK	::=	X'3D'
EOT	::=	X'37'
ENQ	::=	X'2D'
STX	::=	X'02'
ITB	::=	X'18' 1F'
ETX	::=	X'03'

Table 5-3. Data-Link Sequences Transmitted by Host Controller

<data link sequence>	::=	<EOT sequence> <ENC sequence> <poll sequence> <select sequence> <NAK sequence> <ACKC sequence> <ACK1 sequence> <WACK sequence> <text block>
<EOT sequence>	::=	SYN[4] EOT X'FF'
<ENC sequence>	::=	SYN[4] ENQ X'FF'
<poll sequence>	::=	SYN[4] <site address> X'FF' X'xx' ENQ X'FF'
<select sequence>	::=	SYN[4] <site address> <port address> <device address> ENQ X'FF'
<NAK sequence>	::=	SYN[4] NAK X'FF'
<ACKC sequence>	::=	SYN[4] DLE X'70' X'FF'
<ACK1 sequence>	::=	SYN[4] DLE X'61' X'FF'
<WACK sequence>	::=	SYN[4] DLE X'6B' X'FF'
<text block>	::=	SYN[4] DLE STX (<device message> DLE ITB 16-bit-block-check SYN[2] DLE STX)[0+] <device message> DLE ETX 16-bit-block-check X'FF'
<site address>	::=	X'CO' .. X'DF'
<port address>	::=	X'CO'
<device address>	::=	<workstation address> <attached printer address>
<workstation address>	::=	X'CO'
<attached printer address>	::=	X'C1'
SYN	::=	A'32'
DLE	::=	X'10'
NAK	::=	X'3D'
EOT	::=	X'37'
ENC	::=	X'2D'
STX	::=	X'02'
ITB	::=	X'1E'
ETX	::=	X'03'

Table 5-4. Message Formats for Output Messages Passed to Remote Device by Host Controller

<device message>	::=	<haltio> <LOAD-DEVICE command> <START-DEVICE command> <printer WRITE command> <vs WRITE command> <vs WRITE-DIAGNOSTIC command> <vs WRITE-TABS command> <vs WRITE-SELECTED command> <vs READ command> <vs READ-DIAGNOSTIC command> <vs READ-TABS command> <vs READ-ALTERED command> <device microcode data> <printer WRITE data> <vs READ-ORDER data> <vs WRITE data> <vs WRITE-DIAGNOSTIC data> <vs WRITE-TABS data> <vs WRITE-SELECTED data>
<haltio>	::=	<address header> X'00'
<LOAD-DEVICE command>	::=	<address header> X'01' <LOAD-DEVICE iocw>
<START-DEVICE command>	::=	<address header> X'01' <START-DEVICE iocw>
<printer WRITE command>	::=	<address header> X'02' <printer WRITE iocw>
<vs WRITE command>	::=	<address header> X'02' <vs WRITE iocw>
<vs WRITE-DIAGNOSTIC command>	::=	<address header> X'02' <vs WRITE-DIAGNOSTIC iocw>
<vs WRITE-TABS command>	::=	<address header> X'02' <vs WRITE-TABS iocw>
<vs WRITE-SELECTED command>	::=	<address header> X'02' <vs WRITE-SELECTED iocw>
<vs READ command>	::=	<address header> X'02' <vs READ iocw>
<vs READ-DIAGNOSTIC command>	::=	<address header> X'02' <vs READ-DIAGNOSTIC iocw>
<vs READ-TABS command>	::=	<address header> X'02' <vs READ-TABS iocw>
<vs READ-ALTERED command>	::=	<address header> X'02' <vs READ-ALTERED iocw>
<device microcode data>	::=	<address header> X'03' device-microcode-piece
<printer WRITE data>	::=	<address header> X'03' block-of-print-records
<vs READ-ORDER data>	::=	<address header> X'03' vs-order
<vs WRITE data>	::=	<address header> X'04' contiguous-compressed-vs-order- ℓ -screen-image-piece
<vs WRITE-DIAGNOSTIC data>	::=	<address header> X'04' contiguous-compressed-vs-order- ℓ -diagnostic-data
<vs WRITE-TABS data>	::=	<address header> X'04' contiguous-compressed-vs-order- ℓ -tab-column-list
<vs WRITE-SELECTED data>	::=	<address header> X'05' disjoint-compressed-vs-order- ℓ -screen-image-piece
<LOAD-DEVICE iocw>	::=	(X'A0' X'A2) X'00'[0..8]
<START-DEVICE iocw>	::=	X'E0' X'00'[0..8]
<printer WRITE iocw>	::=	(X'80' X'82') X'00'[3] <data length> X'xx'[0..2]
<vs WRITE iocw>	::=	(X'80' X'82') X'00'[3] <data length> X'xx'[0..2]
<vs WRITE-DIAGNOSTIC iocw>	::=	(X'88' X'8A') X'00'[3] <data length> X'xx'[0..2]
<vs WRITE-TABS iocw>	::=	(X'84' X'86') X'00'[3] <data length> X'xx'[0..2]
<vs WRITE-SELECTED iocw>	::=	(X'90' X'92') X'00'[3] <data length> X'xx'[0..2]
<vs READ iocw>	::=	(X'40' X'42') X'00'[3] <buffer length> X'xx'[0..2]
<vs READ-DIAGNOSTIC iocw>	::=	(X'48' X'4A') X'00'[3] <buffer length> X'xx'[0..2]
<vs READ-TABS iocw>	::=	(X'44' X'46') X'00'[3] <buffer length> X'xx'[0..2]
<vs READ-ALTERED iocw>	::=	(X'50' X'52') X'00'[3] <buffer length> X'xx'[0..2]
<address header>	::=	<site address> <port address> <device address>
<site address>	::=	X'CO' .. X'DF'
<port address>	::=	X'CO'
<device address>	::=	<workstation address> <2246r printer address>
<workstation address>	::=	X'CO'
<2246r printer address>	::=	X'C1'

Table 5-5. Message Formats for Input Messages Passed to Host Controller by Remote Device

<device message>	::=	<device completion status> <load complete status> <load error status> <device unsolicited iosw> <power-on status> <device error status> <completion double status> <buffer release status> <vs READ data> <vs READ-DIAGNOSTIC data> <vs READ-TABS data> <vs READ-ALTERED data>
<device completion status>	::=	<address header> X'06' device-completion-iosw
<load complete status>	::=	<address header> X'06' <load complete iosw>
<load error status>	::=	<address header> X'06' <load error iosw>
<device unsolicited status>	::=	<address header> X'07' device-unsolicited-iosw
<power-on status>	::=	<address header> X'07' <power-on iosw>
<device error status>	::=	<address header> X'07' <device error iosw>
<completion double status>	::=	<address header> X'08' device-completion-iosw
<buffer release status>	::=	<address header> X'09' device-buffer-release-iosw
<vs READ data>	::=	<address header> X'0B' contiguous-compressed-screen-image-buffer
<vs READ-DIAGNOSTIC data>	::=	<address header> X'0B' contiguous-compressed-diagnostic-data
<vs READ-TABS data>	::=	<address header> X'0B' contiguous-compressed-tab-list
<vs READ-ALTERED data>	::=	<address header> X'0C' disjoint-compressed-vs-screen-image-piece
<load complete iosw>	::=	X'4000' X'00'[6]
<load error iosw>	::=	X'2019' X'00'[6]
<power-on iosw>	::=	X'10<device type>9' X'00'[6]
<device error iosw>	::=	X'1018' X'00'[6]
<device type>	::=	X'4-bits-from-device-type-switches'
<address header>	::=	<site address> <port address> <device address>
<site address>	::=	b'110<low-order-5-bits-from-option-switches>'
<port address>	::=	X'C0'
<device address>	::=	<workstation address> <2246r printer address>
<workstation address>	::=	X'C0'
<2246r printer address>	::=	X'C1'

Table 5-6. Message Formats for Compressed Data Messages

```
<contiguous compressed data> ::= <c-compressed string>[1+]  
  
<c-compressed string> ::= <n-byte string> | <byte repeated n times>  
<n-byte string> ::= b'0<n-1>' data-byte[n]  
<byte repeated n times> ::= b'1<n-1>' data-byte  
  
<disjoint compressed data> ::= <d-compressed string>[1+]  
  
<d-compressed string> ::= <n-byte string> | <byte repeated n times> | <skip n bytes>  
<n-byte string> ::= b'01<n-1>' data-byte[n]  
<byte repeated n times> ::= b'00<n-1>' data-byte  
<skip n bytes> ::= b'1<n-1>' data-byte
```

Table 5-7. VS Remote Device I/O Commands and Data Formats

<I/O command>	::=	<CONTROL-I/O command> <START-I/O command> HALT-IO-command
<CONTROL-I/O command>	::=	<LOAD-22v06 command> <START-22v06 command> <VS LOAD-POLL-LIST command> <VS LOAD-DEVICE command> <VS START-DEVICE command>
<START-I/O command>	::=	<VS WS WRITE command> <VS WS WRITE-DIAGNOSTIC command> <VS WS WRITE-TABS command> <VS WS WRITE-SELECTED command> <VS WS READ command> <VS WS READ-DIAGNOSTIC command> <VS WS READ-TABS command> <VS WS READ-ALTERED command> <VS PRINTER WRITE command>
<LOAD-22v06 command>	::=	(X'90' X'92) <data area address> <data area length> X'xx'[0..2]
<START-22v06 command>	::=	X'D0' X'xx'[0..8]
<VS LOAD-POLL-LIST command>	::=	(X'A9' X'AB) <data area address> <data area length> X'xx'[0..2]
<VS LOAD-DEVICE command>	::=	(X'A0' X'A2) <data area address> <data area length> X'xx'[0..2]
<VS START-DEVICE command>	::=	X'E0' X'xx'[0..8]
<VS WS WRITE command>	::=	(X'60' X'82) <data area address> <data area length> X'xx'[0..2]
<VS WS WRITE-DIAGNOSTIC command>	::=	(X'88' X'8A) <data area address> <data area length> X'xx'[0..2]
<VS WS WRITE-TABS command>	::=	(X'84' X'86) <data area address> <data area length> X'xx'[0..2]
<VS WS WRITE-SELECTED command>	::=	(X'90' X'92) <data area address> <data area length> X'xx'[0..2]
<VS WS READ command>	::=	(X'40' X'42) <data area address> <data area length> X'xx'[0..2]
<VS WS READ-DIAGNOSTIC command>	::=	(X'48' X'4A) <data area address> <data area length> X'xx'[0..2]
<VS WS READ-TABS command>	::=	(X'44' X'46) <data area address> <data area length> X'xx'[0..2]
<VS WS READ-ALTERED command>	::=	(X'50' X'52) <data area address> <data area length> X'xx'[0..2]
<VS PRINTER WRITE command>	::=	(X'80' X'82) <data area address> <data area length> X'xx'[0..2]
<data area address>	::=	3-byte-VS-memory-address
<data area length>	::=	2-byte-length
<command data area>	::=	<LOAD-22v06 data> <VS LOAD-POLL-LIST data> <VS LOAD-DEVICE data> <VS WS WRITE data> <VS WS WRITE-DIAGNOSTIC data> <VS WS WRITE-TABS data> <VS WS WRITE-SELECTED data> <VS WS READ data> <VS WS READ-DIAGNOSTIC data> <VS WS READ-TABS data> <VS WS READ-ALTERED data> <VS PRINTER WRITE data>
<LOAD-22v06 data>	::=	22v06-microcode-piece
<LOAD-POLL-LIST data>	::=	<site address> <port address> <device address> <device type>
<LOAD-DEVICE data>	::=	device-microcode-piece
<VS WS WRITE data>	::=	4-byte-vs-order screen-image-piece
<VS WS WRITE-DIAGNOSTIC data>	::=	4-byte-vs-order diagnostic-data
<VS WS WRITE-TABS data>	::=	4-byte-vs-order tab-column-list
<VS WS WRITE-SELECTED data>	::=	4-byte-vs-order screen-image-piece
<VS WS READ data>	::=	4-byte-vs-order screen-image-buffer>
<VS WS READ-DIAGNOSTIC data>	::=	4-byte-vs-order diagnostic-data-buffer>
<VS WS READ-TABS data>	::=	4-byte-vs-order tab-column-list-buffer>
<VS WS READ-ALTERED data>	::=	4-byte-vs-order screen-image-piece-buffer>
<VS PRINTER WRITE data>	::=	block-of-print-records

5-26

MODEL 2246R REMOTE STANDALONE WORKSTATION
Section 5 - Remote Workstation Protocol

03-0089

SECTION

6

OPERA-

TOR

INFORMA-

TION

SECTION 6
OPERATOR INFORMATION

6.1 GENERAL

To initialize the 2246R Remote Workstation, proceed as follows at the VS system's Command Console (Workstation #0).

NOTE

The illustrations of CRT-screen presentations referenced in the following procedure steps are reduced copies of VS system printouts obtained by pressing program-function key PF15 on the Command Console after performing the applicable step. These diagrams thus include time/day information and specific port assignments (determined by the port-selection switches on the 22V06 TC IOP assembly in the VS CPU mainframe) that may differ from equivalent values that will appear on the CRT screen when you perform this same procedure. In addition, these printouts include a screen-edge border that does not appear as part of the actual CRT presentation, and character-entry locations that are displayed as bright character-size squares on the screen are symbolized in these printouts by the use of asterisks.

- a. IPL the VS system to establish normal operating conditions, producing the system-setup presentation shown in Figure 6-1 on the Vs system's Command Console.
- b. At the Command Console, press program-function key PF7 to obtain a CRT presentation of the DEVICE STATUS control menu shown in Figure 6-2.
- c. Press program-function key PF9 to obtain the REMOTE DEVICES control presentation shown in Figure 6-3.

```

.....
***      1      2      3      4      5      6      7      8 ***
*** 123456789012345678901234567890123456789012345678901234567890 ***
.....
.
. 1*      *** WANG VS OPERATOR'S CONSOLE ***      1*
. 2*      9:00 AM WEDNESDAY JULY 25, 1979      2*
. 3*      *      *      *      *      *      *      *      *      3*
. 4*      *      *      *      *      *      *      *      *      4*
. 5*      *      *      *      *      *      *      *      *      5*
. 6*      *      *      *      *      *      *      *      *      6*
. 7*      *      *      *      *      *      *      *      *      7*
. 8*      *      *      *      *      *      *      *      *      8*
. 9*      *      *      *      *      *      *      *      *      9*
.10*     *      *      *      *      *      *      *      *     10*
. 1*     *      *      *      *      *      *      *      *      1*
. 2*     *      *      *      *      *      *      *      *      2*
. 3*     *      *      *      *      *      *      *      *      3*
. 4*     *      *      *      *      *      *      *      *      4*
. 5*     *      *      *      *      *      *      *      *      5*
. 6*     *      *      *      *      *      *      *      *      6*
. 7*     *      *      *      *      *      *      *      *      7*
. 8*     *      *      *      *      *      *      *      *      8*
. 9*     *      *      *      *      *      *      *      *      9*
.10*    *      *      *      *      *      *      *      *     10*
. 1*    *      *      *      *      *      *      *      *      1*
. 2*    *      *      *      *      *      *      *      *      2*
. 3*    *      *      *      *      *      *      *      *      3*
. 4*    *      *      *      *      *      *      *      *      4*
. 5*    *      *      *      *      *      *      *      *      5*
. 6*    *      *      *      *      *      *      *      *      6*
. 7*    *      *      *      *      *      *      *      *      7*
. 8*    *      *      *      *      *      *      *      *      8*
. 9*    *      *      *      *      *      *      *      *      9*
.10*   *      *      *      *      *      *      *      *     10*
. 1*   *      *      *      *      *      *      *      *      1*
. 2*   *      *      *      *      *      *      *      *      2*
. 3*   *      *      *      *      *      *      *      *      3*
. 4*   *      *      *      *      *      *      *      *      4*
. 5*   *      *      *      *      *      *      *      *      5*
. 6*   *      *      *      *      *      *      *      *      6*
. 7*   *      *      *      *      *      *      *      *      7*
. 8*   *      *      *      *      *      *      *      *      8*
. 9*   *      *      *      *      *      *      *      *      9*
.10*  *      *      *      *      *      *      *      *     10*
. 1*  *      *      *      *      *      *      *      *      1*
. 2*  *      *      *      *      *      *      *      *      2*
. 3*  *      *      *      *      *      *      *      *      3*
. 4*  *      *      *      *      *      *      *      *      4*
. 5*  *      *      *      *      *      *      *      *      5*
. 6*  *      *      *      *      *      *      *      *      6*
. 7*  *      *      *      *      *      *      *      *      7*
. 8*  *      *      *      *      *      *      *      *      8*
. 9*  *      *      *      *      *      *      *      *      9*
.10* *      *      *      *      *      *      *      *     10*
. 1* *      *      *      *      *      *      *      *      1*
. 2* *      *      *      *      *      *      *      *      2*
. 3* *      *      *      *      *      *      *      *      3*
. 4* *      *      *      *      *      *      *      *      4*
. 5* *      *      *      *      *      *      *      *      5*
. 6* *      *      *      *      *      *      *      *      6*
. 7* *      *      *      *      *      *      *      *      7*
. 8* *      *      *      *      *      *      *      *      8*
. 9* *      *      *      *      *      *      *      *      9*
.10* *      *      *      *      *      *      *      *     10*
.....
. 1*     (1) RETURN to User Mode      1*
. 2*     (2) Display and Control PRINT QUEUE Entries      2*
. 3*     (3) Control PRINTER(S)      3*
. 4*     (4) Display and Control JOB QUEUE Entries      4*
. 5*     (5) Control I/O Processing Tasks      5*
. 6*     (6) Control INTERACTIVE Processing Tasks      6*
. 7*     (7) Control DEVICE STATUS      7*
. 8*     (8) Print I/O Error LOG      8*
. 9*     (9) Control SYSTEM STATUS      9*
.10*    *      *      *      *      *      *      *      *     10*
. 1*    *      *      *      *      *      *      *      *      1*
. 2*    *      *      *      *      *      *      *      *      2*
. 3*    *      *      *      *      *      *      *      *      3*
. 4*    *      *      *      *      *      *      *      *      4*
. 5*    *      *      *      *      *      *      *      *      5*
. 6*    *      *      *      *      *      *      *      *      6*
. 7*    *      *      *      *      *      *      *      *      7*
. 8*    *      *      *      *      *      *      *      *      8*
. 9*    *      *      *      *      *      *      *      *      9*
.10*   *      *      *      *      *      *      *      *     10*
. 1*   *      *      *      *      *      *      *      *      1*
. 2*   *      *      *      *      *      *      *      *      2*
. 3*   *      *      *      *      *      *      *      *      3*
. 4*   *      *      *      *      *      *      *      *      4*
. 5*   *      *      *      *      *      *      *      *      5*
. 6*   *      *      *      *      *      *      *      *      6*
. 7*   *      *      *      *      *      *      *      *      7*
. 8*   *      *      *      *      *      *      *      *      8*
. 9*   *      *      *      *      *      *      *      *      9*
.10*  *      *      *      *      *      *      *      *     10*
.....
. 1*     1      2      3      4      5      6      7      8 ***
. 2*     12345678901234567890123456789012345678901234567890 ***
. 3*     .....
. 4*     .....
. 5*     .....
. 6*     .....
. 7*     .....
. 8*     .....
. 9*     .....
.10*    .....
. 1*    .....
. 2*    .....
. 3*    .....
. 4*    .....
. 5*    .....
. 6*    .....
. 7*    .....
. 8*    .....
. 9*    .....
.10*   .....
. 1*   .....
. 2*   .....
. 3*   .....
. 4*   .....
. 5*   .....
. 6*   .....
. 7*   .....
. 8*   .....
. 9*   .....
.10*  .....
. 1*  .....
. 2*  .....
. 3*  .....
. 4*  .....
. 5*  .....
. 6*  .....
. 7*  .....
. 8*  .....
. 9*  .....
.10* .....
.....

```

Figure 6-1. System-Setup Presentation on Command Console Following IPL

```

.....
***      1      2      3      4      5      6      7      8 ***
*** 123456789012345678901234567890123456789012345678901234567890 ***
.....
.
. 1*      *** CONTROL DEVICE STATUS ***      1*
. 2*      9:01 AM WEDNESDAY JULY 25, 1979      2*
. 3*      *      *      *      *      *      *      *      *      3*
. 4*      *      *      *      *      *      *      *      *      4*
. 5*      *      *      *      *      *      *      *      *      5*
. 6*      *      *      *      *      *      *      *      *      6*
. 7*      *      *      *      *      *      *      *      *      7*
. 8*      *      *      *      *      *      *      *      *      8*
. 9*      *      *      *      *      *      *      *      *      9*
.10*     *      *      *      *      *      *      *      *     10*
. 1*     *      *      *      *      *      *      *      *      1*
. 2*     *      *      *      *      *      *      *      *      2*
. 3*     *      *      *      *      *      *      *      *      3*
. 4*     *      *      *      *      *      *      *      *      4*
. 5*     *      *      *      *      *      *      *      *      5*
. 6*     *      *      *      *      *      *      *      *      6*
. 7*     *      *      *      *      *      *      *      *      7*
. 8*     *      *      *      *      *      *      *      *      8*
. 9*     *      *      *      *      *      *      *      *      9*
.10*    *      *      *      *      *      *      *      *     10*
. 1*    *      *      *      *      *      *      *      *      1*
. 2*    *      *      *      *      *      *      *      *      2*
. 3*    *      *      *      *      *      *      *      *      3*
. 4*    *      *      *      *      *      *      *      *      4*
. 5*    *      *      *      *      *      *      *      *      5*
. 6*    *      *      *      *      *      *      *      *      6*
. 7*    *      *      *      *      *      *      *      *      7*
. 8*    *      *      *      *      *      *      *      *      8*
. 9*    *      *      *      *      *      *      *      *      9*
.10*   *      *      *      *      *      *      *      *     10*
. 1*   *      *      *      *      *      *      *      *      1*
. 2*   *      *      *      *      *      *      *      *      2*
. 3*   *      *      *      *      *      *      *      *      3*
. 4*   *      *      *      *      *      *      *      *      4*
. 5*   *      *      *      *      *      *      *      *      5*
. 6*   *      *      *      *      *      *      *      *      6*
. 7*   *      *      *      *      *      *      *      *      7*
. 8*   *      *      *      *      *      *      *      *      8*
. 9*   *      *      *      *      *      *      *      *      9*
.10*  *      *      *      *      *      *      *      *     10*
. 1*  *      *      *      *      *      *      *      *      1*
. 2*  *      *      *      *      *      *      *      *      2*
. 3*  *      *      *      *      *      *      *      *      3*
. 4*  *      *      *      *      *      *      *      *      4*
. 5*  *      *      *      *      *      *      *      *      5*
. 6*  *      *      *      *      *      *      *      *      6*
. 7*  *      *      *      *      *      *      *      *      7*
. 8*  *      *      *      *      *      *      *      *      8*
. 9*  *      *      *      *      *      *      *      *      9*
.10* *      *      *      *      *      *      *      *     10*
.....
. 1*     (4) Display DEVICE STATUS      1*
. 2*     (6) MOUNT/DISMOUNT Device      2*
. 3*     (7) ATTACH/DETACH Device      3*
. 4*     (9) Control REMOTE DEVICES      4*
. 5*     *      *      *      *      *      *      *      *      5*
. 6*     *      *      *      *      *      *      *      *      6*
. 7*     *      *      *      *      *      *      *      *      7*
. 8*     *      *      *      *      *      *      *      *      8*
. 9*     *      *      *      *      *      *      *      *      9*
.10*    *      *      *      *      *      *      *      *     10*
. 1*    *      *      *      *      *      *      *      *      1*
. 2*    *      *      *      *      *      *      *      *      2*
. 3*    *      *      *      *      *      *      *      *      3*
. 4*    *      *      *      *      *      *      *      *      4*
. 5*    *      *      *      *      *      *      *      *      5*
. 6*    *      *      *      *      *      *      *      *      6*
. 7*    *      *      *      *      *      *      *      *      7*
. 8*    *      *      *      *      *      *      *      *      8*
. 9*    *      *      *      *      *      *      *      *      9*
.10*   *      *      *      *      *      *      *      *     10*
. 1*   *      *      *      *      *      *      *      *      1*
. 2*   *      *      *      *      *      *      *      *      2*
. 3*   *      *      *      *      *      *      *      *      3*
. 4*   *      *      *      *      *      *      *      *      4*
. 5*   *      *      *      *      *      *      *      *      5*
. 6*   *      *      *      *      *      *      *      *      6*
. 7*   *      *      *      *      *      *      *      *      7*
. 8*   *      *      *      *      *      *      *      *      8*
. 9*   *      *      *      *      *      *      *      *      9*
.10*  *      *      *      *      *      *      *      *     10*
. 1*  *      *      *      *      *      *      *      *      1*
. 2*  *      *      *      *      *      *      *      *      2*
. 3*  *      *      *      *      *      *      *      *      3*
. 4*  *      *      *      *      *      *      *      *      4*
. 5*  *      *      *      *      *      *      *      *      5*
. 6*  *      *      *      *      *      *      *      *      6*
. 7*  *      *      *      *      *      *      *      *      7*
. 8*  *      *      *      *      *      *      *      *      8*
. 9*  *      *      *      *      *      *      *      *      9*
.10* *      *      *      *      *      *      *      *     10*
.....

```

Figure 6-2. DEVICE STATUS Control Menu

- d. Using the cursor positioning keys and/or the TAB key, as applicable, move the cursor to the appropriate device-assignment line and enter zero-digit identifications (i.e., press the 0 key while the cursor is at entry block) in the CLUSTER, PORT, and DEVICE-ON-PORT columns of the REMOTE DEVICES control presentation, as shown in Figure 6-4. (This assignment value may be changed by future multi-station applications.)

NOTE

If you are connected to a 2246R Remote Workstation through a 2228N Null Modem assembly, you can now activate that workstation by skipping steps e and f, following, and proceeding directly to step g, below. If you are connected through an operational telecommunications modem, however, continue with this procedure.

- e. Dial the telephone number associated with the telecommunications modem at the remote site, and establish contact with appropriate operator personnel in that area. Explain that you are initializing the 2246R Remote Workstation at that site, and direct the person at that site to perform the following steps in sequence:
 - (1) Ensure that the power-breaker toggle switch on the left end of the 2246R Remote Workstation's rear base panel is set up, applying power to workstation circuits.
 - (2) Depress the DATA pushbutton switch on the far-end telecommunications modem (at which point you will lose contact).
 - (3) Confirm that the Remote Workstation becomes initialized (after you perform step f, following), as indicated by presentation of the normal LOGIN presentation on its CRT screen.
- f. After you hear a clear dial tone, indicating that the far-end operator has depressed the DATA pushbutton switch on his telecommunications modem, depress the DATA pushbutton switch on the VS system modem connected to the 22V06 TC IOP. Confirm that the indicator in this DATA pushbutton switch becomes and remains lit, indicating establishment of telecommunications service.


```

.....
**** 12345678901234567890123456789012345678901234567890123456789012345678901234567890 ****
.....
* 1*                                     *** CONTROL REMOTE DEVICES ***                               * 1*
* 2*                                     3:02 AM WEDNESDAY JULY 25, 1973                               * 2*
* 3*                                                                                                                                           * 3*
* 4*                                                                                                                                           * 4*
* 5*                                                                                                                                           * 5*
* 6*                                                                                                                                           * 6*
* 7*                                                                                                                                           * 7*
* 8* DEVICE LINE TYPE CLUSTER PORT DEVICE-ON-PORT STATUS                                         * 8*
* 9* 32 2246R*** ** ** ** **                                                                                   * 9*
*10* 33 2246R*** ** ** **                                                                                   *10*
* 1* 34 2246R*** ** ** **                                                                                   * 1*
* 2* 64 2246R*** ** ** **                                                                                   * 2*
* 3* 65 2246R*** ** ** **                                                                                   * 3*
* 4* 66 2246R*** ** ** **                                                                                   * 4*
* 5*                                                                                                                                           * 5*
* 6*                                                                                                                                           * 6*
* 7*                                                                                                                                           * 7*
* 8*                                                                                                                                           * 8*
* 9*                                                                                                                                           * 9*
*10*                                                                                                                                           *10*
*11* Position Cursor to Indicate Device and Press P/Key to Perform Action:                       *11*
*12*                                                                                                                                           *12*
*13*                                                                                                                                           *13*
*14*                                                                                                                                           *14*
*15*                                                                                                                                           *15*
*16*                                                                                                                                           *16*
*17*                                                                                                                                           *17*
*18*                                                                                                                                           *18*
*19*                                                                                                                                           *19*
*20*                                                                                                                                           *20*
*21*                                                                                                                                           *21*
*22*                                                                                                                                           *22*
*23*                                                                                                                                           *23*
*24*                                                                                                                                           *24*
*25*                                                                                                                                           *25*
*26*                                                                                                                                           *26*
*27*                                                                                                                                           *27*
*28*                                                                                                                                           *28*
*29*                                                                                                                                           *29*
*30*                                                                                                                                           *30*
*31*                                                                                                                                           *31*
*32*                                                                                                                                           *32*
*33*                                                                                                                                           *33*
*34*                                                                                                                                           *34*
*35*                                                                                                                                           *35*
*36*                                                                                                                                           *36*
*37*                                                                                                                                           *37*
*38*                                                                                                                                           *38*
*39*                                                                                                                                           *39*
*40*                                                                                                                                           *40*
*41*                                                                                                                                           *41*
*42*                                                                                                                                           *42*
*43*                                                                                                                                           *43*
*44*                                                                                                                                           *44*
*45*                                                                                                                                           *45*
*46*                                                                                                                                           *46*
*47*                                                                                                                                           *47*
*48*                                                                                                                                           *48*
*49*                                                                                                                                           *49*
*50*                                                                                                                                           *50*
*51*                                                                                                                                           *51*
*52*                                                                                                                                           *52*
*53*                                                                                                                                           *53*
*54*                                                                                                                                           *54*
*55*                                                                                                                                           *55*
*56*                                                                                                                                           *56*
*57*                                                                                                                                           *57*
*58*                                                                                                                                           *58*
*59*                                                                                                                                           *59*
*60*                                                                                                                                           *60*
*61*                                                                                                                                           *61*
*62*                                                                                                                                           *62*
*63*                                                                                                                                           *63*
*64*                                                                                                                                           *64*
*65*                                                                                                                                           *65*
*66*                                                                                                                                           *66*
*67*                                                                                                                                           *67*
*68*                                                                                                                                           *68*
*69*                                                                                                                                           *69*
*70*                                                                                                                                           *70*
*71*                                                                                                                                           *71*
*72*                                                                                                                                           *72*
*73*                                                                                                                                           *73*
*74*                                                                                                                                           *74*
*75*                                                                                                                                           *75*
*76*                                                                                                                                           *76*
*77*                                                                                                                                           *77*
*78*                                                                                                                                           *78*
*79*                                                                                                                                           *79*
*80*                                                                                                                                           *80*
*81*                                                                                                                                           *81*
*82*                                                                                                                                           *82*
*83*                                                                                                                                           *83*
*84*                                                                                                                                           *84*
*85*                                                                                                                                           *85*
*86*                                                                                                                                           *86*
*87*                                                                                                                                           *87*
*88*                                                                                                                                           *88*
*89*                                                                                                                                           *89*
*90*                                                                                                                                           *90*
*91*                                                                                                                                           *91*
*92*                                                                                                                                           *92*
*93*                                                                                                                                           *93*
*94*                                                                                                                                           *94*
*95*                                                                                                                                           *95*
*96*                                                                                                                                           *96*
*97*                                                                                                                                           *97*
*98*                                                                                                                                           *98*
*99*                                                                                                                                           *99*
*100*                                                                                                                                           *100*
.....
**** 12345678901234567890123456789012345678901234567890123456789012345678901234567890 ****
.....

```

Figure 6-3. REMOTE DEVICES Control Presentation

```

.....
**** 12345678901234567890123456789012345678901234567890123456789012345678901234567890 ****
.....
* 1*                                     *** CONTROL REMOTE DEVICES ***                               * 1*
* 2*                                     3:02 AM WEDNESDAY JULY 25, 1973                               * 2*
* 3*                                                                                                                                           * 3*
* 4*                                                                                                                                           * 4*
* 5*                                                                                                                                           * 5*
* 6*                                                                                                                                           * 6*
* 7*                                                                                                                                           * 7*
* 8* DEVICE LINE TYPE CLUSTER PORT DEVICE-ON-PORT STATUS                                         * 8*
* 9* 32 2246R*** 0* 0* 0*                                                                                   * 9*
*10* 33 2246R*** ** ** **                                                                                   *10*
* 1* 34 2246R*** ** ** **                                                                                   * 1*
* 2* 64 2246R*** ** ** **                                                                                   * 2*
* 3* 65 2246R*** ** ** **                                                                                   * 3*
* 4* 66 2246R*** ** ** **                                                                                   * 4*
* 5*                                                                                                                                           * 5*
* 6*                                                                                                                                           * 6*
* 7*                                                                                                                                           * 7*
* 8*                                                                                                                                           * 8*
* 9*                                                                                                                                           * 9*
*10*                                                                                                                                           *10*
*11* Position Cursor to Indicate Device and Press P/Key to Perform Action:                       *11*
*12*                                                                                                                                           *12*
*13*                                                                                                                                           *13*
*14*                                                                                                                                           *14*
*15*                                                                                                                                           *15*
*16*                                                                                                                                           *16*
*17*                                                                                                                                           *17*
*18*                                                                                                                                           *18*
*19*                                                                                                                                           *19*
*20*                                                                                                                                           *20*
*21*                                                                                                                                           *21*
*22*                                                                                                                                           *22*
*23*                                                                                                                                           *23*
*24*                                                                                                                                           *24*
*25*                                                                                                                                           *25*
*26*                                                                                                                                           *26*
*27*                                                                                                                                           *27*
*28*                                                                                                                                           *28*
*29*                                                                                                                                           *29*
*30*                                                                                                                                           *30*
*31*                                                                                                                                           *31*
*32*                                                                                                                                           *32*
*33*                                                                                                                                           *33*
*34*                                                                                                                                           *34*
*35*                                                                                                                                           *35*
*36*                                                                                                                                           *36*
*37*                                                                                                                                           *37*
*38*                                                                                                                                           *38*
*39*                                                                                                                                           *39*
*40*                                                                                                                                           *40*
*41*                                                                                                                                           *41*
*42*                                                                                                                                           *42*
*43*                                                                                                                                           *43*
*44*                                                                                                                                           *44*
*45*                                                                                                                                           *45*
*46*                                                                                                                                           *46*
*47*                                                                                                                                           *47*
*48*                                                                                                                                           *48*
*49*                                                                                                                                           *49*
*50*                                                                                                                                           *50*
*51*                                                                                                                                           *51*
*52*                                                                                                                                           *52*
*53*                                                                                                                                           *53*
*54*                                                                                                                                           *54*
*55*                                                                                                                                           *55*
*56*                                                                                                                                           *56*
*57*                                                                                                                                           *57*
*58*                                                                                                                                           *58*
*59*                                                                                                                                           *59*
*60*                                                                                                                                           *60*
*61*                                                                                                                                           *61*
*62*                                                                                                                                           *62*
*63*                                                                                                                                           *63*
*64*                                                                                                                                           *64*
*65*                                                                                                                                           *65*
*66*                                                                                                                                           *66*
*67*                                                                                                                                           *67*
*68*                                                                                                                                           *68*
*69*                                                                                                                                           *69*
*70*                                                                                                                                           *70*
*71*                                                                                                                                           *71*
*72*                                                                                                                                           *72*
*73*                                                                                                                                           *73*
*74*                                                                                                                                           *74*
*75*                                                                                                                                           *75*
*76*                                                                                                                                           *76*
*77*                                                                                                                                           *77*
*78*                                                                                                                                           *78*
*79*                                                                                                                                           *79*
*80*                                                                                                                                           *80*
*81*                                                                                                                                           *81*
*82*                                                                                                                                           *82*
*83*                                                                                                                                           *83*
*84*                                                                                                                                           *84*
*85*                                                                                                                                           *85*
*86*                                                                                                                                           *86*
*87*                                                                                                                                           *87*
*88*                                                                                                                                           *88*
*89*                                                                                                                                           *89*
*90*                                                                                                                                           *90*
*91*                                                                                                                                           *91*
*92*                                                                                                                                           *92*
*93*                                                                                                                                           *93*
*94*                                                                                                                                           *94*
*95*                                                                                                                                           *95*
*96*                                                                                                                                           *96*
*97*                                                                                                                                           *97*
*98*                                                                                                                                           *98*
*99*                                                                                                                                           *99*
*100*                                                                                                                                           *100*
.....
**** 12345678901234567890123456789012345678901234567890123456789012345678901234567890 ****
.....

```

Figure 6-4. Entry of "Zero" Assignments for Remote Workstation's CLUSTER, PORT, and DEVICE-ON-PORT Control Identifications

- g. Press program-function key PF8 on the Command Console to pass the zero-digit assignment entries to the VS Operating System. The Operating System then should respond by blanking out the entered assignments and presenting a DEVICE RESERVED identification in the STATUS column of the REMOTE DEVICES control presentation, as shown in Figure 6-5.

Following a short delay, the 2246R Remote Workstation at the remote site should become activated, producing a normal LOGIN solicitation on its screen. From that point on, display and entry performance of that 2246R Remote Workstation should be identical to display and entry performance of any "local" workstation connected to the VS system.

In the event, now or later, that data communications with the Remote Workstation becomes lost (as, for example, by loss or shutdown of power at the remote site), an "ASSISTANCE REQUIRED FOR WORKSTAT" message will appear across the top of the Command Console's REMOTE DEVICES control presentation, together with the applicable device-assignment number and the time at which communications were lost, as shown in Figure 6-6.

```

.....
****      1      2      3      4      5      6      7      8 ****
**** 123456789012345678901234567890123456789012345678901234567890 ****
.....
*  *
* 1*          *** CONTROL REMOTE DEVICES ***          * 1*
* 2*          9:06 AM      WEDNESDAY      JULY 25, 1979          * 2*
* 3*                                                    * 3*
* 4*                                                    * 4*
* 5*                                                    * 5*
* 6*                                                    * 6*
* 7*                                                    * 7*
* 8*          DEVICE   LINE   TYPE   CLUSTER   PORT   DEVICE-ON-PORT   STATUS          * 8*
* 9*          32      2246R***   **   **   **   **   DEVICE RESERVED * 9*
*10*          33      2246R***   **   **   **   **                *10*
* 1*          34      2246R***   **   **   **   **                * 1*
* 2*          64      2246R***   **   **   **   **                * 2*
* 3*          65      2246R***   **   **   **   **                * 3*
* 4*          66      2246R***   **   **   **   **                * 4*
* 5*                                                    * 5*
* 6*                                                    * 6*
* 7*                                                    * 7*
* 8*                                                    * 8*
* 9*                                                    * 9*
*20*                                                    *20*
* 1*          Position Cursor to Indicate Device and Press Pfkkey to Perform Action: * 1*
* 2*                                                    * 2*
* 3*                                                    (8) ACTIVATE      * 3*
* 4*                                                    (9) DEACTIVATE    * 4*
*  *
.....
****      1      2      3      4      5      6      7      8 ****
**** 123456789012345678901234567890123456789012345678901234567890 ****
.....

```

Figure 6-5. REMOTE DEVICES Control Presentation Following Completion of CLUSTER, PORT, and DEVICE-ON-PORT Assignments

```

.....
****      1      2      3      4      5      6      7      8 ****
**** 123456789012345678901234567890123456789012345678901234567890 ****
.....
*  *
* 1*          *** CONTROL REMOTE DEVICES ***          * 1*
* 2*          10:12 AM     WEDNESDAY      JULY 25, 1979          * 2*
* 3*                                                    * 3*
* 4*                                                    * 4*
* 5*          ASSISTANCE REQUIRED FOR WORKSTAT 32 ..... 10:12 * 5*
* 6*                                                    * 6*
* 7*                                                    * 7*
* 8*          DEVICE   LINE   TYPE   CLUSTER   PORT   DEVICE-ON-PORT   STATUS          * 8*
* 9*          32      2246R***   **   **   **   **   DEVICE RESERVED * 9*
*10*          33      2246R***   **   **   **   **                *10*
* 1*          34      2246R***   **   **   **   **                * 1*
* 2*          64      2246R***   **   **   **   **                * 2*
* 3*          65      2246R***   **   **   **   **                * 3*
* 4*          66      2246R***   **   **   **   **                * 4*
* 5*                                                    * 5*
* 6*                                                    * 6*
* 7*                                                    * 7*
* 8*                                                    * 8*
* 9*                                                    * 9*
*20*                                                    *20*
* 1*          Position Cursor to Indicate Device and Press Pfkkey to Perform Action: * 1*
* 2*                                                    * 2*
* 3*                                                    (8) ACTIVATE      * 3*
* 4*                                                    (9) DEACTIVATE    * 4*
*  *
.....
****      1      2      3      4      5      6      7      8 ****
**** 123456789012345678901234567890123456789012345678901234567890 ****
.....

```

Figure 6-6. Production of "ASSISTANCE REQUIRED" Message on Command Console's REMOTE DEVICES Control Presentation In Event of Telecommunications Failure

SECTION

7

THEORY

OF

OPERA-

TION

SECTION 7
THEORY OF OPERATION

7.1 GENERAL

Logic/control circuits on the 210-7456 CRT Monitor Electronics board and the 210-7156 Power Supply Regulators board are standard subassemblies of the standard workstation monitor design, common to all Wang workstations, and are not discussed here. The unique 2246R Remote Workstation logic is composed of two major sections, each contained on a separate PC-board:

- a. The Telecommunication Data Link Processor (DLP)
- b. The Workstation Processor (WP)

7.2 TELECOMMUNICATIONS DATA LINK PROCESSOR (210-7478 TC/MEMORY BOARD)

The hardware design of the telecommunications data link processor (DLP) logic exploits the functional capabilities of the Z80 CPU chip, together with its companion CTC, SIO, and DMA microelectronic devices, while providing sufficient memory and a modem interface capable of supporting both bisync and bit-oriented protocols. The DLP circuitry is contained on the 210-7478 TC/Memory board (see Figure 7-1), as detailed in the following subparagraphs.

7.2.1 Z80 CPU

The Z80 CPU chip is the hub around which the DLP is built. It requires a single +5V power source and a single clock frequency, which in this case is 17.1 MHz. The chip uses a 16-bit address bus and an 8-bit data bus for bi-directional data flow. A reset line initializes the chip and six major status output lines. These lines are M1, MREQ, IORQ, RD, WR, and RFSH, which collectively inform the associated circuitry what function the CPU is about to perform. The M1 signal is active during the first cycle (the fetch cycle) of

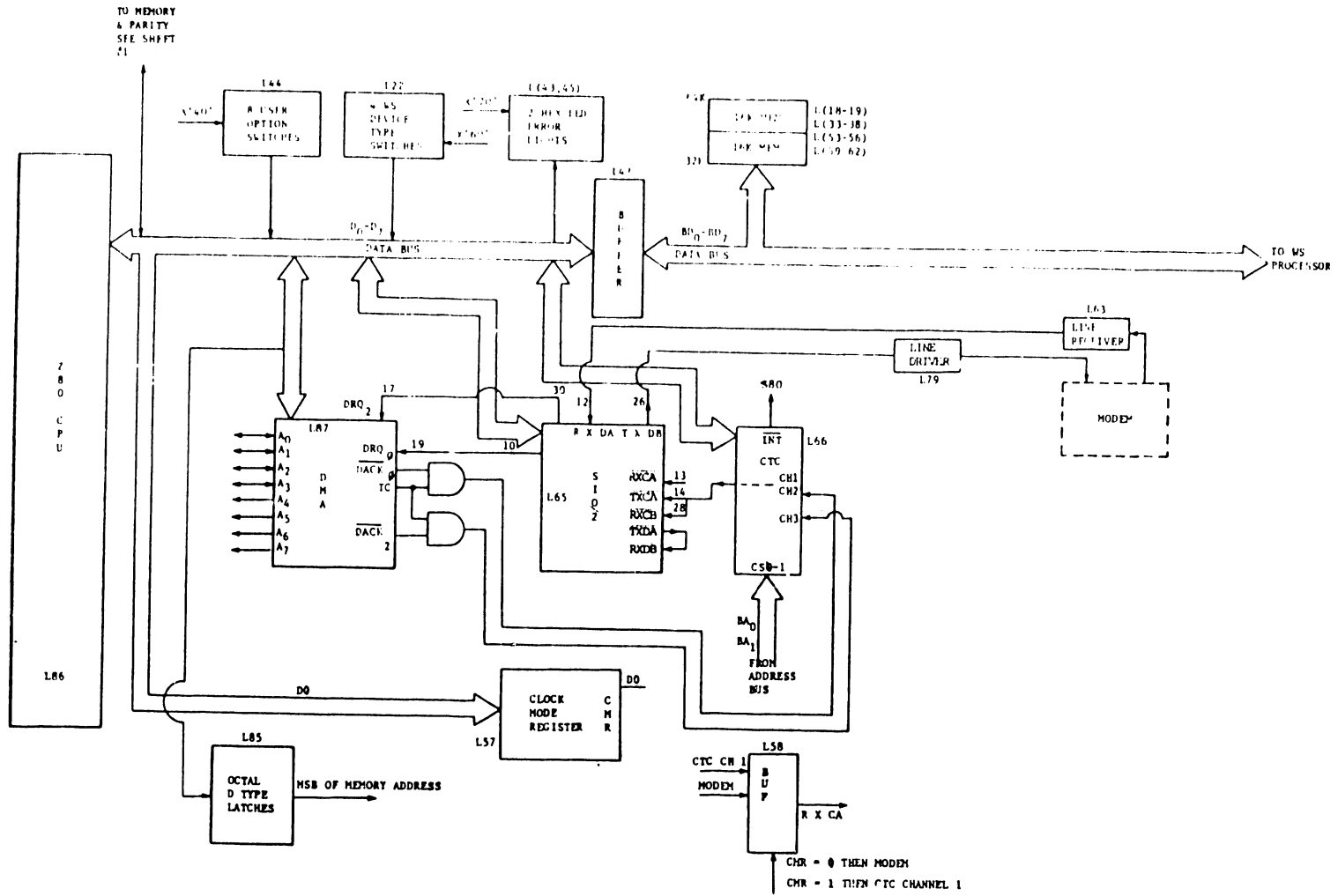


Figure 7-2. 210-7478 TC/Memory Board (DLP), Block Diagram (Sheet 2 of 2)

each instruction cycle and also during a special interrupt-acknowledge cycle that is discussed in further detail later in this discussion. The MREQ (Memory REQuest) signal is active when memory is being accessed to fetch either an instruction or data. The IORQ (Input/Output ReQuest) signal goes active to indicate an input or output to a peripheral device or during the same previously mentioned interrupt acknowledge cycle. The RD (ReaD) signal indicates that the CPU will input data while performing a memory access or I/O instruction, while the WR (WRite) signal indicates that the CPU will output data. During an M1 (Memory period #1) fetch cycle, the CPU will output an address for memory refresh; the RFSH (ReFreSH) signal confirms the active presence of that address.

In addition, the Z80 CPU receives a BUSRQ (BUS-ReQuest) input, which requests the CPU to switch its address, data, and status bus lines into the high impedance state so that an outside device may use these buses. An associated BUSAK (BUS-AKnowledge) output goes active when the CPU has complied with this request. Another WAIT input requests the CPU to extend the current memory access or I/O cycle as long as it is active. Finally, the Z80 CPU uses two interrupt inputs, INT (INTerrupt) and NMI (Non-Maskable Interrupt). The non-maskable NMI input signals the DLP when a parity error occurs. The maskable INT signal serves as the interrupt input for all other interrupt-causing devices in the system and is under software control.

Z80 vectored interrupts are generated for the following functions, listed by interrupt priority:

- SIO Channel A receiver
- SIO Channel A transmitter (used only by loopback diagnostic)
- SIO Channel A status (not used by bisync support)
- SIO Channel B receiver (used only by loopback diagnostic)
- SIO Channel B transmitter
- SIO Channel B status (not used by bisync support)
- CTC Channel 0 software timer
- CTC Channel 1 (interrupt not used)
- CTC Channel 2 (interrupt vector source for DMA channel 0)
- CTC Channel 3 (interrupt vector source for DMA channel 1)

Because of the load imposed upon them, the address lines must be buffered. L83 provides buffering for the lower eight bits, and L84 provides buffering for the upper eight. The outputs from these buffers go to the high-impedance (HI-Z) state in response to an active BUSAK signal from the CPU, allowing some other circuit to use the address bus. The buffered address lines go to the Workstation Processor and select the upper 32K bytes of RAM, which is addressed as 0-32K by the workstation memory.

Address lines A_{11} through A_{13} also go direct from the CPU to decoder L103, which selects any 2K portion out of a 16K-byte PROM made up by L88 through L95. L68 and L67 use address bits A_0 through A_{13} to select any location from 16K RAM through 32K RAM (L69 through L76). L77 is used as bit 9 for the L7 RAM parity 9-bit odd/even generator checker. In addition, L46 decodes A_4 through A_6 to generate the I/O port addresses.

7.2.2 INPUT/OUTPUT ARCHITECTURE

The DLP I/O architecture is constant from one controller to another, except for variations of the machine interface and the optional presence or absence of an auto-dial interface and/or a DMA chip.

All I/O hardware is addressed by the DLP through input-output ports. The I/O port addresses are summarized in Table 7-1. Memory-mapped I/O is not possible because of the need for the VS single remote workstation DLP to address 64K of data memory. Address bit A_{15} (L10) is used by the DLP microprocessor to address the upper 32K byte of its memory.

The clock required by the CPU is generated by a crystal-controlled circuit, producing a 17.1-MHz output frequency.

Like the address lines, the data lines are buffered (by L42). These data lines also go directly from the CPU to the Counter/Timer chip, the Serial I/O chip, and the DMA chip (each of which is separately discussed in the following paragraphs).

Table 7-1. Z80 CPU I/O-Port Addresses

PORT	OUTPUT PORT DESTINATION	INPUT PORT SOURCE	NOTE
X'00'	SIO Channel A Data Register	SIO Channel A Data Register	
X'01'	SIO Channel B Data Register	SIO Channel B Data Register	
X'02'	SIO Channel A Command Register	SIO Channel A Status Register	
X'03'	SIO Channel B Command Register	SIO Channel B Status Register	
X'10'	DMA Channel 0 Address Register	DMA Channel 0 Address Register	(1)
X'11'	DMA Channel 0 Count Register	DMA Channel 0 Count Register	(1)
X'14'	DMA Channel 2 Address Register	DMA Channel 2 Address Register	(1)
X'15'	DMA Channel 2 Count Register	DMA Channel 2 Count Register	(1)
X'16'	DMA Channel 3 Address Register	DMA Channel 3 Address Register	(1)
X'17'	DMA Channel 3 Count Register	DMA Channel 3 Count Register	(1)
X'18'	DMA Mode Register	DMA Status Register	(1)
X'20'	CTC Channel 0 Control Register	CTC Channel 0 Status Register	
X'21'	CTC Channel 1 Control Register	CTC Channel 1 Status Register	
X'22'	CTC Channel 2 Control Register	CTC Channel 2 Status Register	
X'23'	CTC Channel 3 Control Register	CTC Channel 3 Status Register	
X'30'	ACU Control Signal Register	ACU Status Signals	(2)
X'40'	Internal Clock Enable Register	User Option Switches	
X'50'	Signal Bus Processor		(3)
X'60'	Signal Workstation Restart	Workstation Status Register	(4)
X'70'	Error Light Register		(5)

NOTES

- (1) Applies only to data-link processors having an Intel 8257 DMA chip.
- (2) Applies only to data-link processors having an RS-366 ACU interface.
- (3) Applies only to data-link processors attached to a new bus processor.
- (4) Applies only to single remote workstation processor.
- (5) Optional (for output of diagnostic information).

7.2.3 COUNTER/TIMER CIRCUIT (CTC)

The Counter/Timer circuit is contained in a single chip (L66). This chip actually contains four identical circuits, which can be used independently as either timers or event counters. This system uses CTC Channel 0 as a software timer, with no external connections. CTC Channel 1 is used as a synchronous transmission clock, connected both to the Serial I/O and to the modem interface. CTC Channel 2 is used by DMA Channel 0, and CTC Channel 3 is used by DMA Channel 2, both being used to generate interrupts.

7.2.4 SERIAL INPUT/OUTPUT (SIO)

The SIO chip contains two transmit channels and two receive channels. The SIO Transmit Channel A output is connected to its Receive Channel B for

internal loopback diagnostic use. SIO Transmit Channel B and Receive Channel A are connected to the RS-232 modem interface. SIO Receive Channel A is connected to DMA Channel 0, and SIO Transmit Channel B is connected to DMA Channel 2.

CTC Channel 1 provides the synchronous clocking for the diagnostic loopback channels. In addition, this clock signal output can be switched into Receive Channel A under program control in order to guarantee clock pulses for performance of the cyclic redundancy check (CRC) in HDLC mode. The same output also goes to modem interface pin 11 (the otherwise unused SECONDARY REQUEST TO SEND signal) for null modem use.

Table 7-2 shows how signals are distributed between the SIO channels and the modem interface.

Table 7-2. SIO and Modem Interface Signal Distribution

DESTINATION SIGNAL	SOURCE SIGNAL
SIO Channel A CARRIER DETECT	Modem pin 8 Carrier Detect
SIO Channel A RECEIVE CLOCK	(Determined by Clock Mode Register)
SIO Channel A RECEIVE DATA	Modem pin 3 Receive Data
DATA TERMINAL READY - (Modem pin 20)	SIO Channel B Data Term. Rdy
REQUEST TO SEND - (Modem pin 4)	SIO Channel B Request to Send
SIO Channel B CLEAR TO SEND	Modem pin 5 Clear to Send
SIO Channel B TRANSMIT CLOCK	Modem pin 15 Transmit Clock
TRANSMIT DATA - (Modem pin 2)	SIO Channel B Transmit Data
SIO Channel A CLEAR TO SEND	SIO Channel A Request to Send
SIO Channel A TRANSMIT CLOCK	CTC Channel 1 clock output
SIO Channel B CARRIER DETECT	Modem pin 6 Data Set Ready
SIO Channel B RECEIVE DATA	SIO Channel A Transmit Data
SIO Channel B RECEIVE CLOCK	CTC Channel 1 clock output
SECONDARY REQUEST TO SEND - (Modem pin 11)	CTC Channel 1 clock output

7.2.5 CLOCK MODE REGISTER (CMR)

The Clock Mode Register (CMR) contains only one bit, bit 0, which controls the source signal for the SIO Channel A RECEIVE CLOCK signal, as follows:

CMR bit 0 = Logic 0
 RECEIVE CLOCK (from modem pin 17)

CMR bit 0 = Logic 1
 CTC Channel 1 clock output

7.2.6 DIRECT-MEMORY ADDRESSING (DMA)

The Direct-Memory Addressing (DMA) circuit is a single logic chip (L87) that provides for the direct flow of information between memory and the SIO ports without involving the CPU.

The 8257 chip (L87) provides four separate DMA channels, labeled CH-0 through CH-3. Each channel includes two 16-bit registers: (1) a DMA address register and (2) a terminal-count register. Both registers must be initialized before a channel is enabled. The DMA address register must be loaded with the address of the first memory location to be accessed. The terminal-count register must be loaded with a two-part code that identifies both the number of DMA cycles that the associated channel is to process and the type of DMA operation that is involved.

The two most significant bits of the terminal-count register specify the type of DMA operation for the associated channel. These two bits are not modified during a DMA cycle, but they can be changed between DMA blocks. In general, however, a value of $n-1$ (where n = the number of desired DMA cycles) must be loaded into the 14 low-order bits of the terminal-count register. This 14-bit value specifies the number of DMA cycles, minus one, before the Terminal Count (TC) output is activated. A terminal count of 0, for example, would cause the TC output to be active in the first DMA cycle for that channel.

Each channel also accepts a DMA Request input (DRQ n) and provides a DMA Acknowledge output (DACK n), as discussed in the following subparagraphs.

7.2.6.1 DMA Request Lines DRQ 0 Through DRQ 3

These four individual asynchronous-channel DMA request inputs are used by the peripherals to obtain a DMA cycle. If the system is currently not in the rotating priority mode, DRQ 0 has the highest priority, and DRQ 3 has the lowest. A request can be generated by raising the associated request line and holding it high until DMA Acknowledge conditions occur. For multiple DMA cycles (Burst Mode), the request line is held high until the DMA Acknowledge signal for the last cycle arrives.

7.2.6.2 DMA Acknowledge Lines DACK 0 Through DACK 3

An active low logic level on any of these DMA Acknowledge output lines informs the peripheral device connected to that channel that it has been selected for a DMA cycle.

7.2.7 DATA BUS BUFFER

This three-state, bidirectional, eight bit buffer (L42) interfaces the 8257 DMA chip to the system data bus:

7.2.7.1 Data Bus Lines D₀ Through D₇

These are bidirectional three-state lines. When the 8257 DMA circuit is being programmed by the CPU, eight bits of data are received on this data bus for a DMA address register, a terminal-count register, or the Mode Set register. When the CPU reads a DMA address register, a terminal count register, or the Workstation Status register, conversely, the data outputs from the applicable circuit is sent to the CPU over this same data bus. During DMA cycles (when the 8257 chip is the bus master), the 8257 chip outputs the eight most significant bits of the memory address (from one of the DMA address registers) to a 74LS373 latch (L85) via the data bus. These address bits are transferred at the beginning of the DMA cycle; the bus then becomes released to handle the memory data transfer during the balance of the DMA cycle.

7.2.8 ADDRESS BUS BUFFER

The address bus buffer (L83 and L84) uses tri-state logic to release the system address bus for use by other circuits when the CPU's BUSAK signal is active. The buffer also protects the heavily used address lines, which serve a variety of functions, from being loaded down.

7.2.8.1 Address Lines A₀ Through A₃

These four least-significant address lines are bidirectional. In the "slave" mode, they are inputs that select one of the registers to be read or

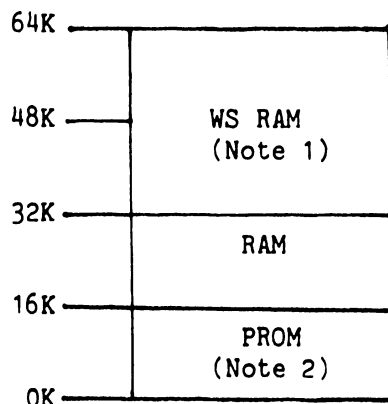
programmed. In the "master" mode, they are outputs that constitute the four least-significant bits of the 16-bit memory address generated by the 8257.

7.2.8.2 Address Lines A₄ Through A₇

These four address lines are three-state outputs, constituting bits 4 through 7 of the 16-bit memory address generated by the 8257 chip during all DMA cycles.

7.2.9 MEMORY ORGANIZATION

The memory organization of the DLP varies slightly, according to the controller device within which it resides. In all cases, however, the memory provides for a minimum of 16K-byte storage and a maximum of 32K-byte storage, making use either of 16K-bit RAM chips or 2K-byte PROM chips. Parity checking on RAM is supported. Figure 7-2 delineates the DLP memory organization.



NOTES:

(1) Workstation memory, which is addressed as 0K through 32K by the workstation microprocessor, is addressed as 32K through 64K by the DLP.

(2) Telecommunications microcode must be PROM resident. Only the amount of PROM used, which may be less than 16K, need be loaded.

Figure 7-2. DLP Memory Organization for the VS Single Remote Workstation

The RAMs are MOS 16Kx1-bit, dynamic memory circuits, having a chip access time of 150 nanoseconds and a read/modify-write cycle time of 320 nanoseconds.

7.2.9.1 Multiplexed Memory Addressing

Each MOS memory chip is physically arranged as a two-dimensional array of cells. Certain address inputs are used for row selection and the remaining address inputs are used for column selection. Row selection is required

before the sense amplifiers can begin their slow detection process. Column selection is not required until the outputs of the sense amplifiers become valid, however, because its function is to gate data from the selected sense amplifier to the data output circuitry. Since the column selection information is not used internally until well after the row selection information is required, only the row addresses need to be available to the chip at the start of a cycle. The column address thus can be determined later with no penalty of access time. The multiplexed memory address technique takes advantage of this delayed need for a column address; rather than using 13 address lines to select one of 16,384 memory cells, the memory first uses seven address lines to select one of 128 rows and then subsequently uses those same seven lines to select one of 128 columns in that selected row.

7.2.9.2 Multiplex Timing Considerations

Although address multiplexing provides some very substantial system benefits, it complicates system timing. The multiplexing technique requires that both row and column addresses get into the chip within a short time, using the same address pins. This requirement establishes a rather tight timing window during which the individual events must occur. The sequence of events required to address any given memory-chip location is as follows:

- (1) Establish a 7-bit row address to specify one of 128 rows of storage cells in the chip.
- (2) Bring the $\overline{\text{RAS}}$ (Row Address Strobe) signal low to start the row selection process by the chip's sense amplifiers.
- (3) Maintain that same row address valid for some minimum hold time to allow the chip's sense amplifiers to complete the detection process.
- (4) Establish a 7-bit column address (on the same address lines) to specify one of 128 columns in the selected row of memory storage cells.

- (5) Bring the $\overline{\text{CAS}}$ (Column Address Strobe) signal low to confirm the stabilized column address.
- (6) Hold that same column address valid for some minimum hold time to allow the chip's sense amplifiers to complete the column-address detection process (and to allow the associated read/write operation for the resultant location).

To achieve the specified access time from $\overline{\text{RAS}}$, $\overline{\text{CAS}}$ must be brought low within some specified maximum delay after $\overline{\text{RAS}}$ goes low.

To summarize, the functions of $\overline{\text{RAS}}$ are to initiate a cycle, to strobe or latch the row address, to enable the selected row of memory cells, to sense and restore the data in that row of memory cells, and to maintain the sensed data from the entire row of addressed memory cells in their respective sense amplifiers. The sense amplifiers maintain this data as long as $\overline{\text{RAS}}$ remains active. At the end of a cycle, when $\overline{\text{RAS}}$ is taken high, the selected row is immediately turned off, isolating the correct data in the cells. After the row is off, the half-digit lines are prepared for a new cycle.

$\overline{\text{CAS}}$, on the other hand, controls column selection circuitry and the transfer of data from the selected sense amplifier to the output circuitry. After $\overline{\text{RAS}}$ strobes the row address information from the multiplexed address input pins, $\overline{\text{CAS}}$ strobes the column address from the same pins. When $\overline{\text{CAS}}$ goes active (low), the column address is strobed or latched into the circuit. This address is then decoded to select the proper column. Data from the selected sense amplifier is then transferred to the output buffer, completing the read-access operation.

The 2716 PROM is a fully-static 16,348-bit (2048 X 8), erasable programmable read-only memory. There are eight such chips (L88 through L95) in the circuit. Each has an access time of 450 ns.

7.2.10 USER OPTION SWITCHES

Software-defined User Option Switches are provided on a single chip (L44 on the 210-7478 TC/Memory board). These switches are used to set the site address of a multipoint secondary station and to set any other available user options. The switch settings are read into the Z80 accumulator as shown in Figure 7-3.

7.2.11 VS SINGLE REMOTE WORKSTATION CONTROLLER

The data-link processor in the single remote workstation controller has four aspects with respect to its interface to the workstation processor:

1. The DLP has the ability to read and write the first 32K of the workstation memory as if it were the second 32K of its own memory.

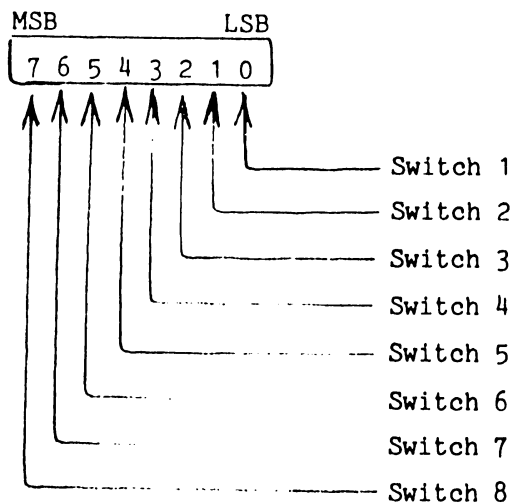


Figure 7-3. Read Sequence of L44 User Option Switches On TC/Memory Board

2. The DLP can restart the workstation by writing an output to port X'60', thereby causing the workstation processor to begin execution at its address 0.

3. The DLP can read a Workstation Status Register, located on the 210-7478 TC/Memory board (L22), which is connected both to a set of four switches that define the workstation type and to a latch that indicates whether a memory parity error has occurred in the workstation. Figure 7-4 shows the Workstation Status Register output format.

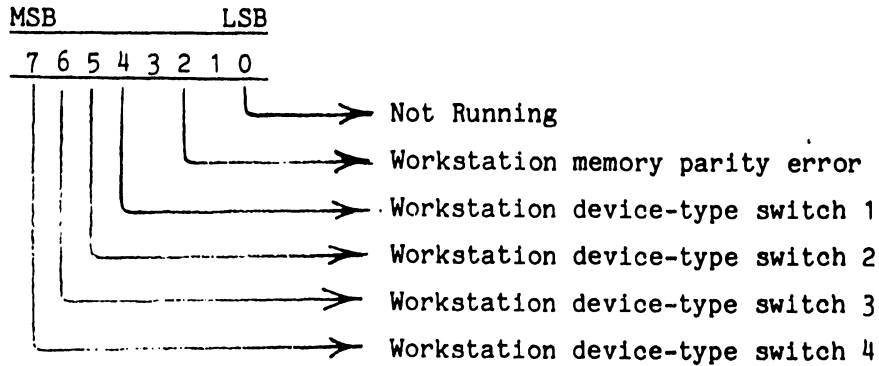


Figure 7-4. Workstation Status Register Readout Format

4. The workstation modem which supports reverse video and box graphics has certain hardware which must be initialized by the workstation processor. For reason of compatibility with other workstation models, this hardware is not visible to the workstation-resident application software. Instead, it is initialized by a routine that is loaded into the workstation by the data-link processor and executed by the workstation processor at power-up time.

7.3 WORKSTATION PROCESSOR (210-7479 ENHANCED WORSTATION CPU)

TO BE SUPPLIED

SECTION

8

DIAG-

NOSTICS

TESTING

SECTION 8
DIAGNOSTICS TESTING

8.1 GENERAL

The purpose of the 2246R Diagnostics Test is to verify the basic operational integrity of the following logic boards of the 2246R Remote Workstation and to make their respective status known to the operator:

1. 210-7478 TC/Memory Board ("MEM/DL" PC-board).
2. 210-7479 Enhanced Workstation CPU ("CRT/CPU" PC-board).

8.2 EQUIPMENT REQUIREMENTS

RS-232 Loopback Connector (see Figure 8-1)

8.3 OPERATING PROCEDURE

1. For "E-REV 0" 210-7478 TC/Memory boards, install a Diagnostics 2K PROM (2716, WLI # 378-4130) in location L94 in place of the normal-operation PROM used in that location. For "E-REV 1" boards, install that Diagnostic 2K PROM in location L95.
2. Insert two optional Hex LED's (WLI #340-0015) in locations L43 and L45 on that same TC/Memory board.
3. Select the desired test mode.

The PROM-loaded Diagnostics Test is activated by means of switch settings at location L44 on the 210-7478 TC/Memory board, between the two diagnostics readout LED's. The test has two different test modes:

- a. Continue-On-Error Mode - Recycles full range of tests in continuous sequence.
- b. Selected Test Module Mode - Repeats a selected Diagnostics Test Module continuously.

8.3.1 CONTINUE-ON-ERROR MODE TESTING:

1. Set switch S_8 in the L44 switchbank on the 210-7478 TC/Memory board to the ON position. The PROM-loaded firmware program automatically tests the following function circuits in a continually repeating loop mode:
 - a. Memory.
 - b. Workstation CPU, Workstation CPU Memory Parity, and Video Timer-Controller (VTAC).
 - c. Clock-Timer Circuit (CTC) (Internal Loopback Mode).
 - d. Serial Input/Output (SIO) Circuit (Internal Loopback Mode).
 - e. Direct Memory Addressing (DMA) Function (Needs loopback connector).

8.3.2 SELECTED-TEST-MODULE MODE TESTING

1. Set the Remote Workstation's power breaker to OFF.
2. In the L44 switchbank on the 210-7478 TC/Memory board, set both switch S_8 and the particular switch associated with the desired test module (refer to Table 8-1) to the ON position. (Only these two switches should be ON at any one time; if more than two switches are ON -- e.g., $S_8 + S_1 + S_2$ -- the software will function on a continuous loop over the entire program, thereby duplicating the Continue-On-Error mode.)
3. Test modules are executed in sequence until the test module associated with the currently active switch selection is reached. The program then loops continuously on that particular test module.

Table 8-1. Selectable 2246R Diagnostics Test Modules

<u>DIAGNOSTICS PROGRAM TEST MODULE</u>	<u>ASSOCIATED SWITCH (PLUS SW. 8)</u>
MEMORY Test	1
WORKSTATION CPU/ WORKSTATION CPU MEMORY PARITY/ VTAC Test	2
CTC Test (Internal Loopback Mode)	3
SIO Test (Internal Loopback Mode)	4
DMA Test (Needs Loopback Connector)	5

If switches S_8 and S_4 are ON, for example, the Diagnostics Test program runs the first three test modules once and then loops continuously on the SIO test module, without performing the DMA test module.

8.4 ERROR CODES

A 2-bit error code value is displayed both by the optional hex-readout LED's on the 210-7478 TC/Memory board (visible through a cutout in the middle of the back surface of the 2246R Remote Workstation cover) and as part of a special CRT-screen presentation produced during performance of the Diagnostics Test. Table 8-2 lists and defines the error-code values.

When Remote Workstation power is turned on with the Diagnostics Test PROM's in place, the workstation's CRT screen automatically produces the special IPL test presentation shown in Figure 8-2. The greater part of this presentation consists of a quality-check readout of the first 24 letters of the English alphabet, each row containing 80 occurrences of its respective letter, except that the top row replaces part of the A-character string with Diagnostics Test results, including the following information:

1. ERROR CODE=nn (where nn identifies any one of 21 error conditions, as listed in Table 8-2).

Table 8-2. Diagnostics Test ERROR CODE Readouts

<u>ERROR CODE</u>	<u>CAUSE/SOURCE OF ASSOCIATED ERROR</u>
01	DLK memory parity failed - (test module 1).
02	Nonmaskable parity error did not occur - memory test (test module 1). (No interrupt occurs.)
03	Bad data found in 48K RAM memory - (test module 1).
04	R/W control memory error in Workstation CPU (PCB 7479) - (test module 2).
05	R/W CRT memory error in Workstation CPU - (test module 2).
06	Slave status register did not indicate Workstation CPU IPL module - (test module 2).
07	Slave status register did not indicate slave run mode - (test module 2).
08	Slave CPU not operational - (test module 2).
09	CTC did not generate an interrupt - (test module 3).
10	CTC did not generate correct number of interrupts - (test module 3).
11	VTAC column port bad - (test module 2).
12	VTAC line port bad - (test module 2).
13	Channel A SIO transmitter status (CTS not high) - (test module 4).
14	Channel B - SIO receiver status bad - (test module 4).
15	SIO data bad - (test module 4).
16	SIO transmitter status bad - (test module 4).
17	SIO receiver status Channel B bad, RCVX bit data not high - (test module 4).
18	DMA terminal count bit bad - (test module 5).
19	DMA data receiver bad - (test module 5).
20	SIO transmitter status bad (hunt mode on) - either SIO test (test module 4) or DMA test (test module 5)
21	Slave CPU memory parity error - (test module 2).
FF	No error conditions detected during full test sequence.


```
IPL TEST - ERROR CODE=nn PART-n COUNT nnnnnnnn ERR-CNT = nnnn AAAAAAAAAAAAAAAAAA  
BBBBBBBBBBBBBBBBBBBBBBBBBBBBBBBBBBBBBBBBBBBBBBBBBBBBBBBBBBBBBBBBBBBBBBBB  
CCCCCCCCCCCCCCCCCCCCCCCCCCCCCCCCCCCCCCCCCCCCCCCCCCCCCCCCCCCCCCCCCCCC  
DDDDDDDDDDDDDDDDDDDDDDDDDDDDDDDDDDDDDDDDDDDDDDDDDDDDDDDDDDDDDDDDDDDDDD  
EEEEEEEEEEEEEEEEEEEEEEEEEEEEEEEEEEEEEEEEEEEEEEEEEEEEEEEEEEEEEEEEEEEE  
FFFFFFFFFFFFFFFFFFFFFFFFFFFFFFFFFFFFFFFFFFFFFFFFFFFFFFFFFFFFFFFFFFFFFFFF  
GGGGGGGGGGGGGGGGGGGGGGGGGGGGGGGGGGGGGGGGGGGGGGGGGGGGGGGGGGGGGGGGGGGG  
HHHHHHHHHHHHHHHHHHHHHHHHHHHHHHHHHHHHHHHHHHHHHHHHHHHHHHHHHHHHHHHHHHHH  
IIIIIIIIIIIIIIIIIIIIIIIIIIIIIIIIIIIIIIIIIIIIIIIIIIIIIIIIIIIIIIIIIIII  
JJJJJJJJJJJJJJJJJJJJJJJJJJJJJJJJJJJJJJJJJJJJJJJJJJJJJJJJJJJJJJJJJJ  
KKKKKKKKKKKKKKKKKKKKKKKKKKKKKKKKKKKKKKKKKKKKKKKKKKKKKKKKKKKKKKKKKKKK  
LLLLLLLLLLLLLLLLLLLLLLLLLLLLLLLLLLLLLLLLLLLLLLLLLLLLLLLLLLLLLLLLLLLL  
MMMMMMMMMMMMMMMMMMMMMMMMMMMMMMMMMMMMMMMMMMMMMMMMMMMMMMMMMMMMMMMMMMMM  
NNNNNNNNNNNNNNNNNNNNNNNNNNNNNNNNNNNNNNNNNNNNNNNNNNNNNNNNNNNNNNNNNNNN  
OOOOOOOOOOOOOOOOOOOOOOOOOOOOOOOOOOOOOOOOOOOOOOOOOOOOOOOOOOOOOOOOOOOO  
PPPPPPPPPPPPPPPPPPPPPPPPPPPPPPPPPPPPPPPPPPPPPPPPPPPPPPPPPPPPPPPPPPPP  
QQQQQQQQQQQQQQQQQQQQQQQQQQQQQQQQQQQQQQQQQQQQQQQQQQQQQQQQQQQQQQQQQQQQ  
RRRRRRRRRRRRRRRRRRRRRRRRRRRRRRRRRRRRRRRRRRRRRRRRRRRRRRRRRRRRRRRRRRR  
SSSSSSSSSSSSSSSSSSSSSSSSSSSSSSSSSSSSSSSSSSSSSSSSSSSSSSSSSSSSSSSSSSSS  
TTTTTTTTTTTTTTTTTTTTTTTTTTTTTTTTTTTTTTTTTTTTTTTTTTTTTTTTTTTTTTTTTT  
UUUUUUUUUUUUUUUUUUUUUUUUUUUUUUUUUUUUUUUUUUUUUUUUUUUUUUUUUUUUUUUUUU  
VVVVVVVVVVVVVVVVVVVVVVVVVVVVVVVVVVVVVVVVVVVVVVVVVVVVVVVVVVVVVVVVVVVV  
WWWWWWWWWWWWWWWWWWWWWWWWWWWWWWWWWWWWWWWWWWWWWWWWWWWWWWWWWWWWWWWWWW  
XXXXXXXXXXXXXXXXXXXXXXXXXXXXXXXXXXXXXXXXXXXXXXXXXXXXXXXXXXXXXXXXXXXXXXXXXX
```

Figure 8-2. Diagnostics Test Presentation on 2246R Remote Workstation Screen

2. PART-n (where n identifies the inprocess test module, as listed in Table 8-1, reading zero if the "Continue-on-Error" mode is in process).
3. COUNT nnnnnnnn (where nnnnnnnn identifies the number of times the given Diagnostic Test module has been performed in the current test sequence).
4. ERR-CNT=nnnn (where nnnn identifies the number of Diagnostic Test failures detected during the continuing sequence).

Error-code readouts usually are displayed both on the workstation CRT screen, as shown in Figure 8-2, and by the optional hex-readout LED's on the 210-7478 TC/Memory board. When switches S₈ and S₁ both are ON at the same time, however, error codes are displayed on the hex-readout LED's (when applicable), but a NO DISPLAY message is produced on the CRT screen.

If no errors are found, the hex-readout LED presentation should change from 00 to FF without stopping at any intermediate values.

SECTION

9

PREVENTIVE

MAINTENANCE

SECTION 9
PREVENTIVE MAINTENANCE

9.1 GENERAL

Perform the following preventive maintenance procedure at two-week intervals (or more frequently if equipment is installed in an unusually dirty environment):

1. Check fan blower for proper operation. Confirm that fan motor is operating, that air is being drawn into left-side cabinet vents, and that air is being exhausted from right-side cabinet vent.
2. Dust keyboard and inspect the keyboard area for any foreign material that might have dropped between the keys, removing such material if found.
3. Clean face of CRT and external surfaces of cabinet with a soft cloth and a mild detergent, used sparingly.
4. Check workstation for proper operation of all keys and display/entry functions.

SECTION

10

ADJUST-

MENTS

SECTION 10
ADJUSTMENTS

10.1 GENERAL

This section contains basic adjustments and operating parameter information, including DC-voltage adjustments, video display parameter adjustments, a reference table for IC pin voltages, and logic-board selector switch settings.

10.2 DC VOLTAGE ADJUSTMENTS

Adjustment pots for regulated power supply outputs are located on the 210-7156-1 Power Supply Regulator board. To check out and/or adjust DC voltages in the 2246R Remote Workstation, proceed as follows:

- a. Turn off 2246R Remote Workstation power.
- b. If voltage check is to be followed by adjustment of video display parameters, as per paragraph 10.3, use a greasepencil or any nonindelible marker to outline the perimeter of the CRT viewing-area aperture in the workstation cover directly on the CRT screen (refer to Figure 10-3).
- c. Remove workstation main cover (refer to paragraph 3.2).
- d. Turn workstation power back on.
- e. Using a VTVM, check the following voltages:

- +5.0V (+0.1V) At pin B of connector 2 on 210-7478 TC/Memory board (see Figure 10-1). If measurement does not fall within range from +4.9V through +5.1V, adjust potentiometer R5 on 210-7156 Power Supply Regulators board (refer to Figure 10-2) to bring measurement within $\pm 5.0V \pm 0.1V$ limits.
- 5.0V (+0.1V) At pin A of connector 3 on 210-7478 TC/Memory board (see Figure 10-1). If measurement does not fall within range from -4.9V through -5.1V, adjust potentiometer R35 on 210-7156 Power Supply Regulators board (refer to Figure 10-2) to bring measurement within $-5.0V \pm 0.1V$ limits.
- +12.0V (+0.1V) At pin S of connector 2 on 210-7478 TC/Memory board (see Figure 10-1). If measurement does not fall within range from +11.9V through +12.1V, adjust potentiometer R16 on 210-7156 Power Supply Regulators board (refer to Figure 10-2) to bring measurement within $+12.0V \pm 0.1V$ limits.
- 12.0V (+0.1V) At pin Z of connector 3 on 210-7478 TC/Memory board (see Figure 10-1): If measurement does not fall within range from -11.9V through -12.1V, adjust potentiometer R24 on 210-7156 Power Supply Regulators board (refer to Figure 10-2) to bring measurement within $-12.0V \pm 0.1V$ limits.
- +0V (+0.1V) At pin A of connector 2 on 210-7478 TC/Memory board (see Figure 10-1). If measurement does not fall within range from -0.1V through +0.1V, troubleshoot power supply system. (There is no adjustment for the $+0.0V \pm 0.1V$ voltage-return line.)
- +18.0V (+0.1V) At common D1/D3 cathode connection on 210-7156 Power Supply Regulators board (refer to Figure 10-2). If

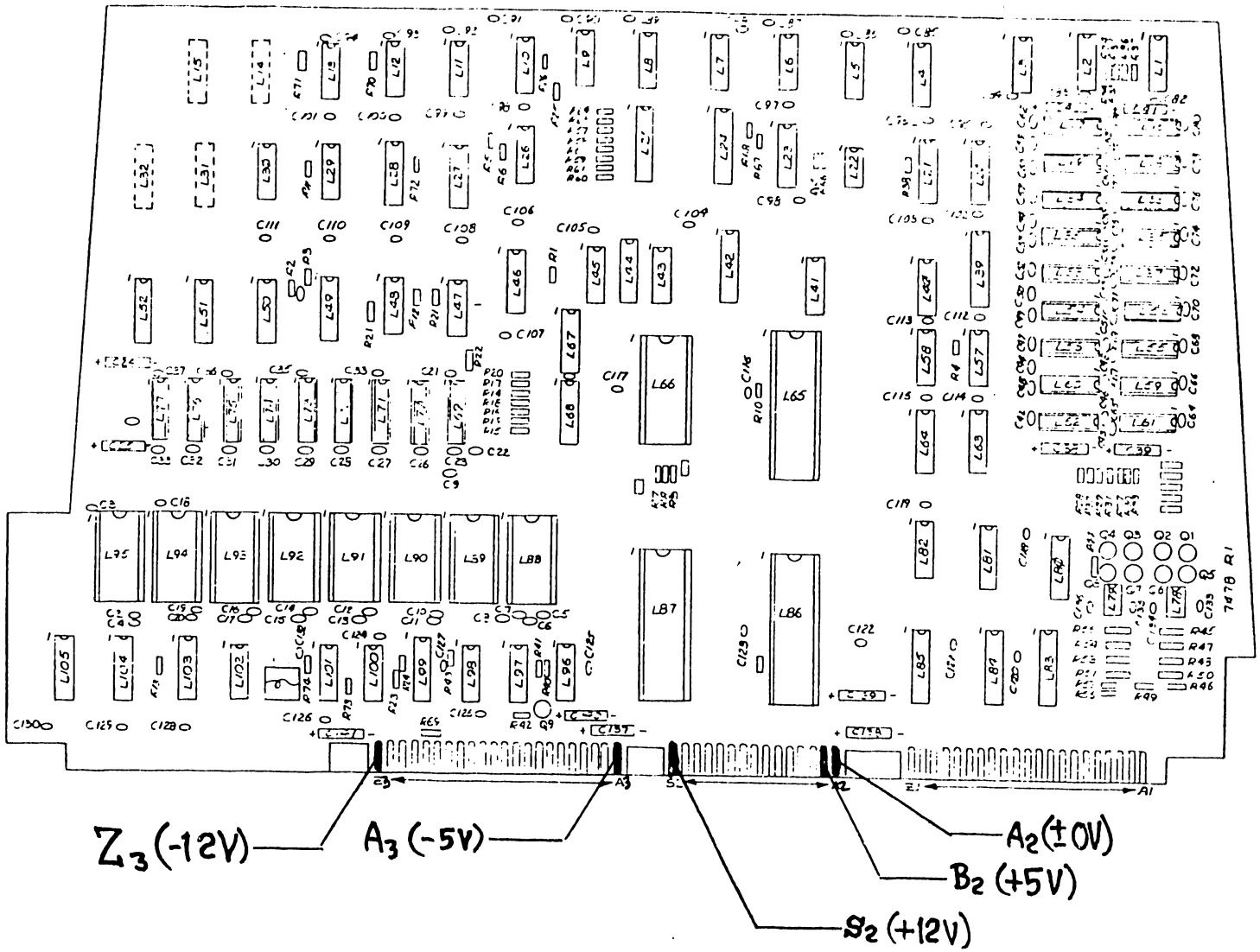


Figure 10-1 Test Points on 210-7478 TC/Memory Board

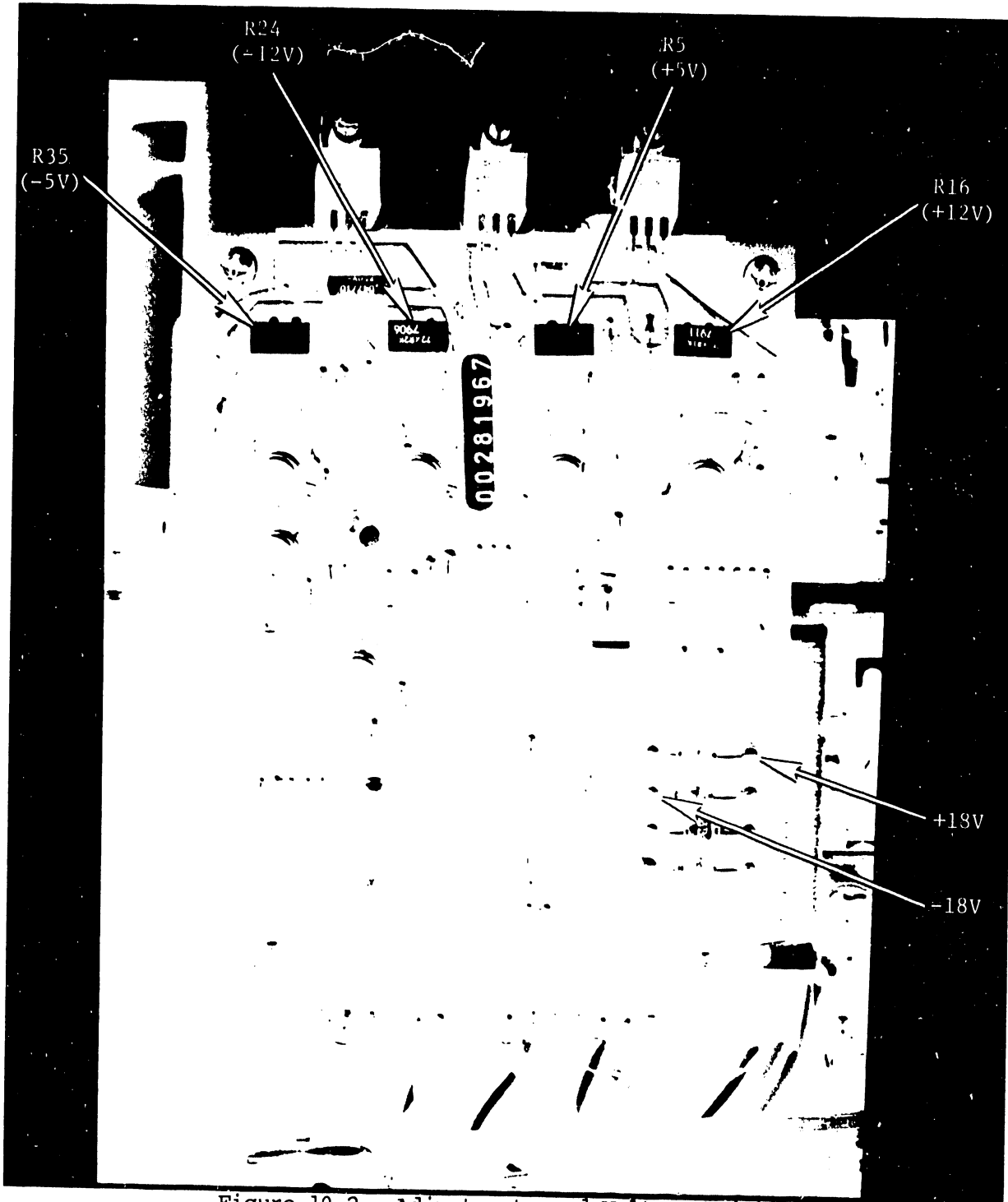


Figure 10-2. Adjustments and Voltage Points on
210-7156 Power Supply Regulators Board

measurement does not fall within range from +17.9V through +18.1V, troubleshoot power supply system. (There is no adjustment for the +18.0V \pm 0.1V voltage.)

-18.0V (\pm 0.1V) At common D2/D4 anode connection on 21Q-7156 Power Supply Regulators board (refer to Figure 10-2). If measurement does not fall within range from -17.9V through -18.1V, troubleshoot power supply system. (There is no adjustment for the -18.0V \pm 0.1V voltage.)

10.3 VIDEO DISPLAY ADJUSTMENTS

To check out and/or adjust video display parameters, confirm that all DC voltages are within specification, as per paragraph 10.2 and then check each adjustment setting described in the following subparagraphs.

10.3.1 BRIGHTNESS AND CONTRAST ADJUSTMENTS

Perform the turn-on procedure of Section 6 of this document to initialize the 2246R Remote Workstation and obtain a video raster on the CRT screen, together with the VS LOGIN presentation. Monitoring that presentation, adjust the front-panel BRIGHTNESS and CONTRAST controls as applicable to obtain a desirable operator-viewing intensity (refer to Figure 10-3).

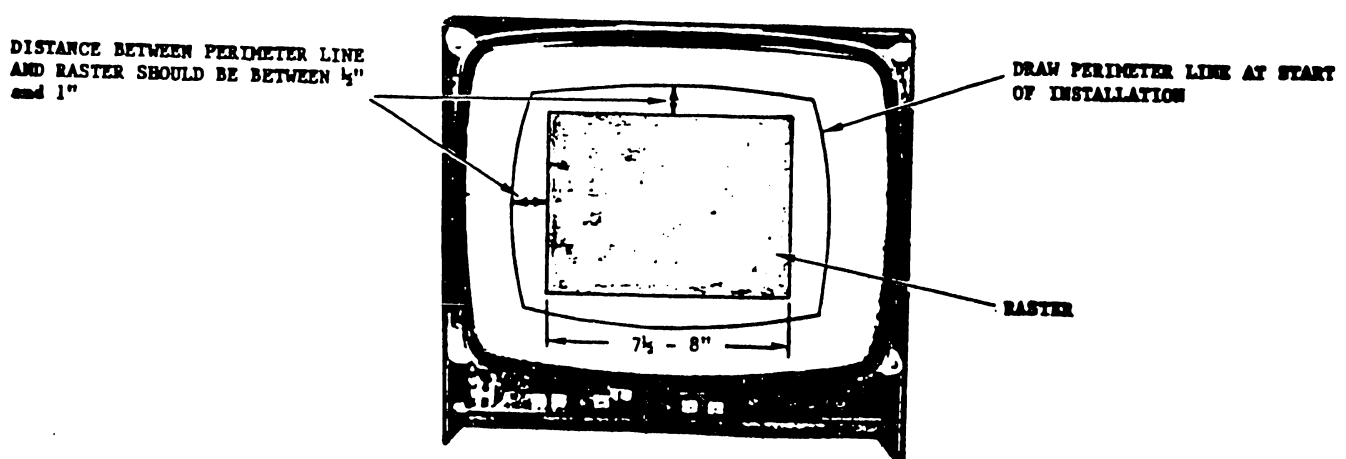


Figure 10-3. Relationships Between Display Raster Position and CRT Screen Viewing-Area Aperture

10.3.2 VERTICAL LINEARITY ADJUSTMENT

Confirm that the LOGIN (or other menu, as desired) presentation shows rows of equal-height characters. If the rows are uneven, adjust vertical-linearity potentiometer R18 on the 210-7456 CRT Monitor Electronics board (refer to Figure 10-4) to bring vertical linearity within adjustment.

10.3.3 VERTICAL SIZE ADJUSTMENT

Confirm that the distance between the top edge of the CRT raster and the test-setup perimeter line drawn on the CRT screen (as drawn prior to removal of main cover assembly, per paragraph 10.2.b) measures within range from 1/2" through 1" (refer to Figure 10-3). If the given presentation does not fall within this range, adjust vertical-size potentiometer R24 on the 210-7456 CRT Monitor Electronics board for compliance with $3/4" \pm 1/4"$ specification limits.

10.3.4 HORIZONTAL WIDTH ADJUSTMENT

Confirm that the horizontal width of the CRT raster measures within the range from 7-1/2" through 8", with a space of $3/4" \pm 1/4"$ between each end of that horizontal distance and the test-setup perimeter line drawn on the CRT screen (refer to Figure 10-3). If the given presentation does not fall within these ranges, adjust width coil Z2 on the 210-7456 CRT Monitor Electronics board for compliance with these $7-3/4" \pm 1/4"$ width and $3/4" \pm 1/4"$ spacing specification limits.

10.3.5 HORIZONTAL PHASING CHECK

Confirm that the letters displayed in the existing menu presentation are horizontally aligned within the CRT displays raster. If not, adjust horizontal phase potentiometer R35 on the 210-7156 CRT Monitor Electronics board to center the character set horizontally.

10.3.6 FOCUS

Adjust focus potentiometer R28 on the 210-7156 CRT Monitor Electronics board for operator's preference of best overall focus.

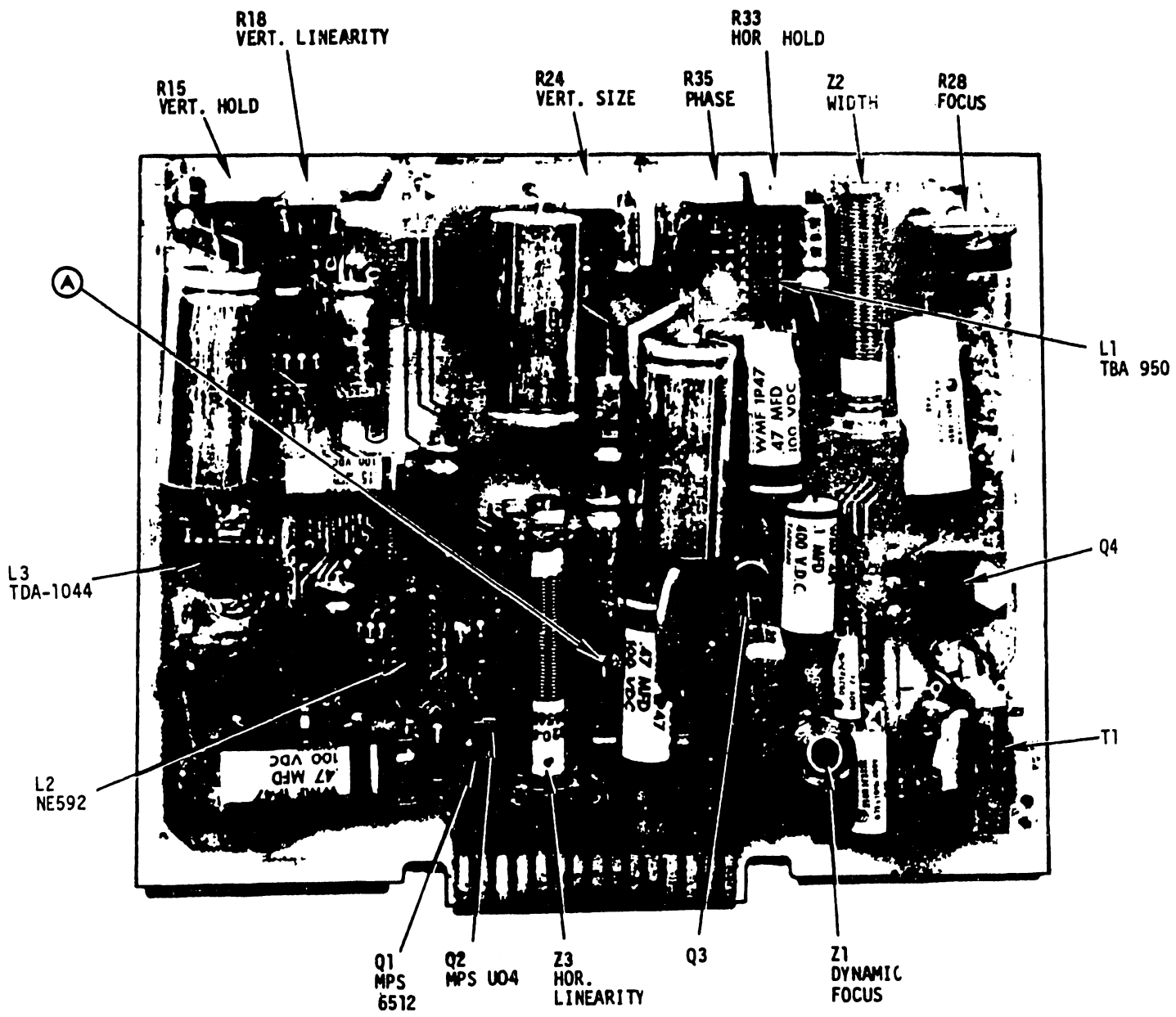


Figure 10-4. Adjustments on 210-7456 CRT Monitor Electronics Board

Following completion of the preceding adjustments, turn off workstation power, clean the CRT display screen with a very mild detergent and a soft cloth to remove the greasencil/ink markings, and then reinstall the main cover on the workstation unit.

10.4 IC VOLTAGE TEST POINTS

Table 10-1 delineates input-voltage pins for all IC's used in the telecommunications system circuits.

Table 10-1. Power-Supply Voltage Pins for Telecommunications System IC's

ASSOCIATED IC PINS \ POWER SUPPLY OUTPUTS	-12V	-5V	+0V	+5V	+12V
LS04, S04, LS08, LS32, LS74, 125, LS280	---	---	7	14	---
LS75, LS138, LS139, LS157, LS194, LS368, LS367	---	---	8	16	---
LSS240, LS244, LS245, LS373	---	---	10	20	---
Z80 CPU	---	---	29	11	---
Z80 CTC	---	---	5	24	---
Z80 SIO	---	---	31	9	---
8257 DMA	---	---	20	31	---
2716 EPROM	---	21	12	24	19
4116 RAM	---	1	16	9	8
75150	5	---	4	---	8
75154	---	---	8	15	---

10.5 SELECTOR SWITCH SETTINGS

Each of the two large logic cards mounted behind the CRT subassembly on the 2246R Remote Workstation contains digital-logic switch circuits. The foremost 210-7479 Workstation CPU board, mounted in the motherboard CRT/CPU slot, contains a single switchbank, containing a set of eight switches. These switches perform no software-supported function at the present time, but their data outputs can be read by the Workstation CPU logic and may at some future time have meanings assigned to them. Until further notice, all eight switches should be left in their factory-set OFF position.

The rearmost 210-7478 TC/Memory board, mounted in the motherboard MEM/DL slot, has two switchbanks. One switchbank set, mounted in location L22, contains five switches, labeled S1 through S5. Switch S5 currently is not used. Switches S1 through S4 are designed to provide a device-type identification code, with switch S1 being the least-significant bit and switch S4 being the most-significant bit. For the single-site configuration currently being supported, all five switches should be left in their factory-set OFF position. While the device-type code provided by these switches becomes part of a power-turnon message, the current DLP firmware does not send power-turnon messages to the host computer. (An equivalent effect is obtained, however, because the 22V06 TC IOP logic recognizes the establishment of communications with the Remote Workstation and subsequently notifies the VS CPU that the particular DLP controller -- and associated device(s) -- has become powered.)

The other switchbank set on the TC/Memory board is an 8-pole switchbank in location L44. In normal operation, switches S1 through S5 of this switchbank provide the remote address selection used by the VS CPU to identify the given Remote Workstation, with switch S1 representing the least-significant bit and switch S5 representing the most-significant bit, and switches S6 through S8 are not used. During performance of the Diagnostics Test program, these same switches identify which test modules are to be performed (for further details, refer to Section 8). For the single-site configuration currently being supported, all eight switches should be left in their factory-set OFF position during normal operation -- and should be returned to the OFF positions following any Diagnostics Test exercises.

SECTION

11

**TROUBLE-
SHOOTING**

SECTION 11
TROUBLESHOOTING

11.1 GENERAL

This section provides information useful for isolating failure conditions associated with the Telecommunications System. The information includes a description of the ITS 1 EIA Interface Test Set and a discussion of general telecommunications troubleshooting, together with a detailed troubleshooting checklist and a full description of RS-232-C interface/control signals. The section also includes detailed self-test procedures for the Bell 201C and 208B Data Sets (the most common data sets to be found in the field).

11.2 ITS 1 EIA INTERFACE TEST SET

The ITS 1 EIA Interface Test Set is a self-contained pocket-sized test set that can be used for checkout of Data Communication Equipment (DCE), or modem, and Data Terminal Equipment (DTE) -- i.e., a 2246R Remote Workstation. As illustrated in Figure 11-1, the ITS 1 test set can be connected (1) to the DCE to simulate a DTE, (2) to the DTE to simulate a modem, or (3) between the DCE (modem) and the DTE (workstation) to monitor their operating communications lines. The ITS 1 test set thus permits the user to test and/or monitor the EIA RS-232 signals and hence to isolate and identify sources of trouble. Table 11-1 delineates the basic specifications of the test set.

The ITS 1 test set contains nine indicators that continuously monitor the level of nine RS-232-C interface signals: TRANSMITTED DATA, RECEIVED DATA, REQUEST TO SEND, CLEAR TO SEND, DATA SET READY, RECEIVED CARRIER DETECT, DATA TERMINAL READY, SIGNAL QUALITY DETECT, and RING INDICATOR. Two other indicators monitor the TRANSMIT CLOCK and RECEIVE CLOCK signals; unlike the nine levels indicators, however, these two indicators do not respond when only a DC

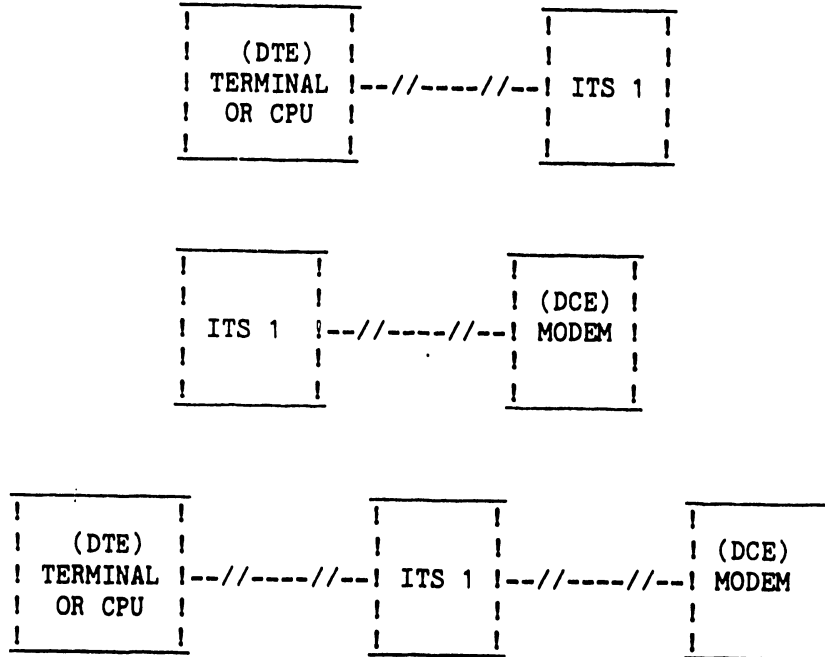


Figure 11-1. Typical ITS 1 Test Setup Applications

Table 11-1. Basic Specifications of the ITS 1 EIA Interface Test Set

<u>Level Indicators</u>	<u>Activity Indicators</u>TRANSMIT CLOCK RECEIVE CLOCK
TRANSMITTED DATA	
RECEIVED DATA	
REQUEST-TO-SEND	<u>Indicator Thresholds</u>+3 volts
CLEAR-TO-SEND	
DATA SET READY	<u>Indicator Input Impedance</u>30,000 ohms
RECEIVED CARRIER DETECT	<u>Power</u>Two 1.5V AA Batteries
DATA TERMINAL READY	<u>Dimensions</u>5.5"l x 3.6"w x 1.6"h
SIGNAL QUALITY DETECT	
RING INDICATOR	<u>Weight</u>12 oz.
POSITIVE TEST	
NEGATIVE TEST	

level is present but instead turn on only when an active clock signal is present. Finally, two additional, uncommitted indicators are available for monitoring either positive or negative levels on any of the interface lines.

The ITS 1 test set contains 24 on/off toggle switches, which allow any of the interface signals except line 1 (FRAME GROUND) to be interrupted. These switches are physically located in the center of the front panel, functionally dividing the test set into two halves. The upper half contains a cable and connector for connecting the test set to the DCE (modem). The indicators that monitor signals originating from the modem are also located on the upper half of the front panel.

The lower half of the test set's front panel contains a connector to which the DTE (terminal or CPU) can be connected, together with indicators that monitor signals originating from the DTE. All indicators are labeled with both the standard EIA designation and the commonly used abbreviations. The lower half of the panel also contains positive and negative test indicators. Finally, the test set's front panel also contains two sets of 25 jumperconnection pins, one set located above the center bank of switches, and the other set located below those switches. These pins permit monitoring of any of the interface lines with either or both of the positive and negative test indicators, using jumpers supplied or using a probe with an external meter or oscilloscope. Both sets of pins are arranged in the same configuration and order as the pins in a standard EIA RS-232 female connector.

The ITS 1 test set is housed in a sturdy plastic case with aluminum extrusions and a hinge. A positive latch is provided on the cover to keep the test set securely closed when not in use. The test set is self-contained and is powered by two penlite batteries, which provide over 100 hours of continuous operation.

11.3 GENERAL TELECOMMUNICATIONS SYSTEM TROUBLESHOOTING HINTS

Troubleshooting the telecommunications system is a complex task involving many factors and components, including telephone lines, modems, and host computers, any of which can cause a problem. But problems are not always due to hardware failures. For example, more than 70% of the problems encountered

during telecommunications system installations are caused by insufficient information for sign-on procedure, wrong modem options, or inadequate knowledge of operating procedures.

11.3.1 TROUBLESHOOTING CHECKLIST

As a first-attack approach for any problem, proceed as follows:

- a. Check the entire remote workstation by running all available diagnostics tests and checking all voltages.
- b. Check the telecommunications processor for correct addressing.
- c. Visually inspect the cards for any broken components, shorted etches, etc. Make sure the cards are seated properly in connectors.
- d. Run the off-line Diagnostic Test if available (refer to Section 8). Most of the hardware functions are checked by the Diagnostic Test.
- e. Check the telecommunications interconnection cable for any bad contacts. Do a continuity check on the cable from one end to the other end, making sure all the required signal wires are connected on both ends of the cable.
- f. Call the Telephone Data Service Center and have the modem checked. If possible, be present when the modem service representative arrives and show him the problem.
- g. Make sure the customer's host computer can support the Wang telecommunications system. If the host computer can support only single record blocks, for example, a change is required in the 2246R Remote Workstation controller's firmware to accommodate that host computer.
- h. Contact host computer data processing personnel to discuss sign-on procedures and/or the given problem. Almost all sign-on problems can be resolved this way. (If you know anyone else using the same host computer or a similar system, find out how he is using it.)

1. Most important of all, try to get help from your Area Office, the program analyst, or the Home Office, as applicable.

11.3.2 CHECKOUT OF MODEM CONTROL SIGNALS

If the modem is suspected of causing trouble, set the modem in the "Data" mode and then use an oscilloscope to check the RS-232-C control signals, as detailed in the following steps. To obtain access to these interface signals, either mount the 210-7478 TC/Memory board on a card extender or install the previously discussed ITS 1 EIA Interface Test Set. Signal pin numbers given in these steps refer to the standard 25-pin Cannon connector.

NOTE

Pins 1 and 7 are chassis ground and reference ground, respectively. Before examining any true interface signals, check for any noise on the ground circuit.

- a. Pin 2 -- TRANSMITTED DATA (to data set).

Data signals on this line are generated by the data terminal equipment (DTE) -- i.e., the 2246R Remote Workstation. Check to confirm whether the terminal is transmitting data when in the transmit mode. The data terminal will not transmit data unless the CLEAR-TO-SEND signal is on (+3V to +25V on pin 5) while both the DATA TERMINAL READY signal is on (+3V to +25V on pin 20) and the DATA SET TERMINAL READY signal is on (+3V to +25V on pin 6).

- b. Pin 3 -- RECEIVED DATA (from data set).

Data signals on this line are generated by the receiving data set in response to data signals from a remote data set. This line is always held in the mark state (-3V to -25V) when the RECEIVED LINE SIGNAL DETECTOR signal is off (-3V to -25V at pin 8).

- c. Pin 4 -- REQUEST-TO-SEND (to data set).

The data terminal activates an on signal (+3V to +25V) on this line whenever that terminal intends to transmit data. After turning this signal on, the data terminal must wait for the CLEAR-TO-SEND signal to go on (+3V to +25V on pin 5) before starting data transmission.

- d. Pin 5 -- CLEAR-TO-SEND (from data set).

This signal is generated by the data set to indicate whether or not the data set is ready to transmit data. This circuit is turned on (+3V to +25V) in response to an active REQUEST-TO-SEND signal (+3V to +25V on pin 4), with this response being delayed approximately 50 ms to 200 ms (depending on type of modem and customer options selected).

- e. Pin 6 -- DATA SET READY (from data set).

An on condition (+3V to +25V) on this line indicates that the data set is in its "Data" mode and is capable of receiving and transmitting data. The DATA TERMINAL READY signal must be on (+3V to +25V on pin 20) during Data-mode operation. An off condition (-3V to -25V) on this pin indicates that the data set is in one of its "Talk" or "Test" or "On-Hook" modes.

- f. Pin 8 -- RECEIVED LINE SIGNAL DETECTOR (carrier) (from data set).

An on condition (+3V to +25V) on this line indicates the presence of a data carrier signal above the receiver threshold for a period of at least 47+3 ms. This signal is on during "Receive" mode operation and will turn off (-3V to -25V) to disable the receiver when the data terminal is in its "Transmit" mode or whenever the REQUEST-TO-SEND signal is turned on (+3V to +25V on pin 4).

- g. Pin 15 -- TRANSMITTER SIGNAL ELEMENT TIMING (from data set).

The data set presents square-wave signals on this line at 2000 Hz (for 2000 baud modem), or 2400 Hz (for 2400 baud modem), or 4800 Hz (for 4800 baud modem) to provide the DTE (i.e., the Remote Workstation) with signal-element timing information for the transmitted data circuit. A timing signal will be present on this line at all times while data set power is on.

- h. Pin 17 -- RECEIVER SIGNAL ELEMENT TIMING (from data set).

The data set presents square-wave signals on this line at 2000 Hz (2000 baud modem), or 2400 Hz (2400 baud modem), or 4800 Hz (4800 baud modem) to provide the DTE with receiver signal-element timing information. The transition from on to off normally indicates the center of each signal element on the received-data circuit. For 201A and 201C data sets, a timing signal will be present on this circuit while the carrier (RECEIVED LINE SIGNAL DETECTOR) is on (+3V to +25V on pin 8).

- i. Pin 20 -- DATA TERMINAL READY (to data set).

The data terminal must present an on condition (+3V to +25V) on this line at all times to go into the "Data" mode. An off signal (-3V to -25V) on this line will not allow data set to go into the "Data" mode. If an off condition (-3V to -25V) appears on this line during data transmission or reception, the data set will drop the communication line, terminating the inprocess data exchange.

11.4 MODEM SELF-TESTS

Several manufacturers, including Bell Telephone, build a loopback test or other self-test capabilities into their modems. Before calling the local Telephone Company or other manufacturer personnel about any problem(s), use these self-test features to check modem operation. The following paragraphs give self-test instructions for the Bell 201C and 208B data sets. For other data set models, refer to test procedures given in the modem operating manual.

11.4.1 DATA SET 201C SELF-TESTS

11.4.1.1 201C Data Set Switch Buttons

The front panel of the 201C data set contains five switch buttons. The functions of these switch buttons are as follows:

1. RO (Receive Only) - Depression of this switch button conditions the data set such that it acts locally as a receiver (used for testing, only).
2. AL (Analog Loopback) - Depression of this switch button connects the output of the local transmitter to the input of the local receiver.
3. ST (Self Test) - Depression of this switch button causes the data set transmitter to turn on and transmit a fixed pattern.
4. RT (Remote Test) - Depression of this switch button conditions the data set such that it can be tested remotely from a Telephone Company Data Test Center (DTC).
5. DL (Digital Loopback) - Depression of this switch button enables digital loopback testing on a 4-wire data set.

11.4.1.2 201C Data Set Status Indicators

The data set's front panel contains eight status indicators. Each indicator lights a portion of the front panel to show the name of the control line being monitored. The indicators and their functions are as follows:

1. ON indicator - Lights when the power cord is plugged into an appropriate ac-power source, providing from 105 volts through 130 volts.
2. TR (Terminal Ready) - Monitors the status of the DATA TERMINAL READY signal on the customer interface. When this indicator is lit, the DATA TERMINAL READY line is in the on condition, telling the data set that the terminal is ready for data communication.

3. MR (Modem Ready) - Monitors the status of the DATA SET READY signal on the customer interface. When this indicator is lit, the DATA SET READY line is in the on condition and the DCE (i.e., modem) is ready for data communication.
4. RS (Request-To-Send) - Monitors the status of the REQUEST-TO-SEND signal on the customer interface or from the internal circuits which check the data set. When this indicator is lit, the REQUEST-TO-SEND line is in the on condition, telling the data set to become conditioned to transmit data. In normal operation, when the CO indicator is on, the RS indicator will be off regardless of the status of the RS signal at the customer interface.
5. CS (Clear-to-Send) - Monitors the status of the CLEAR-TO-SEND signal on the customer interface during both normal and test modes of operation. When this indicator is lit, the CLEAR-TO-SEND line is in the on condition and the data set is ready to transmit data.
6. CO (Carrier On) - Monitors the status of the CARRIER ON signal on the customer interface during both normal and test modes of operation. This indicator lights while a signal is being received by the data set.
7. MC (Modem Check) - Indicates the absence or presence of the RECEIVER SIGNAL ELEMENT TIMING signal (pin 17) at the customer interface. In normal operation, this indicator lights while the CO indicator is off. The indicator goes off when the CO indicator and the RECEIVED LINE SIGNAL DETECTOR (carrier) signal (pin 8) are on. When using the self-test feature, this MC indicator lights whenever CO is off. When CO is on during self-test, however, this MC indicator flashes on whenever an error occurs on the RECEIVED DATA line.
8. TM (Test Mode) - Lights when the data set is placed in the test mode by use of the AL, ST, RT or DL test switches.

11.4.2 DATAPHONE TESTING WITH THE 201C DATA SET

Perform an analog loopback self-test, as described in the following subparagraph, with a 201C data set at each end of the loop. If either data set fails, replace it with one known to be operating correctly.

If both data sets pass the analog loopback self-test, perform the end-to-end self-test (2-wire sets), as described below.

11.4.2.1 201C Data Set Analog Loopback Self-Test (2-Wire or 4-Wire Data Sets)

NOTE

If the specified results are not obtained in any test condition, the data set has failed the Analog Loopback Self-Test.

1. Depress the AL and ST switch buttons.

Requirement: All indicators except the MC indicator must become lit during a 30-second interval. If the MC indicator blinks (or remains on) or if any of the other indicators go out, the data set is defective and should be replaced.

2. Depress the RO switch button.

Requirement: The RS and CS indicators must go out, and the MC indicator must light. If the data set is optioned for switched carrier operation (options XA, XD, or XE), the CO indicator also must go out.

3. Return the data set to normal operation by depressing the RO, ST, and AL switch buttons.

Requirement: The switch buttons must return to the off position and the TM indicator must go out.

11.4.2.2 201C Data Set End-to-End Self-Test (2-Wire Data Set)

NOTE

If the specified results are not obtained in any test condition, the data set has failed the End-to-End Self-Test.

1. Depress ST switch button at both ends.

Requirement: The TM indicator must light.

2. Depress RO switch button at the receive end.
3. Establish a line connection.

Requirement: At the transmit end, all indicators except the CO indicator must become lit. At the receive end, all indicators except the RS, CS, and MC indicators must become lit. If the MC indicator blinks an average of more than twice per minute or remains steadily on, the source of trouble is either the data set or the associated telephone facilities.

4. Repeat the test in the opposite direction by releasing the RO switch button at one end of the loop and depressing the RO switch button at the other end, and confirm that the same results are obtained with respect to the new transmit/receive orientation.
5. Return to the "Pretest" mode by releasing the ST switch buttons at both ends of the loop and releasing the RO switch button at the receive end.

Requirement: The TM indicator must go off.

11.4.3 DATA SET 208B SELF-TESTS

11.4.3.1 208B Data Set Switch Buttons

The front panel of the 208B data set contains six switch buttons. All of these except one, the LP button, are push-to-operate/push-to-release type. The functions of these switch buttons are as follows:

1. LP (Lamp Test) - Depression of this switch button lights all lamps except the ON lamp (which is normally lit while power is applied to the data set). This switch button is used to determine whether all status lamps are functional; its use does not affect other data set operations.
2. AL (Analog Loopback) - Depression of this switch button connects the output of the local transmitter to the input of the local receiver. This action prevents the data set from entering the Data mode from the Talk mode or upon automatic answer. While the Talk mode is not inhibited and calls can be made with the telephone set, any attempt to transfer to the Data mode will result in the line becoming disconnected if the AL button is depressed.
3. ST (Self Test) - Depression of this switch button causes the data set transmitter to turn on and then transmit a fixed pattern. The receiver is conditioned to look for this pattern and to then generate a signal causing the ER lamp to flash if an error is detected.
4. RO (Receive Only) - Depression of this switch button conditions the data set as a local receiver. When depressed, the switch button internally conditions the REQUEST-TO-SEND signal to off, regardless of the state of the REQUEST-TO-SEND signal from the terminal equipment or from other test buttons.
5. RT (Remote Test) - Depression of this switch button conditions the data set such that it can be tested remotely from a Telephone Company Data Test Center (DTC).

6. 50 Button - Depression of this switch button establishes a 50-millisecond delay interval for the REQUEST-TO-SEND/CLEAR-TO-SEND sequence (while the button is held depressed). When the button is released, the REQUEST-TO-SEND/CLEAR-TO-SEND interval is 150 milliseconds. The 50-millisecond REQUEST-TO-SEND/CLEAR-TO-SEND interval (button depressed) can be used in most cases. The 150-ms REQUEST-TO-SEND/CLEAR-TO-SEND interval (button released) is provided to ensure terminal compatibility with various systems and for applications in which the channel delay exceeds the length of the transmitted signal. (NOTE: If the terminal equipment exhibits frequent time-outs, the 150-millisecond REQUEST-TO-SEND/ CLEAR-TO SEND interval might correct the condition.)

11.4.3.2 208B Data Set Status Indicators

The data set's front panel contains seven status indicators. Each indicator lights a portion of the front panel to show the name of the control line being monitored. The indicators and their functions are as follows:

1. ON indicator - Lights when the power cord is plugged into an appropriate ac-power source, providing from 105 volts through 130 volts.
2. TR (Terminal Ready) - Monitors the status of the DATA TERMINAL READY signal on the customer interface. When this indicator is lit, the DATA TERMINAL READY line is in the on condition, telling the data set that the terminal (i.e., the Remote Workstation) is ready for data communication.
3. MR (Modem Ready) - Monitors the status of the DATA SET READY signal on the customer interface. When this indicator is lit, the DATA SET READY line is in the on condition and the DCE (i.e., modem) is ready for data communication.
4. RS (Request-To-Send) - Monitors the status of the REQUEST-TO-SEND signal on the customer interface or from the internal circuits which check the data set. When this indicator is lit, the REQUEST-TO-SEND

line is in the on condition, telling the data set to become conditioned to transmit data. In normal operation, when the CO indicator is on, the RS indicator will be off regardless of the status of the RS signal at the customer interface.

5. CS (Clear-to-Send) - Monitors the status of the CLEAR-TO-SEND signal on the customer interface during both normal and test modes of operation. When this indicator is lit, the CLEAR-TO-SEND line is in the on condition and the data set is ready to transmit data.
6. CO (Carrier On) - Monitors the status of the CARRIER ON signal on the customer interface during both normal and test modes of operation. This indicator lights while a signal is being received by the data set.
7. ER (Equalizer Retrain) - Monitors the status of the Automatic Retrain mode. If the CO indicator is lit, a blinking condition of this ER indicator shows that invalid data has been received and that the automatic equalizer is now retraining. A continuous blinking condition of this ER indicator while the CO indicator is lit signifies marginal performance. When the data set is in the ST mode, the ER indicator blinks when an error is detected in received data. For normal operation, the CO and ER indicators light alternately: the ER indicator should be lit when the CO indicator is off, and the ER indicator should be off when the CO indicator is lit. A steadily on ER indicator thus signifies an abnormal condition only when the CO indicator is also lit.

11.4.4 DATAPHONE TESTING WITH THE 208B TEST SET

In cases of suspected trouble, check out the data terminal equipment (i.e., the Remote Workstation), and then perform the Lamp Check, the Analog Loopback Test, and then the End-to-End Self-Test before calling the Telephone Company to report trouble. Report the trouble to the Telephone Company only if these checks indicate trouble in equipment provided by the Telephone Company.

In addition to the following tests, Telephone Company DTC personnel may request further assistance in trouble isolation by use of built-in features.

11.4.4.1 208B Data Set Lamp Test

Depress the LP nonlocking switch button. All the indicators on the data set should light. (Since it does not affect normal data set operation, the LP switch button can be depressed at any time.)

11.4.4.2 208B Data Set Analog Loopback Self-Test

To analyze the data set without using external equipment, proceed as follows:

NOTE

If the specified results are not obtained in any test condition, the data set has failed the Analog Loopback Self-Test.

1. Check that the data set is idle and that power is applied.
2. Depress the AL and ST switch buttons.

Requirement: The ON, RS, CS, and CO indicators must remain or become lit, and the ER and MR indicators must remain or become off (disregard the status of the TR indicator).

3. Observe the ER indicator for 30 seconds.

Requirement: The ER indicator must not light or blink within this 30-second period.

4. Depress the AL and ST switch buttons.

Requirement: The data set must return to its normal operating condition.

NOTE

The data set's power supply is equipped with an over-voltage protection circuit, which crowbars the output voltage whenever an excessive-voltage condition occurs. Such an event automatically causes the data set to fail the Analog Loopback Self-Test. To reset the power supply, unplug the data set's power cord and then replug it into the ac-power outlet. If the data set still fails the Analog Loopback Self Test, notify the Telephone Company Repair Service for correction of the problem.

11.4.4.3 208B Data Set End-to-End Self Test

To test both far-end and near-end data sets, together with the telephone channel between the two sets, proceed as follows:

NOTE

If specified results are not obtained for any test condition, the system has failed the End-to-End Self-Test procedure.

1. Place a call to the far-end data set and arrange to perform the End-to-End Self Test. Discuss the duration of the test (at least five minutes) and when to return to the Talk mode. Request the far-end operator to check the following indicator conditions after the far-end data set has been transferred to the Data mode: ON, RS, CS, and ER indicators must be on; MR and CO indicators must be off (the status of the TR indicator can be disregarded).
2. Request the far-end operator to depress both the ST switch button on the data set and the DATA switch button on the telephone set, thereby transferring the far-end data set is now transferred to the data mode.
3. Depress the ST and RO switch buttons on your data set, and then depress the DATA button on the telephone set, thereby transferring your data set to the Data mode and enabling it to received data.

Requirement: The ON and CO indicators on at your data set should light or remain lit, and its RS, CS, MR, and ER indicators should go or remain off (disregard status of the TR indicator).

4. Observe the ER indicator for a 5-minute period.

Requirement: The ER indicator should remain off and should not blink more than an average of three times in any 1-minute period.

5. After the prearranged time interval has passed, return to the Talk mode and discuss the results of the test with personnel at the far-end data set to confirm whether appropriate conditions were observed at the far-end data set.
6. Inform the far-end operator that you now intend to repeat the test in the opposite direction by releasing the RO switch button on your data set and depressing the DATA switch button on the associated telephone set, while the far-end operator must depress the RO button on that data set and depress the DATA switch button on its associated telephone set. Before initiating this reversal, request the far-end operator to confirm the following indicator results after both data sets have been transferred to the Data mode: ON and CO indicators must light or remain lit; RS, CS, MR, and ER indicators remain or go off (status of the TR indicator can be disregard).
7. Release the RO switch button on the data set and depress the DATA switch button on the telephone set.

Requirement: The ON, RS, CS, and ER indicators on your data set must remain or become lit, and the MR and CO indicators must remain or go off (disregard status of the TR indicator).

8. Observe the ER indicator for a 5-minute period.

Requirement: The ER indicator should remain off and should not blink more than an average of three times in any 1-minute period.

9. After the prearranged time interval has passed, return to the Talk mode and discuss the results of the test with personnel at the far-end data set to confirm whether appropriate conditions were observed at the far-end data set.

10. Return the data sets to normal operation as follows:
 - a. Release the ST switch button at your data set, returning the data set to normal operation.

 - b. Request the far-end personnel to release the ST and RO switch buttons, returning the far-end data set to normal operation.

NOTE

If tests fail, repeat the test with a new connection before reporting trouble.

SECTION

12

REPAIR /

REPLACEMENT

PROCEDURES

SECTION 12
REPAIR/REPLACEMENT PROCEDURES

12.1 GENERAL

TO BE SUPPLIED

SECTION

13

DRAWINGS

SECTION 13
DRAWINGS

13.1 GENERAL

This section contains reduced reproductions of Engineering drawings providing circuit details and signal timing for the 2246R Remote Workstation electronics. The drawings are arranged in numerical sequence, as follows:

210-7156 Power Supply Regulator Board, Schematic Diagram.

210-7456/7456-1 CRT Monitor Board, Schematic Diagram (Including External Connections to CRT and Power Transformer).

210-7463 Bi-Sync Null Modem Board, Schematic Diagram.

210-7478 TC/Memory Board, Schematic Diagram (6 Sheets).

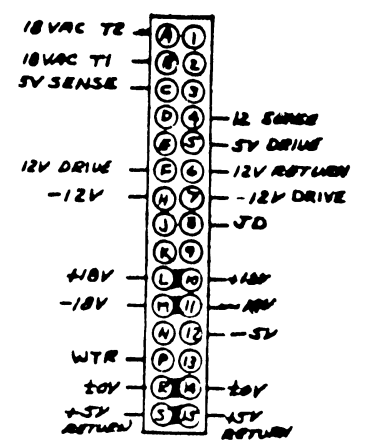
210-7479 Enhanced Workstation CPU Board, Schematic Diagram (5 Sheets).
(Not Available At Time of This Preliminary Publication Release)

THE INFORMATION CONTAINED IN THIS DRAWING IS THE PROPERTY OF WANG LABORATORIES, INC. AND IS CONFIDENTIAL AND PROPRIETARY TO WANG LABORATORIES, INC. IT MAY NOT BE COPIED, REPRODUCED OR USED IN WHOLE OR IN PART FOR ANY REASON.

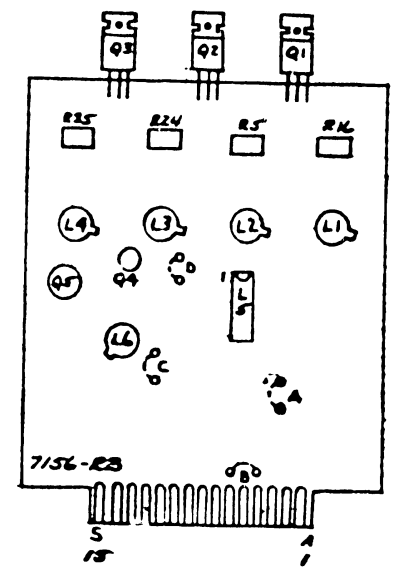
MILLIMETERS IN PARENTHESES. TOLERANCES TO BE CONFORMANT TO SUCH DIMENSIONS.

HOLE LEGEND & TOLERANCES	
SIZE	DESCRIPTION
Ø	
Ø	
Ø	
Ø	

COMPONENTS	W.L. PART NO.
C7	300-1826
C8, 12	300-1900
C3	300-4010
C9, 10	300-4032
C8, 11	300-1906
C1, 4, 13	300-1915
C14	300-2147
D1, 2, 3, 4	300-3008
D5, 7, 8, 9, 10, 11, 12	300-4001
D6	300-2129
R1, 2, 7, 8, 9, 15, 34	300-3008
R3, 11, 17, 18	330-3033
R4, 39	330-2068
R5, 16	336-1014
R6, 13, 24, 30	330-3045
R10	330-3010
R14	334-0032
R18, 20, 31	330-5013
R22	330-1027
R24, 25	336-1021
R25	330-3022
R28	330-2018



COMPONENT	W.L. PART NO.
R29	334-0033
R30	330-2003
R32	334-0003
R27	330-4033
R37	337-2039
Q2	375-1052
Q3	375-1053
Q4	375-1017
Q5	375-1024
R23	333-0093
R38	330-2027
R40, 42	330-5010
R41	330-2012
R33	330-0027



COMPONENT	W.L. PART NO.
R19	330-3003
R21	330-3011

LOCATION	W.L. PT. NO.	VCC	GND
L1, 2	376-0066	-	5
L3, 4	376-0134	-	9
L5	376-0240	-	-
L6	376-0074	-	-

VARIATION CHART						
	Q1	D1, D3	C', D'	C5		A, B
7156	375-1052	IN	IN	10-4F		IN
7156-1	375-1035	OUT	IN	220-4F-300-4045		OUT
7156-2	375-1035	OUT	OUT	220-4F-300-4045		OUT

NOTE: FOR USE WITH WANG MONITOR, REMOVE JUMPERS 'A', 'B' AND DIODES 1Q3.

PRELIMINARY

PRELIMINARY

REV	DATE	BY	DESCRIPTION
1	6-26-77
2	7-14-77
3	10-10-77
4	9-28-77
5	7-6-78

QTY	ITEM	WANG PART NO.	DESCRIPTION

BY	DATE	APPROVED BY	DATE
OWN EBA	7-77	ENGR JTT	
CHK		M ENGR	
		MFG ENGR	

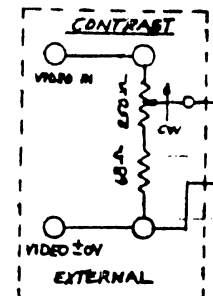
MODEL NO.	TITLE	SCALE	DATE
929, 22005, 2210, 2236	PS REGULATOR WITH FOLD BACK	1:1	7/56

THE INFORMATION CONTAINED IN THIS DRAWING IS THE PROPERTY OF WANG LABORATORIES, INC. AND IS CONFIDENTIAL AND PROPRIETARY TO WANG LABORATORIES, INC. IT IS NOT TO BE COPIED, REPRODUCED OR USED IN WHOLE OR IN PART FOR ANY REASON.

MILLIMETERS IN PARENTHESES. TOLERANCES TO BE EQUIVALENT TO INCH DIMENSIONS.

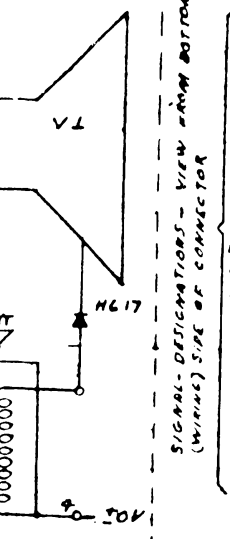
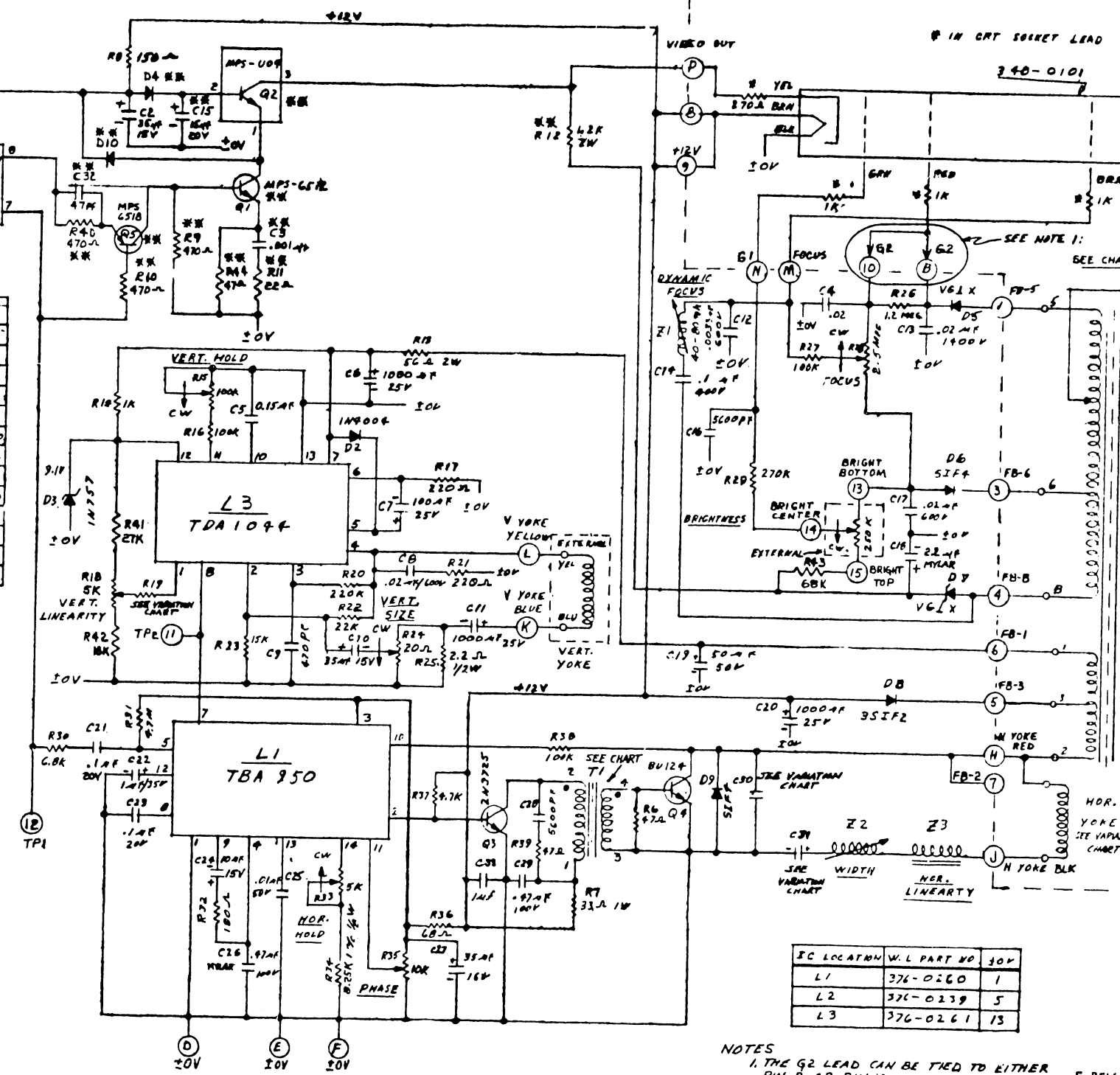
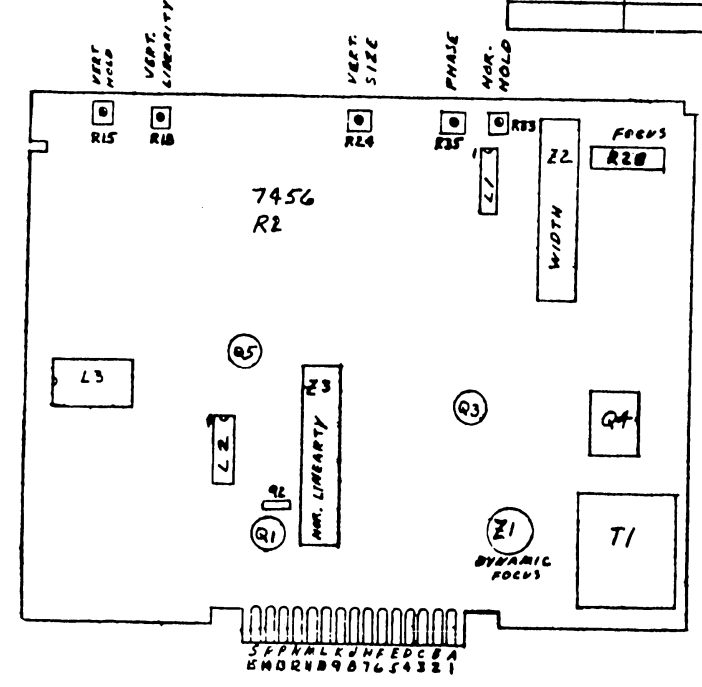
DO NOT SCALE

MILLI LEGEND & TOLERANCES		
UNIT	TOLERANCE	UNIT
INCH	.005	MM
INCH	.002	MM
INCH	.001	MM
INCH	.0005	MM
INCH	.0002	MM
INCH	.0001	MM



VARIATION CHART			
COMP	7456	7456-1	7456-2
R19	330-3068	330-4027	330-3068
C30	300-2412	300-2417	300-2412
C31	300-2413	300-2418	300-2413
Z2	320-0053	320-0056	320-0053
Z3	320-0051	320-0058	320-0051
HOR YOKE	320-0052	320-0057	320-0052
FLY-BACK	410-1007	410-1005	410-1007
R5	330-2068	330-2069	330-3068

COMPONENTS NOT LOADED FOR 7456-2	
REF	W.L. PART NO.
R9,10,40	330-2047
R1	331-2010
R11	330-1022
R12	337-3012
R44	330-1047
C3	300-1906
C15	300-4022
Q5	375-1014
Q2	375-1056
D4,10	380-1001
C32	300-1047
Q1	375-1012



COMP.	W.L. PART NO.
R2	330-3022
R3,37	330-3047
R4	330-3012
R14	330-3010
R6,39,44	330-1047
R8	330-2015
R3,10,40	330-2047
R12	337-3012
R13	337-1056
R15	336-1019
R16,17,38	330-5010
R25	300-4000
R17,21	330-2022
R1	331-2010
R30	330-3068
R20	330-5022
R11	330-1022
R22	330-4022
R23	330-4015
R24	336-1021
R26	331-0022
R26	330-6012
R28	330-0031
R29	330-5027
R31	330-6047
R32	320-2010
R18,33	336-1020
R34	333-0067
R35	330-1015
R25	330-1068
R7	332-1033
R41	330-4027
R42	330-4018
D7	380-2056
E2	380-4000
E3	380-2091
D7,7	380-3009
D6,9	380-3010
E8	380-3012
D4,10	380-1001
Z1	320-0054
R43	330-4068

COMP.	W.L. PART NO.
C1,2,4	300-3006
L2,10,27	300-3009
C2	300-1904
C7	300-1420
C12	300-6455
C6,29	300-2247
C14	300-2310
C10,16	300-1914
C9	300-3010
C2,23	300-3010
C22	300-4000
C25	300-4014
C18	300-2418
C4,17	300-1912
C5	300-2215
C4,11,20	300-3009
C1	300-3032
C11	300-1904
G1	375-1012
G2	375-1056
Z3	320-0057
Z4	320-0057
Z5	320-0057
C15	300-4022
T1	410-1006
C33	300-1901

IC LOCATION	W.L. PART NO.	10V
L1	376-0260	1
L2	376-0239	5
L3	376-0261	13

NOTES
1. THE G2 LEAD CAN BE TIED TO EITHER PIN B OR PIN 10 WHICH EVER GIVES BEST PERFORMANCE.

E-REV 7456
E-REV 7456-1
E-REV 7456-2
3 3 3

PRELIMINARY

REVISION	DATE	BY	DESCRIPTION
1	12-10-77	W.D.	REVISED PER ECN 1011
2	1-10-78	W.D.	REVISED PER ECN 1011
3	2-10-78	W.D.	REVISED PER ECN 1011
4	3-10-78	W.D.	REVISED PER ECN 1011
5	4-10-78	W.D.	REVISED PER ECN 1011
6	5-10-78	W.D.	REVISED PER ECN 1011
7	6-10-78	W.D.	REVISED PER ECN 1011
8	7-10-78	W.D.	REVISED PER ECN 1011
9	8-10-78	W.D.	REVISED PER ECN 1011
10	9-10-78	W.D.	REVISED PER ECN 1011
11	10-10-78	W.D.	REVISED PER ECN 1011

QTY	ITEM	WANG PART NO.	DRAWING NO.	DESCRIPTION
	WANG	LABORATORIES, INC.		
	MATERIAL	MODEL NO 9" & 12" WANG MONITOR		
	FINISH	SEE CHART		

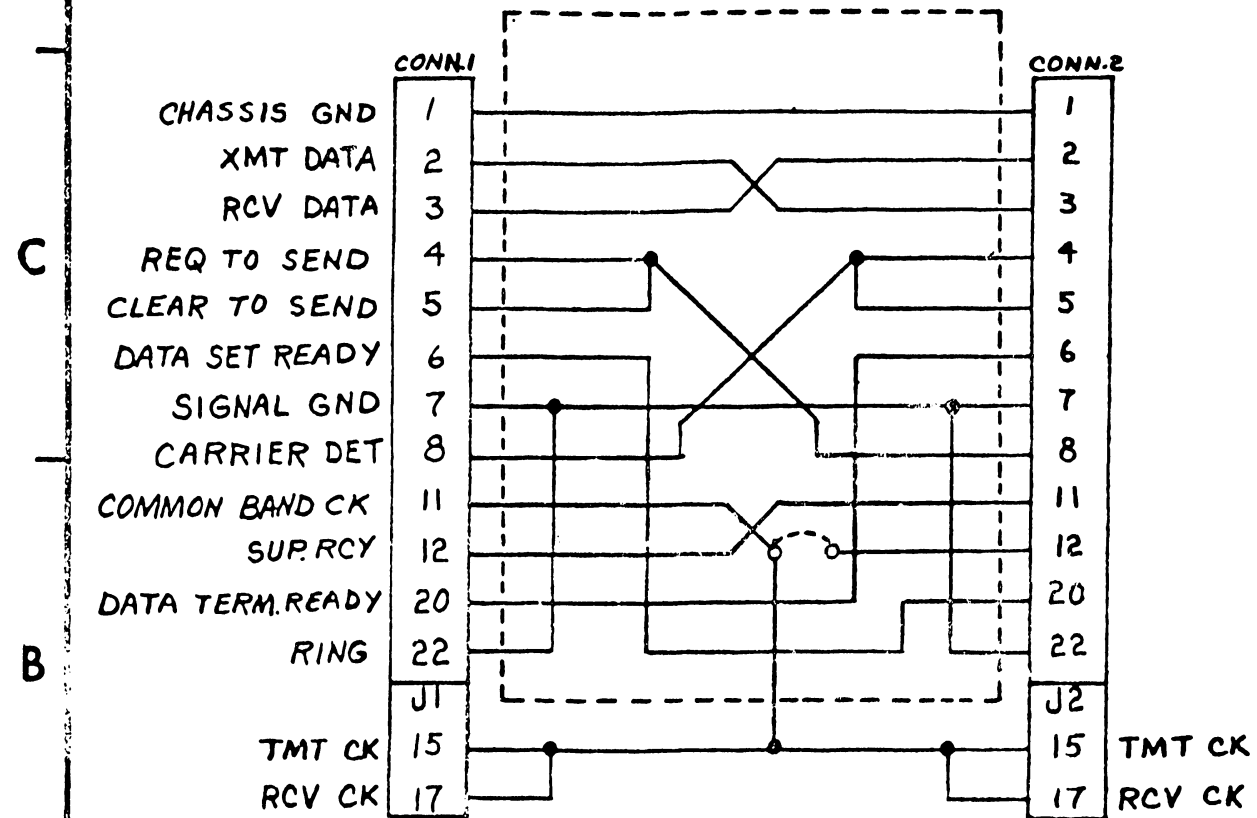
BY	DATE	APPROVED BY	DATE
OWN E.F.	10-21-77	ENGR R. Solom...	10-21-77
CHK G.D.	10-21-77	M ENGR	

WANG PART NUMBER	SIZE	DRAWING NUMBER	REV
7456	D	7456	5

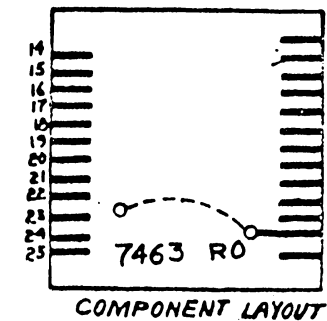
"THIS DRAWING AND THE DATA SHOWN THEREON ARE THE CONFIDENTIAL PROPERTY OF, AND ARE PROPRIETARY TO, WANG LABORATORIES, INC. THIS DRAWING AND THE DATA SHOWN THEREON MAY NOT BE MADE PUBLIC WITHOUT THE WRITTEN CONSENT OF WANG LABORATORIES, INC. IF FOR ANY REASON THIS DRAWING IS PERMITTED BY WANG TO LEAVE THE PHYSICAL CUSTODY OF THE COMPANY, IT IS RETURNABLE UPON THE DEMAND OF WANG LABORATORIES, INC."

DO NOT SCALE

COMPONENT	WL PART NO	TYPE
CONN. 1,2	350-1031	DB-25S CH CONN



PRELIMINARY



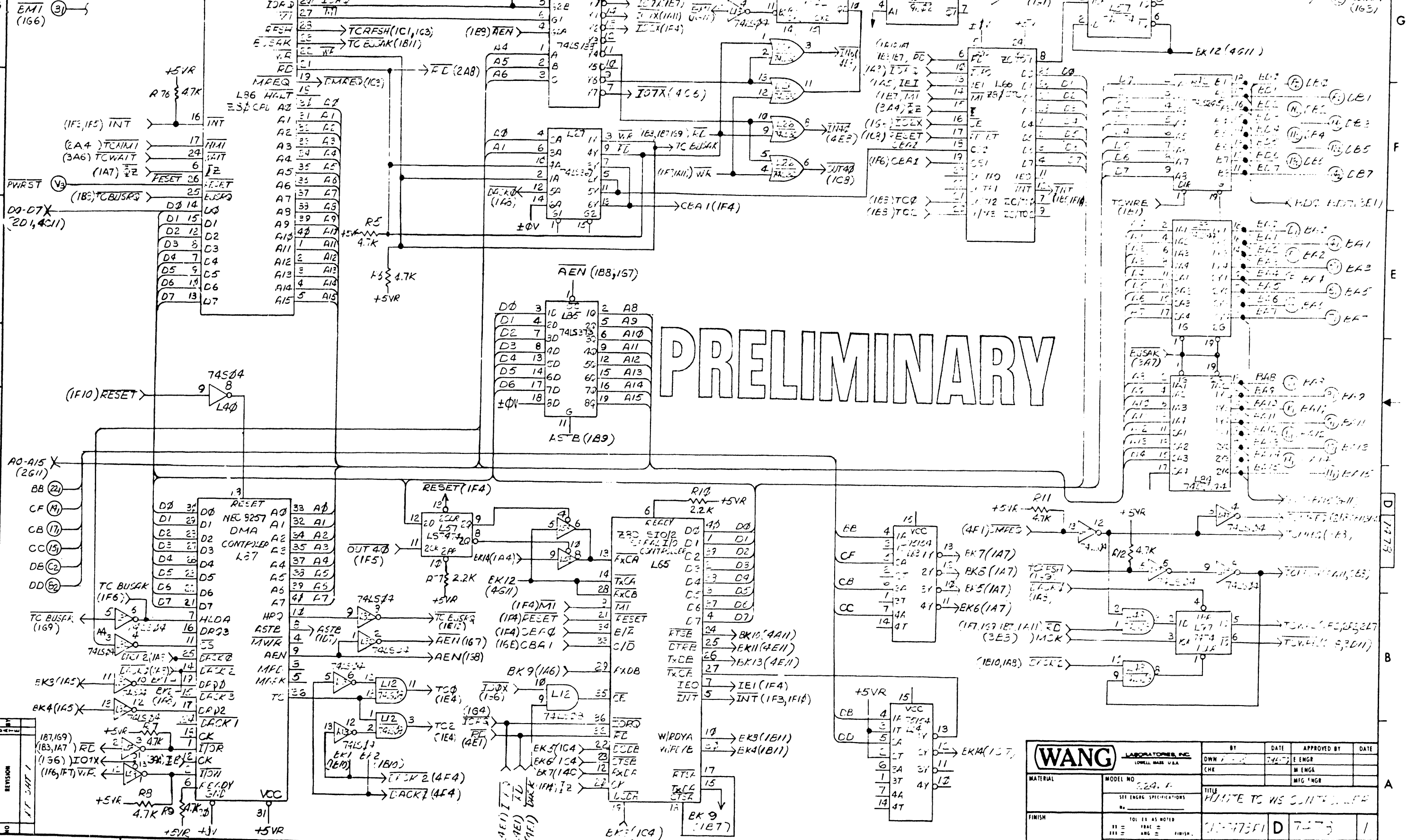
JUL 19 1978

E-REV
0

REVISION	BY	DATE	ORIGINATED PER
0	DK	4-7-78	DWR # E 159 APP'D: 5-2-78

WANG LABORATORIES, INC. LOWELL, MASS. U.S.A.		BY	DATE	APPROVED BY	DATE
		DWN DK	4-7-78	E ENGR K. OSBORNE	5-2-78
MATERIAL		CHK	DATE	MFG ENGR	
MODEL NO. 928		E. C. CONTROL		MFG ENGR	
SEE ENGRG SPECIFICATIONS No. _____		TITLE BI-SYNC NULL MODEM BOARD			
FINISH		210-7463		B	7463
TOL. EX. AS NOTED .XX ± .010 FRAC. ± 1/64 .XXX ± .005 ANG. ± 1°30' FINISH		SCALE		SHT / OF /	REV
WANG PART NUMBER		SIZE	DRAWING NUMBER	REV	

THIS DRAWING AND THE DATA SHOWN THERE ON ARE THE CONFIDENTIAL PROPERTY OF AND ARE PROPRIETARY TO WANG LABORATORIES, INC. THIS DRAWING AND THE DATA SHOWN HEREIN MAY NOT BE MADE PUBLIC WITHOUT THE WRITTEN CONSENT OF WANG LABORATORIES, INC. IN ANY CASE, THIS DRAWING IS TO BE KEPT BY WANG TO MAINTAIN THE PHYSICAL CUSTODY OF THIS COMPANY. IT IS RETURNABLE UPON THE DEMAND OF WANG LABORATORIES, INC.

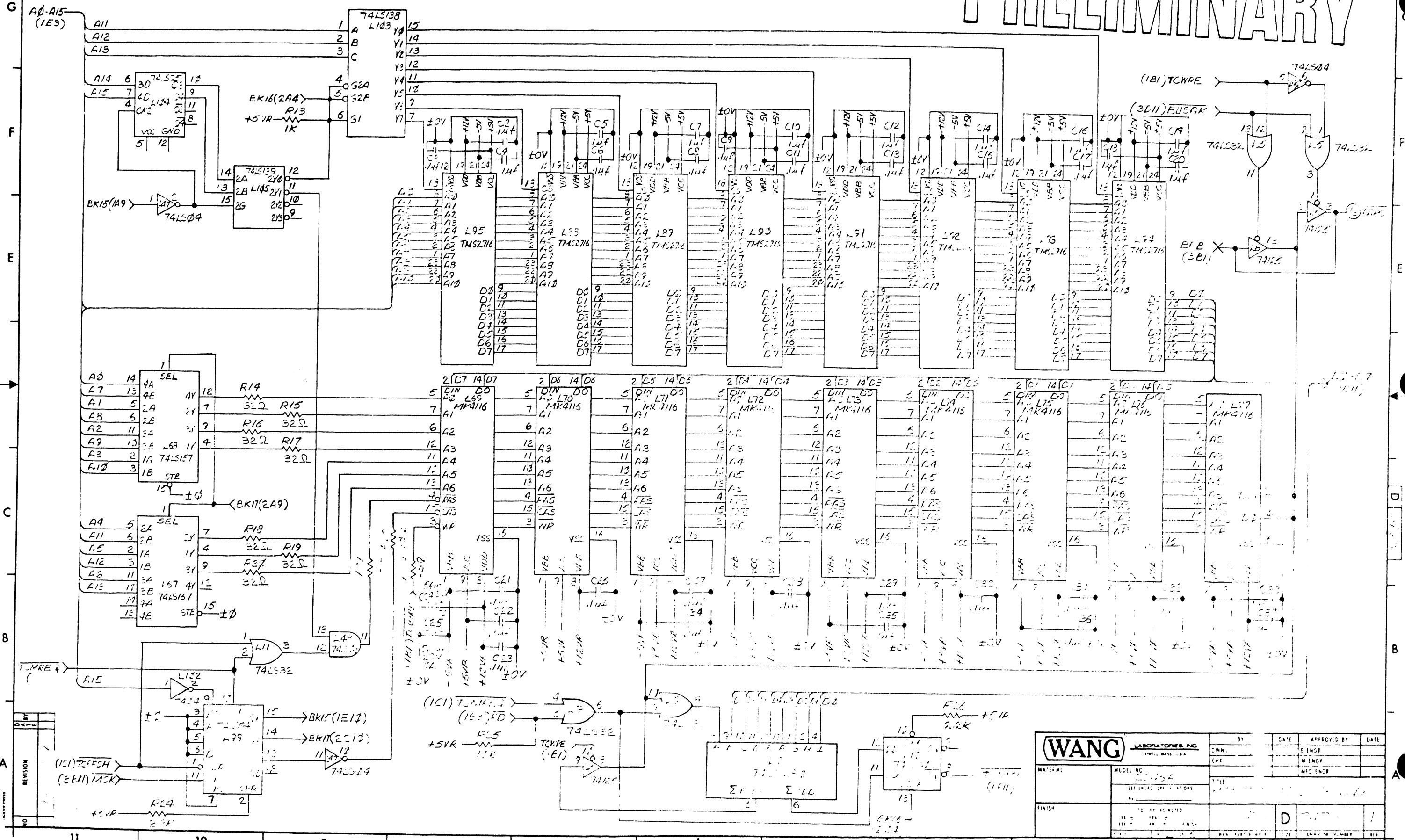


PRELIMINARY

WANG LABORATORIES, INC. LOWELL, MASS. U.S.A.		BY	DATE	APPROVED BY	DATE
		DWN	7-27-73	E ENGR	
MATERIAL		MODEL NO.	TITLE		
		SEE ENGR SPECIFICATIONS	H/WRITE TO WS CONTROLLER		
FINISH		TOL. EX. AS NOTED	SCALE	1/4" = 1"	1
		FIN. = FINISH	SCALE	1/4" = 1"	1

THIS DRAWING AND THE DATA SHOWN THERE ON ARE THE CONFIDENTIAL PROPERTY OF AND ARE PROPRIETARY TO WANG LABORATORIES, INC. THIS DRAWING AND THE DATA SHOWN THEREIN MAY NOT BE MADE PUBLIC WITHOUT THE WRITTEN CONSENT OF WANG LABORATORIES, INC. FOR ANY REASON THIS DRAWING IS PERMITTED BY WANG TO LEAVE THE PHYSICAL CUSTODY OF THE COMPANY IT IS RETURNABLE UPON THE DEMAND OF WANG LABORATORIES, INC.

PRELIMINARY

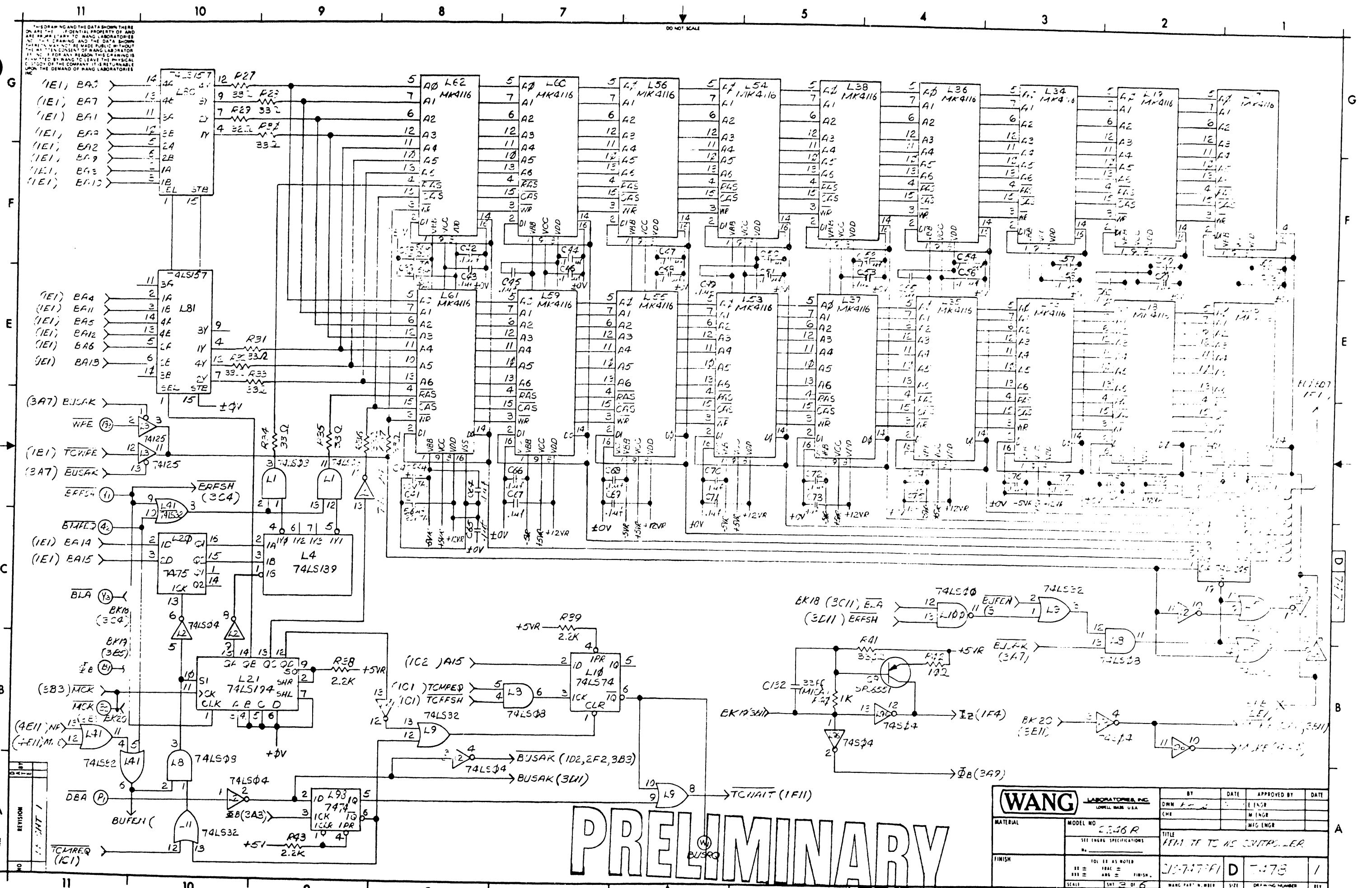


REVISION	DATE	BY	APPROVED BY	DATE

WANG LABORATORIES, INC. WALTHAM, MASS. U.S.A.		BY	DATE	APPROVED BY	DATE
MATERIAL	MODEL NO.	CWN		E ENGR	
FINISH	DATE	CHE		M ENGR	
				MFG ENGR	

THIS DRAWING AND THE DATA SHOWN THERE ARE THE CONFIDENTIAL PROPERTY OF WANG LABORATORIES, INC. NO PART OF THIS DRAWING AND THE DATA SHOWN THEREIN MAY BE REPRODUCED OR TRANSMITTED IN ANY FORM OR BY ANY MEANS WITHOUT THE WRITTEN CONSENT OF WANG LABORATORIES, INC. FOR ANY REASON THIS DRAWING IS THE PROPERTY OF WANG LABORATORIES, INC. AND IS TO BE RETURNED TO THE DEMAND OF WANG LABORATORIES, INC.

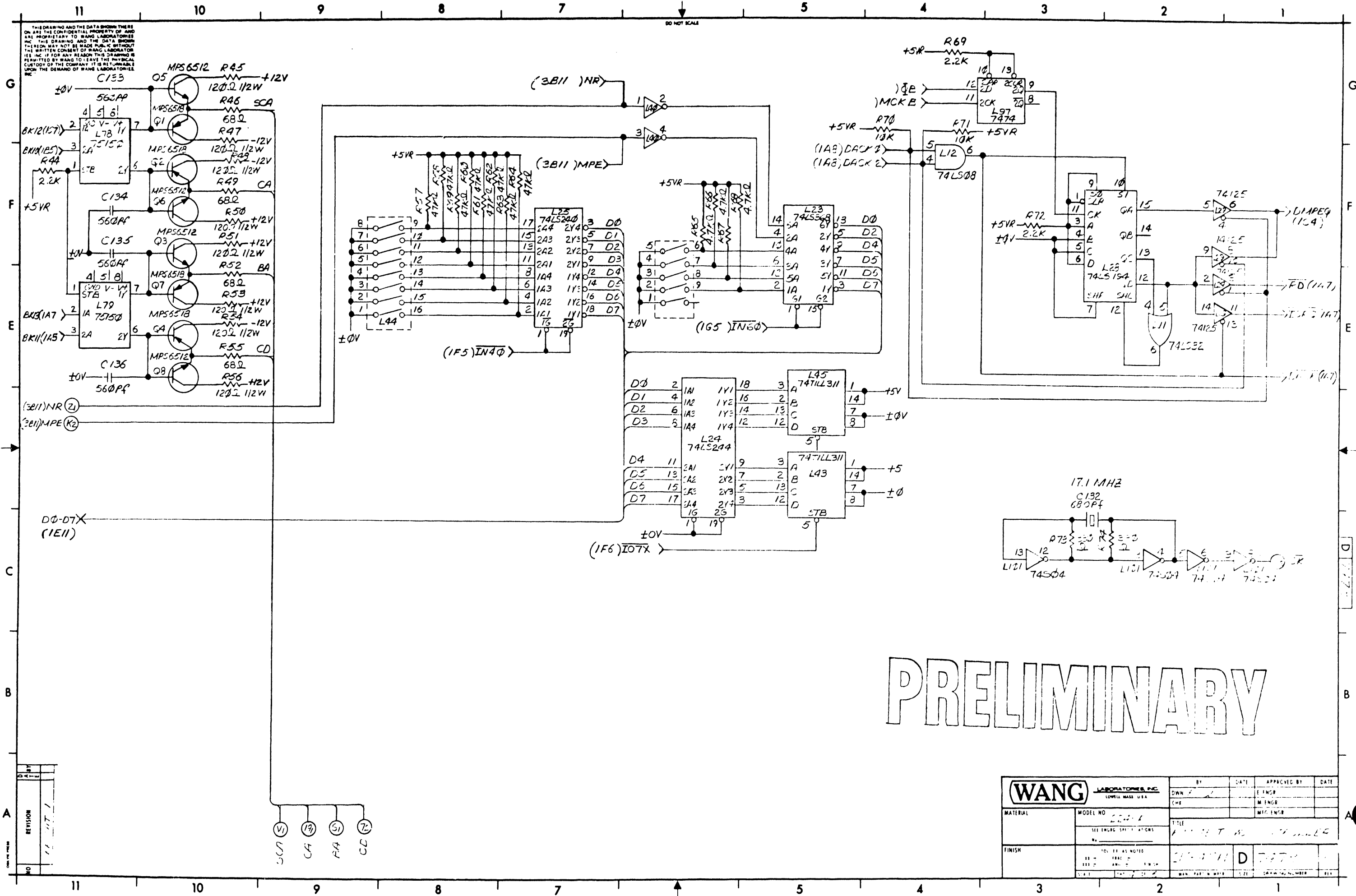
DO NOT SCALE



PRELIMINARY

WANG LABORATORIES, INC. LOWELL, MASS. U.S.A.		BY	DATE	APPROVED BY	DATE
MATERIAL	MODEL NO. 2256R	DWN		E ENGR	
FINISH	SEE ENGR SPECIFICATIONS	CHR		M ENGR	
	TITLE			MFG ENGR	
	101 IS AS NOTED				
	111 =				
	121 =				
	131 =				
	141 =				
	151 =				
	161 =				
	171 =				
	181 =				
	191 =				
	201 =				
	211 =				
	221 =				
	231 =				
	241 =				
	251 =				
	261 =				
	271 =				
	281 =				
	291 =				
	301 =				
	311 =				
	321 =				
	331 =				
	341 =				
	351 =				
	361 =				
	371 =				
	381 =				
	391 =				
	401 =				
	411 =				
	421 =				
	431 =				
	441 =				
	451 =				
	461 =				
	471 =				
	481 =				
	491 =				
	501 =				
	511 =				
	521 =				
	531 =				
	541 =				
	551 =				
	561 =				
	571 =				
	581 =				
	591 =				
	601 =				
	611 =				
	621 =				
	631 =				
	641 =				
	651 =				
	661 =				
	671 =				
	681 =				
	691 =				
	701 =				
	711 =				
	721 =				
	731 =				
	741 =				
	751 =				
	761 =				
	771 =				
	781 =				
	791 =				
	801 =				
	811 =				
	821 =				
	831 =				
	841 =				
	851 =				
	861 =				
	871 =				
	881 =				
	891 =				
	901 =				
	911 =				
	921 =				
	931 =				
	941 =				
	951 =				
	961 =				
	971 =				
	981 =				
	991 =				
	1001 =				

THIS DRAWING AND THE DATA SHOWN THEREON ARE THE CONFIDENTIAL PROPERTY OF WANG LABORATORIES, INC. THIS DRAWING AND THE DATA SHOWN THEREON MAY NOT BE MADE PUBLIC WITHOUT THE WRITTEN CONSENT OF WANG LABORATORIES, INC. IF FOR ANY REASON THIS DRAWING IS REPRODUCED BY ANY OTHER PARTY, THE PHYSICAL CUSTODY OF THIS COMPANY IS RETURNABLE UPON THE DEMAND OF WANG LABORATORIES, INC.



PRELIMINARY

NO.	REVISION	DATE	BY

WANG LABORATORIES, INC. LOWELL, MASS. U.S.A.		BY	DATE	APPROVED BY	DATE
MATERIAL	MODEL NO.	DWN		ENGR	
	SEE ENG'G SPEC'S ATTACHED	CHE		M ENGR	
FINISH	100% ET AS NOTED			MIC ENGR	
	100% TEST				
	100% INSPECTION				
	100% CHECK				

- ①
- ②
- ③
- ④
- ⑤
- ⑥
- ⑦
- ⑧
- ⑨
- ⑩
- ⑪

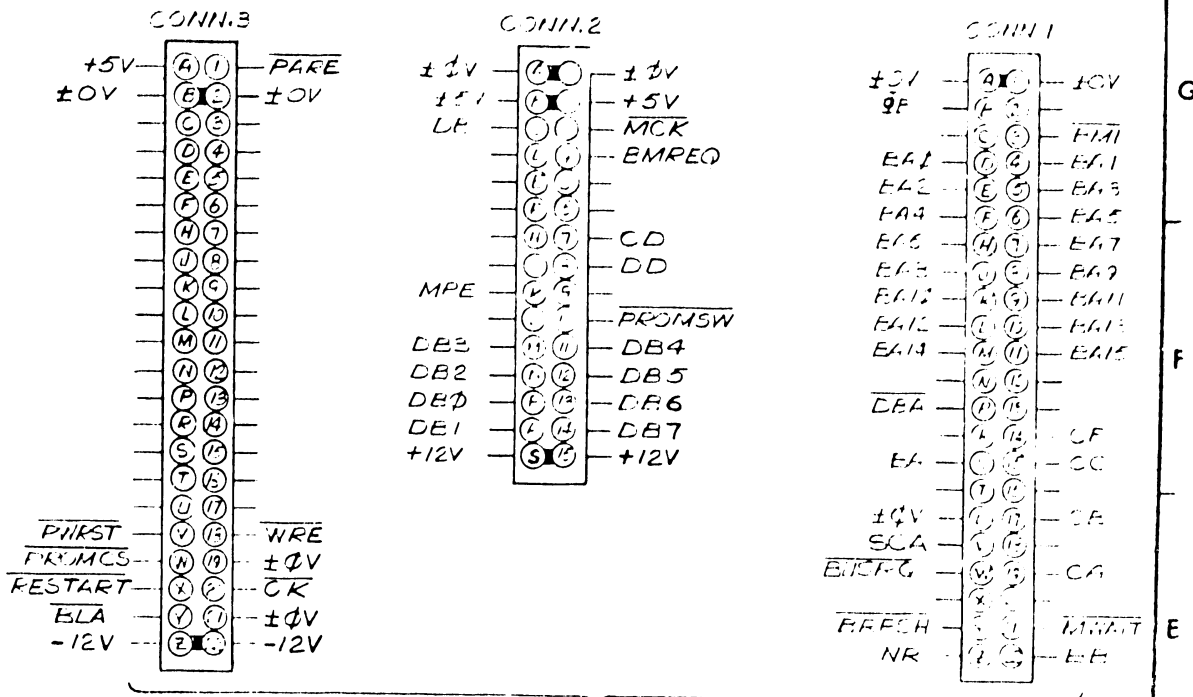
THIS DRAWING AND THE DATA SHOWN THERE ON ARE THE CONFIDENTIAL PROPERTY OF WANG LABORATORIES, INC. THIS DRAWING AND THE DATA SHOWN THEREON MAY NOT BE MADE PUBLIC WITHOUT THE WRITTEN CONSENT OF WANG LABORATORIES, INC. IF FOR ANY REASON THIS DRAWING IS PERMITTED BY WANG TO LEAVE THE PHYSICAL CUSTODY OF THE COMPANY, IT IS RETURNABLE UPON THE DEMAND OF WANG LABORATORIES, INC.

LOC. LOCATION	TYPE	W.L. NO.
L1, 8, 12, 48	74LS08	376-0153
L2-15, 40, 47, 82, 95, 101	74LS04	376-0190
L3, 6, 29, 58	74125	376-0324
L4, 105	74LS139	376-0225
L5, 9, 11, 26, 41	74LS32	376-0211
L7	74LS293	376-0296
L10, 30, 57, 97, 98	74LS74	376-0255
L14, 15, 31, 32	SPARKS	
L16-19, 23, 38, 53-56, 59-62, 69-77	MK4116	377-0345
L20-104	74LS75	376-0312
L21, 28, 99	74LS194	376-0221
L22	SN725757	
L23	74LS259	376-0193
L24, 83, 84	74LS247	376-0233
L25	74LS247	376-0237
L27	74LS367	376-0192
L39, 42	74LS245	376-0235
L43, 45	TILL 311	
L44	SN725757	
L46, 103	74LS138	376-0233
L49	9632	376-0104
L50-52		
L63, 64	74154	376-0393
L65	280170	376-0211
L66	280070	376-0215
L67, 68, 80, 81	74LS157	376-0316
L78, 79	75150	376-0376
L85	74LS377	376-0310
L86	280070	376-0317
L87	NEC817	
L88-95	3716	376-0371
L100	74LS00	376-0307
L102	74LS04	376-0311

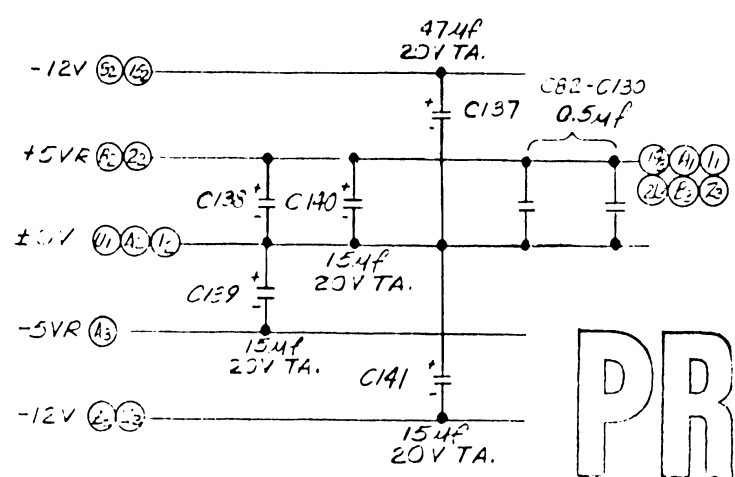
LOCATION	TYPE	VALUES
L1	74LS08	2
L45	74LS08	1
L13		4
L40		2
L47	74LS04	2
L96		2
L101		2
L100	74LS00	3

COMPONENT	TYPE	W.L. NO.
R1, 3, 25	12K 1/4W 1%	330-4010
R2, 4, 9, 13, 24, 26, 38, 39, 43, 44, 69, 72	2.2K, 1/4W 1%	330-3022
R5, 6, 7, 8, 11, 12	47K, 1/4W 1%	330-3047
R13, 40	1K, 1/4W 1%	330-3013
R14, 23, 27, 37	330, 1/4W 1%	330-1033
R41, 73, 74	330, 1/4W 1%	330-3023
R42	100, 1/4W 1%	330-1010
R73, 71	15K, 1/4W 1%	330-4010
R45-56	1200, 1/4W 1%	330-2012
R57-68	47K 251P	
C1	.001uF	300-2010
C2-C81	.1uF CER	300-1930
C92-C131	.05uF CER	300-1900
C132	680K 334.5%	300-5003
C133-C136	500K 500.5%	300-5023
C137	47uF 20V TA	300-4061
C138-C141	15uF 20V TA	300-4022

MEMORIC	COORDINATE
BA	4A9
BA1-BA15	1E1
EB	1C11
EA	3C11
EA7	1G11
EA8	3C11
EA9	3D11
EA10	3A6
EA	4A9
CB	1C11
CC	1C11
CD	4A9
CK	4C1
CF	1C11
LA	1C11
CEA	3A11
DE3-DE7	DE7
DD	1E11
EE	3E11
MCK	7E11
MFF	4C11
MHAIT	
NR	4D11
PAFE	2E1
FRONCS	
FRONSW	
PHRST	1F11
RESTART	1G1
SCA	4A9
WRE	3D11



SIGNAL-TERMINAL DESIGNATIONS VIEW FROM BOTTOM (WIRING SIDE OF CONNECTOR)



PRELIMINARY

REV	DATE	BY	CHKD
1			
2			
3			

WANG LABORATORIES, INC. LOWELL, MASS. U.S.A.		BY	DATE	APPROVED BY	DATE
MATERIAL		CHG	16	ENGR	
MODEL NO. 7478				M ENGR	
SEE ENGR. SPECIFICATIONS				MFG ENGR	
FINISH		TITLE		NOTE TO THE CONTROLLER	
101 EA AS NOTED		7478		D 7478	
112 EA AS NOTED		7478		1	
113 EA AS NOTED		7478		1	
114 EA AS NOTED		7478		1	
115 EA AS NOTED		7478		1	
116 EA AS NOTED		7478		1	
117 EA AS NOTED		7478		1	
118 EA AS NOTED		7478		1	
119 EA AS NOTED		7478		1	
120 EA AS NOTED		7478		1	

SECTION

14

BILL

OF

MATER-

IALS

SECTION 14
BILL OF MATERIALS (ASSEMBLY LEVEL)

14.1 GENERAL

This section contains the assembly-level Bill of Materials for the 2246R Remote Workstation, delineating the official WLI part numbers, description, and kitting information for each assembly-level item.

MODEL 2246R REMOTE STAND-ALONE WORKSTATION
 Section 14 - Bill of Materials (Assembly Level)

03-0089

MODEL 2246R REMOTE STAND-ALONE WORKSTATION
 M U L T I - L E V E L B I L L O F M A T E R I A L S
 ASSEMBLY PART NUMBER 177-2246-R - - - - -
 ASSEMBLY DESCRIPTION 2246R REMOTE STAND ABOVE WS
 LEGEND
 1 - P-PHANTOM 2 ITEM MASTER DELY CODE 3 - **TAGGED OUT BY KIT/PROD STR

POSITION IN STRUCTURE	LEGEND	COMPONENT PART NUMBER	DESCRIPTION	E C N	QUANTITY PER ASSY	U/M	L/T
1	IN	167-2246-R - -	2246R WK/ST REMOTE 60HZ 2246R		1.0000	EACH	00010
2	IN	210-7478-A - -	PCA 2246R REMOTE TC WS CONTROLLER		1.0000	EACH	00010
3	IN	209-7478- - -	PCA 2246R REMOTE TC WS CONTROLLERNC		1.0000	EACH	00010
2	IN	210-7479-A - -	PCA 2200VS ENHANCED WS CPU		1.0000	EACH	00010
3	IN	209-7479- - -	PCA 2200VS ENHANCED WS CPU NC		1.0000	EACH	00010
2	IN	220-0219- - -	TC MODEM CABLE 22V-06 25FIC6482-402	E11965	1.0000	EACH	00010
2	IN	220-1143- - -	WIRE & LUG ASSY TYPE P065 D6482-12		1.0000	EACH	00010
2	IN	271-1126- - -	8300 FPCBOARD & BEARING PLATE ASSY		1.0000	EACH	00010
3	IN	210-7229- - -	PCA 928/2236/46P WS KEYBD	EC7259	1.0000	EACH	00010
2	P IN	279-0388- - -	2246R COMMON MECH ASSY 60H	E11965	1.0000	EACH	
3	IN	210-7156- - -	PCA 928 PS REG FOR MOTOROLA MONITOR		1.0000	EACH	00010
3	IN	220-1143- - -	WIRE & LUG ASSY TYPE P065 D6482-12		1.0000	EACH	00010
3	IN	270-0373- - -	12" MONITOR II & PWR SUP ASM II		1.0000	EACH	00010
4	IN	270-0371- - -	POWER SUPPLY 11,12" MONITOR(PRELIM)		1.0000	EACH	00010
5	P FS *	210-7455- - -	PCA 9/12 MONITOR WANG MON PS REG		1.0000	EACH	
6	IN	220-1107- - -	12" CRT POWER SUPPLY CABLE B6482-141		1.0000	EACH	00010
4	IN *	270-0372- - -	12" MONITOR ASM II (LESS PWR SUP)		1.0000	EACH	00010
5	IN *	210-7456- - -	PCA 12" MONITOR ELEC	EC8373	1.0000	EACH	00010
5	IN	270-0160- - -	BRIGHTNESS POT CABLE ASSY C6482-140		1.0000	EACH	00010
5	P IN	270-3068- - -	12" CRT HARNESS ASSY D6482-139		1.0000	EACH	
5	P IN	270-3092- - -	YOKE ASSY (12" MONITOR) B6482-246		1.0000	EACH	
5	P IN	270-3104- - -	12"FLYBACK XFORMER HARN C6482-327	EC9723	1.0000	EACH	
3	P IN	270-0597- - -	2246R WK/ST CHASSIS ASSY		1.0000	EACH	
4	IN	210-7542-1 - -	PCA 2246R MOTHER BOARD	E12044	1.0000	EACH	00010
5	IN	220-3014- - -	24 COND 14"FLAT CABLE C-6482-79		1.0000	EACH	00010
4	IN	220-1143- - -	WIRE & LUG ASSY TYPE P065 D6482-12		1.0000	EACH	00010
4	IN	220-1180- - -	WIRE & LUG ASSY TYPE P077 D6482-12		1.0000	EACH	00010
4	IN	270-0346-1 - -	WS POWER SUPPLY ASSY		1.0000	EACH	00010
5	IN	220-1042- - -	P022 WIRE & LUG ASSY(2LCRT)D6482-12		1.0000	EACH	00010
5	IN	220-1074- - -	CABLE PS/MB(F CHASSIS)B6482-91		1.0000	EACH	00010
5	IN	220-1077- - -	P043 WIRE & LUG ASSY(F CHAS)B648296		1.0000	EACH	00010
5	IN	220-1094- - -	P048 WIRE & LUG ASSY B		1.0000	EACH	00010
3	IN	272-0004- - -	928WZ BEZEL ASSY(ALUM TAPE) 6841-31		1.0000	EACH	00010
3	IN	279-1015- - -	928WZ BASE ASSY(ALUM TAPE) 6841-30		1.0000	EACH	00010
3	IN	279-4117- - -	2246R WK/ST COVER				

ASSY 1.0000 EACH 00010

END OF REPORT MB0080-A

APPENDIX

A

APPENDIX A
 IBM EBCDIC-DP CODE SET

		HIGH ORDER HEX DIGIT															
		0	1	2	3	4	5	6	7	8	9	A	B	C	D	E	F
L	0	NUL	DLE			SP	&	-						{	}	/	0
W	1	SOH	DC1			RSP		/		a	j	~		A	J		1
O	2	STX	DC2		SYN					b	k	s		B	K	S	2
R	3	ETX	DC3							c	l	t		C	L	T	3
D	4									d	m	u		D	M	U	4
H	5	HT	NL	LF						e	n	v		E	N	V	5
E	6			ETB						f	o	w		F	O	W	6
X	7			ESC	EOT					g	p	x		G	P	X	7
D	8									h	q	y		H	Q	Y	8
I	9		EM							i	r	z		I	R	Z	9
G	A					c	!		:								
I	B	VT				.	\$,	#								
T	C	FF				<	*	%	@								
	D	CR	IGS	ENQ	NAK	()	-	'								
	E		IRS			+	;	>	=								
	F		ITB	BEL			~	?	"								PAD

BSC DATA LINK CHARACTERS

BEL	Bell
CR	Carriage Return
DLE	Data Link Escape
ENQ	Enquiry
EOT	End of Transmission
ESC	Escape
ETB	End of Text Block
ETX	End of Text
HT	Horizontal Tab
ITB	Intermediate Text Block
NAK	Negative Acknowledgement
NUL	Null
PAD	Trailing Pad Character
SOH	Start of Header
STX	Start of Text
SYN	Synchronous Idle

IBM 2780 CONTROL CHARACTERS

EM	End of Media
SP	Space

IBM 3780 CONTROL CHARACTERS

DC1	Device Select Printer
DC2	Device Select Punch
DC3	Device Select Punch
FF	Form Feed
IGS	Interchange Group Separator
IRS	Interchange Record Separator
LF	Line Feed
NL	New Line
SP	Space
VT	Vertical Tab

BSC DATA LINK CONTROL SEQUENCES

ACK 0	Positive Acknowledgment 0 (DLE X'70')
ACK 1	Positive Acknowledgment 1 (DLE /)
DLE EOT	Disconnect Sequence for a Switched Line
RVI	Reverse Interrupt (DLE @)
TTD	Temporary Text Delay (STX ENQ)
WACK	Wait-Before-Transmit Positive Acknowledgment (DLE ,)

APPENDIX

B

APPENDIX B

CUSTOMER ENGINEERING INPUTS FOR CSNL #128 (22V06 IOP's #2)

GENERAL

The following text is a copy of unedited engineering inputs currently being processed to produce CSNL #128 (22V06 IOP's #2), referenced in this document as a prerequisite for successful operation of the 2246R Remote Workstation. This material is provided here to assist you in updating the 22V06 IOP to the required condition in the event of a need to install a 2246R Remote Workstation prior to release of the final CSNL document.

B-2

CSNL

Category + Sequence # : 22V06 TC IOP #

1

ECN # 10330

PCB # 210-7426

A. Reason for change

To correct decoupling and undershoot on MAR counters

B. Correction / Solution

Increase filtering on +5V and CLK lines

C. Prerequisite

NONE

D. Time Required

30 minutes

E. Parts Required

Five	.05uf	20%	12V ceramic capacitors	WLI #	300-1900
one	.01uf	20%	25V ceramic capacitor	WLI #	300-1903
one	200pf	10%	500V ceramic capacitor	WLI #	300-1220
one	10ohm	1/4w	5% resistor	WLI #	330-1011-4B

F. Procedure

ON COMPONENT side of board

1. Add A .05uf capacitor WLI # 300-1900 between pins 8 AND 16 of L113.
2. Add A .05uf capacitor WLI # 300-1900 between pins 8 AND 16 of IC's L144 thru L147
3. Add A 10ohm resistor WLI # 330-1011-4B between L94 pin 6 AND the feed thru located directly below IC L95
4. Add A 200pf cap. WLI # 300-1220 between pins 2 AND 8 of L144

5. Add A .01 uf cap WLF# 300-1903 between pins 4 and 6 of L13
6. For boards of artwork revision level R0 or R1, add a jumper wire between L42 pin 7 and IOV.
7. Increment E-REV level to 1
8. update schematics to reflect this change.

B-4

CSNL

Category + Sequence #: 22V06 TC ICP

#

2 ECN# 10521 PCB# 210-7426

A. Reason for Change

To correct memory errors

B. Correction / Solution

1. To drive Main Memory write data lines during a Main Memory read operation
2. Prevent erroneous write operations into the motherboard TC Processor when performing IPL and DMA write operations on either of the daughterboard's TC Processors.

C. Prerequisites

E-Rev 1

D. Time Required

30 minutes

E. Parts Required

24 gauge wire WLI# 600-9012

F. Procedure

ON NON-Component side of board perform the following:

1. Cut etch on L96 pin 6. Make etch cut at the base of pin 6.
2. Cut etch on L61 pin 6. Make etch cut at the base of pin 6.
3. Cut etch between L23 pin 3 AND L3 pin 3. NOTE: This step requires two etch cuts and they must be made in the locations given in Figure 1.

ON the Component side of board perform the following:

4. Add a wire between L156 pin 1 and L114 pin 12. This jumper is installed just to the left of L96. See figure 2.
5. Add a wire between L155 pin 15 and L16 pin 6.
6. Add a wire between L23 pin 7 and L18 pin 6.
7. Increment E-Rev to 2.
8. Update Schematics to reflect this change.

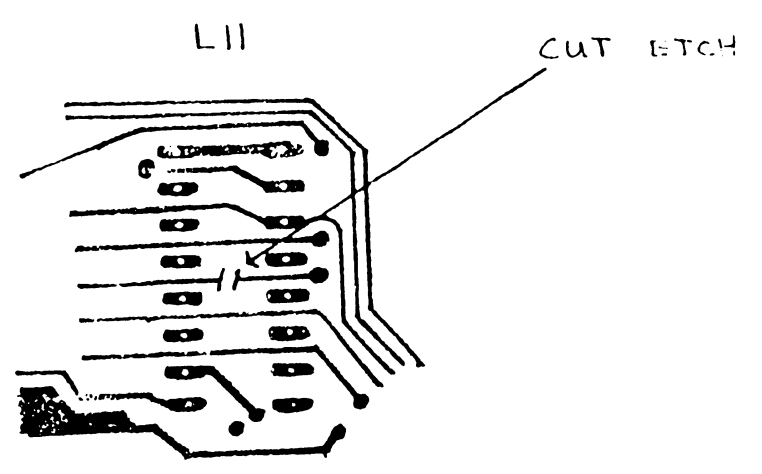
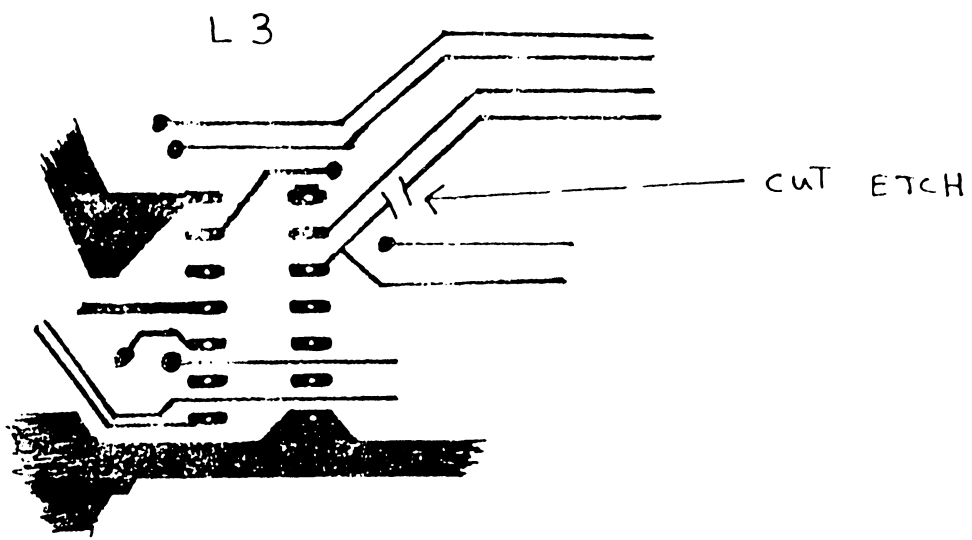


Figure 1

Add Jumper

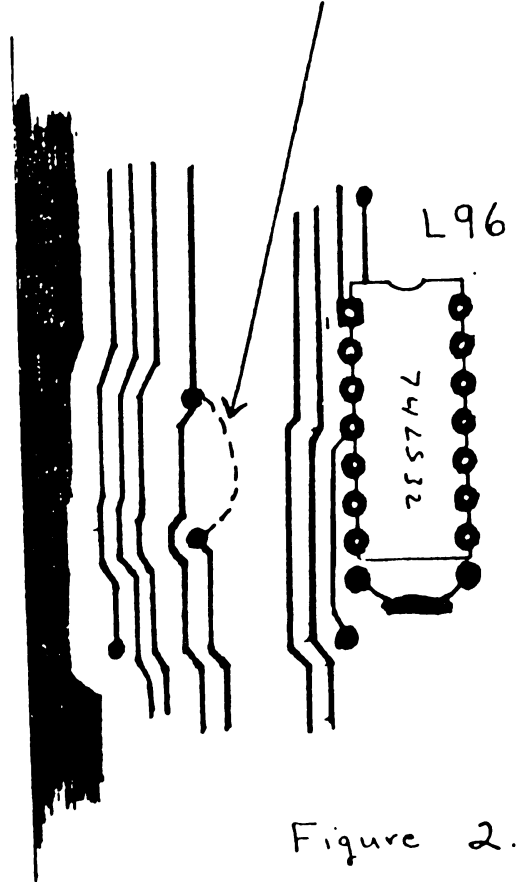


Figure 2.

B-6

CSNL

Category & Sequence #: 22V06 TC IOP

#

3 ECN # 10997

PCB # 210-7426

A. Reason for Change

To prevent RAS and CAS signals from turning on simultaneously during subsequent memory DMA operations.

B. Correction / Solution

Change the value of resistor R47

C. Prerequisites

PCB AT E-REV 2

D. Time Required

15 minutes

E. Parts Required

one 1Kohm 1/4w resistor WLI # 330-3010-4B

F. Procedure

1. On the component side of the board, remove the 10K resistor R47 located to the left of L56.
2. Replace R47 with a 1Kohm resistor WLI # 330-3010-4B
3. Increment the E-REV to 3.
4. update the Schematics and BOM to reflect this change.

Category & Sequence #: 22V06 TC IOP

#

4

ECN # 12190 and # 12275

PCB # 210-7426

A. Reason for Change

The VS to peripheral processor DMA sequence terminates early due to noise glitches on the output of the transfer length counter.

This can cause problems such as not being able to transfer a complete line of data or ~~and~~ give an "unable to load microcode" failure.

B. Correction / Solution

Buffer the output of the transfer length counter

C. Prerequisites

PCB AT REV 3

D. Time Required

30 minutes

E. Parts Required

one 2.2K $\frac{1}{4}$ w resistor WLI# 330-3022-4B

Approximately 4 feet of 24 gauge wire WLI# 600-9012

F. Procedure

ON Component Side of board perform the following:

1. Remove the 270 pf capacitor C5 which is connected to IC L165 pin 15. The capacitor is located just above IC L163.
2. Cut etch at the base of L165 pin 15. See Figure 1.
3. Add a wire from L165 pin 15 to L24 pin 12.

B-10

4. Add a wire from L24 pin 9 to feed thru located above L165.
See Figure 1. This feed thru was previously connected to L165 pin 15 and was cut in step 2.
5. Add a wire from L67 pin 12 to L24 pin 11.
6. Add a 2.2K resistor from L24 pin 13 to the +5V etch connected to pin 14.
7. Add a wire from L24 pin 13 to L24 pin 10.
8. upgrade E-REV to 4.
9. Change schematics to reflect this change. See Figure 2.

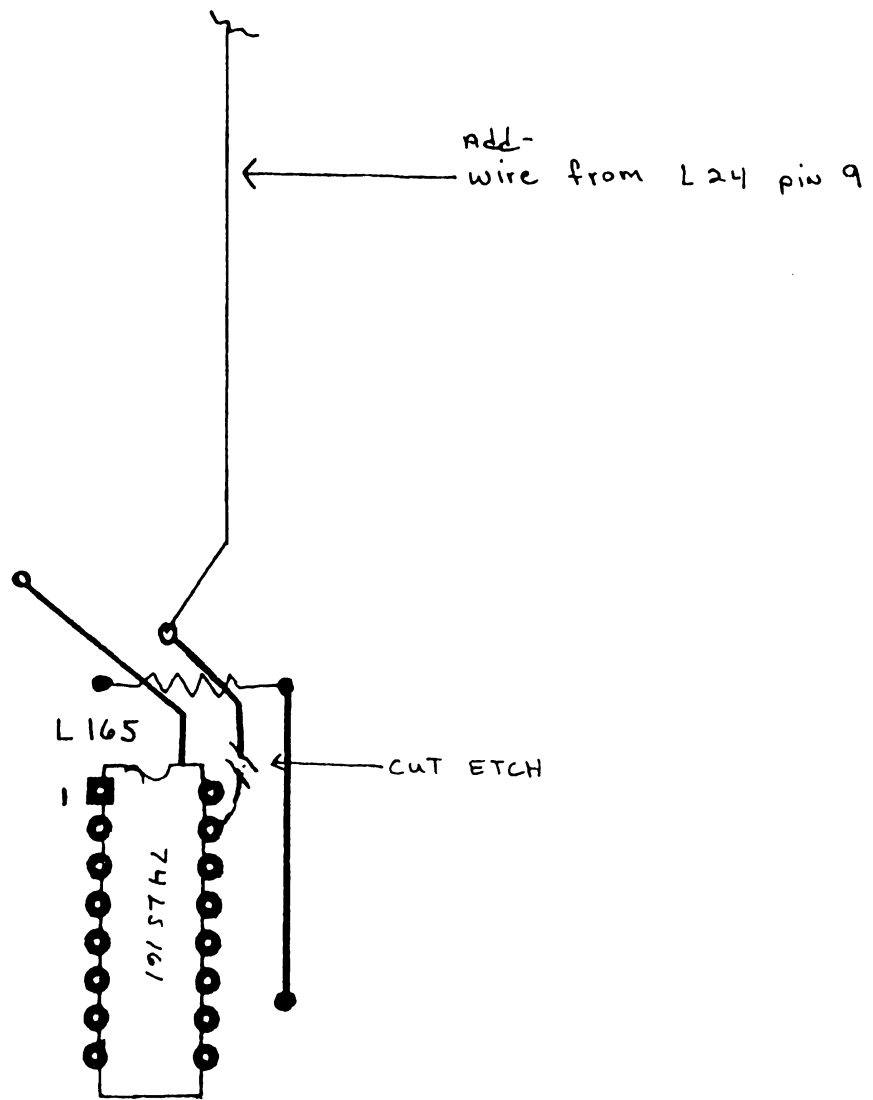


Figure 1

Category + Sequence #: 22V06 TC IOP

~~7~~ #

1 ECN # 10998

PCB # 210-7427 and -1

A. Reason for change

To prevent RAS and CAS signals from turning on simultaneously during subsequent memory DMA operations.

B. Correction / Solution

Change the values of resistors R1 and R17

C. Prerequisites

NONE

D. Time Required

15 minutes

E. Parts Required

FOR A 210-7427 PCB - ONE 1Kohm $\frac{1}{4}$ resistor WLI# 330-3010-4B

FOR A 210-7427-1 PCB - TWO 1K ohm $\frac{1}{4}$ resistors WLI# 330-3010-4B

~~For PCB 210-7427~~ NOTE: TH 210-7427 IS A 22V06-2
TH 210-7427-1 IS A 22V06-3

F. Procedure

FOR PCB 210-7427 perform steps 1-4 only

1. ON component side of Board, remove the 10K resistor R1 located just below L73.
2. Replace R1 with a 1Kohm resistor WLI# 330-3010-4B.
3. Increment E-REV TO 1.
4. Change schematics and BOM TO reflect this change.

B-14

The following steps apply only to PCB 210-7427-1

•

5. Perform steps 1 and 2
6. On the component side of board, remove the 10K resistor R17 connected to L63 pins 9 and 12.
7. Replace R17 with a 1Kohm resistor WLI # 330-3010-4B.
8. Increment the E-Rev to 1.
9. Change schematics and BOM to reflect this change.



WANG

LABORATORIES, INC.

ONE INDUSTRIAL AVENUE, LOWELL, MASSACHUSETTS 01851. TEL (617) 459-5000. TWX 710 343-6769. TELEX 94-7421

PRINTED IN U.S.A.

END