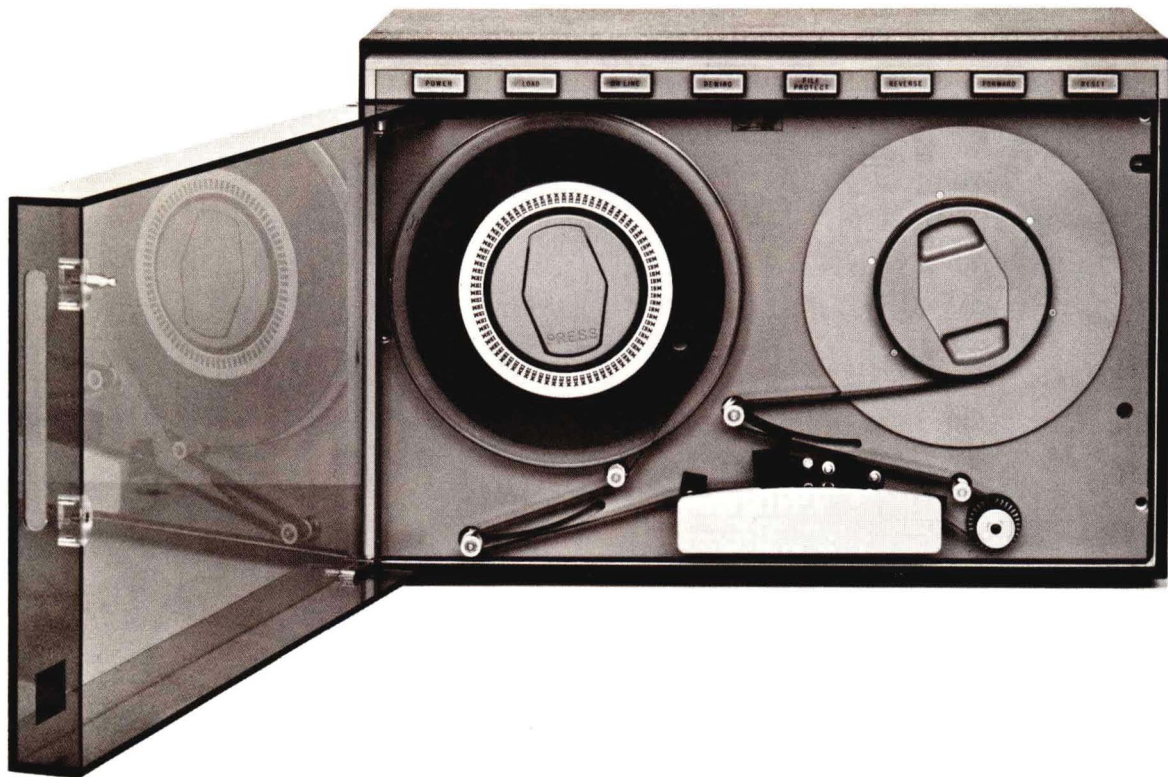




W WANGCO
INCORPORATED

MOD 8

MAGNETIC TAPE SYSTEMS



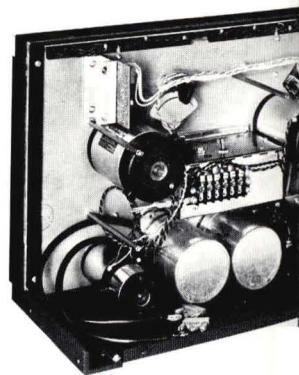
MOD 8

The WANGCO *Mod 8* is a low-cost, highly reliable digital magnetic recording system which is ideal for small computers, data communications systems, key tape systems, and data conversion systems. Fully IBM-compatible, the *Mod 8* has been designed to plug into most low-cost systems controllers.

With standard tape speeds of 12.5, 25 and 37.5 inches per second, data is written and read at densities of 200, 556, 800, or 1600 characters per inch. The *Mod 8* accepts IBM hub-compatible reels up to 8½ inches in diameter. IBM-compatible 7-track and ANSI-compatible 9-track versions are standard.

Consisting of a tape transport, transport electronics, data electronics, and a power supply, the *Mod 8* has an extremely simple, reliable design. In addition, it has many exclusive features which enhance performance, reliability, and ease of operation well beyond other tape handling systems in its price range.

Among the unique *Mod 8* features are (1) the use of IBM head guide spacing for reliable tape interchange, (2) variable electronic write deskewing in each channel for NRZI, and (3) a tri-level read threshold including a programmable level for recovery of marginal data. In addition, a simple tape-threading path and a quick-action, hold-down knob permit convenient threading and unloading in a matter of seconds.



SPECIFICATIONS

Tape Speed

12.5, 18.75, 25 or 37.5 ips

Data Density 9-track

800 cpi NRZI
1600 cpi PE

Data Density 7-track

800/556 cpi NRZI
800/200 cpi NRZI
556/200 cpi NRZI

Start/Stop Time

15.0 ± 1.0 ms at 25 ips
30.0 ± 2.0 ms at 12.5 ips
10.0 ± 0.7 ms at 37.5 ips

Instantaneous Speed Variation

± 4% maximum

Variation, Average Speed

± 1% maximum

Start Distance

0.17 ± 0.02 in.

Stop Distance

0.19 ± 0.02 in.

Rewind Speed

100 ips nominal for 37.5 and 25 ips operating speed
50 ips nominal for 12.5 ips operating speed

Dynamic Skew

75 microinches, maximum

Static Skew, WRITE

Electronic Skew compensation (NRZI)

Static Skew, READ

100 microinches, maximum

Reel Size

up to 8½ in. diameter, IBM-hub compatible

Number of Tracks

7, IBM-compatible, NRZI only
9, ANSI-compatible

Recording Mode

NRZI IBM-ANSI or phase-encoded

Head Type

Dual or Single Gap

Tape Tension

8.0 ± 0.5 oz.

Tape

Computer grade, 0.5 in. wide, 1.5 mil thick

Electronics

Silicon solid-state and 930 series DTL logic

Interface

DTL logic (low true)

Weight

57 lb.

Mounting

Standard 19 in. rack mount

Power

110-125 VAC ± 10% 1 Amp.
220-250 VAC ± 10% .5 Amp.
48-62 Hz.

Operating Temperature

40° to 90° F

Non-operating Temperature

30° to 140° F

Relative Humidity (Operating)

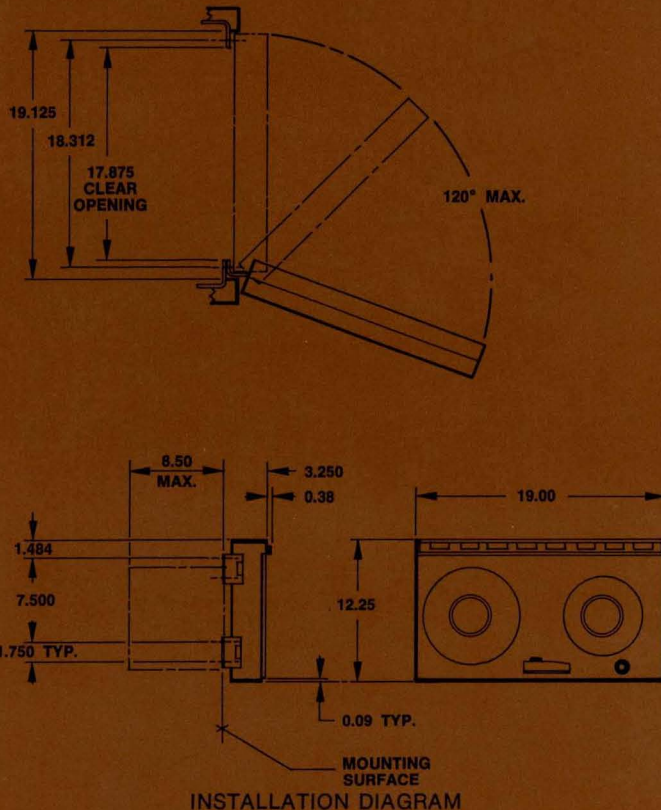
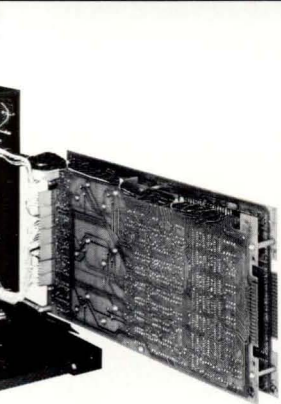
20 to 80%, non-condensing

Relative Humidity (Non-operating)

15 to 95%, non-condensing

Altitude

0 to 20,000 ft.



NRZI AND PHASE-ENCODING
FORMATTERS AVAILABLE.
CONTACT US FOR DETAILED
TECHNICAL DATA.

WORLDWIDE SALES AND SERVICE FACILITIES



W **WANGCO**
INCORPORATED

5404 JANDY PLACE • LOS ANGELES, CALIF, 90066
213 / 390-8081