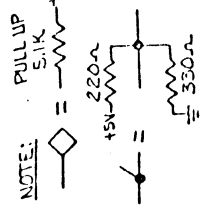


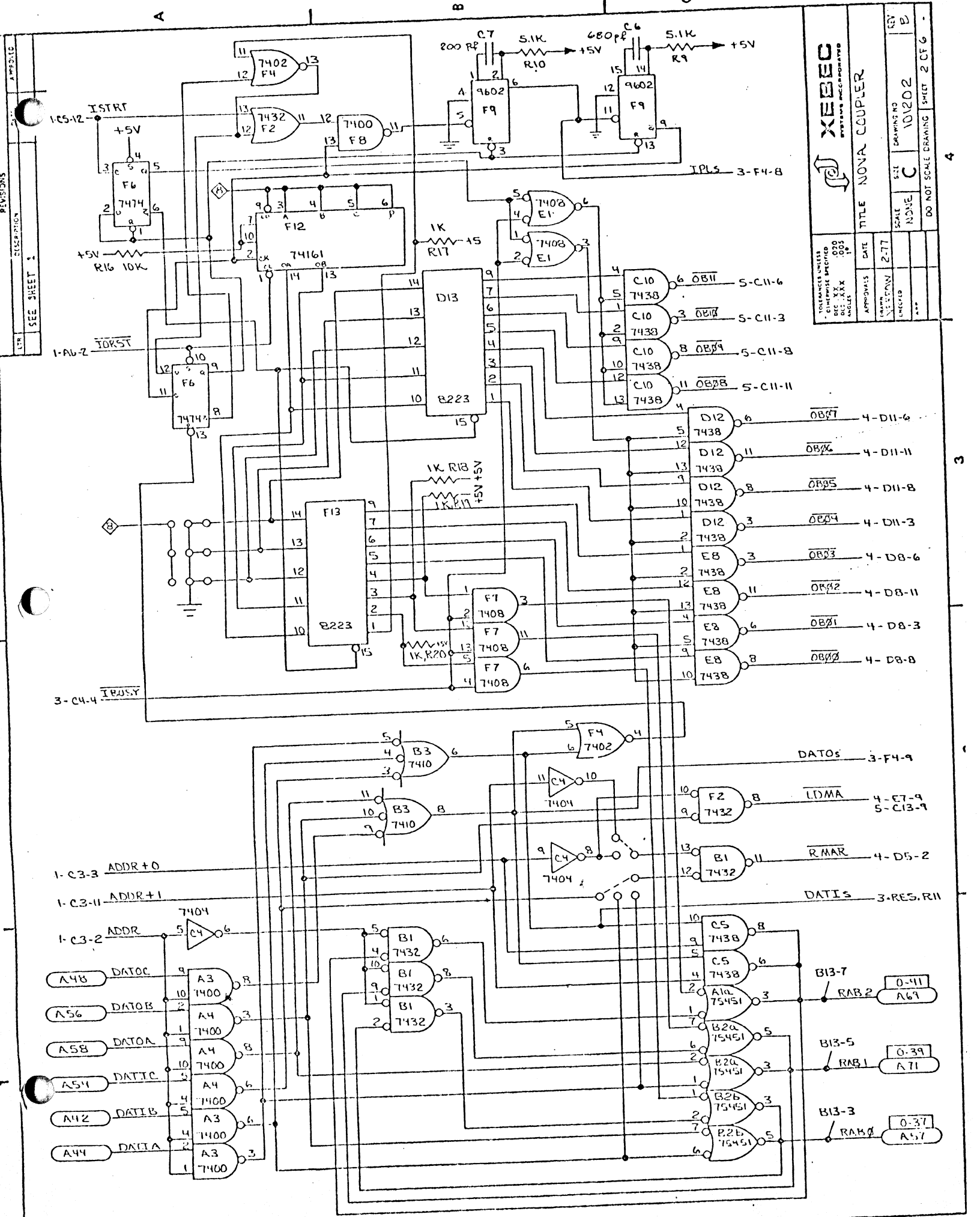
1 FROM TYPE RELEASE
 A PRODUCTION RELEASE
 B CHANGE FE2 ECU 807

NEEDS REVISIONS ACCUMULATED	
USED ON - NEXT ASST. - 101203	TITLE NOVA COUPLER
TOLERANCES UNLESS OTHERWISE SPECIFIED RES. - XX% CAPS. - XX% ANGLES - 45°	DATE 2-77 DRAWING NO. 101202
APPROVALS DESIGNED APP.	SCALE C SIZE C DO NOT SCALE DRAWING SHEET 1 OF 6



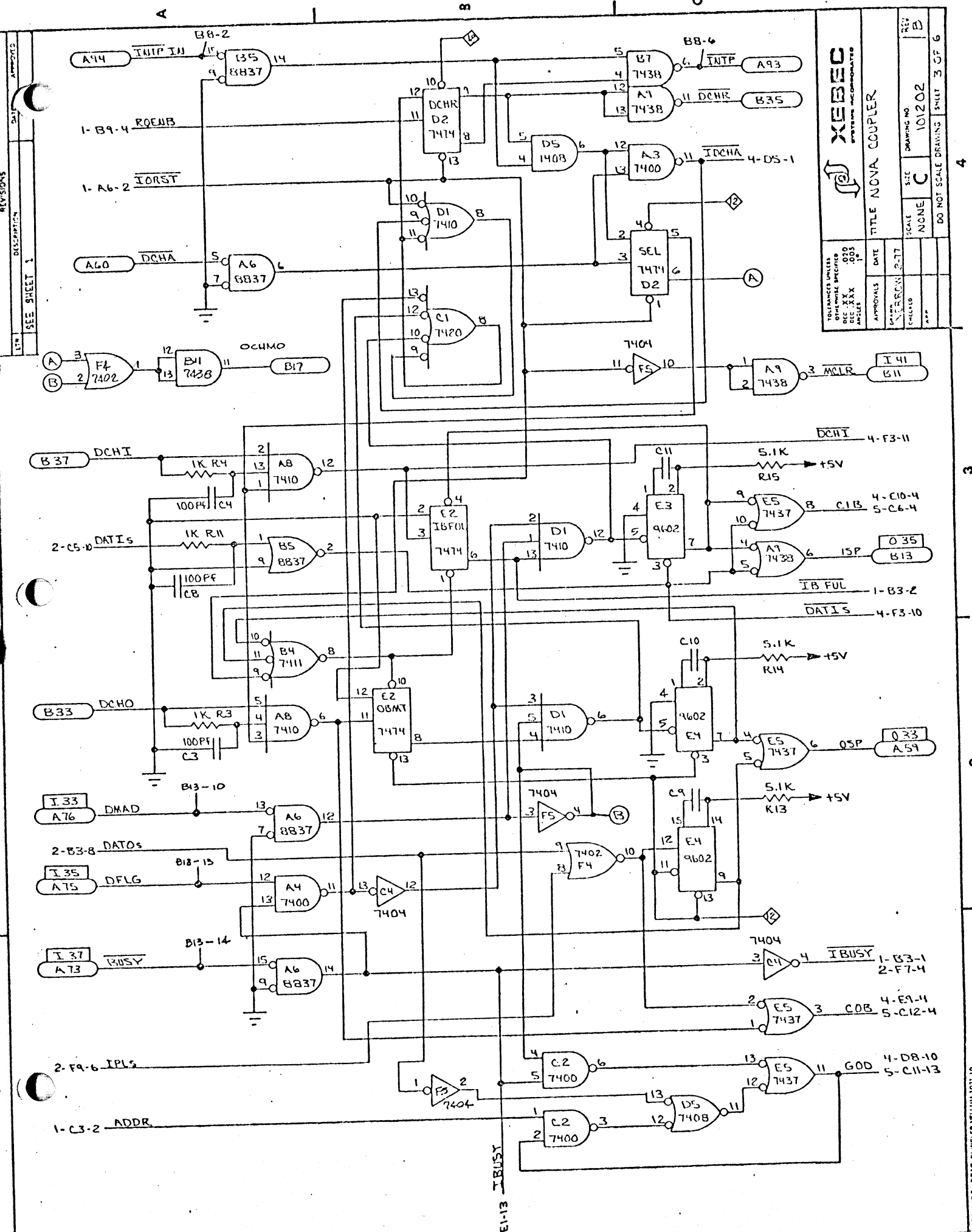
- 3-C2-1
- 2-C4-5
- 2-C4-9
- 2-C4-11
- 2-F2-13
- 2-F6-10
- 3-D2-13
- 4-E7-1
- 5-C13-1

FULL UP RES.
 5.1K



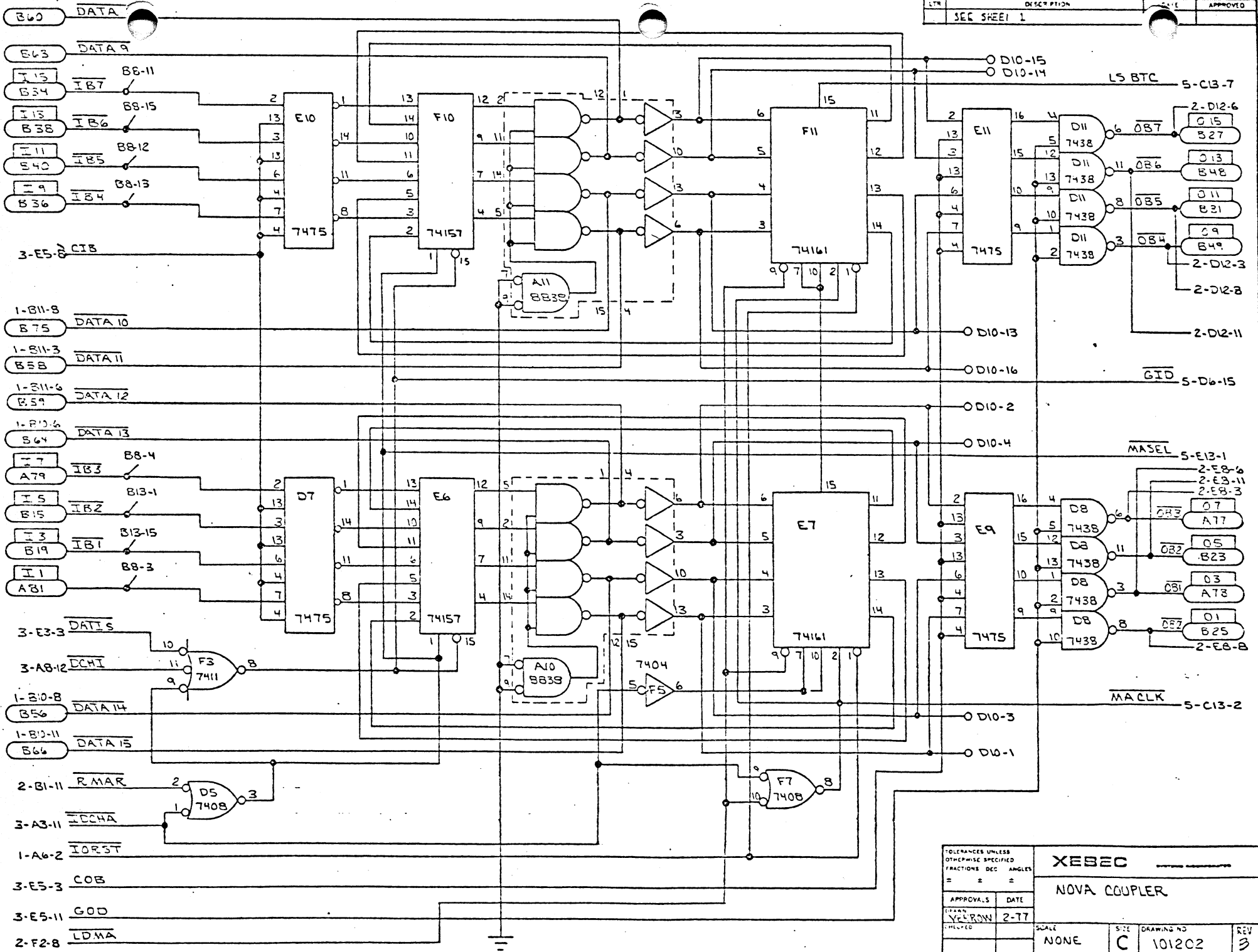
REVISIONS
DESCRIPTION
SEE SHEET 2

TOLERANCES UNLESS SPECIFIED: RESISTORS: 1% CAPACITORS: 5% ANGLES: 45°		DATE	APPROVALS	DESIGNER	INSTRUMENTS	ENCLOSURE	APP.
XEBEC SYSTEMS INCORPORATED		2-77					
TITLE	NOVA COUPLER	SCALE	NONE	SIZE	C	DRAWING NO.	10202
DO NOT SCALE DRAWING		SHEET		2		CF 6	

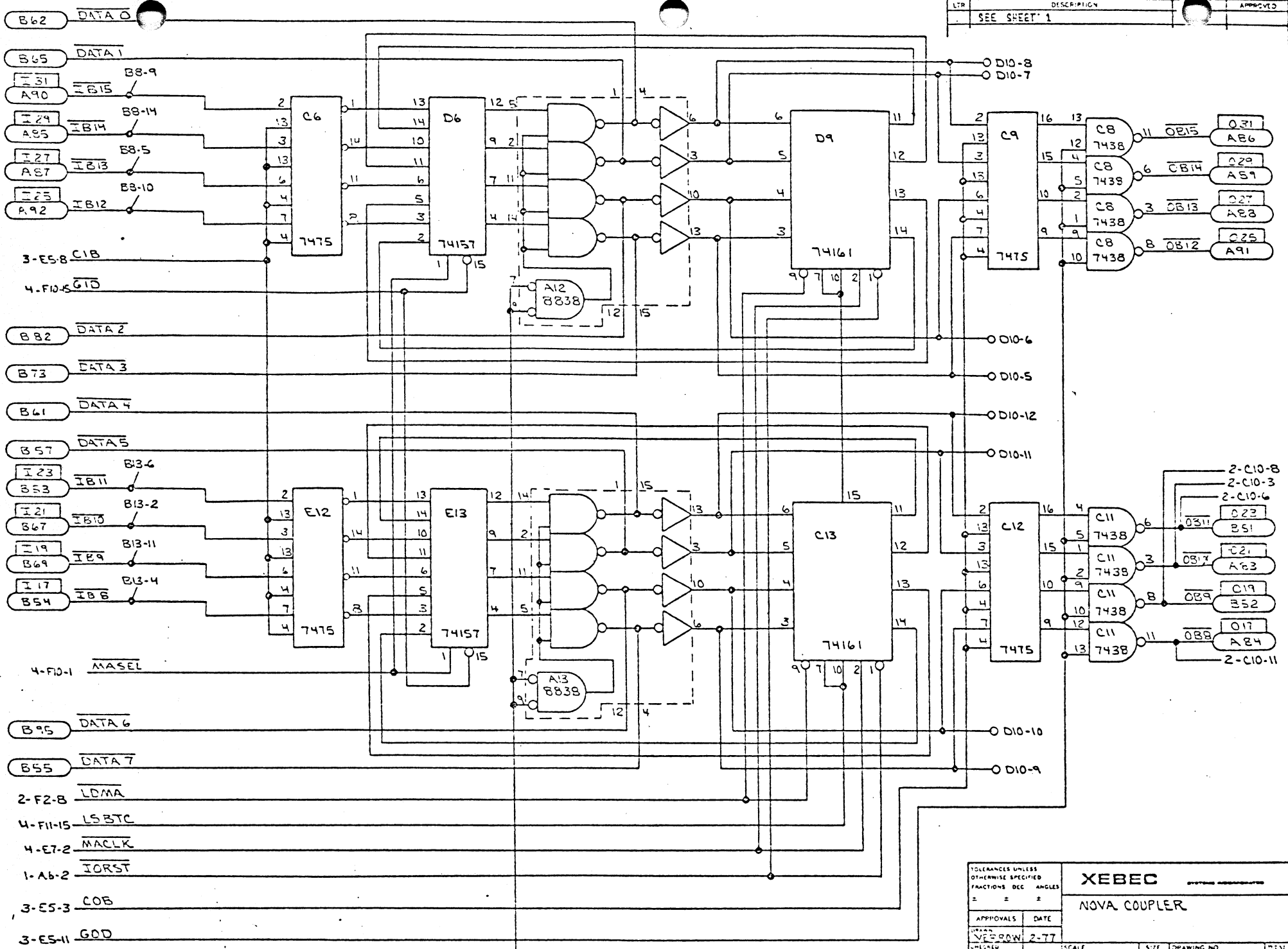


XEBEC		SYSTEMS INCORPORATED	
TITLE NOVA COUPLER			
TOLERANCE UNLESS SPECIFIED:	DATE	APPROVALS	REV
DIM: .XX	1	DATE: FEBRUARY 2, 1977	D
ANGLE: 1°		CHECKED:	C
		SCALE: NONE	101202
		DO NOT SCALE DRAWING	SHEET 3 OF 6

REVISED: SEE SHEET 1



TOLERANCES UNLESS OTHERWISE SPECIFIED FRACTIONS DEC ANGLES = ± =		XEBEC		
APPROVALS		NOVA COUPLER		
DATE	DATE	SCALE	SIZE	DRAWING NO
2-77	2-77	NONE	C	101202
REV	REV	DO NOT SCALE DRAWING		SHEET 4 OF 6



TOLERANCES UNLESS OTHERWISE SPECIFIED		XEBEC	
FRACTIONS DEC ANGLES		SYSTEM ABBREVIATIONS	
= = =		NOVA COUPLER	
APPROVALS	DATE	SCALE	SIZE
DESIGNED BY	DATE	NONE	C
CHECKED	DATE	DRAWING NO	REV
		101202	B
		DO NOT SCALE DRAWING	
		SHEET 5 OF 6	


REVISIONS			
LTR	DESCRIPTION	DATE	APPROVED
SEE SHEET 1			

IC VOLTAGE REFERENCE					
DEVICE	V _{CC}	GND	DEVICE	V _{CC}	GND
7400	14	7	7474	14	7
7402	14	7	7475	5	12
7404	14	7	74157	16	8
7408	14	7	74161	16	8
7410	14	7	75451	8	4
7411	14	7	8160	16	8
7420	14	7	8223	16	8
7421	14	7	8837	16	8
7432	14	7	8838	16	8
7437	14	7	9602	16	8
7438	14	7	RES.PAK	16	8

REF DES	
LAST USED	NOT USED
RES-R20	
CAP-C15	

NOTES: UNLESS OTHERWISE SPECIFIED.

1. ALL RESISTOR VALUES ARE IN OHMS, 1/4 W, 5%.
2. ALL CAPACITANCE VALUES ARE IN MICROFARADS.

TOLERANCE UNLESS OTHERWISE SPECIFIED DEC .XX .020 DEC .XXX .005 ANGLES 1°					
APPROVALS	DATE				
DRAWN V. J. SWAN	2-77	NOVA COUPLER			
CHECKED		SCALE	SIZE	DRAWING NO.	REV
APP		-	C	101202	B
		DO NOT SCALE DRAWING SHEET 6 OF 6			