

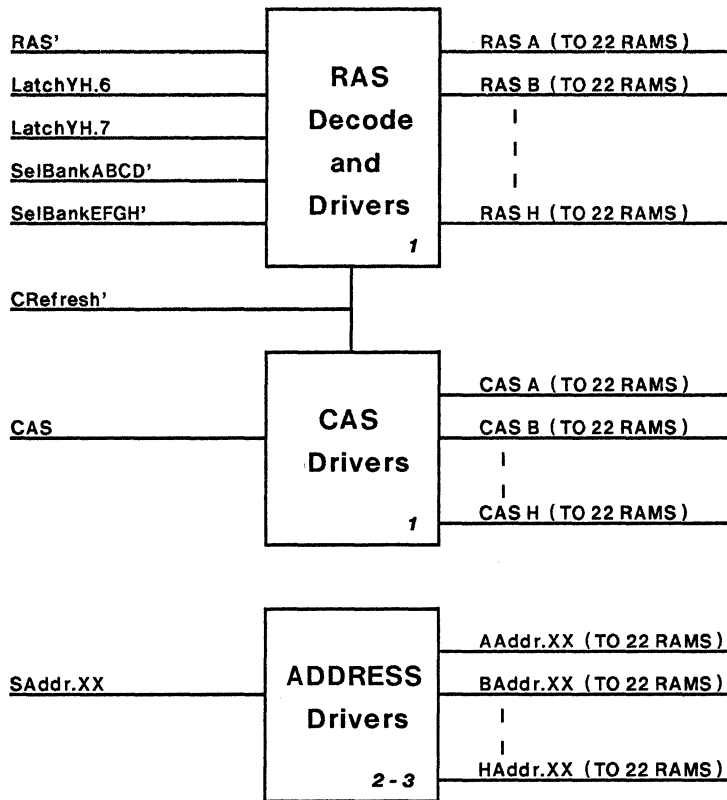
TABLE OF CONTENTS

SHEET

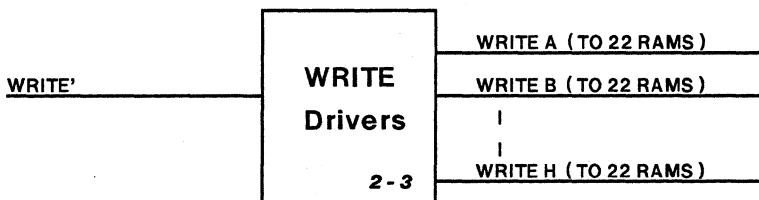
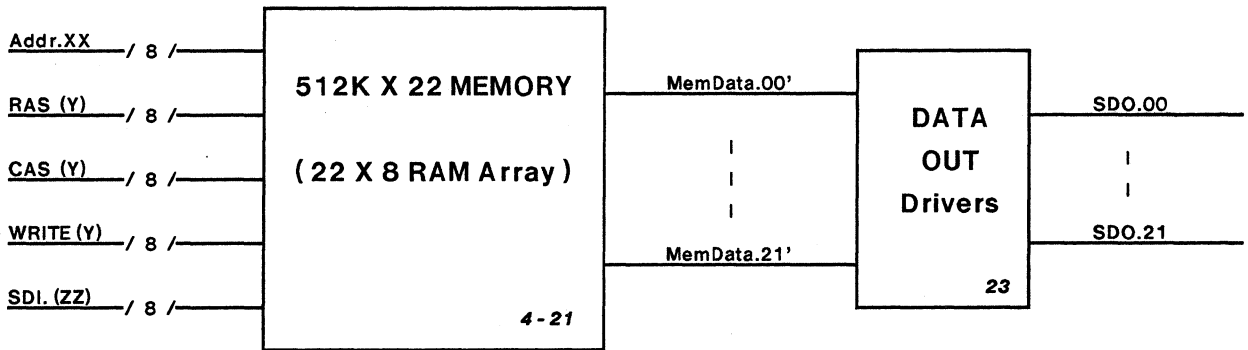
0.4	MEMORY STORAGE CARD BLOCK DIAGRAM
1.	BANK SELECTION, CAS' AND RAS' DRIVERS
2.	ADDRESS DRIVERS: BANK A, B, C, D
3.	ADDRESS DRIVERS: BANK E, F, G, H
4.	BANK A: AADDR.00'-07', CASA', RASA', WRITEA'
5.	BANK A: AADDR.00'-07', CASA', RASA', WRITEA'
6.	BANK B: BADDR.00'-07', CASB', RASB', WRITEB'
7.	BANK B: BADDR.00'-07', CASB', RASB', WRITEB'
8.	BANK C: CADDR.00'-07', CASC', RASC', WRITEC'
9.	BANK C: CADDR.00'-07', CASC', RASC', WRITEC'
10.	BANK D: DADDR.00'-07', CASD', RASD', WRITED'
11.	BANK D: DADDR.00'-07', CASD', RASD', WRITED'
12.	BANK E: EADDR.00'-07', CASE', RASE', WRITEE'
13.	BANK E: EADDR.00'-07', CASE', RASE', WRITEE'
14.	BANK F: FADDR.00'-07', CASF', RASF', WRITEF'
15.	BANK F: FADDR.00'-07', CASF', RASF', WRITEF'
16.	BANK G: GADDR.00'-07', CASG', RASG', WRITEG'
17.	BANK G: GADDR.00'-07', CASG', RASG', WRITEG'
18.	BANK H: HADDR.00'-07', CASH', RASH', WRITEH'
19.	BANK H: HADDR.00'-07', CASH', RASH', WRITEH'
20.	DATA SECTION: BANK A, B, C, D
21.	DATA SECTION: BANK E, F, G, H
22.	DATA INPUT BUFFERS
23.	DATA OUTPUT BUFFERS
24.	RESISTORS
25.	RESISTORS
26.	RESISTORS AND R-DIPS
27.	TEST POINTS
28.	CAPS AND FUSE
29.	FILTER CAPS
30.	FILTER CAPS
31.	FILTER CAPS
32.	TEST POINT, EDGE CONNECTOR, AND SIGNAL LISTINGS

Note: The issued schematic drawing, 156P12068, is made from [Rain]<SMod>MSCX1.dmASIL-A equivalent to [Rain]<SMod>pMSCX.dmASIL-D after electrical reference designator re-identification

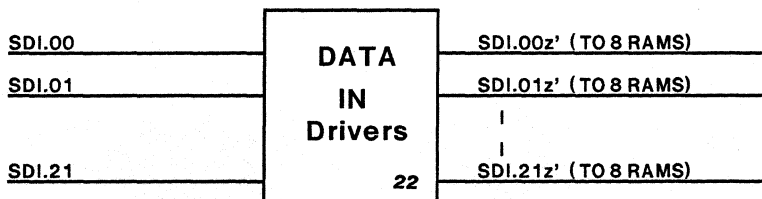
XEROX	PROPRIETARY NOTE ON COVER SHEET APPLIES TO ALL SHEETS	DWG SIZE A4	DWG NO. 156P12068	SHEET REV. A
	TITLE SCHEMATIC, MSC-X		SHEET 0.3 OF	



[Note : XX = 00 Thru 07]

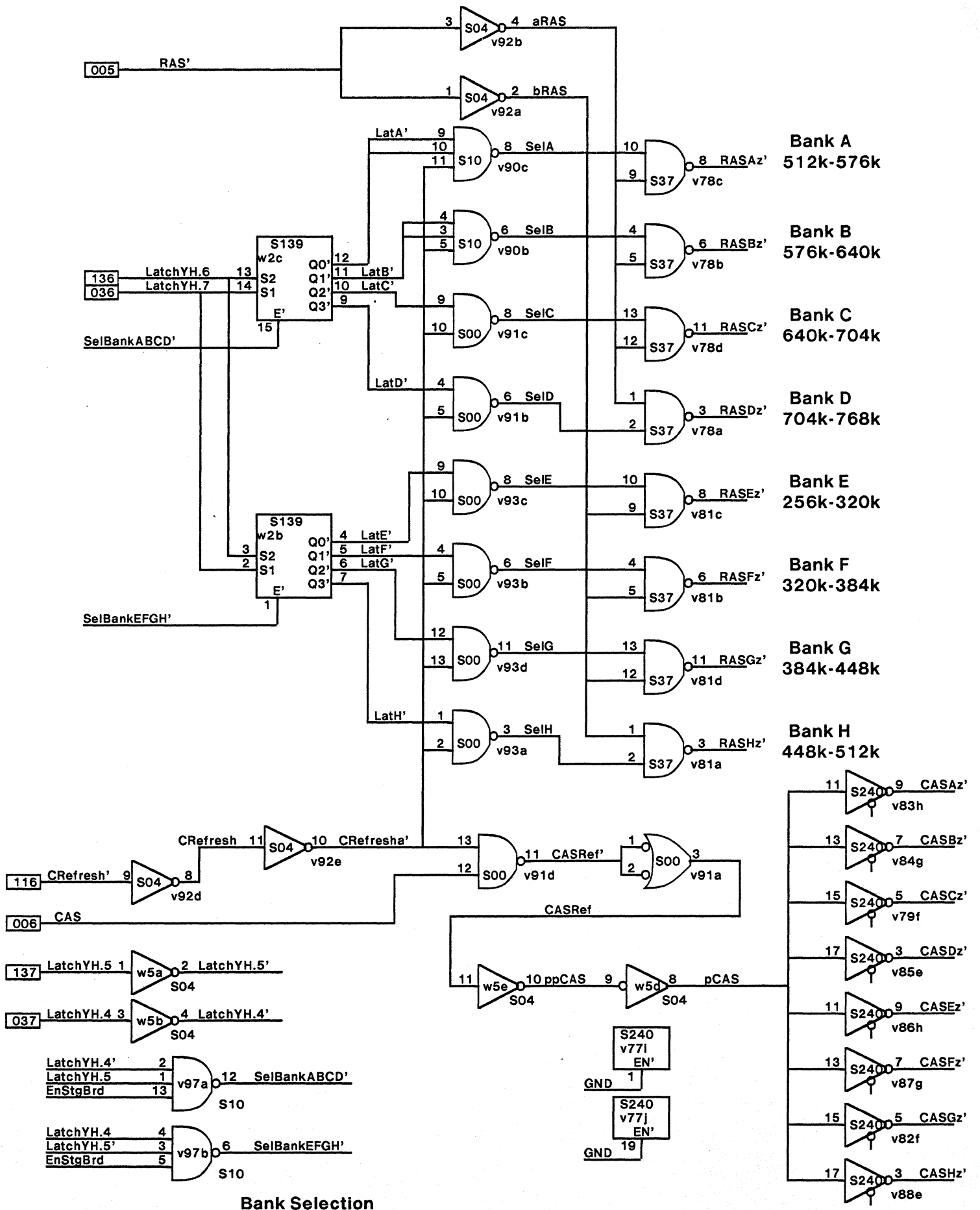


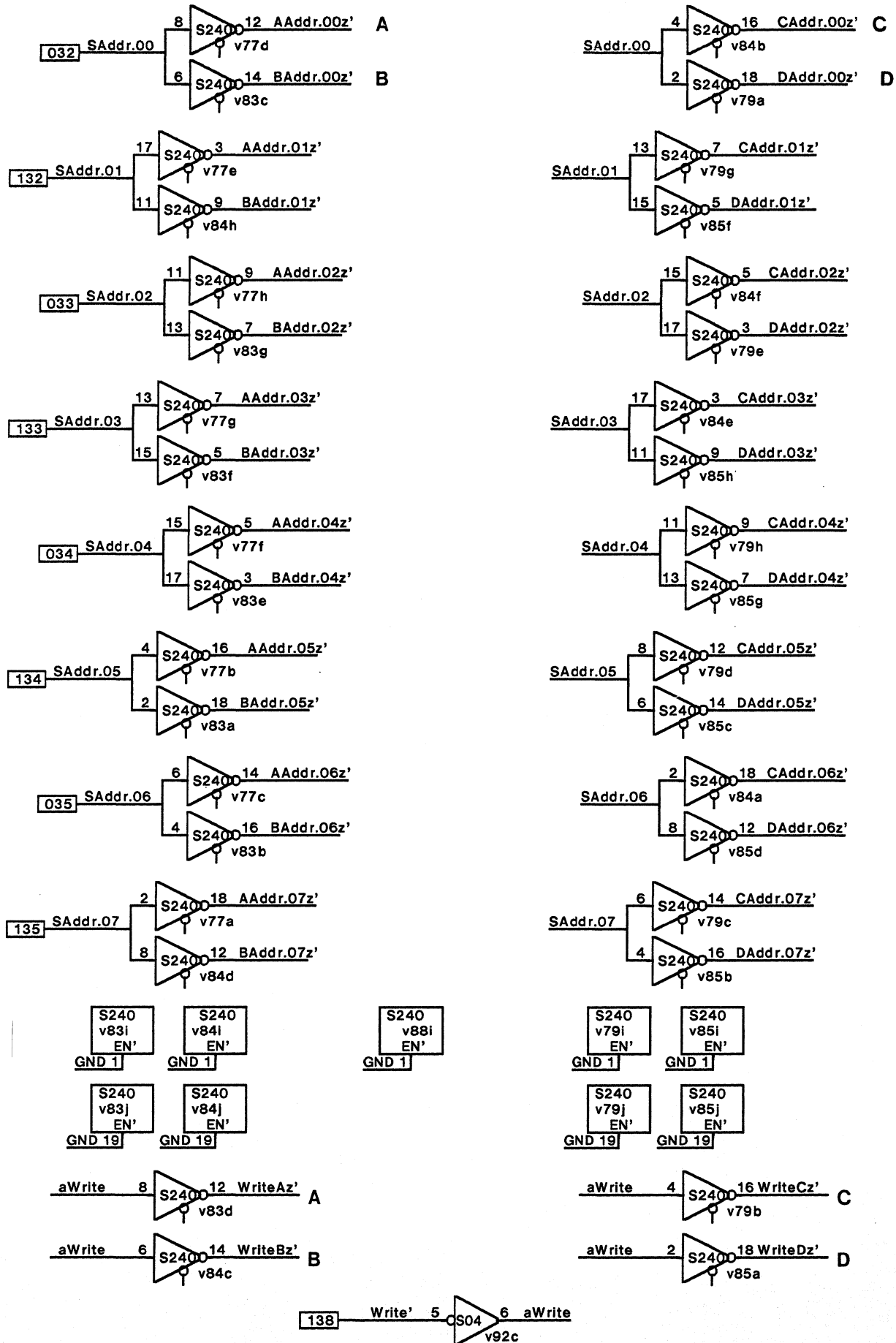
NOTE : NUMBER IN LOWER RIGHT
 CORNER OF BOX IS PAGE
 NUMBER OF LOGIC DRAWING



**EXTENDED MEMORY STORAGE CARD
 BLOCK DIAGRAM**

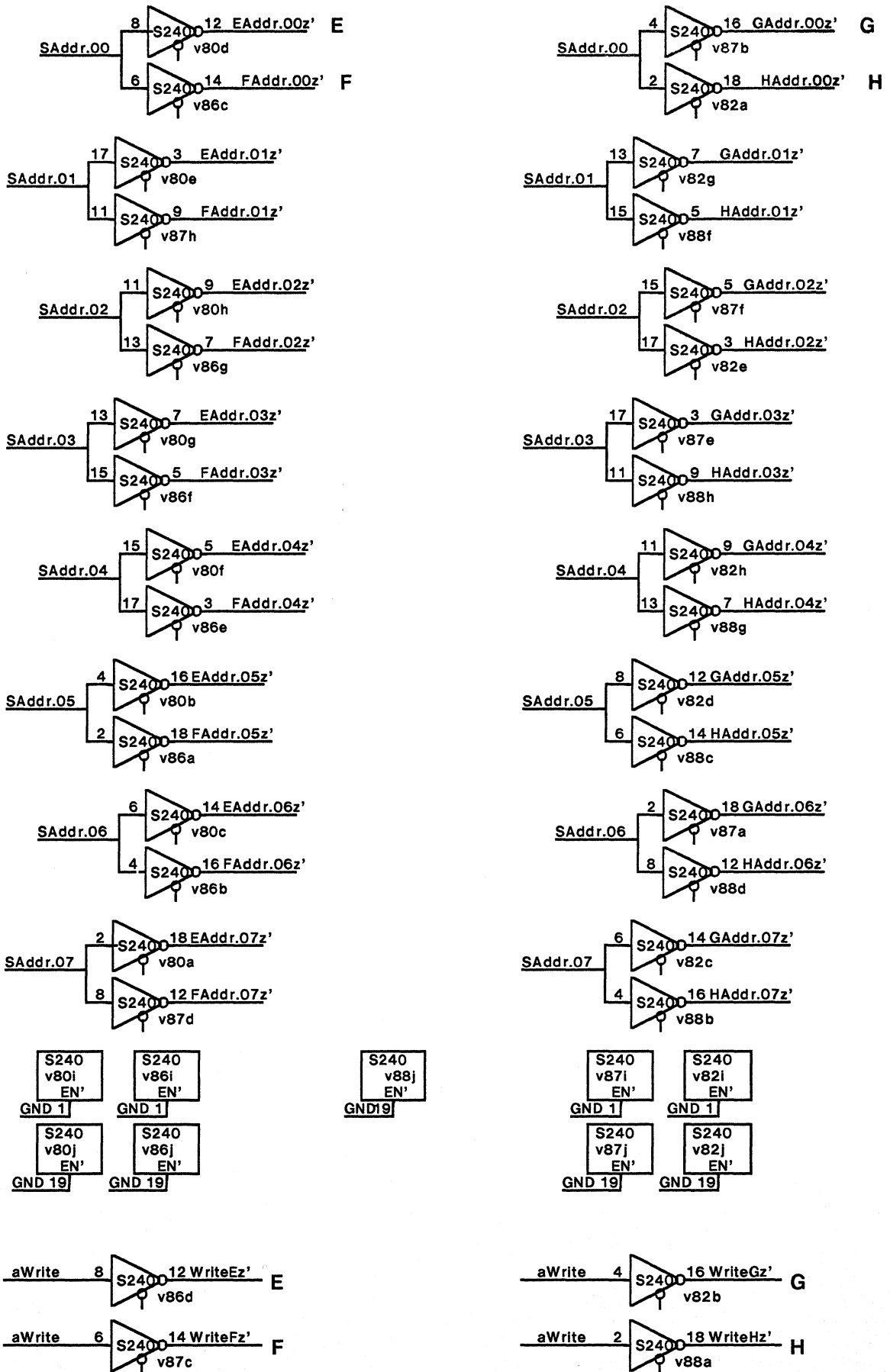
XEROX	PROPRIETARY NOTE ON COVER SHEET APPLIES TO ALL SHEETS	DWG SIZE A4	DWG NO. 156P12068	SHEET REV. A
	TITLE SCHEMATIC, MSC-X		SHEET 0.4 OF	





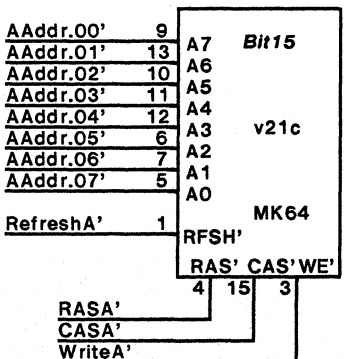
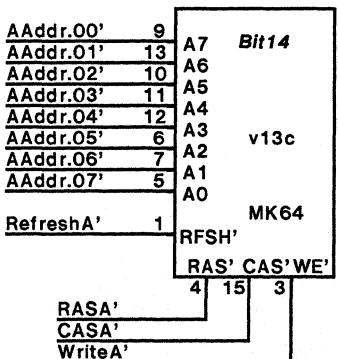
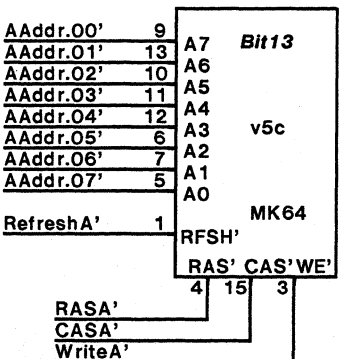
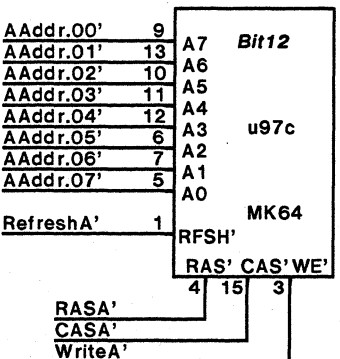
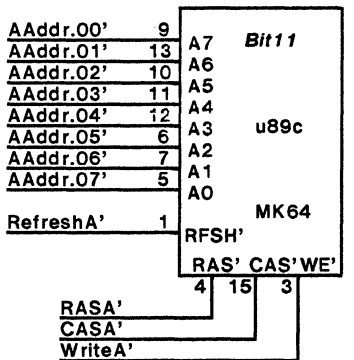
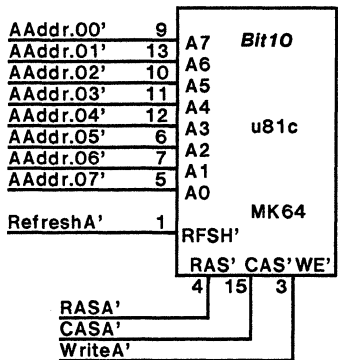
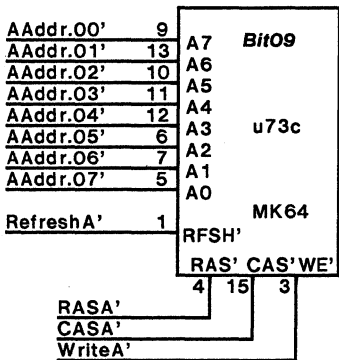
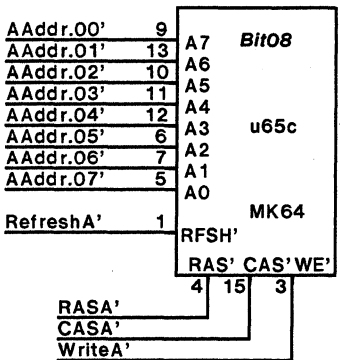
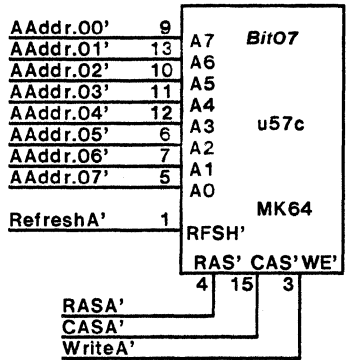
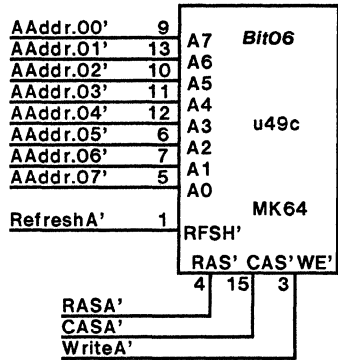
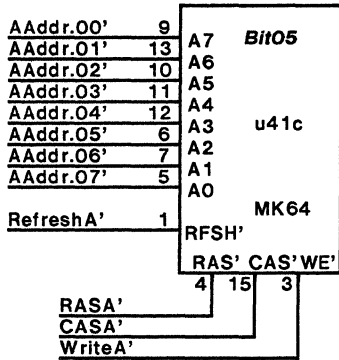
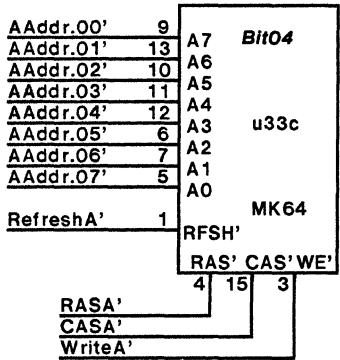
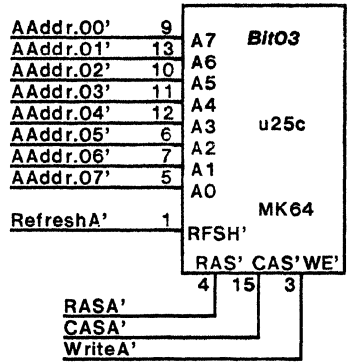
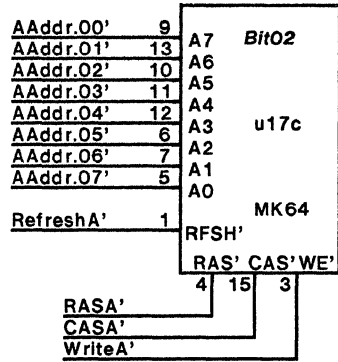
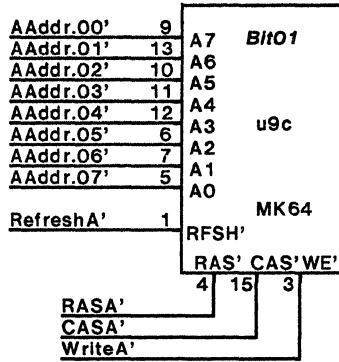
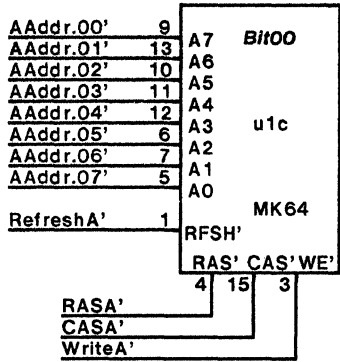
Address Drivers Bank A/B/C/D

XEROX	PROPRIETARY NOTE ON COVER SHEET APPLIES TO ALL SHEETS	DWG SIZE	DWG NO. 156P12068	SHEET REV.
	TITLE SCHEMATIC, MSC-X	A4	SHEET 02 OF	A

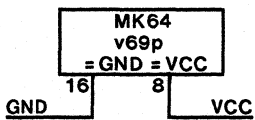
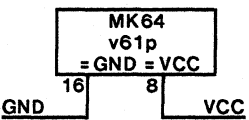
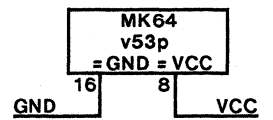
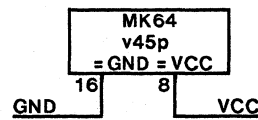
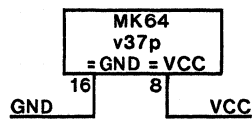
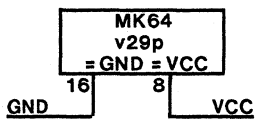
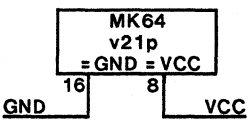
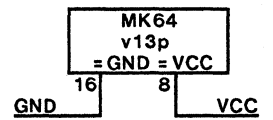
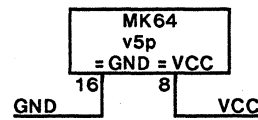
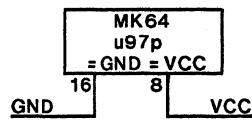
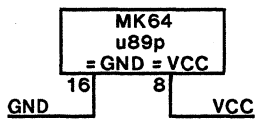
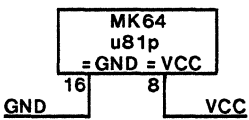
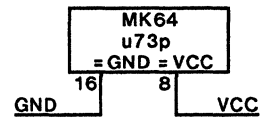
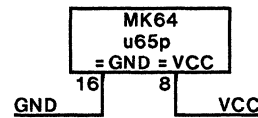
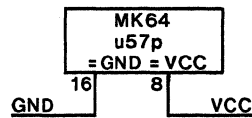
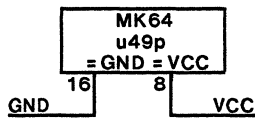
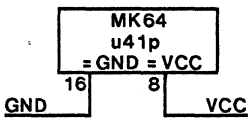
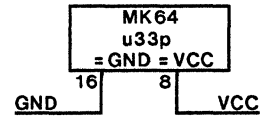
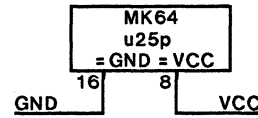
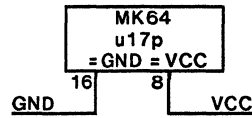
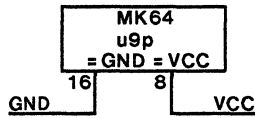
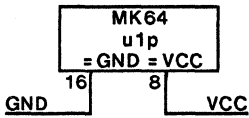
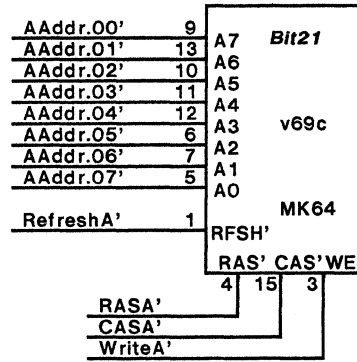
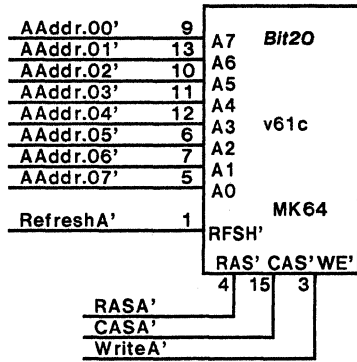
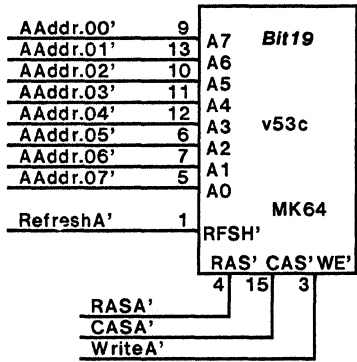
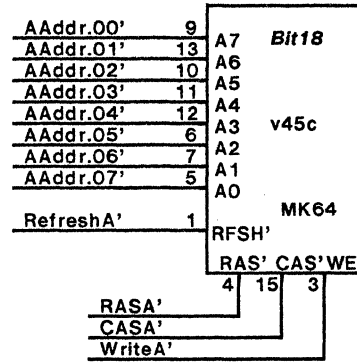
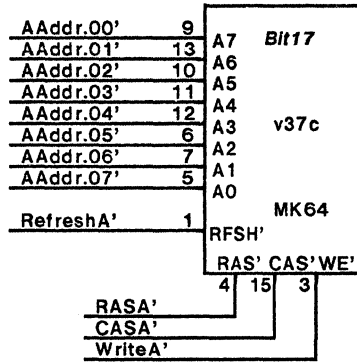
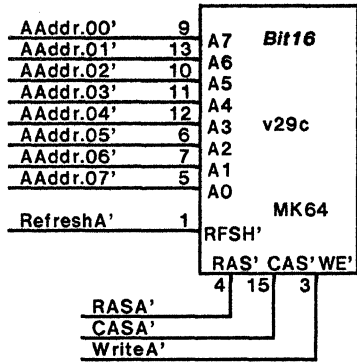


Address Drivers Bank E/F/G/H

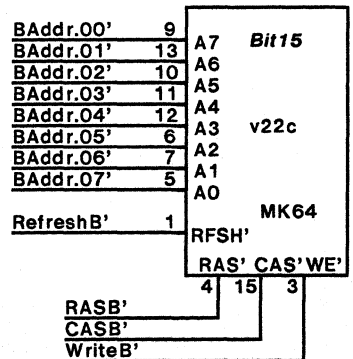
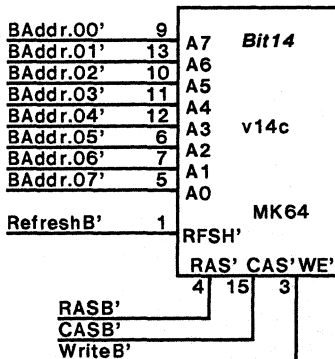
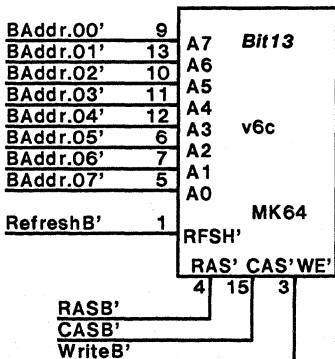
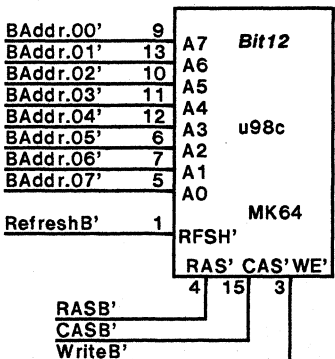
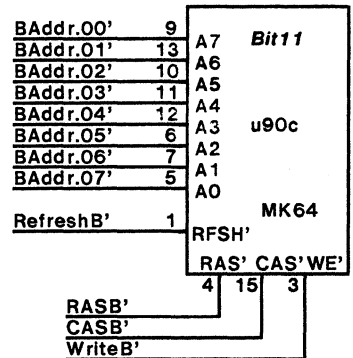
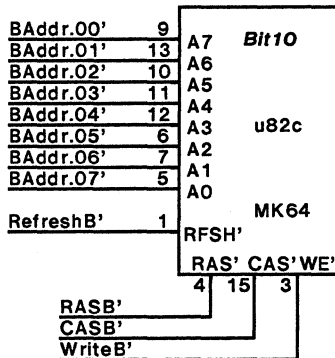
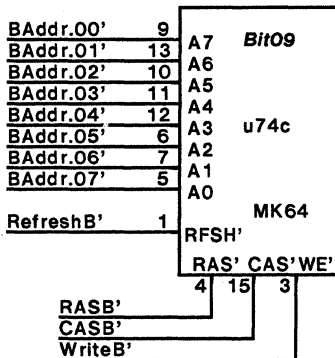
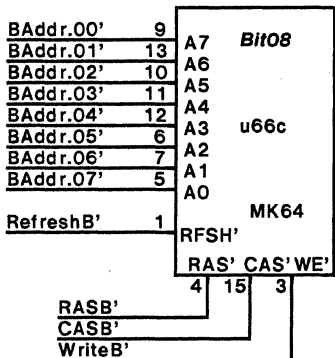
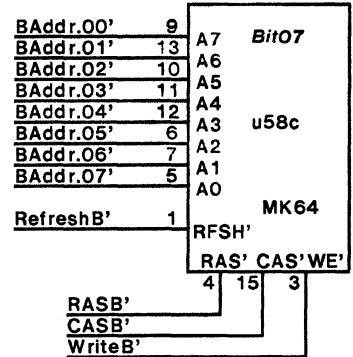
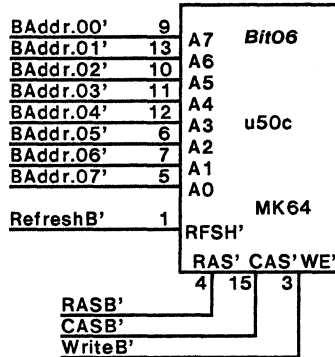
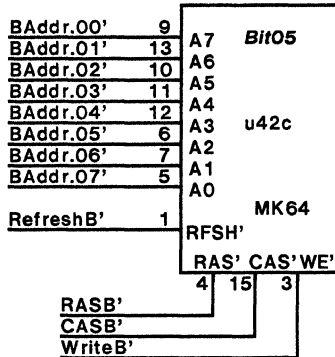
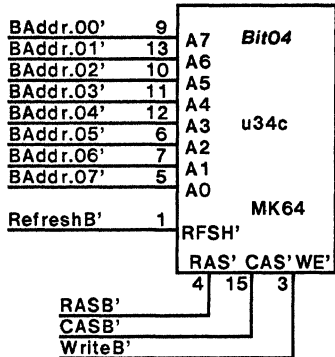
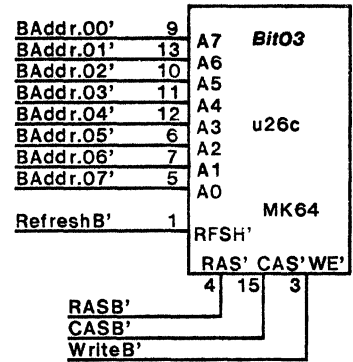
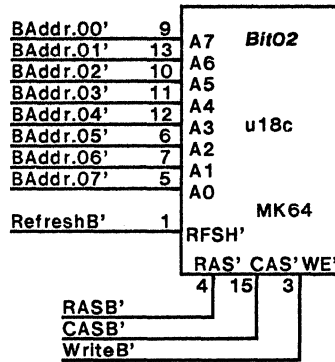
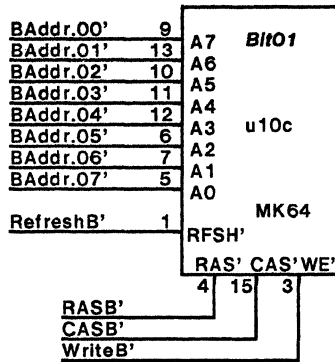
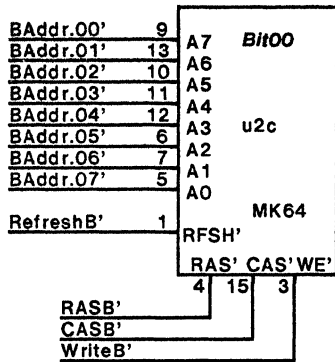
XEROX	PROPRIETARY NOTE ON COVER SHEET APPLIES TO ALL SHEETS	DWG SIZE	DWG NO. 156P12068	SHEET REV.
	TITLE SCHEMATIC, MSC-X	A4	SHEET 03 OF	A



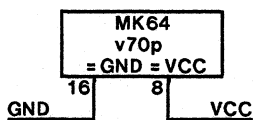
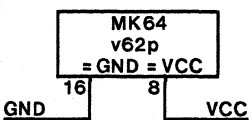
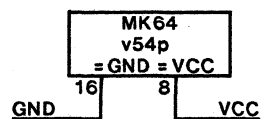
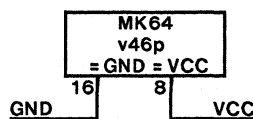
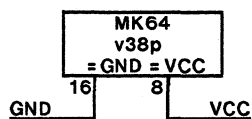
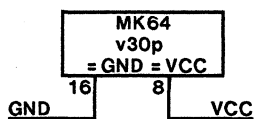
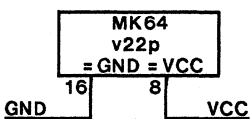
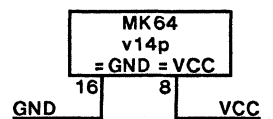
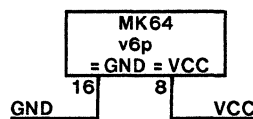
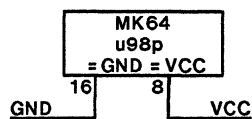
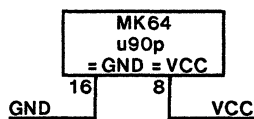
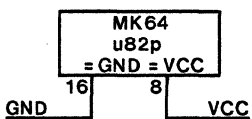
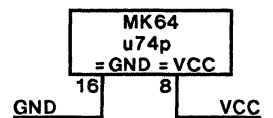
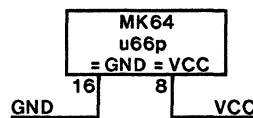
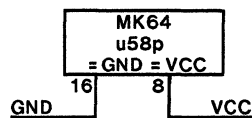
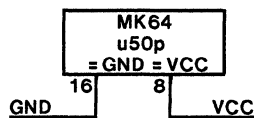
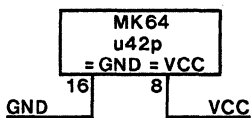
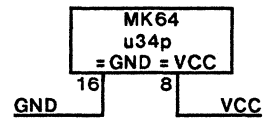
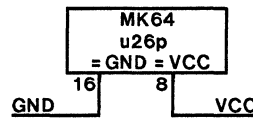
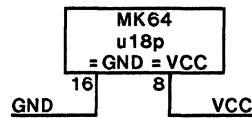
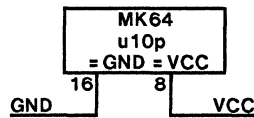
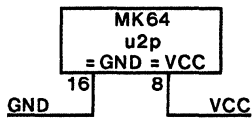
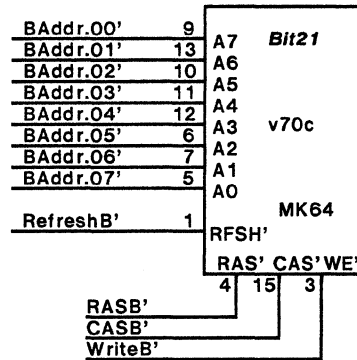
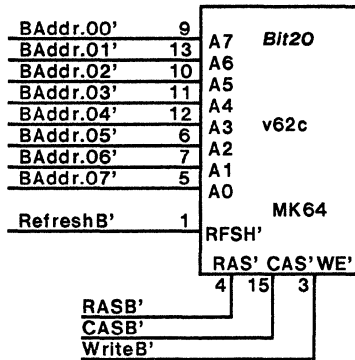
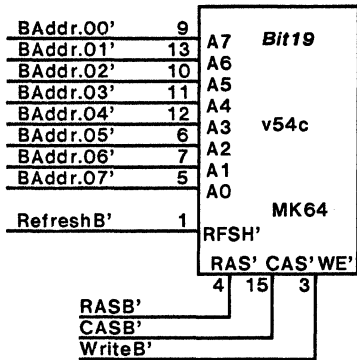
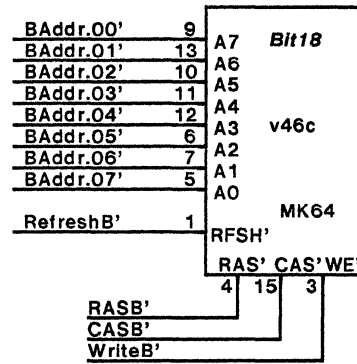
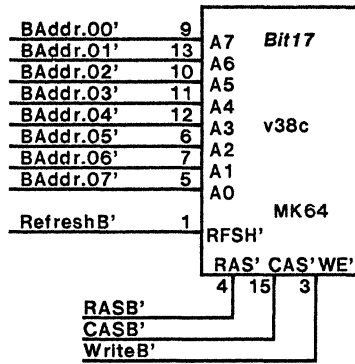
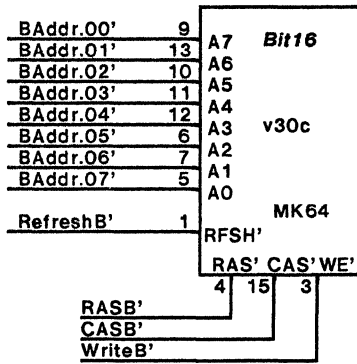
Bank A



Bank A

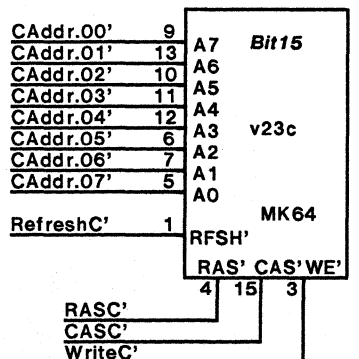
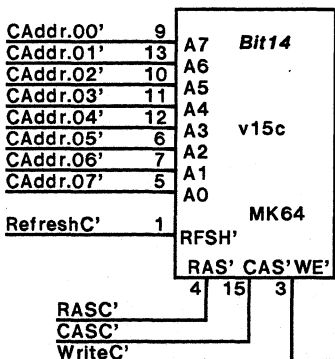
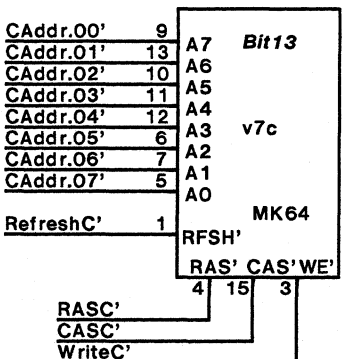
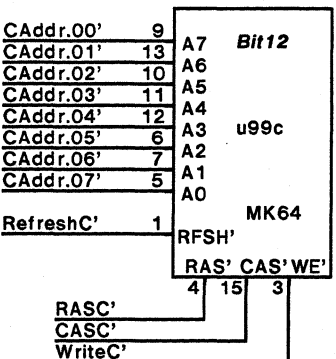
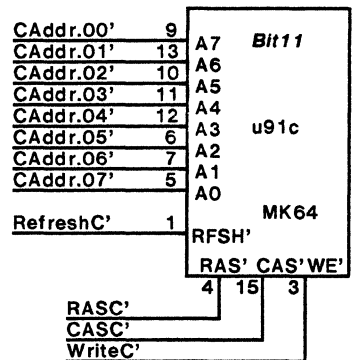
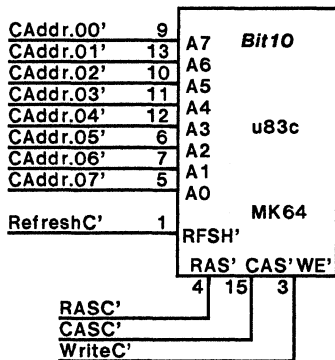
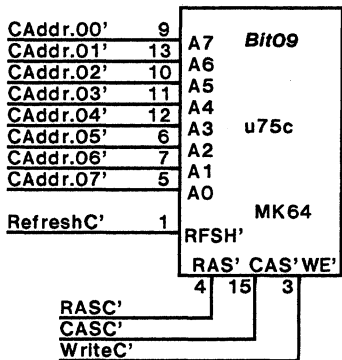
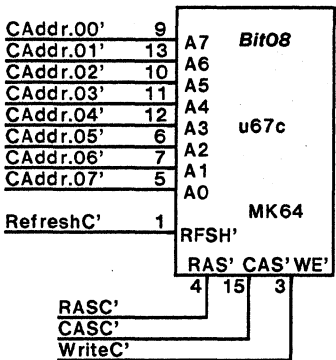
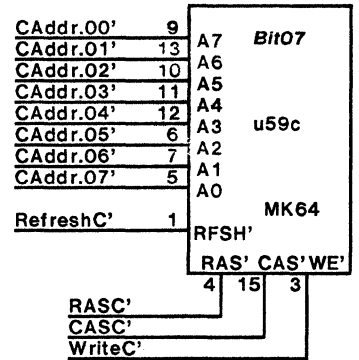
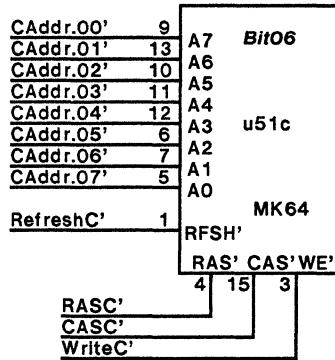
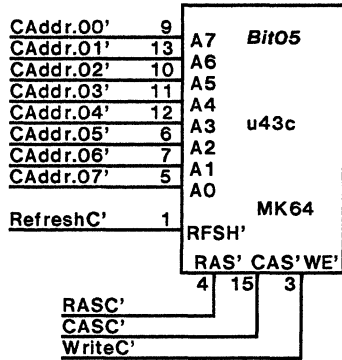
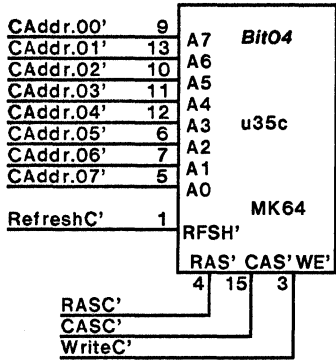
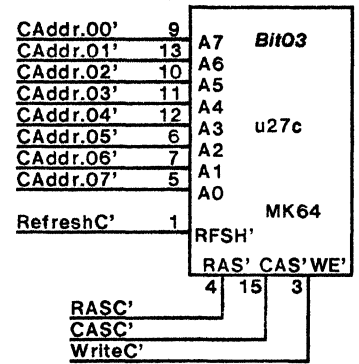
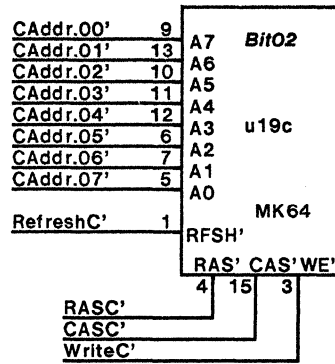
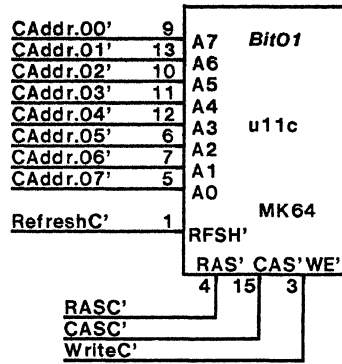
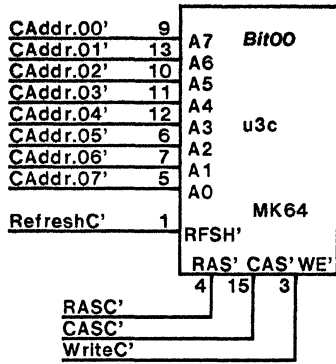


Bank B

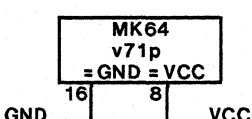
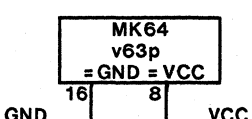
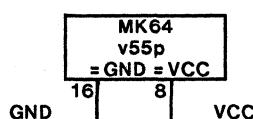
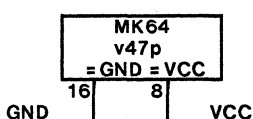
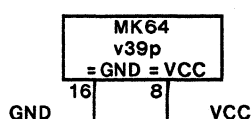
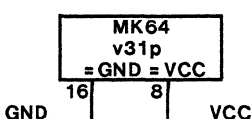
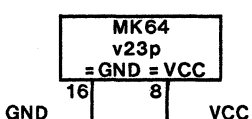
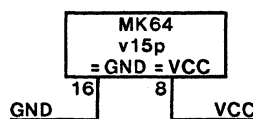
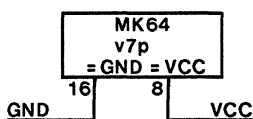
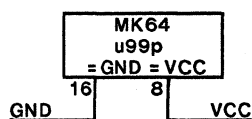
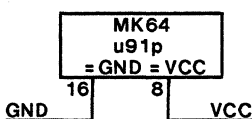
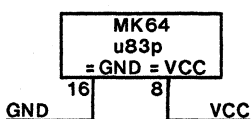
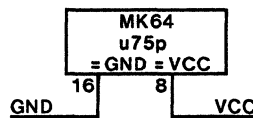
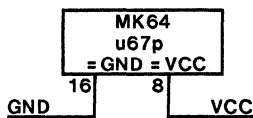
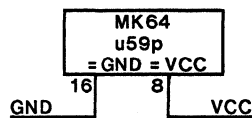
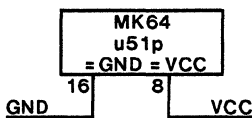
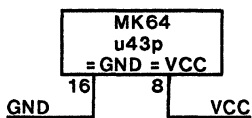
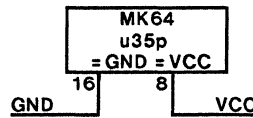
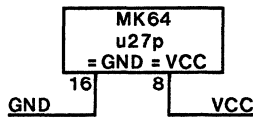
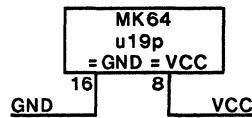
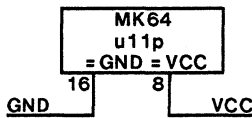
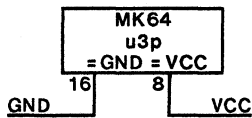
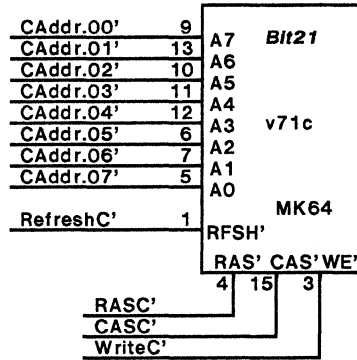
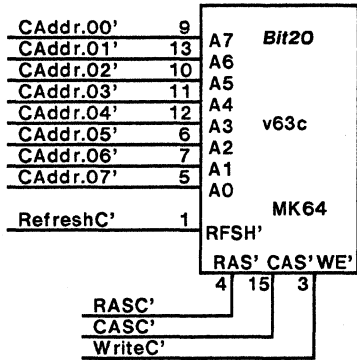
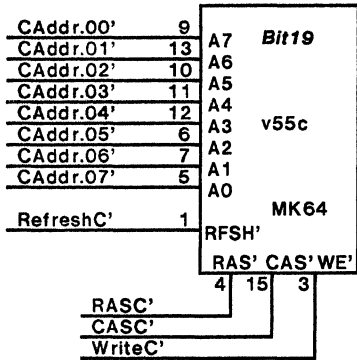
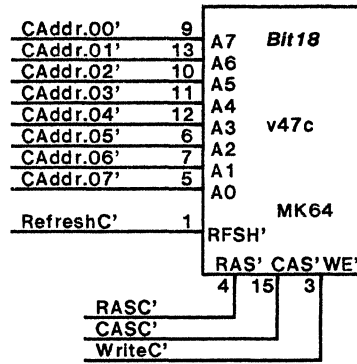
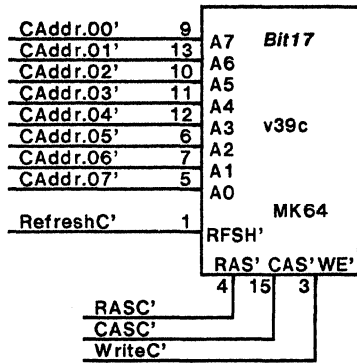
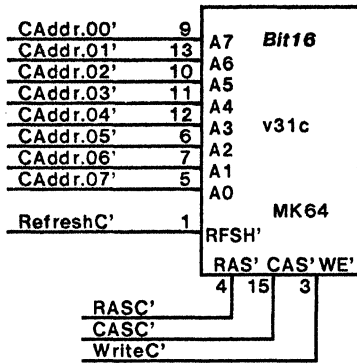


Bank B

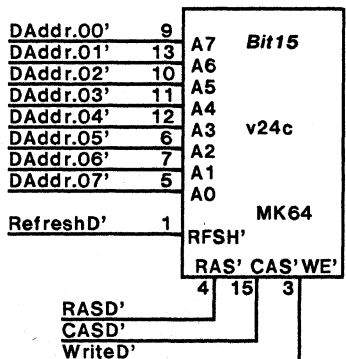
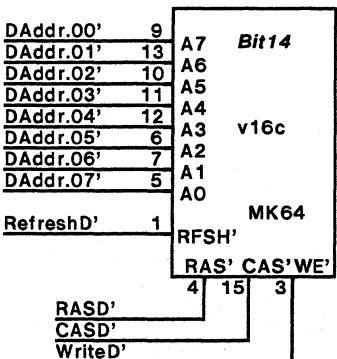
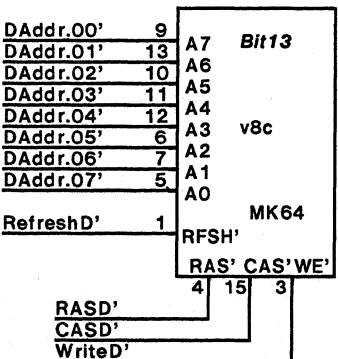
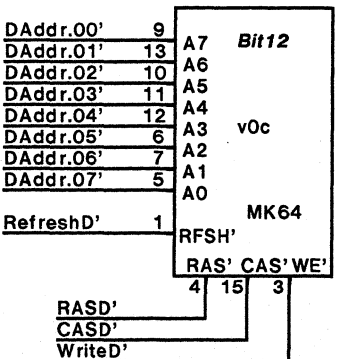
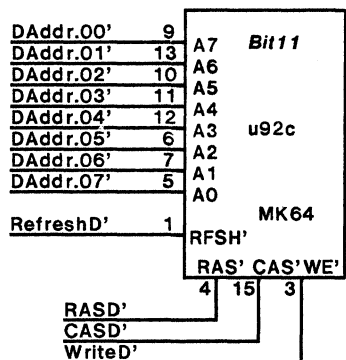
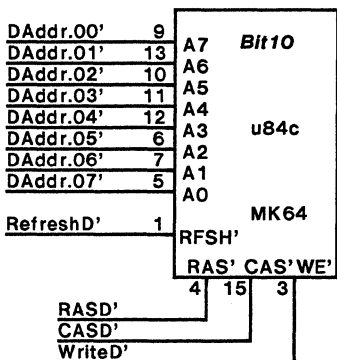
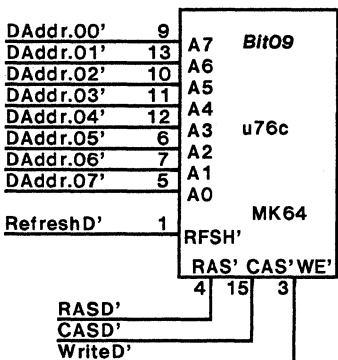
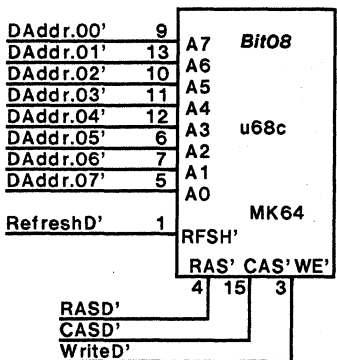
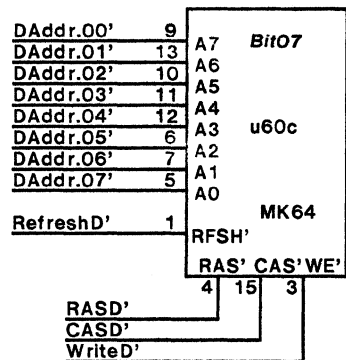
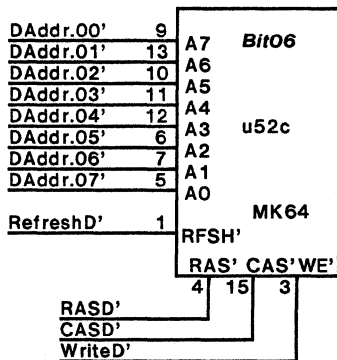
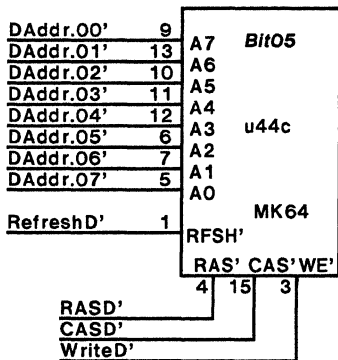
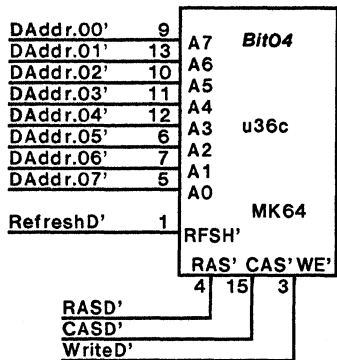
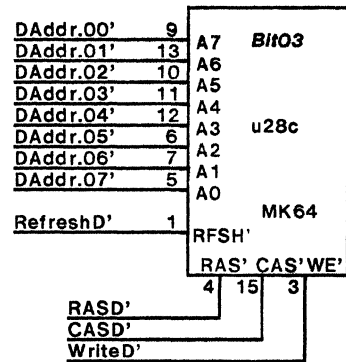
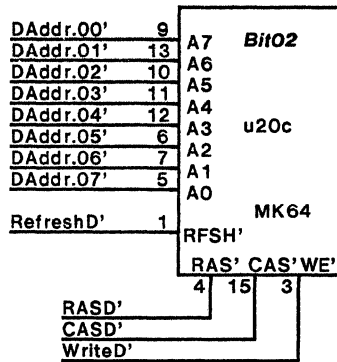
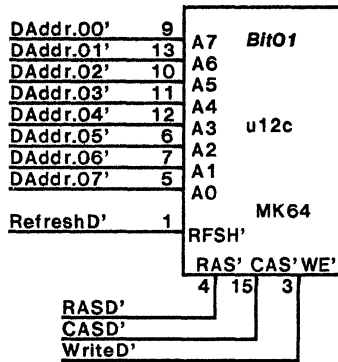
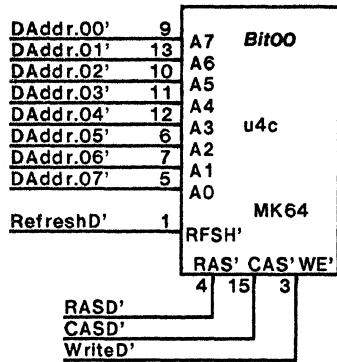
XEROX	PROPRIETARY NOTE ON COVER SHEET APPLIES TO ALL SHEETS		DWG SIZE	DWG NO. 156P12068	SHEET REV.
	TITLE SCHEMATIC, MSC-X		A4	SHEET 07 OF	A



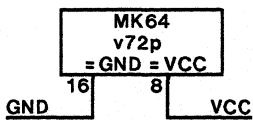
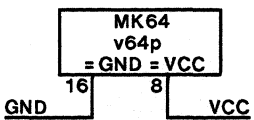
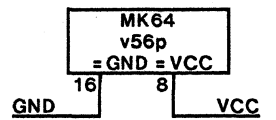
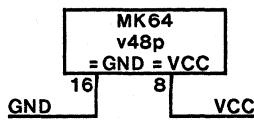
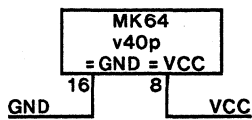
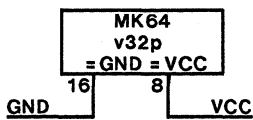
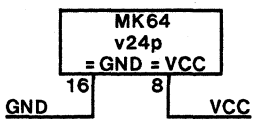
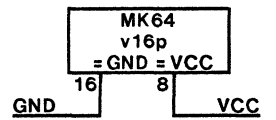
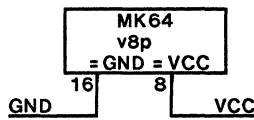
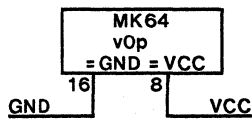
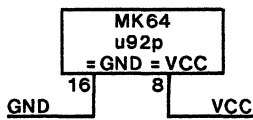
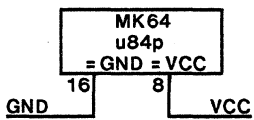
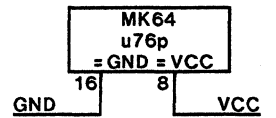
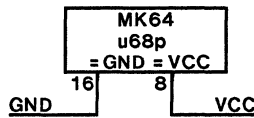
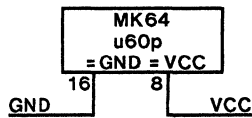
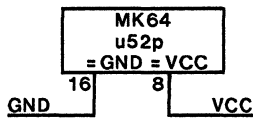
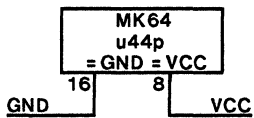
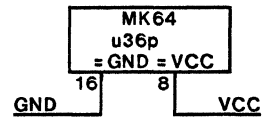
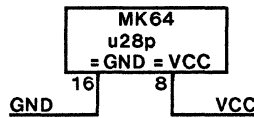
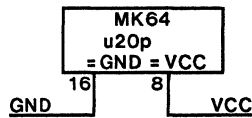
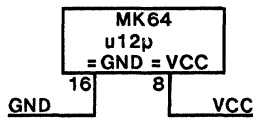
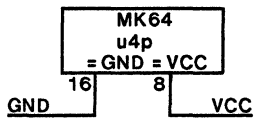
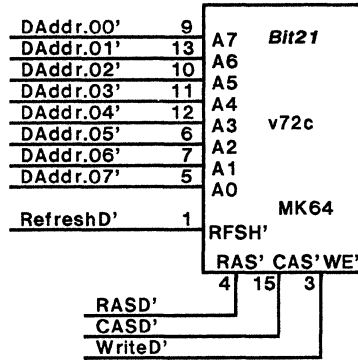
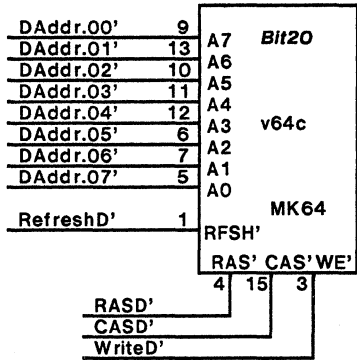
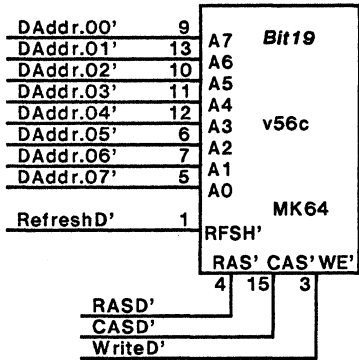
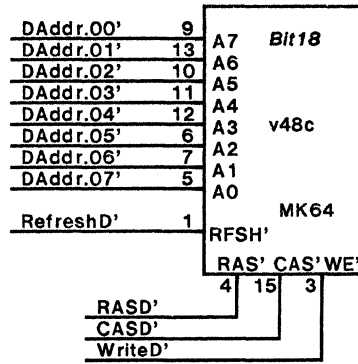
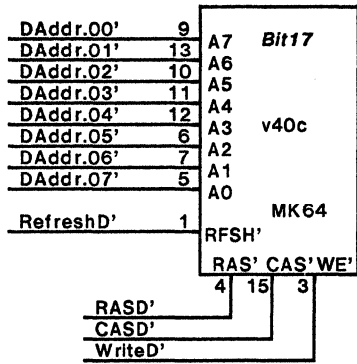
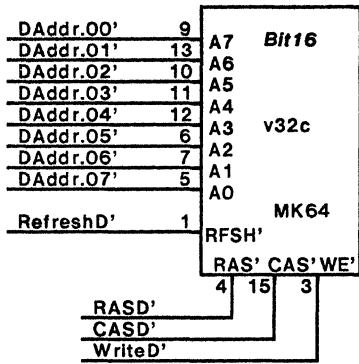
Bank C



Bank C

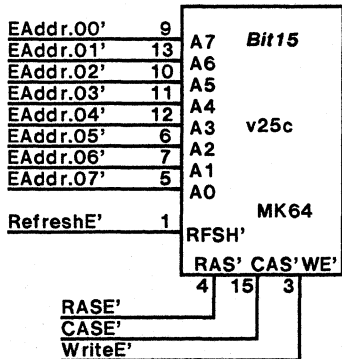
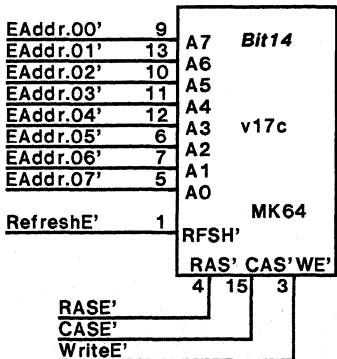
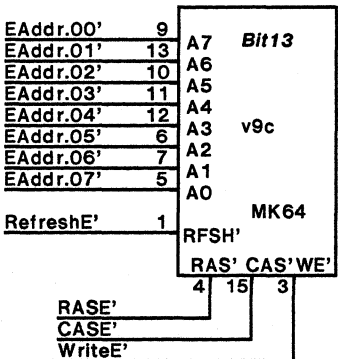
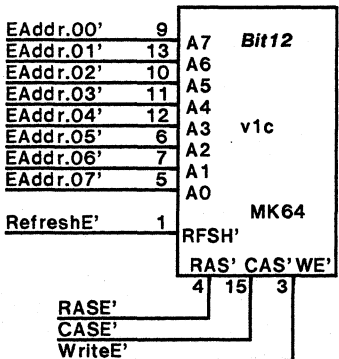
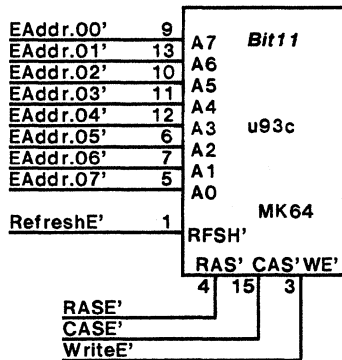
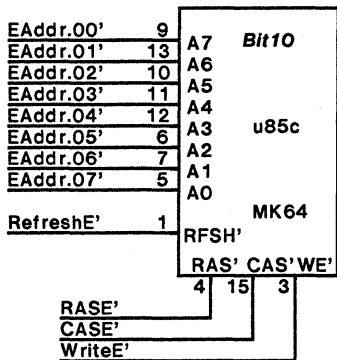
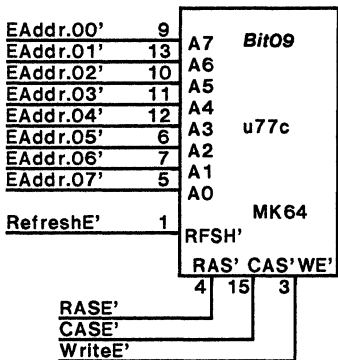
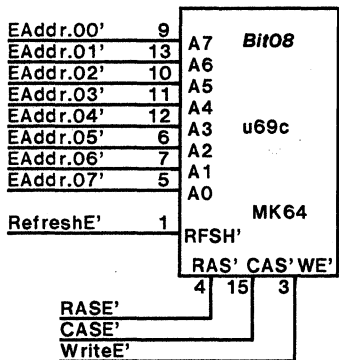
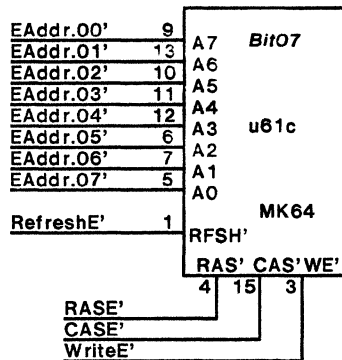
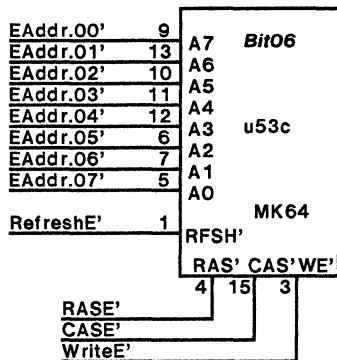
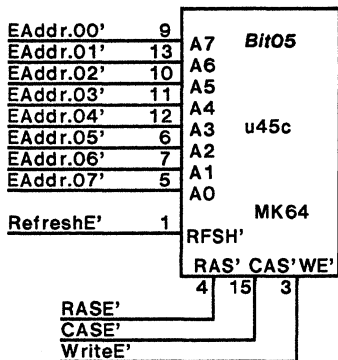
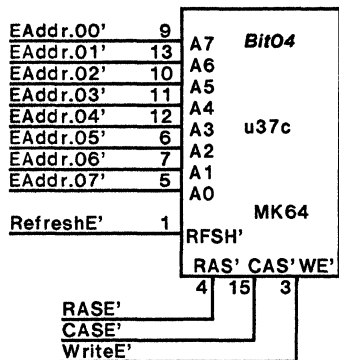
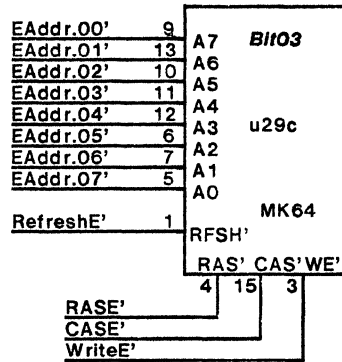
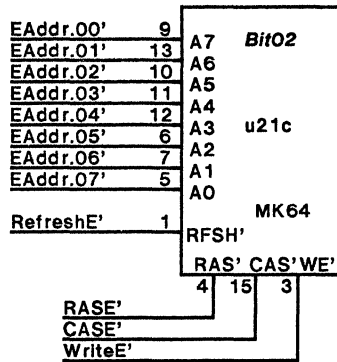
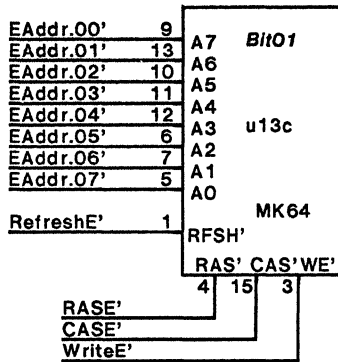
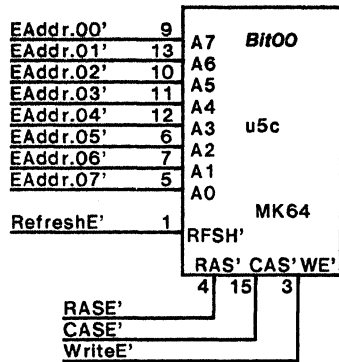


Bank D

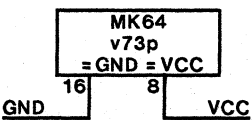
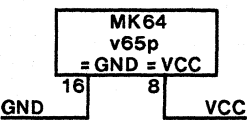
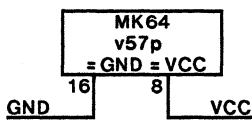
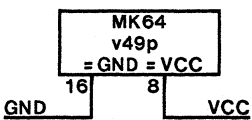
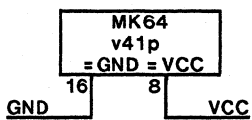
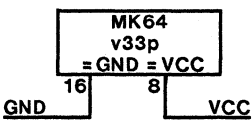
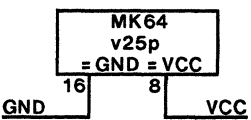
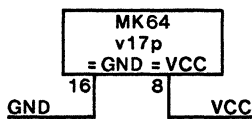
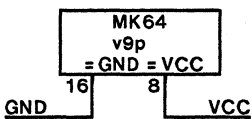
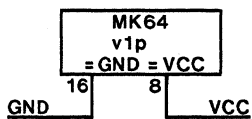
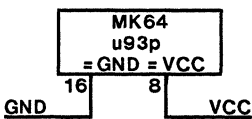
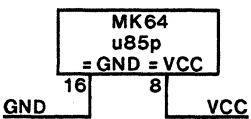
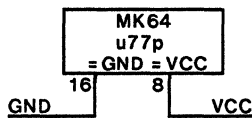
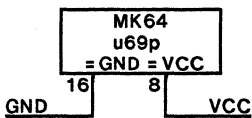
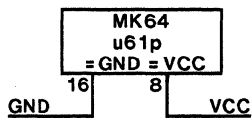
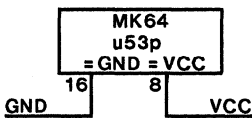
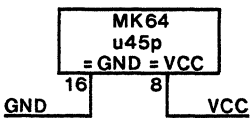
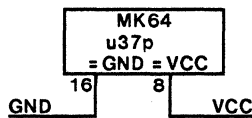
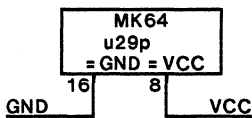
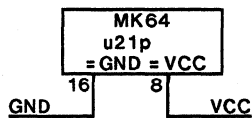
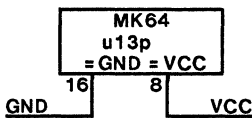
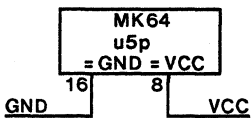
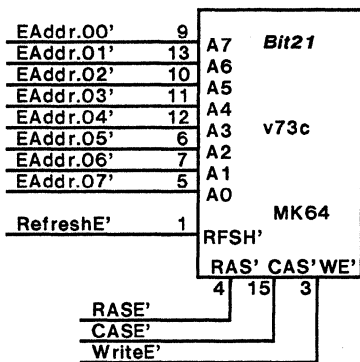
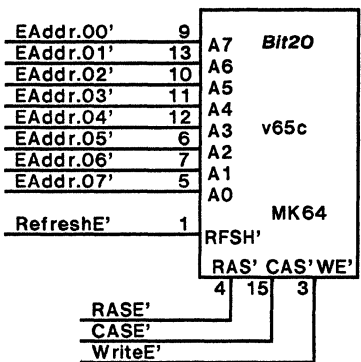
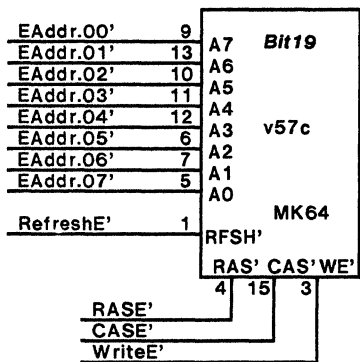
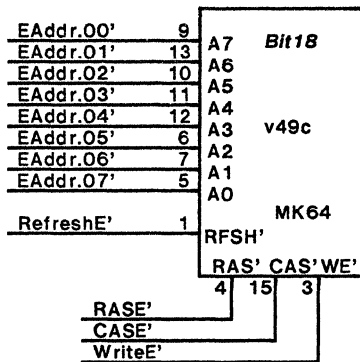
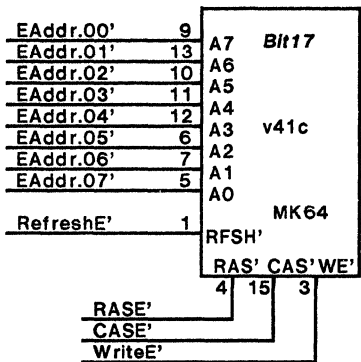
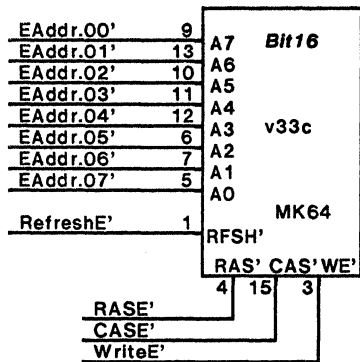


Bank D

XEROX	PROPRIETARY NOTE ON COVER SHEET APPLIES TO ALL SHEETS	DWG SIZE	DWG NO. 156P12068	SHEET REV.
	TITLE SCHEMATIC, MSC-X	A4	SHEET 11 OF	A

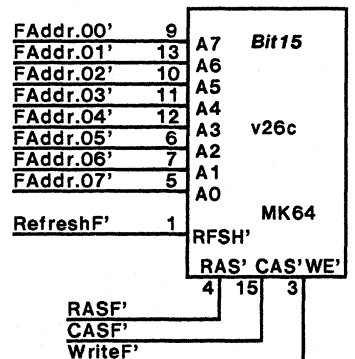
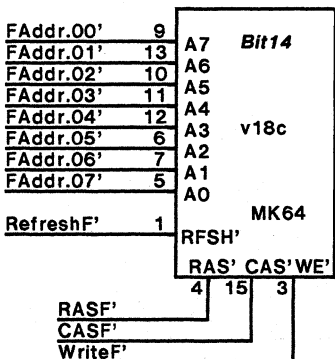
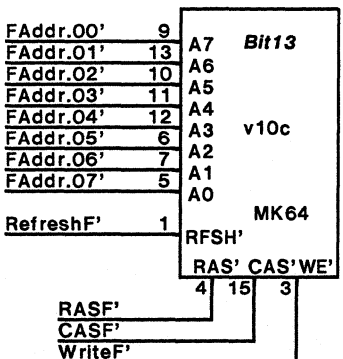
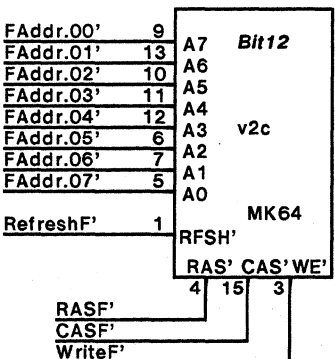
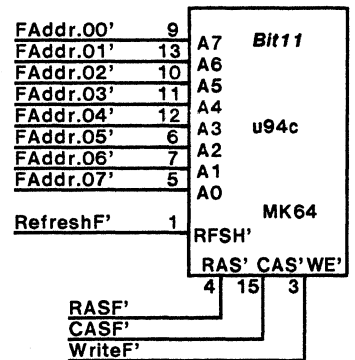
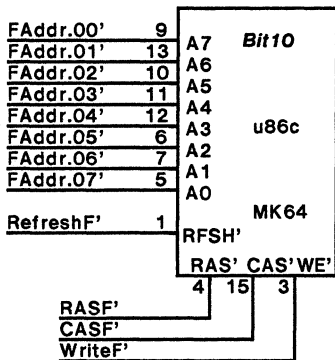
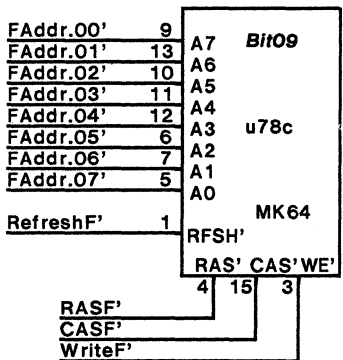
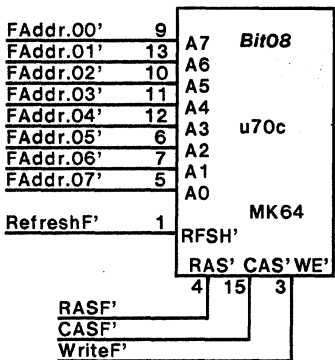
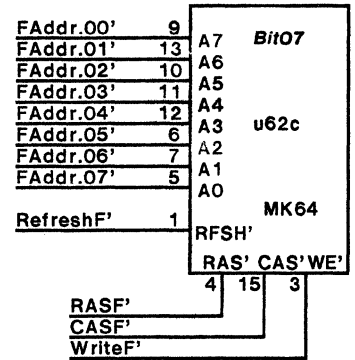
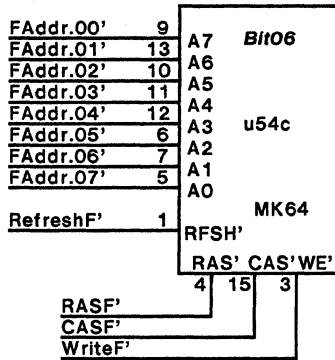
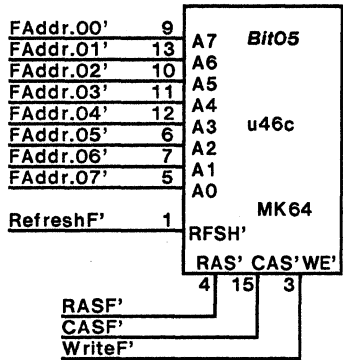
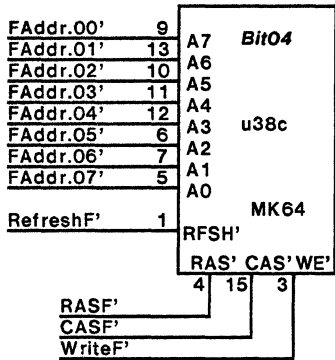
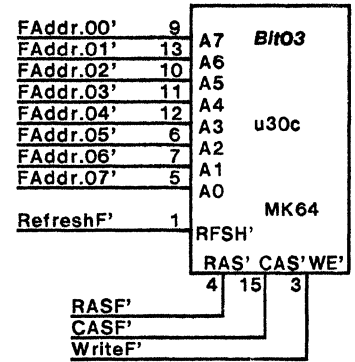
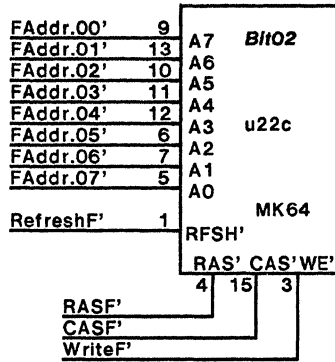
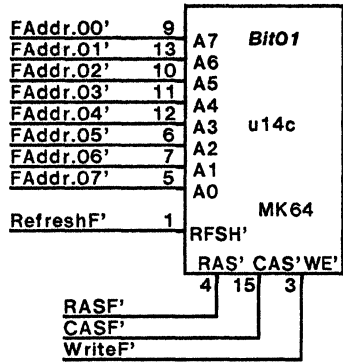
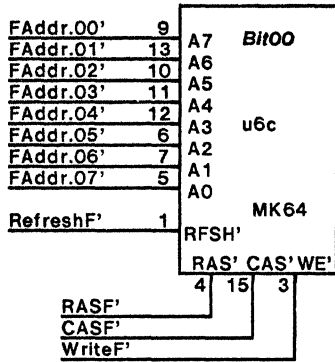


Bank E

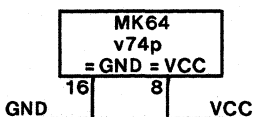
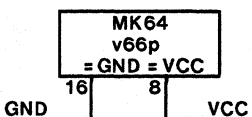
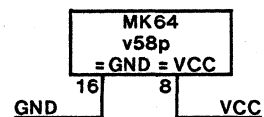
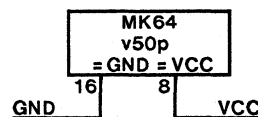
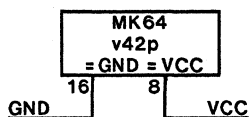
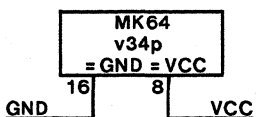
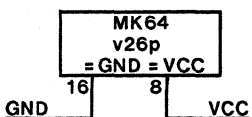
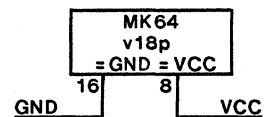
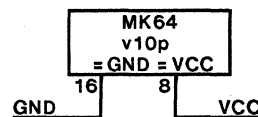
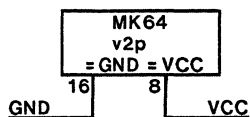
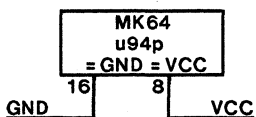
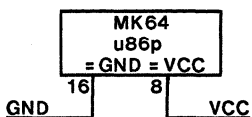
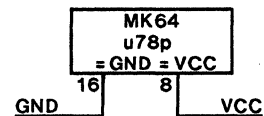
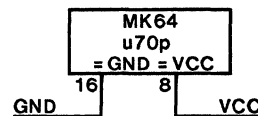
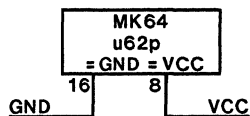
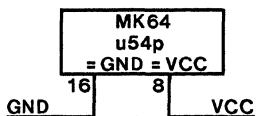
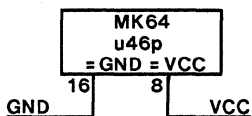
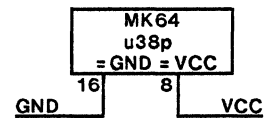
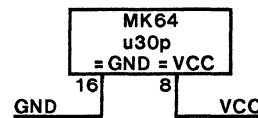
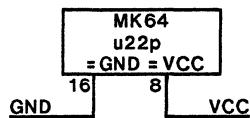
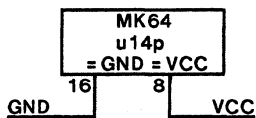
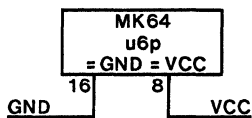
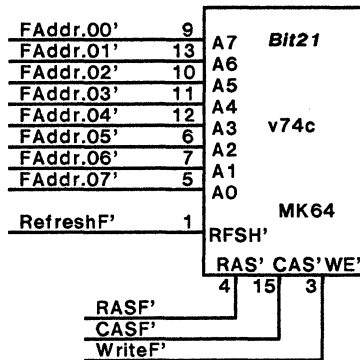
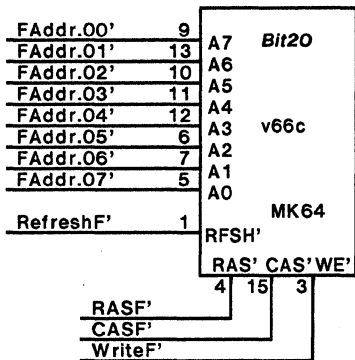
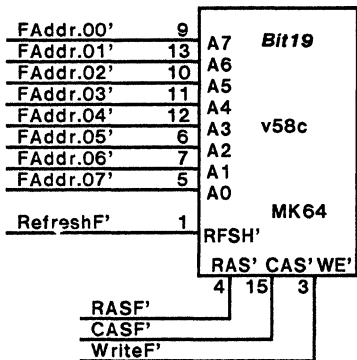
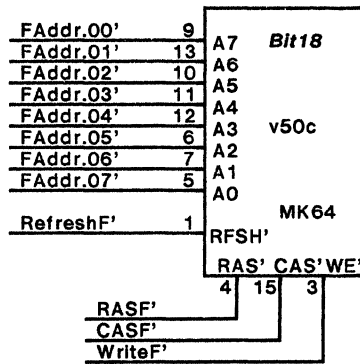
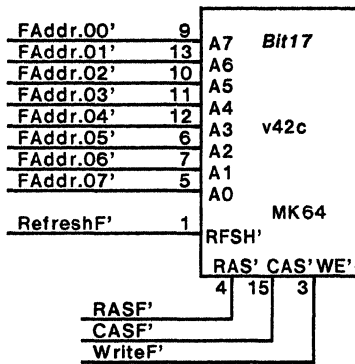
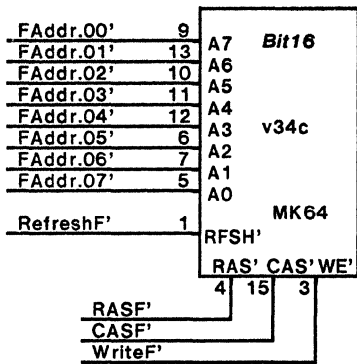


Bank E

XEROX	PROPRIETARY NOTE ON COVER SHEET APPLIES TO ALL SHEETS		DWG SIZE	DWG NO. 156P12068	SHEET REV. A
	TITLE SCHEMATIC, MSC-X		A4	SHEET 13 OF	

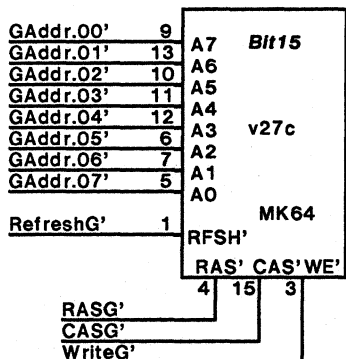
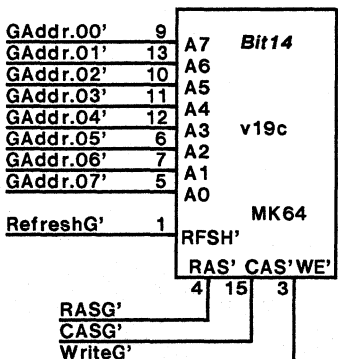
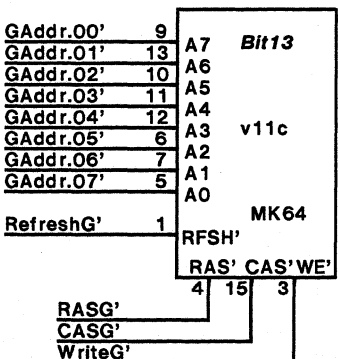
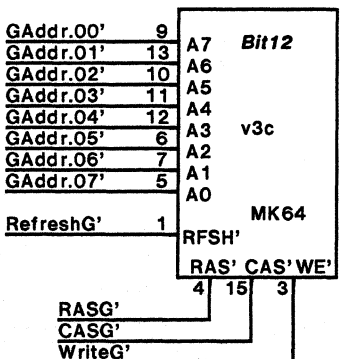
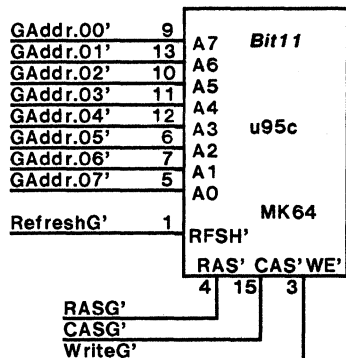
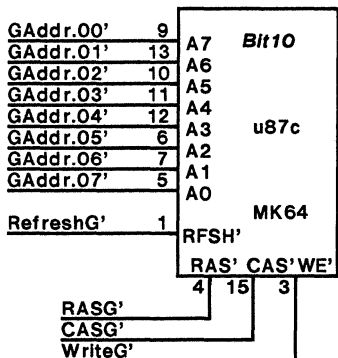
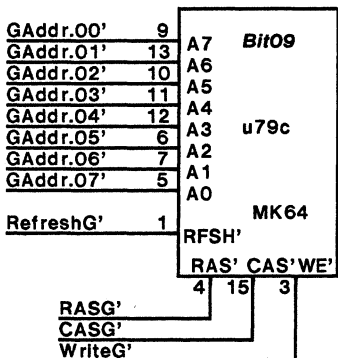
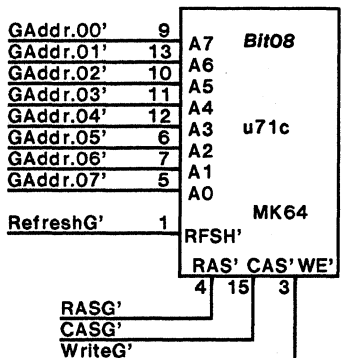
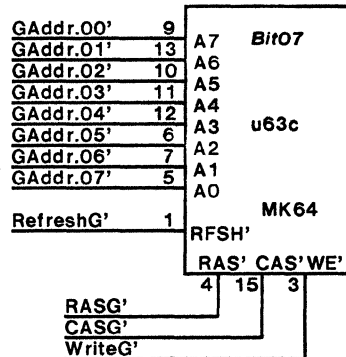
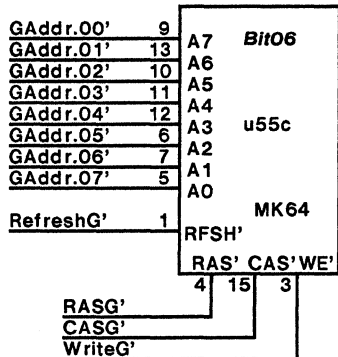
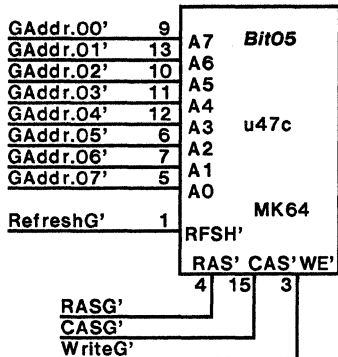
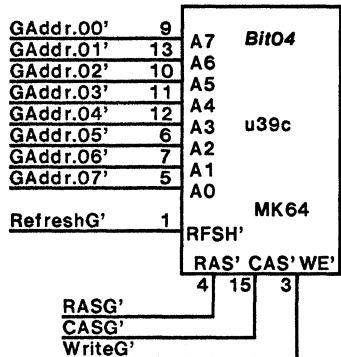
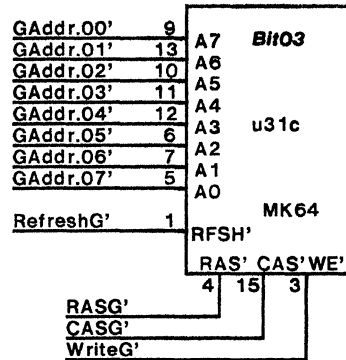
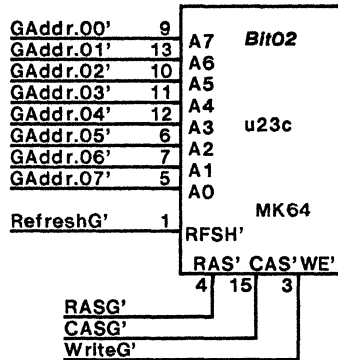
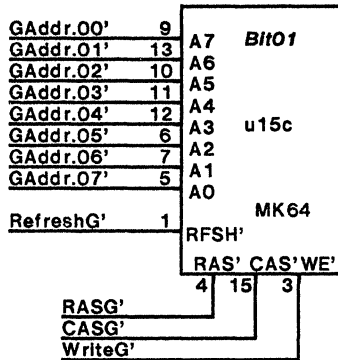
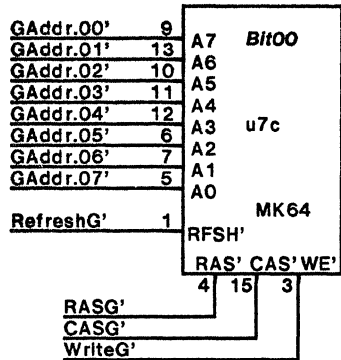


Bank F

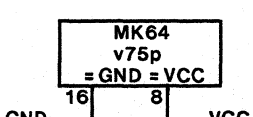
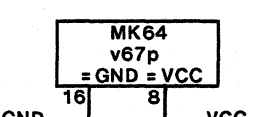
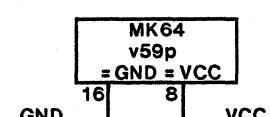
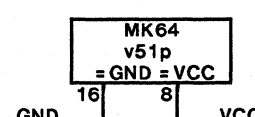
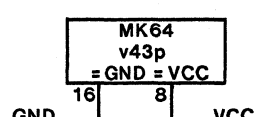
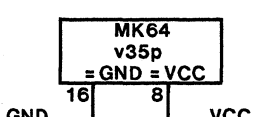
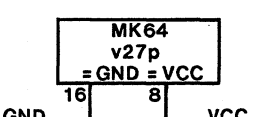
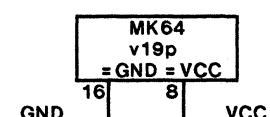
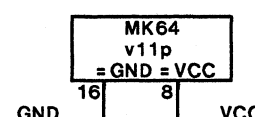
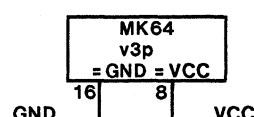
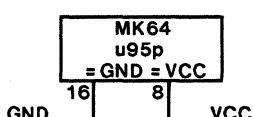
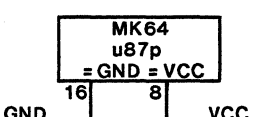
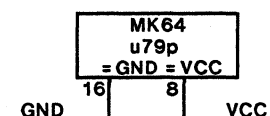
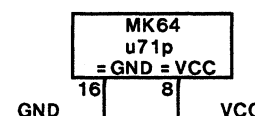
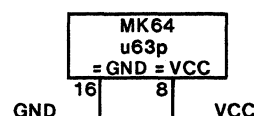
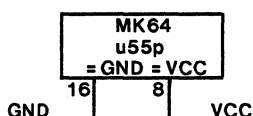
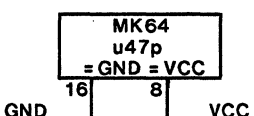
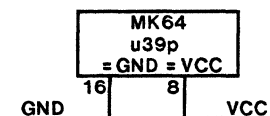
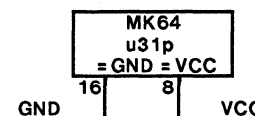
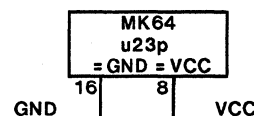
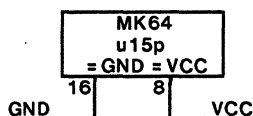
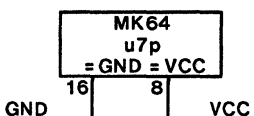
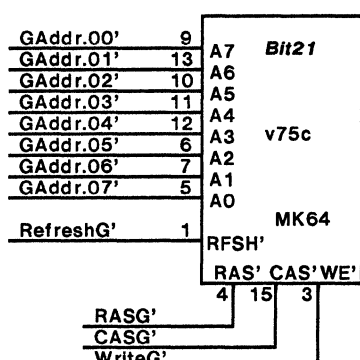
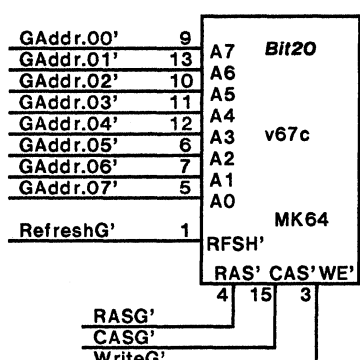
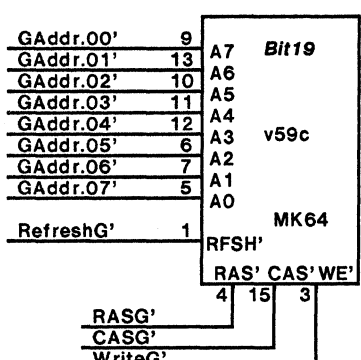
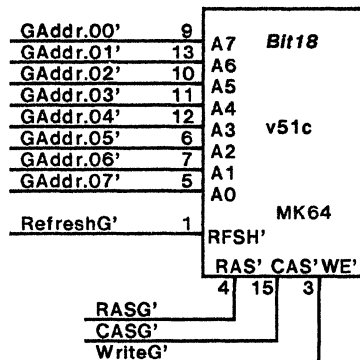
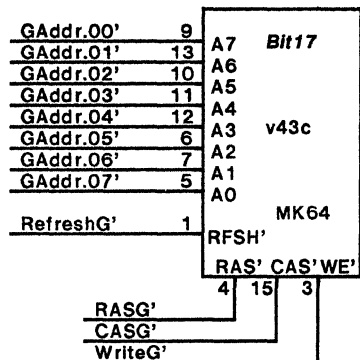
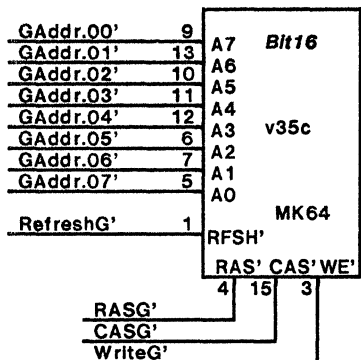


Bank F

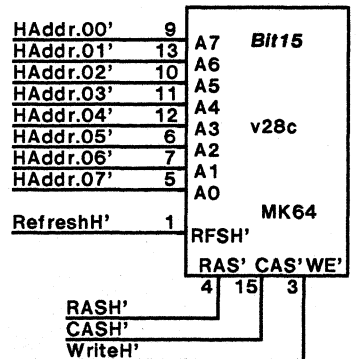
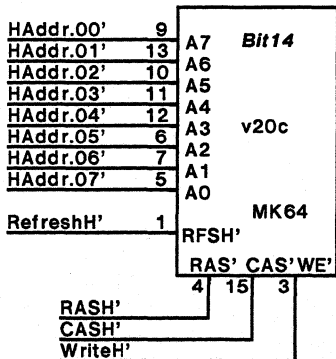
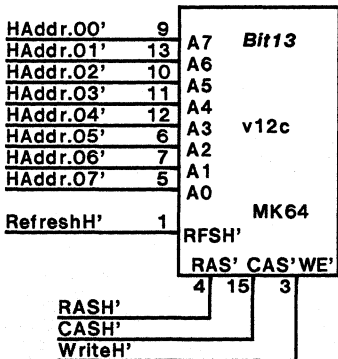
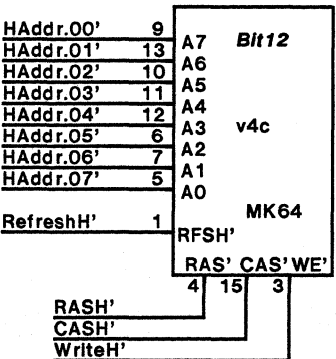
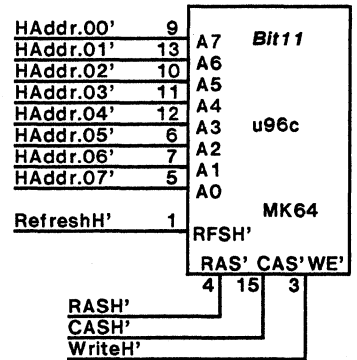
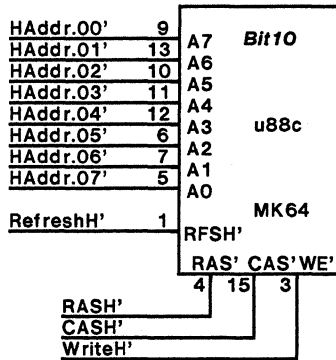
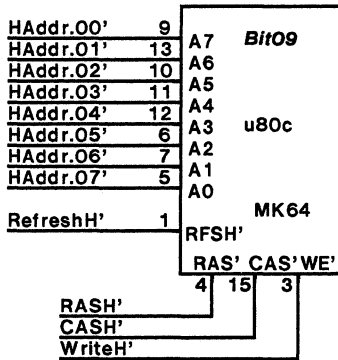
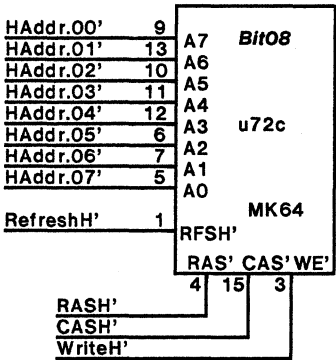
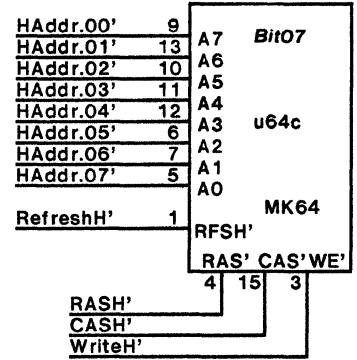
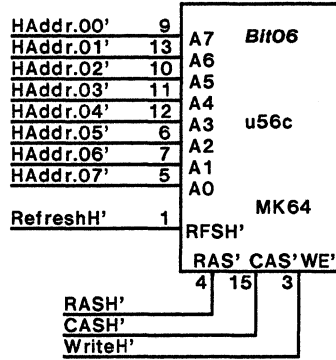
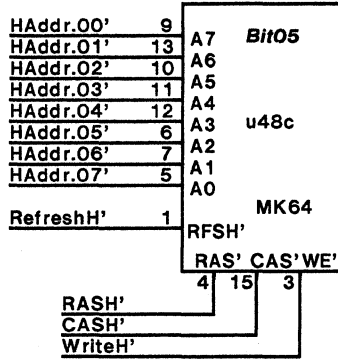
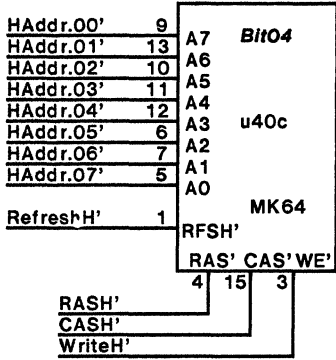
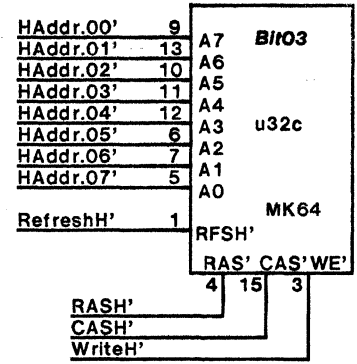
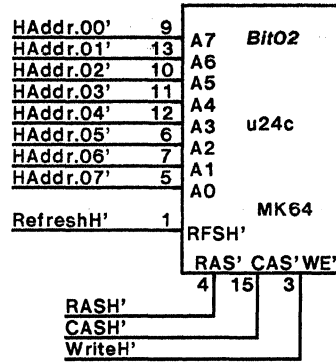
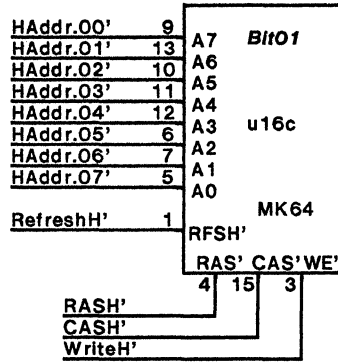
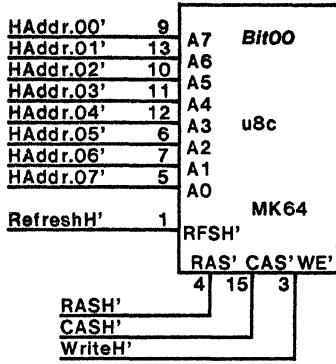
XEROX	PROPRIETARY NOTE ON COVER SHEET APPLIES TO ALL SHEETS		DWG SIZE	DWG NO. 156P12068	SHEET REV. A
	TITLE SCHEMATIC, MSC-X		A4	SHEET 15 OF	



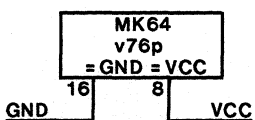
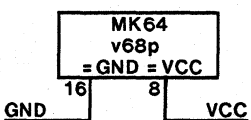
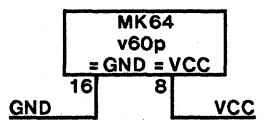
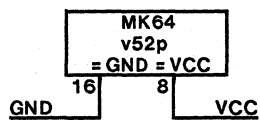
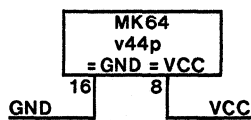
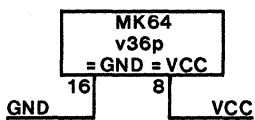
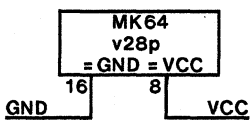
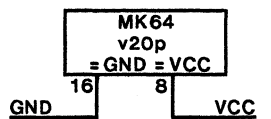
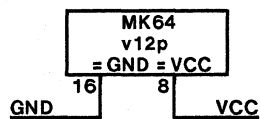
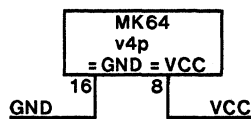
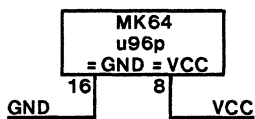
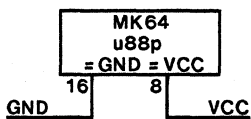
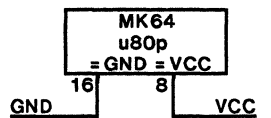
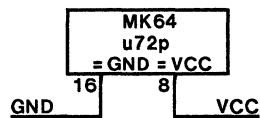
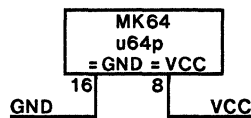
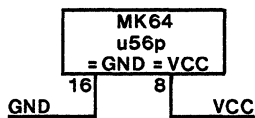
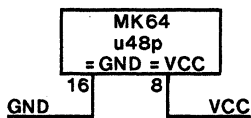
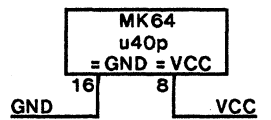
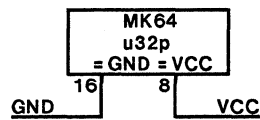
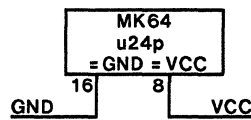
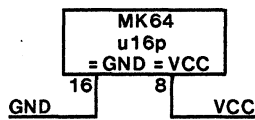
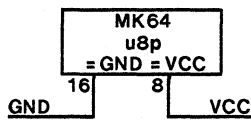
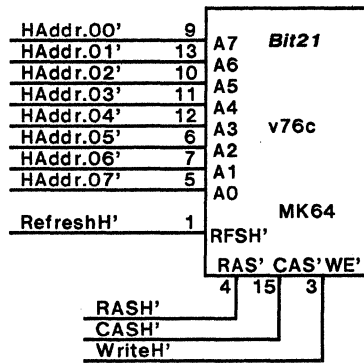
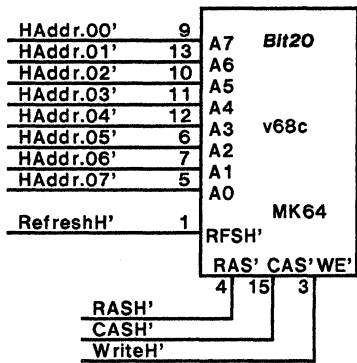
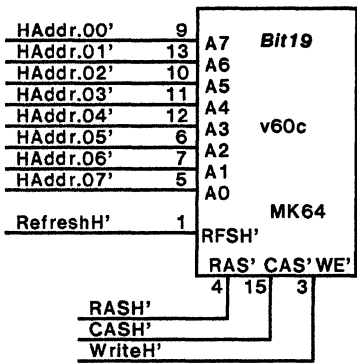
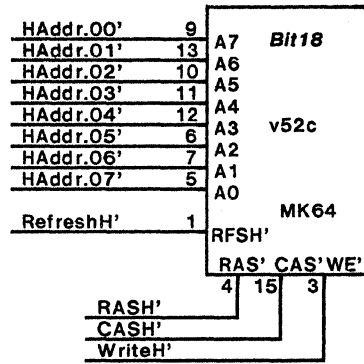
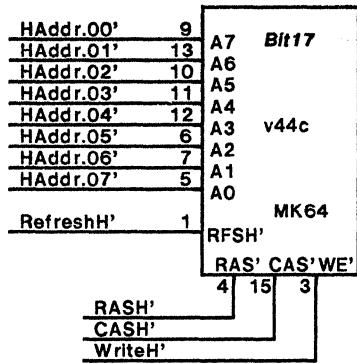
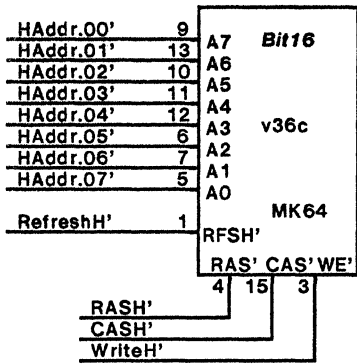
Bank G



Bank G

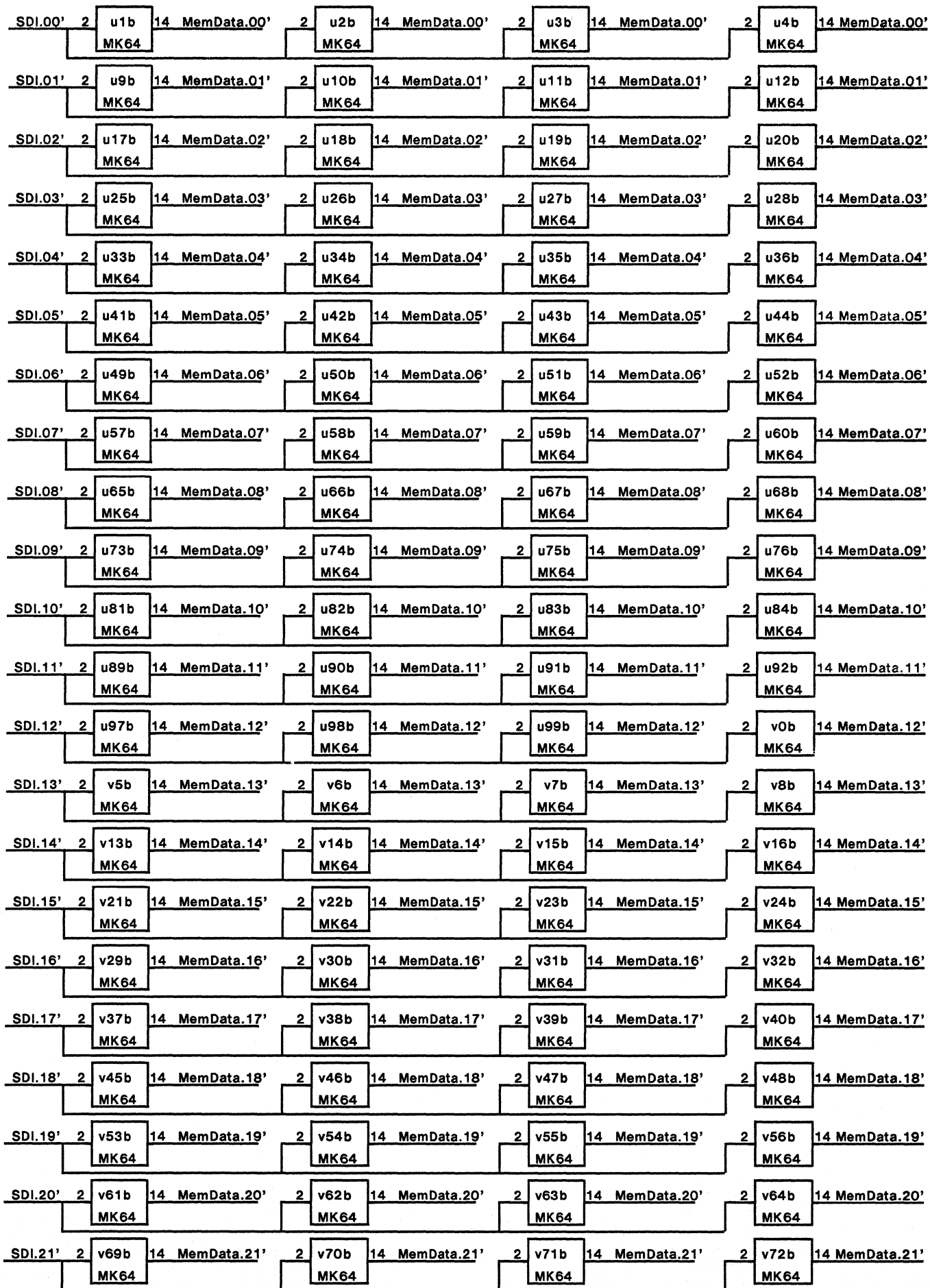


Bank H



Bank H

XEROX	PROPRIETARY NOTE ON COVER SHEET APPLIES TO ALL SHEETS	DWG SIZE A4	DWG NO. 156P12068	SHEET REV. A
	TITLE SCHEMATIC, MSC-X		SHEET 19 OF	



Bank A

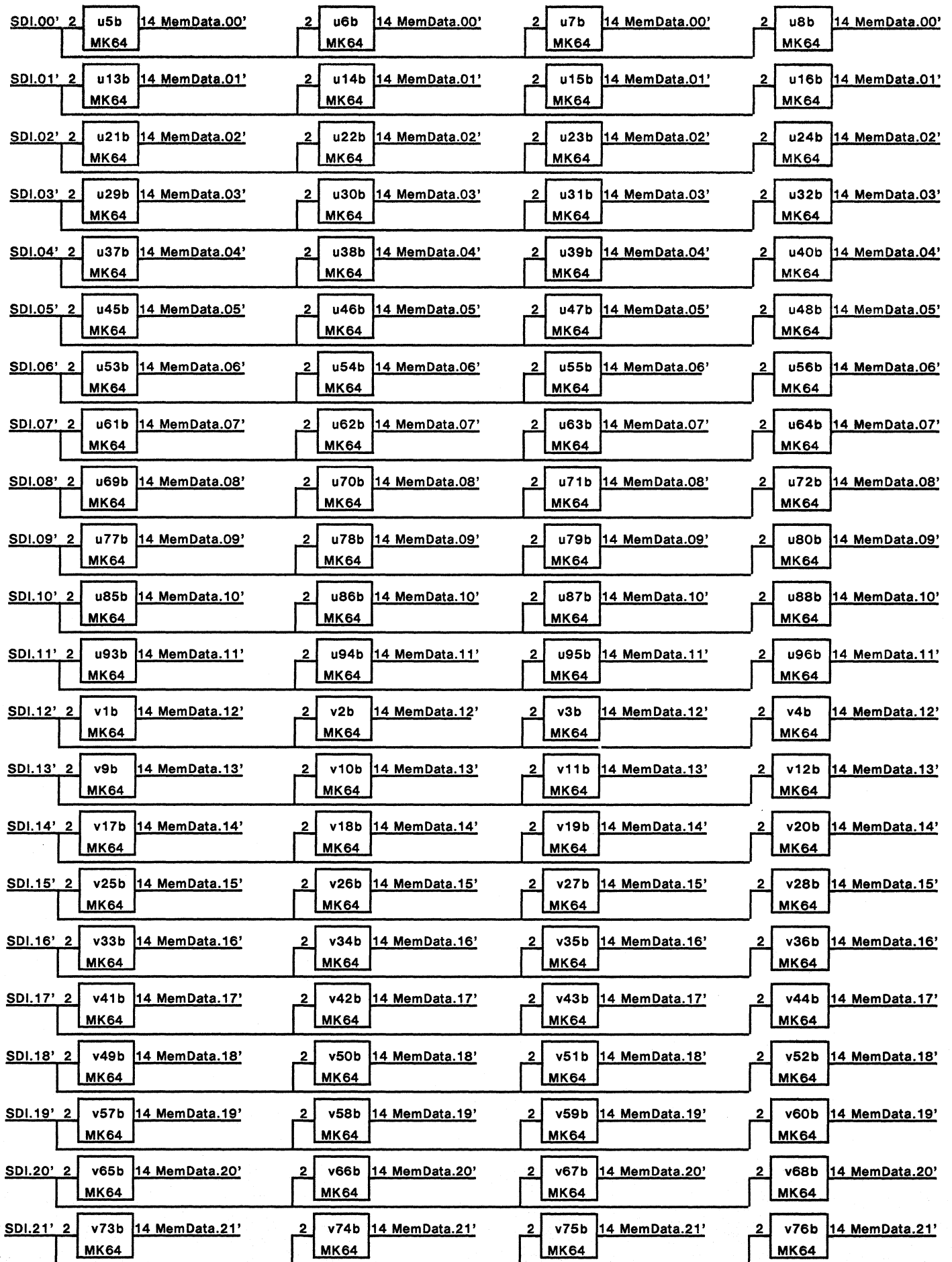
Bank B

Bank C

Bank D

A-B-C-D Data Section

XEROX	PROPRIETARY NOTE ON COVER SHEET APPLIES TO ALL SHEETS		DWG SIZE A4	DWG NO. 156P12068		SHEET REV. A
	TITLE SCHEMATIC, MSC-X			SHEET 20 OF		



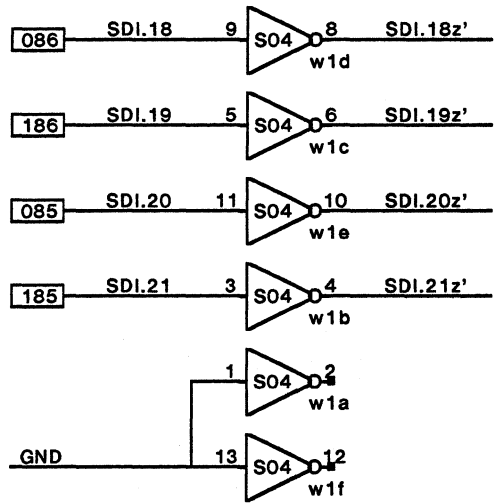
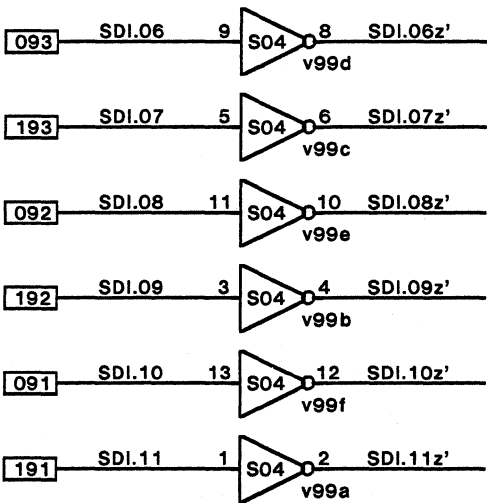
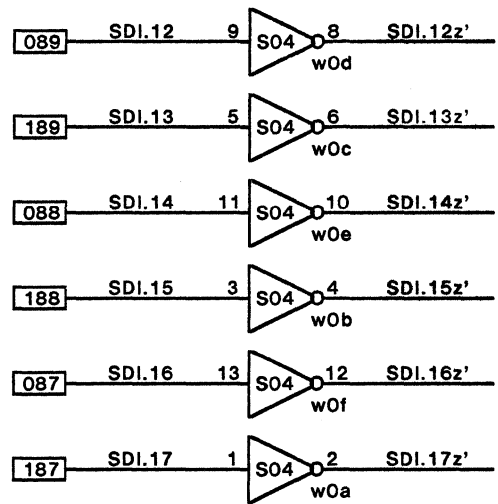
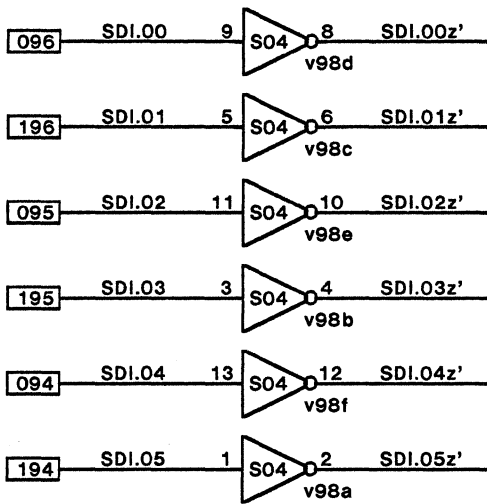
Bank E
E-F-G-H Data Section

Bank F

Bank G

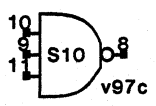
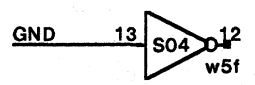
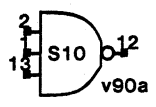
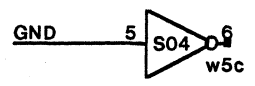
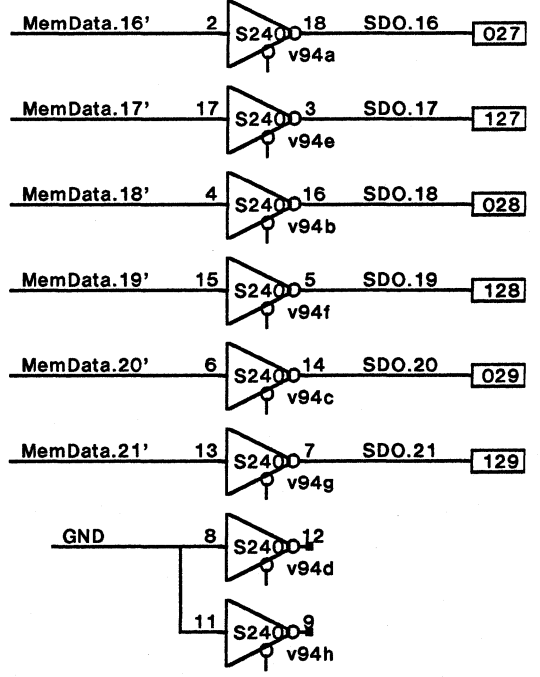
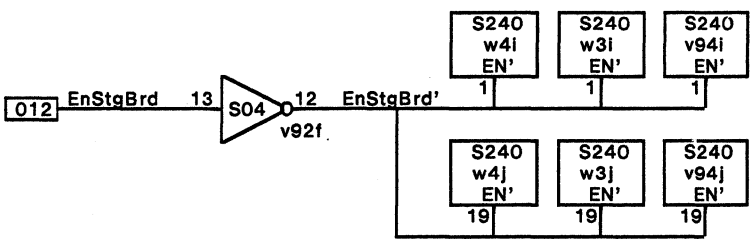
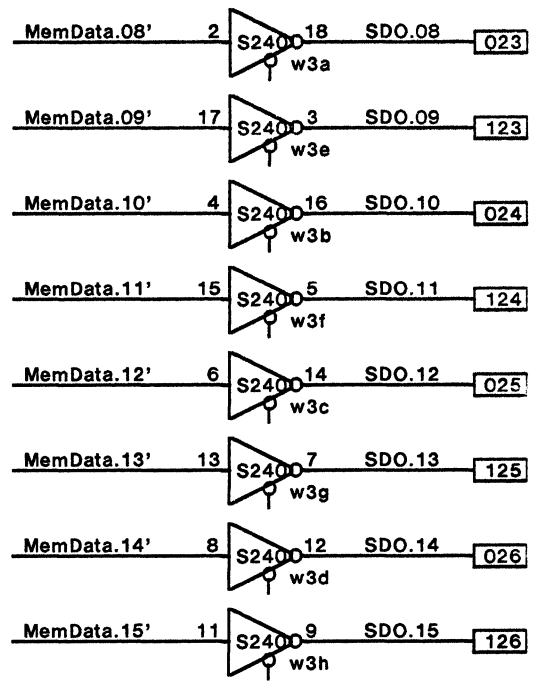
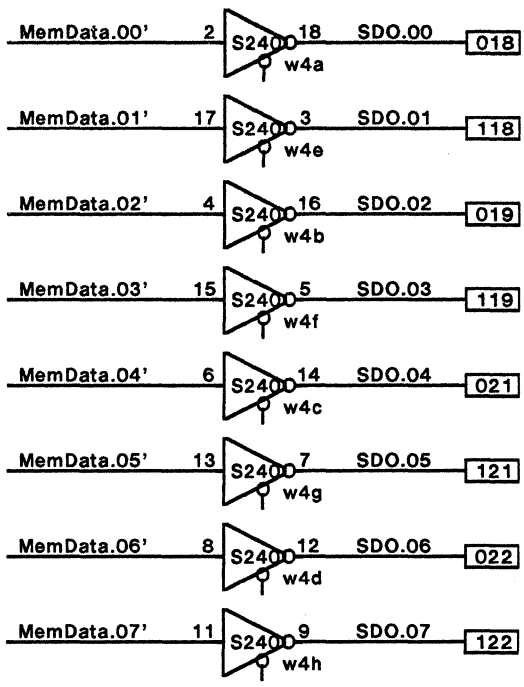
Bank H

XEROX	PROPRIETARY NOTE ON COVER SHEET APPLIES TO ALL SHEETS		DWG SIZE	DWG NO. 156P12068	SHEET REV.
	TITLE SCHEMATIC, MSC-X		A4	SHEET 21 OF	A



DATA INPUT BUFFERS

XEROX	PROPRIETARY NOTE ON COVER SHEET APPLIES TO ALL SHEETS	DWG SIZE A4	DWG NO. 156P12068		SHEET REV. A
	TITLE SCHEMATIC, MSC-X		SHEET 22	OF	



Spare Gates

DATA OUTPUT BUFFERS

XEROX	PROPRIETARY NOTE ON COVER SHEET APPLIES TO ALL SHEETS	DWG SIZE A4	DWG NO. 156P12068		SHEET REV. A
	TITLE SCHEMATIC, MSC-X		SHEET 23	OF	

AAddr.05' $2 \cdot \#R6$ 1 AAddr.05z'
 * 1RT
AAddr.01' $2 \cdot \#R9$ 1 AAddr.01z'
 * 1RT
AAddr.04' $2 \cdot \#R7$ 1 AAddr.04z'
 * 1RT
AAddr.02' $2 \cdot \#R3$ 1 AAddr.02z'
 * 1RT
AAddr.06' $2 \cdot \#R4$ 1 AAddr.06z'
 * 1RT
AAddr.03' $2 \cdot \#R5$ 1 AAddr.03z'
 * 1RT
RASA' $2 \cdot \#R10$ 1 RASAz'
 * 1RT
AAddr.00' $2 \cdot \#R2$ 1 AAddr.00z'
 * 1RT
WriteA' $2 \cdot \#R11$ 1 WriteAz'
 * 1RT
CASA' $2 \cdot \#R12$ 1 CASAz'
 * 1RT
AAddr.07' $2 \cdot \#R8$ 1 AAddr.07z'
 * 1RT
RefreshA' $2 \cdot \#R1$ 1 VCC
 * 1RT

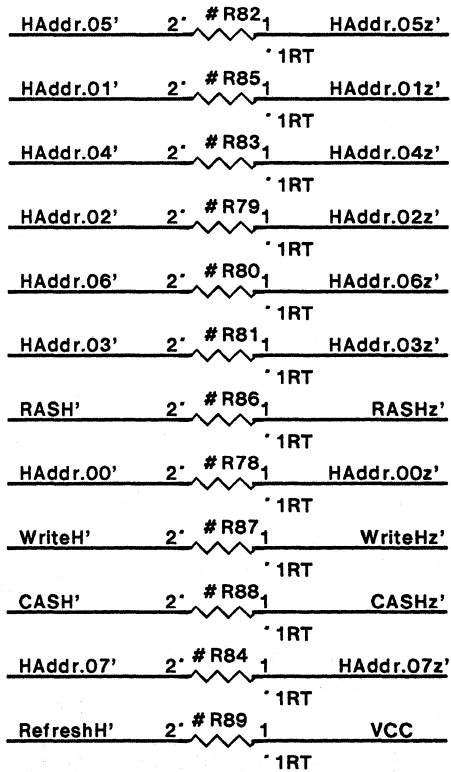
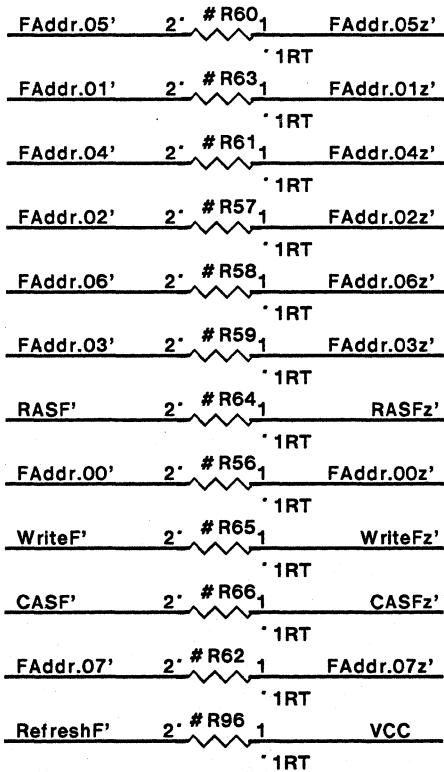
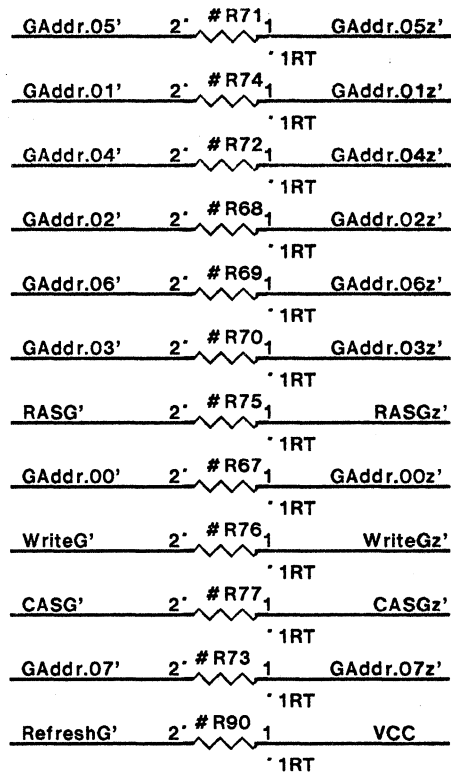
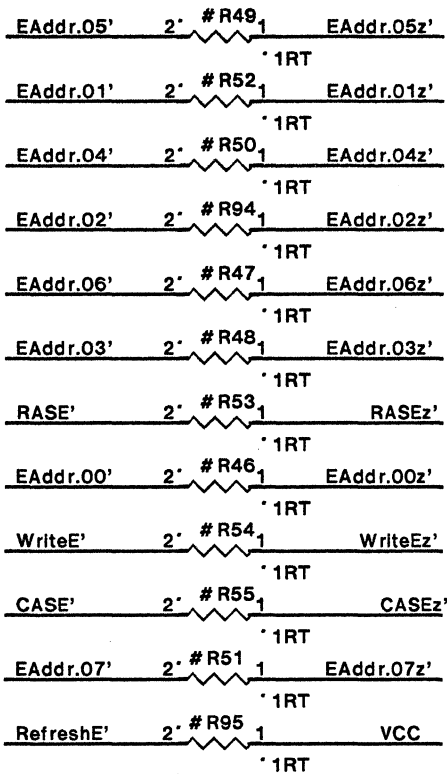
CAddr.05' $2 \cdot \#R28$ 1 CAddr.05z'
 * 1RT
CAddr.01' $2 \cdot \#R31$ 1 CAddr.01z'
 * 1RT
CAddr.04' $2 \cdot \#R29$ 1 CAddr.04z'
 * 1RT
CAddr.02' $2 \cdot \#R25$ 1 CAddr.02z'
 * 1RT
CAddr.06' $2 \cdot \#R26$ 1 CAddr.06z'
 * 1RT
CAddr.03' $2 \cdot \#R27$ 1 CAddr.03z'
 * 1RT
RASC' $2 \cdot \#R32$ 1 RASCz'
 * 1RT
CAddr.00' $2 \cdot \#R24$ 1 CAddr.00z'
 * 1RT
WriteC' $2 \cdot \#R33$ 1 WriteCz'
 * 1RT
CASC' $2 \cdot \#R34$ 1 CASCz'
 * 1RT
CAddr.07' $2 \cdot \#R30$ 1 CAddr.07z'
 * 1RT
RefreshC' $2 \cdot \#R92$ 1 VCC
 * 1RT

BAddr.05' $2 \cdot \#R17$ 1 BAddr.05z'
 * 1RT
BAddr.01' $2 \cdot \#R20$ 1 BAddr.01z'
 * 1RT
BAddr.04' $2 \cdot \#R18$ 1 BAddr.04z'
 * 1RT
BAddr.02' $2 \cdot \#R14$ 1 BAddr.02z'
 * 1RT
BAddr.06' $2 \cdot \#R15$ 1 BAddr.06z'
 * 1RT
BAddr.03' $2 \cdot \#R16$ 1 BAddr.03z'
 * 1RT
RASB' $2 \cdot \#R21$ 1 RASBz'
 * 1RT
BAddr.00' $2 \cdot \#R13$ 1 BAddr.00z'
 * 1RT
WriteB' $2 \cdot \#R22$ 1 WriteBz'
 * 1RT
CASB' $2 \cdot \#R23$ 1 CASBz'
 * 1RT
BAddr.07' $2 \cdot \#R19$ 1 BAddr.07z'
 * 1RT
RefreshB' $2 \cdot \#R91$ 1 VCC
 * 1RT

DAddr.05' $2 \cdot \#R39$ 1 DAddr.05z'
 * 1RT
DAddr.01' $2 \cdot \#R42$ 1 DAddr.01z'
 * 1RT
DAddr.04' $2 \cdot \#R40$ 1 DAddr.04z'
 * 1RT
DAddr.02' $2 \cdot \#R36$ 1 DAddr.02z'
 * 1RT
DAddr.06' $2 \cdot \#R37$ 1 DAddr.06z'
 * 1RT
DAddr.03' $2 \cdot \#R38$ 1 DAddr.03z'
 * 1RT
RASD' $2 \cdot \#R43$ 1 RASDz'
 * 1RT
DAddr.00' $2 \cdot \#R35$ 1 DAddr.00z'
 * 1RT
WriteD' $2 \cdot \#R44$ 1 WriteDz'
 * 1RT
CASD' $2 \cdot \#R45$ 1 CASDz'
 * 1RT
DAddr.07' $2 \cdot \#R41$ 1 DAddr.07z'
 * 1RT
RefreshD' $2 \cdot \#R93$ 1 VCC
 * 1RT

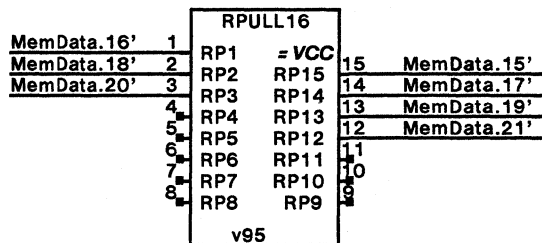
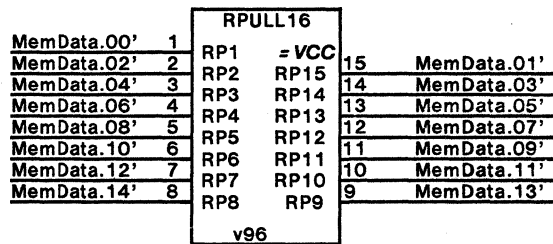
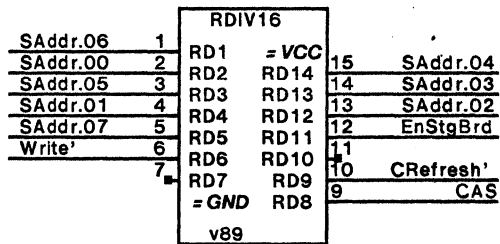
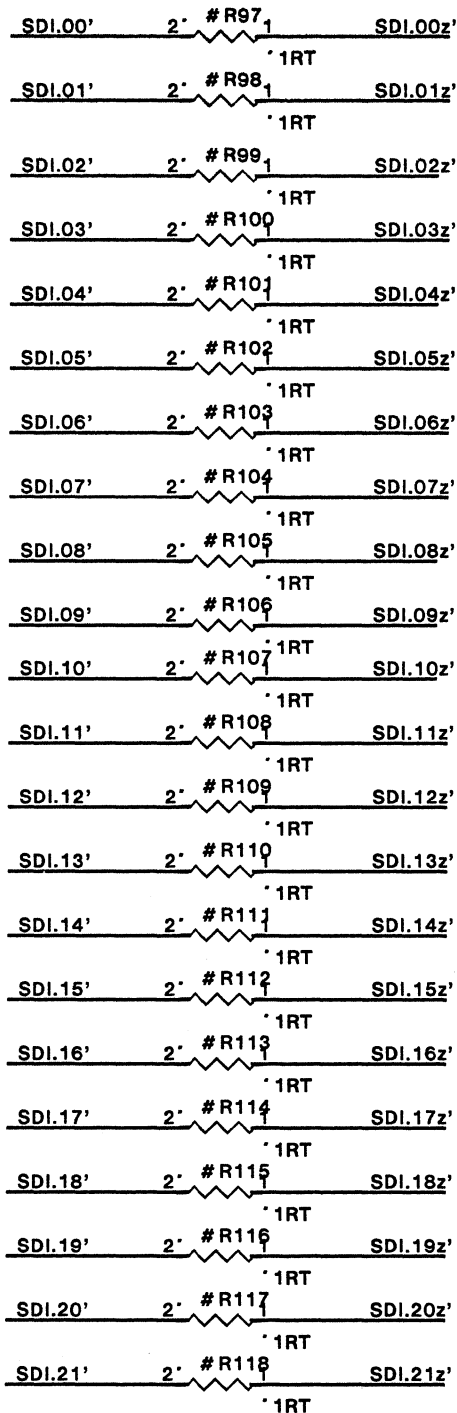
RESISTORS

XEROX	PROPRIETARY NOTE ON COVER SHEET APPLIES TO ALL SHEETS	DWG SIZE	DWG NO. 156P12068	SHEET REV.
	TITLE SCHEMATIC, MSC-X	A4	SHEET 24 OF	A



RESISTORS

XEROX	PROPRIETARY NOTE ON COVER SHEET APPLIES TO ALL SHEETS		DWG SIZE A4	DWG NO. 156P12068	SHEET REV. A
	TITLE SCHEMATIC, MSC-X		SHEET 25 OF		



RESISTORS AND R-DIPS

XEROX	PROPRIETARY NOTE ON COVER SHEET APPLIES TO ALL SHEETS		DWG SIZE	DWG NO. 156P12068	SHEET REV. A
	TITLE SCHEMATIC, MSC-X		A4	SHEET 26 OF	

AAddr.00' 1 ○ tI # TP1
 RASA' 1 ○ tI # TP2
 AAddr.03' 1 ○ tI # TP3
 AAddr.06' 1 ○ tI # TP4
 AAddr.02' 1 ○ tI # TP5
 AAddr.04' 1 ○ tI # TP6
 AAddr.01' 1 ○ tI # TP7
 AAddr.05' 1 ○ tI # TP8

EAddr.00' 1 ○ tI # TP41
 RASE' 1 ○ tI # TP42
 EAddr.03' 1 ○ tI # TP43
 EAddr.06' 1 ○ tI # TP44
 EAddr.02' 1 ○ tI # TP45
 EAddr.04' 1 ○ tI # TP46
 EAddr.01' 1 ○ tI # TP47
 EAddr.05' 1 ○ tI # TP48

SDI.07' 1 ○ tI # TP81
 SDI.06' 1 ○ tI # TP82
 SDI.05' 1 ○ tI # TP83
 SDI.04' 1 ○ tI # TP84
 SDI.03' 1 ○ tI # TP85
 SDI.02' 1 ○ tI # TP86
 SDI.01' 1 ○ tI # TP87
 SDI.00' 1 ○ tI # TP88

BAddr.03' 1 ○ tI # TP9
 BAddr.06' 1 ○ tI # TP10
 BAddr.02' 1 ○ tI # TP11
 BAddr.04' 1 ○ tI # TP12
 BAddr.01' 1 ○ tI # TP13
 BAddr.05' 1 ○ tI # TP14
 CASA' 1 ○ tI # TP15
 WriteA' 1 ○ tI # TP16

FAddr.03' 1 ○ tI # TP49
 FAddr.06' 1 ○ tI # TP50
 FAddr.02' 1 ○ tI # TP51
 FAddr.04' 1 ○ tI # TP52
 FAddr.01' 1 ○ tI # TP53
 FAddr.05' 1 ○ tI # TP54
 CASE' 1 ○ tI # TP55
 WriteE' 1 ○ tI # TP56

SDI.15' 1 ○ tI # TP89
 SDI.14' 1 ○ tI # TP90
 SDI.13' 1 ○ tI # TP91
 SDI.12' 1 ○ tI # TP92
 SDI.11' 1 ○ tI # TP93
 SDI.10' 1 ○ tI # TP94
 SDI.09' 1 ○ tI # TP95
 SDI.08' 1 ○ tI # TP96

CAddr.02' 1 ○ tI # TP17
 CAddr.04' 1 ○ tI # TP18
 CAddr.01' 1 ○ tI # TP19
 CAddr.05' 1 ○ tI # TP20
 CASB' 1 ○ tI # TP21
 WriteB' 1 ○ tI # TP22
 BAddr.00' 1 ○ tI # TP23
 RASB' 1 ○ tI # TP24

GAddr.02' 1 ○ tI # TP57
 GAddr.04' 1 ○ tI # TP58
 GAddr.01' 1 ○ tI # TP59
 GAddr.05' 1 ○ tI # TP60
 CASF' 1 ○ tI # TP61
 WriteF' 1 ○ tI # TP62
 FAddr.00' 1 ○ tI # TP63
 RASF' 1 ○ tI # TP64

SDI.21' 1 ○ tI # TP97
 SDI.20' 1 ○ tI # TP98
 SDI.19' 1 ○ tI # TP99
 SDI.18' 1 ○ tI # TP100
 SDI.17' 1 ○ tI # TP101
 SDI.16' 1 ○ tI # TP102

DAddr.01' 1 ○ tI # TP25
 DAddr.05' 1 ○ tI # TP26
 CASC' 1 ○ tI # TP27
 WriteC' 1 ○ tI # TP28
 CAddr.00' 1 ○ tI # TP29
 RASC' 1 ○ tI # TP30
 CAddr.03' 1 ○ tI # TP31
 CAddr.06' 1 ○ tI # TP32

HAddr.01' 1 ○ tI # TP65
 HAddr.05' 1 ○ tI # TP66
 CASG' 1 ○ tI # TP67
 WriteG' 1 ○ tI # TP68
 GAddr.00' 1 ○ tI # TP69
 RASG' 1 ○ tI # TP70
 GAddr.03' 1 ○ tI # TP71
 GAddr.06' 1 ○ tI # TP72

MemData.00' 1 ○ tI # TP103
 MemData.01' 1 ○ tI # TP104
 MemData.02' 1 ○ tI # TP105
 MemData.03' 1 ○ tI # TP106
 MemData.04' 1 ○ tI # TP107
 MemData.05' 1 ○ tI # TP108
 MemData.06' 1 ○ tI # TP109
 MemData.07' 1 ○ tI # TP110

CASD' 1 ○ tI # TP33
 WriteD' 1 ○ tI # TP34
 DAddr.00' 1 ○ tI # TP35
 RASD' 1 ○ tI # TP36
 DAddr.03' 1 ○ tI # TP37
 DAddr.06' 1 ○ tI # TP38
 DAddr.02' 1 ○ tI # TP39
 DAddr.04' 1 ○ tI # TP40

CASH' 1 ○ tI # TP73
 WriteH' 1 ○ tI # TP74
 HAddr.00' 1 ○ tI # TP75
 RASH' 1 ○ tI # TP76
 HAddr.03' 1 ○ tI # TP77
 HAddr.06' 1 ○ tI # TP78
 HAddr.02' 1 ○ tI # TP79
 HAddr.04' 1 ○ tI # TP80

MemData.08' 1 ○ tI # TP111
 MemData.09' 1 ○ tI # TP112
 MemData.10' 1 ○ tI # TP113
 MemData.11' 1 ○ tI # TP114
 MemData.12' 1 ○ tI # TP115
 MemData.13' 1 ○ tI # TP116
 MemData.14' 1 ○ tI # TP117
 MemData.15' 1 ○ tI # TP118

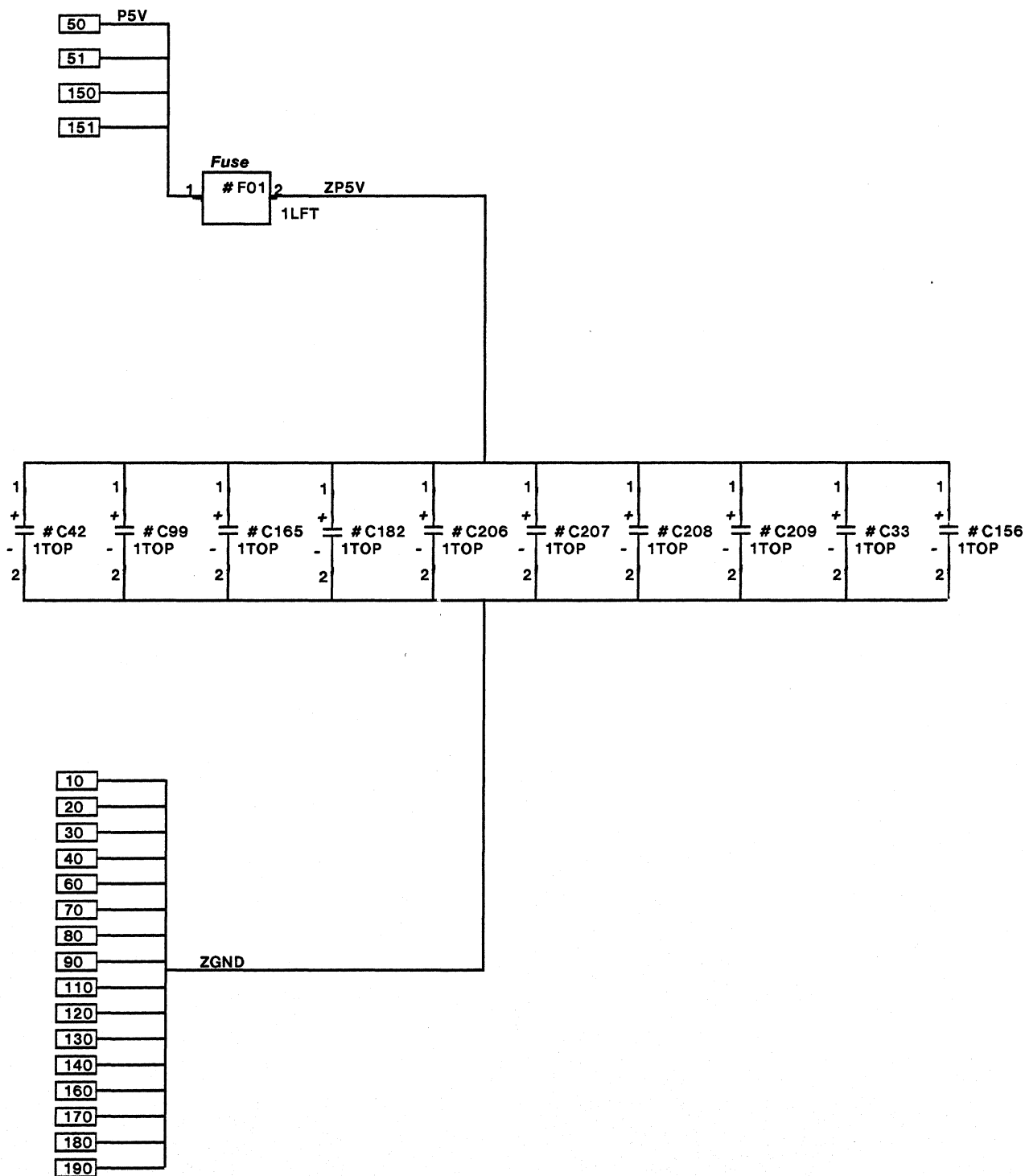
AAddr.07' 1 ○ tI # TP125
 RefreshA' 1 ○ tI # TP126
 BAddr.07' 1 ○ tI # TP127
 RefreshB' 1 ○ tI # TP128
 CAddr.07' 1 ○ tI # TP129
 RefreshC' 1 ○ tI # TP130
 DAddr.07' 1 ○ tI # TP131
 RefreshD' 1 ○ tI # TP132

EAddr.07' 1 ○ tI # TP133
 RefreshE' 1 ○ tI # TP134
 FAddr.07' 1 ○ tI # TP135
 RefreshF' 1 ○ tI # TP136
 GAddr.07' 1 ○ tI # TP137
 RefreshG' 1 ○ tI # TP138
 HAddr.07' 1 ○ tI # TP139
 RefreshH' 1 ○ tI # TP140

MemData.16' 1 ○ tI # TP119
 MemData.17' 1 ○ tI # TP120
 MemData.18' 1 ○ tI # TP121
 MemData.19' 1 ○ tI # TP122
 MemData.20' 1 ○ tI # TP123
 MemData.21' 1 ○ tI # TP124

TEST POINTS

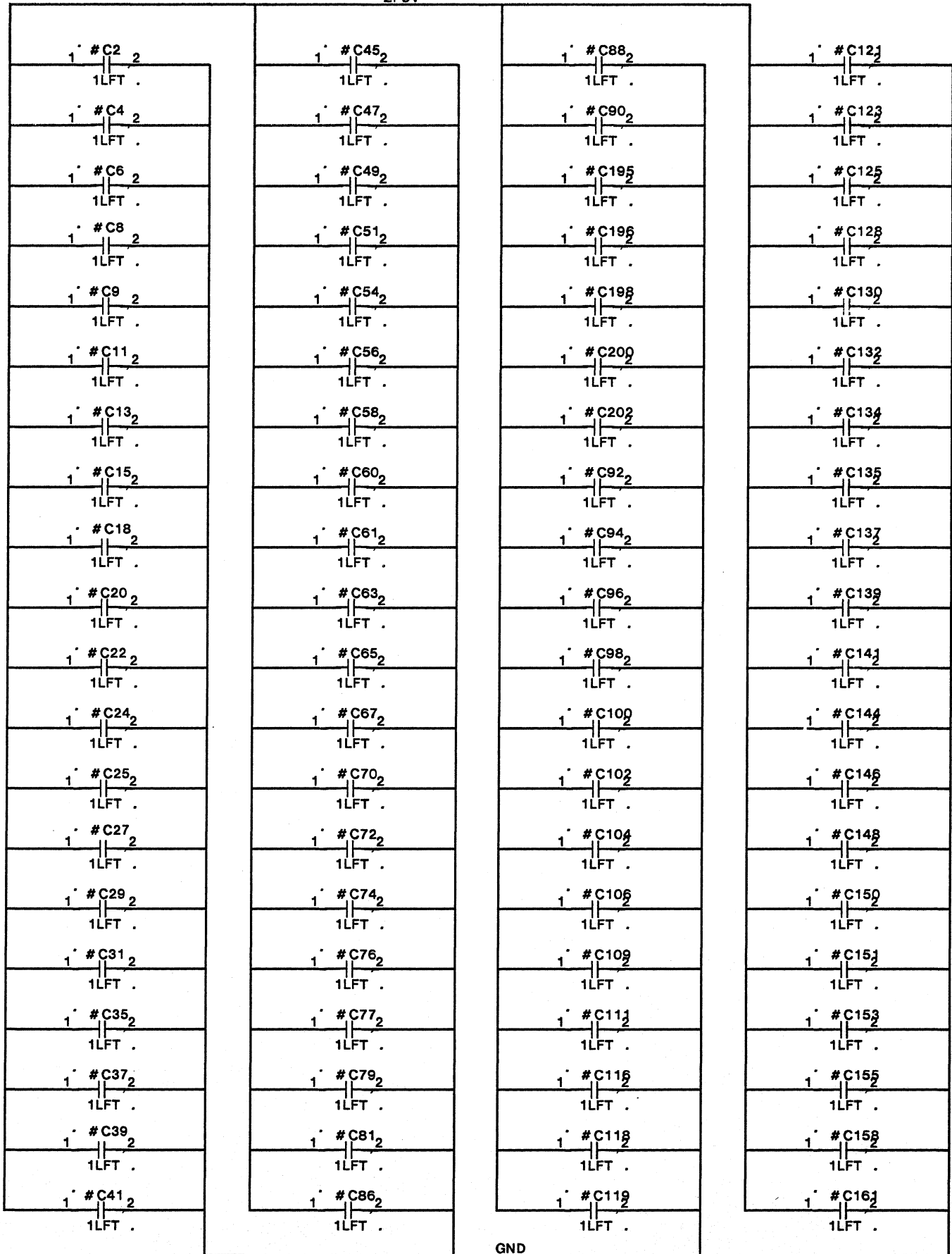
XEROX	PROPRIETARY NOTE ON COVER SHEET APPLIES TO ALL SHEETS	DWG SIZE A4	DWG NO. 156P12068		SHEET REV. A
	TITLE SCHEMATIC, MSC-X		SHEET 27 OF		



CAPS - FUSE

XEROX	PROPRIETARY NOTE ON COVER SHEET APPLIES TO ALL SHEETS	DWG SIZE A4	DWG NO. 156P12068		SHEET REV. A
	TITLE SCHEMATIC, MSC-X		SHEET 28 OF		

ZP5V

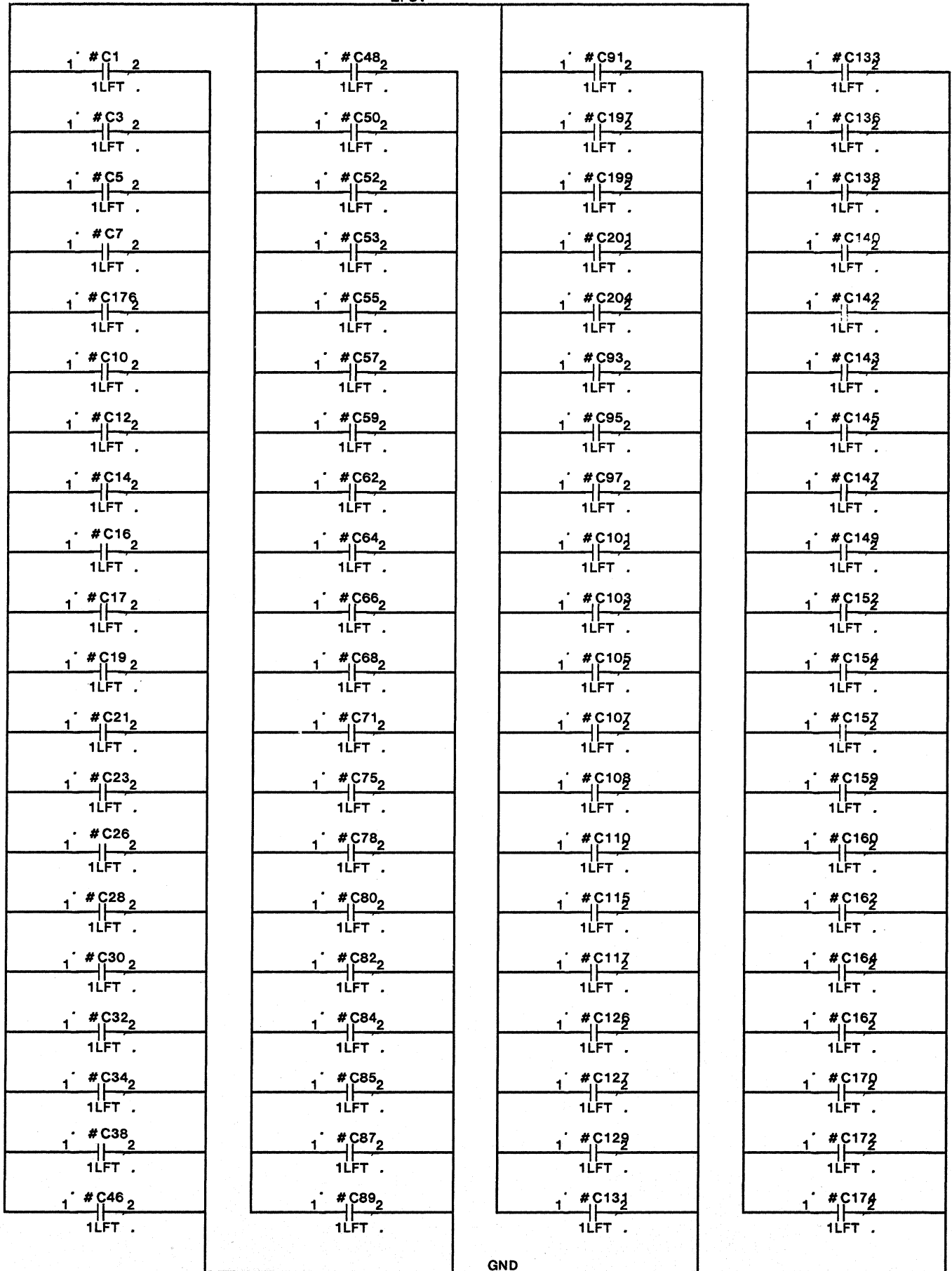


GND

Filter Capacitors

NOTE: ALL CAPACITORS ARE CERAMIC FILTER CAPS, PART # 102P20600

XEROX	PROPRIETARY NOTE ON COVER SHEET APPLIES TO ALL SHEETS	DWG SIZE	DWG NO. 156P12068	SHEET REV. A
	TITLE SCHEMATIC, MSC-X	A4	SHEET 29 OF	



Filter Capacitors

NOTE: ALL CAPACITORS ARE CERAMIC FILTER CAPS, PART # 102P20600

XEROX	PROPRIETARY NOTE ON COVER SHEET APPLIES TO ALL SHEETS	DWG SIZE	DWG NO. 156P12068	SHEET REV.
	TITLE SCHEMATIC, MSC-X	A4	SHEET 30 OF	A

Comments:

- 1) Designator notation notes: u1-99 = U1-99, v0-99 = U100-199, w0-99 = U200-299
- 2) The last item on lines below, preceded by a semicolon (;), is the schematic page number on which the test point, connector or signal information originates.
- 3) Line with no page number was a continuation of the previous line.

#TP065	.1i	HAddr.01'	;27	#TP18	.1i	CAddr.04'	;27
#TP1	.1i	AAddr.00'	;27	#TP19	.1i	CAddr.01'	;27
#TP10	.1i	BAddr.06'	;27	#TP2	.1i	RASA'	;27
#TP100	.1i	SDI.18'	;27	#TP20	.1i	CAddr.05'	;27
#TP101	.1i	SDI.17'	;27	#TP21	.1i	CASB'	;27
#TP102	.1i	SDI.16'	;27	#TP22	.1i	WriteB'	;27
#TP103	.1i	MemData.00'	;27	#TP23	.1i	BAddr.00'	;27
#TP104	.1i	MemData.01'	;27	#TP24	.1i	RASB'	;27
#TP105	.1i	MemData.02'	;27	#TP25	.1i	DAddr.01'	;27
#TP106	.1i	MemData.03'	;27	#TP26	.1i	DAddr.05'	;27
#TP107	.1i	MemData.04'	;27	#TP27	.1i	CASC'	;27
#TP108	.1i	MemData.05'	;27	#TP28	.1i	WriteC'	;27
#TP109	.1i	MemData.06'	;27	#TP29	.1i	CAddr.00'	;27
#TP11	.1i	BAddr.02'	;27	#TP3	.1i	AAddr.03'	;27
#TP110	.1i	MemData.07'	;27	#TP30	.1i	RASC'	;27
#TP111	.1i	MemData.08'	;27	#TP31	.1i	CAddr.03'	;27
#TP112	.1i	MemData.09'	;27	#TP32	.1i	CAddr.06'	;27
#TP113	.1i	MemData.10'	;27	#TP33	.1i	CASD'	;27
#TP114	.1i	MemData.11'	;27	#TP34	.1i	WriteD'	;27
#TP115	.1i	MemData.12'	;27	#TP35	.1i	DAddr.00'	;27
#TP116	.1i	MemData.13'	;27	#TP36	.1i	RASD'	;27
#TP117	.1i	MemData.14'	;27	#TP37	.1i	DAddr.03'	;27
#TP118	.1i	MemData.15'	;27	#TP38	.1i	DAddr.06'	;27
#TP119	.1i	MemData.16'	;27	#TP39	.1i	DAddr.02'	;27
#TP12	.1i	BAddr.04'	;27	#TP4	.1i	AAddr.06'	;27
#TP120	.1i	MemData.17'	;27	#TP40	.1i	DAddr.04'	;27
#TP121	.1i	MemData.18'	;27	#TP41	.1i	EAddr.00'	;27
#TP122	.1i	MemData.19'	;27	#TP42	.1i	RASE'	;27
#TP123	.1i	MemData.20'	;27	#TP43	.1i	EAddr.03'	;27
#TP124	.1i	MemData.21'	;27	#TP44	.1i	EAddr.06'	;27
#TP125	.1i	AAddr.07'	;27	#TP45	.1i	EAddr.02'	;27
#TP126	.1i	RefreshA'	;27	#TP46	.1i	EAddr.04'	;27
#TP127	.1i	BAddr.07'	;27	#TP47	.1i	EAddr.01'	;27
#TP128	.1i	RefreshB'	;27	#TP48	.1i	EAddr.05'	;27
#TP129	.1i	CAddr.07'	;27	#TP49	.1i	FAddr.03'	;27
#TP13	.1i	BAddr.01'	;27	#TP5	.1i	AAddr.02'	;27
#TP130	.1i	RefreshC'	;27	#TP50	.1i	FAddr.06'	;27
#TP131	.1i	DAddr.07'	;27	#TP51	.1i	FAddr.02'	;27
#TP132	.1i	RefreshD'	;27	#TP52	.1i	FAddr.04'	;27
#TP133	.1i	EAddr.07'	;27	#TP53	.1i	FAddr.01'	;27
#TP134	.1i	RefreshE'	;27	#TP54	.1i	FAddr.05'	;27
#TP135	.1i	FAddr.07'	;27	#TP55	.1i	CASE'	;27
#TP136	.1i	RefreshF'	;27	#TP56	.1i	WriteE'	;27
#TP137	.1i	GAddr.07'	;27	#TP57	.1i	GAddr.02'	;27
#TP138	.1i	RefreshG'	;27	#TP58	.1i	GAddr.04'	;27
#TP139	.1i	HAddr.07'	;27	#TP59	.1i	GAddr.01'	;27
#TP14	.1i	BAddr.05'	;27	#TP6	.1i	AAddr.04'	;27
#TP140	.1i	RefreshH'	;27	#TP60	.1i	GAddr.05'	;27
#TP15	.1i	CASA'	;27	#TP61	.1i	CASF'	;27
#TP16	.1i	WriteA'	;27	#TP62	.1i	WriteF'	;27
#TP17	.1i	CAddr.02'	;27	#TP63	.1i	FAddr.00'	;27

XEROX	PROPRIETARY NOTE ON COVER SHEET APPLIES TO ALL SHEETS		DWG SIZE A4	DWG NO. 156P12068		SHEET REV. A
	TITLE	SCHMATIC, MSC-X		SHEET	32 OF	

#TP64	.1i	RASG'	;27	E035	SAddr.06	;02
#TP66	.1i	HAddr.05'	;27	E036	LatchYH.7	;01
#TP67	.1i	CASG'	;27	E037	LatchYH.4	;01
#TP68	.1i	WriteG'	;27	E040	ZGND	;28
#TP69	.1i	GAddr.00'	;27	E050	P5V	;28
#TP7	.1i	AAddr.01'	;27	E051	P5V	;28
#TP70	.1i	RASG'	;27	E060	ZGND	;28
#TP71	.1i	GAddr.03'	;27	E070	ZGND	;28
#TP72	.1i	GAddr.06'	;27	E080	ZGND	;28
#TP73	.1i	CASH'	;27	E085	SDI.20	;22
#TP74	.1i	WriteH'	;27	E086	SDI.18	;22
#TP75	.1i	HAddr.00'	;27	E087	SDI.16	;22
#TP76	.1i	RASH'	;27	E088	SDI.14	;22
#TP77	.1i	HAddr.03'	;27	E089	SDI.12	;22
#TP78	.1i	HAddr.06'	;27	E090	ZGND	;28
#TP79	.1i	HAddr.02'	;27	E091	SDI.10	;22
#TP8	.1i	AAddr.05'	;27	E092	SDI.08	;22
#TP80	.1i	HAddr.04'	;27	E093	SDI.06	;22
#TP81	.1i	SDI.07'	;27	E094	SDI.04	;22
#TP82	.1i	SDI.06'	;27	E095	SDI.02	;22
#TP83	.1i	SDI.05'	;27	E096	SDI.00	;22
#TP84	.1i	SDI.04'	;27	E110	ZGND	;28
#TP85	.1i	SDI.03'	;27	E116	CRefresh'	;01
#TP86	.1i	SDI.02'	;27	E118	SDO.01	;23
#TP87	.1i	SDI.01'	;27	E119	SDO.03	;23
#TP88	.1i	SDI.00'	;27	E120	ZGND	;28
#TP89	.1i	SDI.15'	;27	E121	SDO.05	;23
#TP9	.1i	BAddr.03'	;27	E122	SDO.07	;23
#TP90	.1i	SDI.14'	;27	E123	SDO.09	;23
#TP91	.1i	SDI.13'	;27	E124	SDO.11	;23
#TP92	.1i	SDI.12'	;27	E125	SDO.13	;23
#TP93	.1i	SDI.11'	;27	E126	SDO.15	;23
#TP94	.1i	SDI.10'	;27	E127	SDO.17	;23
#TP95	.1i	SDI.09'	;27	E128	SDO.19	;23
#TP96	.1i	SDI.08'	;27	E129	SDO.21	;23
#TP97	.1i	SDI.21'	;27	E130	ZGND	;28
#TP98	.1i	SDI.20'	;27	E132	SAddr.01	;02
#TP99	.1i	SDI.19'	;27	E133	SAddr.03	;02
				E134	SAddr.05	;02
E005		RAS'	;01	E135	SAddr.07	;02
E006		CAS	;01	E136	LatchYH.6	;01
E010		ZGND	;28	E137	LatchYH.5	;01
E012		EnStgBrd	;23	E138	Write'	;02
E018		SDO.00	;23	E140	ZGND	;28
E019		SDO.02	;23	E150	P5V	;28
E020		ZGND	;28	E151	P5V	;28
E021		SDO.04	;23	E160	ZGND	;28
E022		SDO.06	;23	E170	ZGND	;28
E023		SDO.08	;23	E180	ZGND	;28
E024		SDO.10	;23	E185	SDI.21	;22
E025		SDO.12	;23	E186	SDI.19	;22
E026		SDO.14	;23	E187	SDI.17	;22
E027		SDO.16	;23	E188	SDI.15	;22
E028		SDO.18	;23	E189	SDI.13	;22
E029		SDO.20	;23	E190	ZGND	;28
E030		ZGND	;28	E191	SDI.11	;22
E032		SAddr.00	;02	E192	SDI.09	;22
E033		SAddr.02	;02	E193	SDI.07	;22
E034		SAddr.04	;02	E194	SDI.05	;22

XEROX	PROPRIETARY NOTE ON COVER SHEET APPLIES TO ALL SHEETS		DWG SIZE A4	DWG NO. 156P12068		SHEET REV. A
	TITLE	SCHEMATIC, MSC-X		SHEET	33 OF	

E195 SDI.03 ;22
E196 SDI.01 ;22

AAddr.00': u01.9i ;04
AAddr.00': u33.9i ;04
AAddr.00': u65.9i ;04
AAddr.00': u97.9i ;04
AAddr.00': v05.9i ;04
AAddr.00': u73.9i ;04
AAddr.00': u41.9i ;04
AAddr.00': u09.9i ;04
AAddr.00': u17.9i ;04
AAddr.00': u49.9i ;04
AAddr.00': u81.9i ;04
AAddr.00': v13.9i ;04
AAddr.00': v21.9i ;04
AAddr.00': u89.9i ;04
AAddr.00': u57.9i ;04
AAddr.00': u25.9i ;04
AAddr.00': v29.9i ;05
AAddr.00': v53.9i ;05
AAddr.00': v37.9i ;05
AAddr.00': v45.9i ;05
AAddr.00': v61.9i ;05
AAddr.00': v69.9i ;05
AAddr.00': #R2.2i ;24
AAddr.00': #TP1.1i ;27

AAddr.00z': v77.12o ;02
AAddr.00z': #R2.1o ;24

AAddr.01': u01.13i ;04
AAddr.01': u33.13i ;04
AAddr.01': u65.13i ;04
AAddr.01': u97.13i ;04
AAddr.01': v05.13i ;04
AAddr.01': u73.13i ;04
AAddr.01': u41.13i ;04
AAddr.01': u09.13i ;04
AAddr.01': u17.13i ;04
AAddr.01': u49.13i ;04
AAddr.01': u81.13i ;04
AAddr.01': v13.13i ;04
AAddr.01': v21.13i ;04
AAddr.01': u89.13i ;04
AAddr.01': u57.13i ;04
AAddr.01': u25.13i ;04
AAddr.01': v29.13i ;05
AAddr.01': v53.13i ;05
AAddr.01': v37.13i ;05
AAddr.01': v45.13i ;05
AAddr.01': v61.13i ;05
AAddr.01': v69.13i ;05
AAddr.01': #R9.2i ;24
AAddr.01': #TP7.1i ;27

AAddr.01z': v77.3o ;02
AAddr.01z': #R9.1o ;24

AAddr.02': u01.10i ;04
AAddr.02': u33.10i ;04
AAddr.02': u65.10i ;04
AAddr.02': u97.10i ;04
AAddr.02': v05.10i ;04
AAddr.02': u73.10i ;04
AAddr.02': u41.10i ;04
AAddr.02': u09.10i ;04
AAddr.02': u17.10i ;04
AAddr.02': u49.10i ;04
AAddr.02': u81.10i ;04
AAddr.02': v13.10i ;04
AAddr.02': v21.10i ;04
AAddr.02': u89.10i ;04
AAddr.02': u57.10i ;04
AAddr.02': u25.10i ;04
AAddr.02': v29.10i ;05
AAddr.02': v53.10i ;05
AAddr.02': v37.10i ;05
AAddr.02': v45.10i ;05
AAddr.02': v61.10i ;05
AAddr.02': v69.10i ;05
AAddr.02': #R3.2i ;24
AAddr.02': #TP5.1i ;27

AAddr.02z': v77.9o ;02
AAddr.02z': #R3.1o ;24

AAddr.03': u01.11i ;04
AAddr.03': u33.11i ;04
AAddr.03': u65.11i ;04
AAddr.03': u97.11i ;04
AAddr.03': v05.11i ;04
AAddr.03': u73.11i ;04
AAddr.03': u41.11i ;04
AAddr.03': u09.11i ;04
AAddr.03': u17.11i ;04
AAddr.03': u49.11i ;04
AAddr.03': u81.11i ;04
AAddr.03': v13.11i ;04
AAddr.03': v21.11i ;04
AAddr.03': u89.11i ;04
AAddr.03': u57.11i ;04
AAddr.03': u25.11i ;04
AAddr.03': v29.11i ;05
AAddr.03': v53.11i ;05
AAddr.03': v37.11i ;05
AAddr.03': v45.11i ;05
AAddr.03': v61.11i ;05
AAddr.03': v69.11i ;05
AAddr.03': #R5.2i ;24
AAddr.03': #TP3.1i ;27

AAddr.03z': v77.7o ;02
AAddr.03z': #R5.1o ;24

AAddr.04': u01.12i ;04
AAddr.04': u33.12i ;04

XEROX	PROPRIETARY NOTE ON COVER SHEET APPLIES TO ALL SHEETS		DWG SIZE A4	DWG NO. 156P12068	SHEET REV. A
	TITLE SCHEMATIC, MSC-X		SHEET 34	OF	

AAddr.04': u65.12i ;04
 AAddr.04': u97.12i ;04
 AAddr.04': v05.12i ;04
 AAddr.04': u73.12i ;04
 AAddr.04': u41.12i ;04
 AAddr.04': u09.12i ;04
 AAddr.04': u17.12i ;04
 AAddr.04': u49.12i ;04
 AAddr.04': u81.12i ;04
 AAddr.04': v13.12i ;04
 AAddr.04': v21.12i ;04
 AAddr.04': u89.12i ;04
 AAddr.04': u57.12i ;04
 AAddr.04': u25.12i ;04
 AAddr.04': v29.12i ;05
 AAddr.04': v53.12i ;05
 AAddr.04': v37.12i ;05
 AAddr.04': v45.12i ;05
 AAddr.04': v61.12i ;05
 AAddr.04': v69.12i ;05
 AAddr.04': #R7.2i ;24
 AAddr.04': #TP6.1i ;27

AAddr.04z': v77.5o ;02
 AAddr.04z': #R7.1o ;24

AAddr.05': u01.6i ;04
 AAddr.05': u33.6i ;04
 AAddr.05': u65.6i ;04
 AAddr.05': u97.6i ;04
 AAddr.05': v05.6i ;04
 AAddr.05': u73.6i ;04
 AAddr.05': u41.6i ;04
 AAddr.05': u09.6i ;04
 AAddr.05': u17.6i ;04
 AAddr.05': u49.6i ;04
 AAddr.05': u81.6i ;04
 AAddr.05': v13.6i ;04
 AAddr.05': v21.6i ;04
 AAddr.05': u89.6i ;04
 AAddr.05': u57.6i ;04
 AAddr.05': u25.6i ;04
 AAddr.05': v29.6i ;05
 AAddr.05': v53.6i ;05
 AAddr.05': v37.6i ;05
 AAddr.05': v45.6i ;05
 AAddr.05': v61.6i ;05
 AAddr.05': v69.6i ;05
 AAddr.05': #R6.2i ;24
 AAddr.05': #TP8.1i ;27

AAddr.05z': v77.16o ;02
 AAddr.05z': #R6.1o ;24

AAddr.06': u01.7i ;04
 AAddr.06': u33.7i ;04
 AAddr.06': u65.7i ;04
 AAddr.06': u97.7i ;04
 AAddr.06': v05.7i ;04

AAddr.06': u73.7i ;04
 AAddr.06': u41.7i ;04
 AAddr.06': u09.7i ;04
 AAddr.06': u17.7i ;04
 AAddr.06': u49.7i ;04
 AAddr.06': u81.7i ;04
 AAddr.06': v13.7i ;04
 AAddr.06': v21.7i ;04
 AAddr.06': u89.7i ;04
 AAddr.06': u57.7i ;04
 AAddr.06': u25.7i ;04
 AAddr.06': v29.7i ;05
 AAddr.06': v53.7i ;05
 AAddr.06': v37.7i ;05
 AAddr.06': v45.7i ;05
 AAddr.06': v61.7i ;05
 AAddr.06': v69.7i ;05
 AAddr.06': #R4.2i ;24
 AAddr.06': #TP4.1i ;27

AAddr.06z': v77.14o ;02
 AAddr.06z': #R4.1o ;24

AAddr.07': u01.5i ;04
 AAddr.07': u33.5i ;04
 AAddr.07': u65.5i ;04
 AAddr.07': u97.5i ;04
 AAddr.07': v05.5i ;04
 AAddr.07': u73.5i ;04
 AAddr.07': u41.5i ;04
 AAddr.07': u09.5i ;04
 AAddr.07': u17.5i ;04
 AAddr.07': u49.5i ;04
 AAddr.07': u81.5i ;04
 AAddr.07': v13.5i ;04
 AAddr.07': v21.5i ;04
 AAddr.07': u89.5i ;04
 AAddr.07': u57.5i ;04
 AAddr.07': u25.5i ;04
 AAddr.07': v29.5i ;05
 AAddr.07': v53.5i ;05
 AAddr.07': v37.5i ;05
 AAddr.07': v45.5i ;05
 AAddr.07': v61.5i ;05
 AAddr.07': v69.5i ;05
 AAddr.07': #R8.2i ;24
 AAddr.07': #TP125.1i ;27

AAddr.07z': v77.18o ;02
 AAddr.07z': #R8.1o ;24

aRAS: v92.4o, v78.9i, v78.5i ;01
 aRAS: v78.12i, v78.1i

aWrite: v92.6o ;02
 aWrite: v83.8i ;02
 aWrite: v84.6i ;02
 aWrite: v79.4i ;02
 aWrite: v85.2i ;02

XEROX	PROPRIETARY NOTE ON COVER SHEET APPLIES TO ALL SHEETS		DWG SIZE A4	DWG NO. 156P12068		SHEET REV. A
	TITLE SCHEMATIC, MSC-X			SHEET 35	OF	

aWrite: v86.8i ;03
aWrite: v87.6i ;03
aWrite: v82.4i ;03
aWrite: v88.2i ;03

BAddr.00': u02.9i ;06
BAddr.00': u34.9i ;06
BAddr.00': u66.9i ;06
BAddr.00': u98.9i ;06
BAddr.00': v06.9i ;06
BAddr.00': u74.9i ;06
BAddr.00': u42.9i ;06
BAddr.00': u10.9i ;06
BAddr.00': u18.9i ;06
BAddr.00': u50.9i ;06
BAddr.00': u82.9i ;06
BAddr.00': v14.9i ;06
BAddr.00': v22.9i ;06
BAddr.00': u90.9i ;06
BAddr.00': u58.9i ;06
BAddr.00': u26.9i ;06
BAddr.00': v30.9i ;07
BAddr.00': v54.9i ;07
BAddr.00': v62.9i ;07
BAddr.00': v38.9i ;07
BAddr.00': v46.9i ;07
BAddr.00': v70.9i ;07
BAddr.00': #R13.2i ;24
BAddr.00': #TP23.1i ;27

BAddr.00z': v83.14o ;02
BAddr.00z': #R13.1o ;24

BAddr.01': u02.13i ;06
BAddr.01': u34.13i ;06
BAddr.01': u66.13i ;06
BAddr.01': u98.13i ;06
BAddr.01': v06.13i ;06
BAddr.01': u74.13i ;06
BAddr.01': u42.13i ;06
BAddr.01': u10.13i ;06
BAddr.01': u18.13i ;06
BAddr.01': u50.13i ;06
BAddr.01': u82.13i ;06
BAddr.01': v14.13i ;06
BAddr.01': v22.13i ;06
BAddr.01': u90.13i ;06
BAddr.01': u58.13i ;06
BAddr.01': u26.13i ;06
BAddr.01': v30.13i ;07
BAddr.01': v54.13i ;07
BAddr.01': v62.13i ;07
BAddr.01': v38.13i ;07
BAddr.01': v46.13i ;07
BAddr.01': v70.13i ;07
BAddr.01': #R20.2i ;24
BAddr.01': #TP13.1i ;27

BAddr.01z': v84.9o ;02

BAddr.01z': #R20.1o ;24

BAddr.02': u02.10i ;06
BAddr.02': u34.10i ;06
BAddr.02': u66.10i ;06
BAddr.02': u98.10i ;06
BAddr.02': v06.10i ;06
BAddr.02': u74.10i ;06
BAddr.02': u42.10i ;06
BAddr.02': u10.10i ;06
BAddr.02': u18.10i ;06
BAddr.02': u50.10i ;06
BAddr.02': u82.10i ;06
BAddr.02': v14.10i ;06
BAddr.02': v22.10i ;06
BAddr.02': u90.10i ;06
BAddr.02': u58.10i ;06
BAddr.02': u26.10i ;06
BAddr.02': v30.10i ;07
BAddr.02': v54.10i ;07
BAddr.02': v62.10i ;07
BAddr.02': v38.10i ;07
BAddr.02': v46.10i ;07
BAddr.02': v70.10i ;07
BAddr.02': #R14.2i ;24
BAddr.02': #TP11.1i ;27

BAddr.02z': v83.7o ;02
BAddr.02z': #R14.1o ;24

BAddr.03': u02.11i ;06
BAddr.03': u34.11i ;06
BAddr.03': u66.11i ;06
BAddr.03': u98.11i ;06
BAddr.03': v06.11i ;06
BAddr.03': u74.11i ;06
BAddr.03': u42.11i ;06
BAddr.03': u10.11i ;06
BAddr.03': u18.11i ;06
BAddr.03': u50.11i ;06
BAddr.03': u82.11i ;06
BAddr.03': v14.11i ;06
BAddr.03': v22.11i ;06
BAddr.03': u90.11i ;06
BAddr.03': u58.11i ;06
BAddr.03': u26.11i ;06
BAddr.03': v30.11i ;07
BAddr.03': v54.11i ;07
BAddr.03': v62.11i ;07
BAddr.03': v38.11i ;07
BAddr.03': v46.11i ;07
BAddr.03': v70.11i ;07
BAddr.03': #R16.2i ;24
BAddr.03': #TP9.1i ;27

BAddr.03z': v83.5o ;02
BAddr.03z': #R16.1o ;24

BAddr.04': u02.12i ;06

XEROX	PROPRIETARY NOTE ON COVER SHEET APPLIES TO ALL SHEETS		DWG SIZE A4	DWG NO. 156P12068	SHEET REV. A
	TITLE SCHEMATIC, MSC-X			SHEET 36 OF	

BAddr.04': u34.12i ;06
 BAddr.04': u66.12i ;06
 BAddr.04': u98.12i ;06
 BAddr.04': v06.12i ;06
 BAddr.04': u74.12i ;06
 BAddr.04': u42.12i ;06
 BAddr.04': u10.12i ;06
 BAddr.04': u18.12i ;06
 BAddr.04': u50.12i ;06
 BAddr.04': u82.12i ;06
 BAddr.04': v14.12i ;06
 BAddr.04': v22.12i ;06
 BAddr.04': u90.12i ;06
 BAddr.04': u58.12i ;06
 BAddr.04': u26.12i ;06
 BAddr.04': v30.12i ;07
 BAddr.04': v54.12i ;07
 BAddr.04': v62.12i ;07
 BAddr.04': v38.12i ;07
 BAddr.04': v46.12i ;07
 BAddr.04': v70.12i ;07
 BAddr.04': #R18.2i ;24
 BAddr.04': #TP12.1i ;27

BAddr.04z': v83.3o ;02
 BAddr.04z': #R18.1o ;24

BAddr.05': u02.6i ;06
 BAddr.05': u34.6i ;06
 BAddr.05': u66.6i ;06
 BAddr.05': u98.6i ;06
 BAddr.05': v06.6i ;06
 BAddr.05': u74.6i ;06
 BAddr.05': u42.6i ;06
 BAddr.05': u10.6i ;06
 BAddr.05': u18.6i ;06
 BAddr.05': u50.6i ;06
 BAddr.05': u82.6i ;06
 BAddr.05': v14.6i ;06
 BAddr.05': v22.6i ;06
 BAddr.05': u90.6i ;06
 BAddr.05': u58.6i ;06
 BAddr.05': u26.6i ;06
 BAddr.05': v30.6i ;07
 BAddr.05': v54.6i ;07
 BAddr.05': v62.6i ;07
 BAddr.05': v38.6i ;07
 BAddr.05': v46.6i ;07
 BAddr.05': v70.6i ;07
 BAddr.05': #R17.2i ;24
 BAddr.05': #TP14.1i ;27

BAddr.05z': v83.18o ;02
 BAddr.05z': #R17.1o ;24

BAddr.06': u02.7i ;06
 BAddr.06': u34.7i ;06
 BAddr.06': u66.7i ;06
 BAddr.06': u98.7i ;06

BAddr.06': v06.7i ;06
 BAddr.06': u74.7i ;06
 BAddr.06': u42.7i ;06
 BAddr.06': u10.7i ;06
 BAddr.06': u18.7i ;06
 BAddr.06': u50.7i ;06
 BAddr.06': u82.7i ;06
 BAddr.06': v14.7i ;06
 BAddr.06': v22.7i ;06
 BAddr.06': u90.7i ;06
 BAddr.06': u58.7i ;06
 BAddr.06': u26.7i ;06
 BAddr.06': v30.7i ;07
 BAddr.06': v54.7i ;07
 BAddr.06': v62.7i ;07
 BAddr.06': v38.7i ;07
 BAddr.06': v46.7i ;07
 BAddr.06': v70.7i ;07
 BAddr.06': #R15.2i ;24
 BAddr.06': #TP10.1i ;27

BAddr.06z': v83.16o ;02
 BAddr.06z': #R15.1o ;24

BAddr.07': u02.5i ;06
 BAddr.07': u34.5i ;06
 BAddr.07': u66.5i ;06
 BAddr.07': u98.5i ;06
 BAddr.07': v06.5i ;06
 BAddr.07': u74.5i ;06
 BAddr.07': u42.5i ;06
 BAddr.07': u10.5i ;06
 BAddr.07': u18.5i ;06
 BAddr.07': u50.5i ;06
 BAddr.07': u82.5i ;06
 BAddr.07': v14.5i ;06
 BAddr.07': v22.5i ;06
 BAddr.07': u90.5i ;06
 BAddr.07': u58.5i ;06
 BAddr.07': u26.5i ;06
 BAddr.07': v30.5i ;07
 BAddr.07': v54.5i ;07
 BAddr.07': v62.5i ;07
 BAddr.07': v38.5i ;07
 BAddr.07': v46.5i ;07
 BAddr.07': v70.5i ;07
 BAddr.07': #R19.2i ;24
 BAddr.07': #TP127.1i ;27

BAddr.07z': v84.12o ;02
 BAddr.07z': #R19.1o ;24

bRAS: v92.2o, v81.9i, v81.5i ;01
 bRAS: v81.12i, v81.1i

CAddr.00': u03.9i ;08
 CAddr.00': u35.9i ;08
 CAddr.00': u67.9i ;08
 CAddr.00': u99.9i ;08

XEROX	PROPRIETARY NOTE ON COVER SHEET APPLIES TO ALL SHEETS		DWG SIZE A4	DWG NO. 156P12068	SHEET REV. A
	TITLE SCHEMATIC, MSC-X		SHEET 37	OF	

CAddr.00': v07.9i ;08
 CAddr.00': u75.9i ;08
 CAddr.00': u43.9i ;08
 CAddr.00': u11.9i ;08
 CAddr.00': u19.9i ;08
 CAddr.00': u51.9i ;08
 CAddr.00': u83.9i ;08
 CAddr.00': v15.9i ;08
 CAddr.00': v23.9i ;08
 CAddr.00': u91.9i ;08
 CAddr.00': u59.9i ;08
 CAddr.00': u27.9i ;08
 CAddr.00': v31.9i ;09
 CAddr.00': v55.9i ;09
 CAddr.00': v39.9i ;09
 CAddr.00': v47.9i ;09
 CAddr.00': v63.9i ;09
 CAddr.00': v71.9i ;09
 CAddr.00': #R24.2i ;24
 CAddr.00': #TP29.1i ;27

CAddr.00z': v84.16o ;02
 CAddr.00z': #R24.1o ;24

CAddr.01': u03.13i ;08
 CAddr.01': u35.13i ;08
 CAddr.01': u67.13i ;08
 CAddr.01': u99.13i ;08
 CAddr.01': v07.13i ;08
 CAddr.01': u75.13i ;08
 CAddr.01': u43.13i ;08
 CAddr.01': u11.13i ;08
 CAddr.01': u19.13i ;08
 CAddr.01': u51.13i ;08
 CAddr.01': u83.13i ;08
 CAddr.01': v15.13i ;08
 CAddr.01': v23.13i ;08
 CAddr.01': u91.13i ;08
 CAddr.01': u59.13i ;08
 CAddr.01': u27.13i ;08
 CAddr.01': v31.13i ;09
 CAddr.01': v55.13i ;09
 CAddr.01': v39.13i ;09
 CAddr.01': v47.13i ;09
 CAddr.01': v63.13i ;09
 CAddr.01': v71.13i ;09
 CAddr.01': #R31.2i ;24
 CAddr.01': #TP19.1i ;27

CAddr.01z': v79.7o ;02
 CAddr.01z': #R31.1o ;24

CAddr.02': u03.10i ;08
 CAddr.02': u35.10i ;08
 CAddr.02': u67.10i ;08
 CAddr.02': u99.10i ;08
 CAddr.02': v07.10i ;08
 CAddr.02': u75.10i ;08
 CAddr.02': u43.10i ;08

CAddr.02': u11.10i ;08
 CAddr.02': u19.10i ;08
 CAddr.02': u51.10i ;08
 CAddr.02': u83.10i ;08
 CAddr.02': v15.10i ;08
 CAddr.02': v23.10i ;08
 CAddr.02': u91.10i ;08
 CAddr.02': u59.10i ;08
 CAddr.02': u27.10i ;08
 CAddr.02': v31.10i ;09
 CAddr.02': v55.10i ;09
 CAddr.02': v39.10i ;09
 CAddr.02': v47.10i ;09
 CAddr.02': v63.10i ;09
 CAddr.02': v71.10i ;09
 CAddr.02': #R25.2i ;24
 CAddr.02': #TP17.1i ;27

CAddr.02z': v84.5o ;02
 CAddr.02z': #R25.1o ;24

CAddr.03': u03.11i ;08
 CAddr.03': u35.11i ;08
 CAddr.03': u67.11i ;08
 CAddr.03': u99.11i ;08
 CAddr.03': v07.11i ;08
 CAddr.03': u75.11i ;08
 CAddr.03': u43.11i ;08
 CAddr.03': u11.11i ;08
 CAddr.03': u19.11i ;08
 CAddr.03': u51.11i ;08
 CAddr.03': u83.11i ;08
 CAddr.03': v15.11i ;08
 CAddr.03': v23.11i ;08
 CAddr.03': u91.11i ;08
 CAddr.03': u59.11i ;08
 CAddr.03': u27.11i ;08
 CAddr.03': v31.11i ;09
 CAddr.03': v55.11i ;09
 CAddr.03': v39.11i ;09
 CAddr.03': v47.11i ;09
 CAddr.03': v63.11i ;09
 CAddr.03': v71.11i ;09
 CAddr.03': #R27.2i ;24
 CAddr.03': #TP31.1i ;27

CAddr.03z': v84.3o ;02
 CAddr.03z': #R27.1o ;24

CAddr.04': u03.12i ;08
 CAddr.04': u35.12i ;08
 CAddr.04': u67.12i ;08
 CAddr.04': u99.12i ;08
 CAddr.04': v07.12i ;08
 CAddr.04': u75.12i ;08
 CAddr.04': u43.12i ;08
 CAddr.04': u11.12i ;08
 CAddr.04': u19.12i ;08
 CAddr.04': u51.12i ;08

XEROX	PROPRIETARY NOTE ON COVER SHEET APPLIES TO ALL SHEETS		DWG SIZE A4	DWG NO. 156P12068	SHEET REV. A
	TITLE SCHEMATIC, MSC-X			SHEET 38 OF	

CAddr.04': u83.12i ;08
CAddr.04': v15.12i ;08
CAddr.04': v23.12i ;08
CAddr.04': u91.12i ;08
CAddr.04': u59.12i ;08
CAddr.04': u27.12i ;08
CAddr.04': v31.12i ;09
CAddr.04': v55.12i ;09
CAddr.04': v39.12i ;09
CAddr.04': v47.12i ;09
CAddr.04': v63.12i ;09
CAddr.04': v71.12i ;09
CAddr.04': #R29.2i ;24
CAddr.04': #TP18.1i ;27

CAddr.04z': v79.9o ;02
CAddr.04z': #R29.1o ;24

CAddr.05': u03.6i ;08
CAddr.05': u35.6i ;08
CAddr.05': u67.6i ;08
CAddr.05': u99.6i ;08
CAddr.05': v07.6i ;08
CAddr.05': u75.6i ;08
CAddr.05': u43.6i ;08
CAddr.05': u11.6i ;08
CAddr.05': u19.6i ;08
CAddr.05': u51.6i ;08
CAddr.05': u83.6i ;08
CAddr.05': v15.6i ;08
CAddr.05': v23.6i ;08
CAddr.05': u91.6i ;08
CAddr.05': u59.6i ;08
CAddr.05': u27.6i ;08
CAddr.05': v31.6i ;09
CAddr.05': v55.6i ;09
CAddr.05': v39.6i ;09
CAddr.05': v47.6i ;09
CAddr.05': v63.6i ;09
CAddr.05': v71.6i ;09
CAddr.05': #R28.2i ;24
CAddr.05': #TP20.1i ;27

CAddr.05z': v79.12o ;02
CAddr.05z': #R28.1o ;24

CAddr.06': u03.7i ;08
CAddr.06': u35.7i ;08
CAddr.06': u67.7i ;08
CAddr.06': u99.7i ;08
CAddr.06': v07.7i ;08
CAddr.06': u75.7i ;08
CAddr.06': u43.7i ;08
CAddr.06': u11.7i ;08
CAddr.06': u19.7i ;08
CAddr.06': u51.7i ;08
CAddr.06': u83.7i ;08
CAddr.06': v15.7i ;08
CAddr.06': v23.7i ;08

CAddr.06': u91.7i ;08
CAddr.06': u59.7i ;08
CAddr.06': u27.7i ;08
CAddr.06': v31.7i ;09
CAddr.06': v55.7i ;09
CAddr.06': v39.7i ;09
CAddr.06': v47.7i ;09
CAddr.06': v63.7i ;09
CAddr.06': v71.7i ;09
CAddr.06': #R26.2i ;24
CAddr.06': #TP32.1i ;27

CAddr.06z': v84.18o ;02
CAddr.06z': #R26.1o ;24

CAddr.07': u03.5i ;08
CAddr.07': u35.5i ;08
CAddr.07': u67.5i ;08
CAddr.07': u99.5i ;08
CAddr.07': v07.5i ;08
CAddr.07': u75.5i ;08
CAddr.07': u43.5i ;08
CAddr.07': u11.5i ;08
CAddr.07': u19.5i ;08
CAddr.07': u51.5i ;08
CAddr.07': u83.5i ;08
CAddr.07': v15.5i ;08
CAddr.07': v23.5i ;08
CAddr.07': u91.5i ;08
CAddr.07': u59.5i ;08
CAddr.07': u27.5i ;08
CAddr.07': v31.5i ;09
CAddr.07': v55.5i ;09
CAddr.07': v39.5i ;09
CAddr.07': v47.5i ;09
CAddr.07': v63.5i ;09
CAddr.07': v71.5i ;09
CAddr.07': #R30.2i ;24
CAddr.07': #TP129.1i ;27

CAddr.07z': v79.14o ;02
CAddr.07z': #R30.1o ;24

CAS: E6, v91.12i ;01
CAS: v89.9o ;26

CASA': u01.15i ;04
CASA': u33.15i ;04
CASA': u65.15i ;04
CASA': u97.15i ;04
CASA': v05.15i ;04
CASA': u73.15i ;04
CASA': u41.15i ;04
CASA': u09.15i ;04
CASA': u17.15i ;04
CASA': u49.15i ;04
CASA': u81.15i ;04
CASA': v13.15i ;04
CASA': v21.15i ;04

XEROX	PROPRIETARY NOTE ON COVER SHEET APPLIES TO ALL SHEETS		DWG SIZE A4	DWG NO. 156P12068		SHEET REV. A
	TITLE SCHEMATIC, MSC-X			SHEET 39	OF	

CASA': u89.15i ;04
 CASA': u57.15i ;04
 CASA': u25.15i ;04
 CASA': v37.15i ;05
 CASA': v45.15i ;05
 CASA': v69.15i ;05
 CASA': v61.15i ;05
 CASA': v53.15i ;05
 CASA': v29.15i ;05
 CASA': #R12.2i ;24
 CASA': #TP15.1i ;27

CASAz': v83.9o ;01
 CASAz': #R12.1o ;24

CASB': u02.15i ;06
 CASB': u34.15i ;06
 CASB': u66.15i ;06
 CASB': u98.15i ;06
 CASB': v06.15i ;06
 CASB': u74.15i ;06
 CASB': u42.15i ;06
 CASB': u10.15i ;06
 CASB': u18.15i ;06
 CASB': u50.15i ;06
 CASB': u82.15i ;06
 CASB': v14.15i ;06
 CASB': v22.15i ;06
 CASB': u90.15i ;06
 CASB': u58.15i ;06
 CASB': u26.15i ;06
 CASB': v30.15i ;07
 CASB': v54.15i ;07
 CASB': v62.15i ;07
 CASB': v38.15i ;07
 CASB': v46.15i ;07
 CASB': v70.15i ;07
 CASB': #R23.2i ;24
 CASB': #TP21.1i ;27

CASBz': v84.7o ;01
 CASBz': #R23.1o ;24

CASC': u03.15i ;08
 CASC': u35.15i ;08
 CASC': u67.15i ;08
 CASC': u99.15i ;08
 CASC': v07.15i ;08
 CASC': u75.15i ;08
 CASC': u43.15i ;08
 CASC': u11.15i ;08
 CASC': u19.15i ;08
 CASC': u51.15i ;08
 CASC': u83.15i ;08
 CASC': v15.15i ;08
 CASC': v23.15i ;08
 CASC': u91.15i ;08
 CASC': u59.15i ;08
 CASC': u27.15i ;08

CASC': v31.15i ;09
 CASC': v55.15i ;09
 CASC': v63.15i ;09
 CASC': v39.15i ;09
 CASC': v47.15i ;09
 CASC': v71.15i ;09
 CASC': #R34.2i ;24
 CASC': #TP27.1i ;27

CASCz': v79.5o ;01
 CASCz': #R34.1o ;24

CASD': u04.15i ;10
 CASD': u36.15i ;10
 CASD': u68.15i ;10
 CASD': v00.15i ;10
 CASD': v08.15i ;10
 CASD': u76.15i ;10
 CASD': u44.15i ;10
 CASD': u12.15i ;10
 CASD': u20.15i ;10
 CASD': u52.15i ;10
 CASD': u84.15i ;10
 CASD': v16.15i ;10
 CASD': v24.15i ;10
 CASD': u92.15i ;10
 CASD': u60.15i ;10
 CASD': u28.15i ;10
 CASD': v32.15i ;11
 CASD': v56.15i ;11
 CASD': v64.15i ;11
 CASD': v40.15i ;11
 CASD': v48.15i ;11
 CASD': v72.15i ;11
 CASD': #R45.2i ;24
 CASD': #TP33.1i ;27

CASDz': v85.3o ;01
 CASDz': #R45.1o ;24

CASE': u05.15i ;12
 CASE': u37.15i ;12
 CASE': u69.15i ;12
 CASE': v01.15i ;12
 CASE': v17.15i ;12
 CASE': u85.15i ;12
 CASE': u53.15i ;12
 CASE': u21.15i ;12
 CASE': u29.15i ;12
 CASE': u61.15i ;12
 CASE': u93.15i ;12
 CASE': v25.15i ;12
 CASE': v09.15i ;12
 CASE': u77.15i ;12
 CASE': u45.15i ;12
 CASE': u13.15i ;12
 CASE': v33.15i ;13
 CASE': v57.15i ;13
 CASE': v65.15i ;13

CASE': v41.15i ;13
CASE': v49.15i ;13
CASE': v73.15i ;13
CASE': #R55.2i ;25
CASE': #TP55.1i ;27

CASEz': v86.9o ;01
CASEz': #R55.1o ;25

CASF': u06.15i ;14
CASF': u38.15i ;14
CASF': u70.15i ;14
CASF': v02.15i ;14
CASF': v10.15i ;14
CASF': u78.15i ;14
CASF': u46.15i ;14
CASF': u14.15i ;14
CASF': u22.15i ;14
CASF': u54.15i ;14
CASF': u86.15i ;14
CASF': v18.15i ;14
CASF': v26.15i ;14
CASF': u94.15i ;14
CASF': u62.15i ;14
CASF': u30.15i ;14
CASF': v34.15i ;15
CASF': v58.15i ;15
CASF': v66.15i ;15
CASF': v42.15i ;15
CASF': v50.15i ;15
CASF': v74.15i ;15
CASF': #R66.2i ;25
CASF': #TP61.1i ;27

CASFz': v87.7o ;01
CASFz': #R66.1o ;25

CASG': u07.15i ;16
CASG': u39.15i ;16
CASG': u71.15i ;16
CASG': v03.15i ;16
CASG': v11.15i ;16
CASG': u79.15i ;16
CASG': u47.15i ;16
CASG': u15.15i ;16
CASG': u23.15i ;16
CASG': u55.15i ;16
CASG': u87.15i ;16
CASG': v19.15i ;16
CASG': v27.15i ;16
CASG': u95.15i ;16
CASG': u63.15i ;16
CASG': u31.15i ;16
CASG': v35.15i ;17
CASG': v59.15i ;17
CASG': v67.15i ;17
CASG': v43.15i ;17
CASG': v51.15i ;17
CASG': v75.15i ;17

CASG': #R77.2i ;25
CASG': #TP67.1i ;27

CASGz': v82.5o ;01
CASGz': #R77.1o ;25

CASH': u08.15i ;18
CASH': u40.15i ;18
CASH': u72.15i ;18
CASH': v04.15i ;18
CASH': v12.15i ;18
CASH': u80.15i ;18
CASH': u48.15i ;18
CASH': u16.15i ;18
CASH': u24.15i ;18
CASH': u56.15i ;18
CASH': u88.15i ;18
CASH': v20.15i ;18
CASH': v28.15i ;18
CASH': u96.15i ;18
CASH': u64.15i ;18
CASH': u32.15i ;18
CASH': v36.15i ;19
CASH': v60.15i ;19
CASH': v68.15i ;19
CASH': v44.15i ;19
CASH': v52.15i ;19
CASH': v76.15i ;19
CASH': #R88.2i ;25
CASH': #TP73.1i ;27

CASHz': v88.3o ;01
CASHz': #R88.1o ;25

CASRef': v91.11o, v91.2i, v91.1i ;01

CASRef: w05.11i, v91.3o ;01

CRefresh': E116, v92.9i ;01
CRefresh': v89.10o ;26

CRefresh: v92.8o, v92.11i ;01

CRefresha': v93.2i, v93.13i ;01
CRefresha': v93.5i, v93.10i
CRefresha': v91.5i, v91.10i
CRefresha': v90.5i, v90.11i
CRefresha': v92.10o, v91.13i

DAddr.00': u04.9i ;10
DAddr.00': u36.9i ;10
DAddr.00': u68.9i ;10
DAddr.00': v00.9i ;10
DAddr.00': v08.9i ;10
DAddr.00': u76.9i ;10
DAddr.00': u44.9i ;10
DAddr.00': u12.9i ;10
DAddr.00': u20.9i ;10
DAddr.00': u52.9i ;10

XEROX	PROPRIETARY NOTE ON COVER SHEET APPLIES TO ALL SHEETS		DWG SIZE	DWG NO. 156P12068	SHEET REV.
	TITLE	SCHEMATIC, MSC-X	A4	SHEET 41 OF	A

DAddr.00': u84.9i ;10
 DAddr.00': v16.9i ;10
 DAddr.00': v24.9i ;10
 DAddr.00': u92.9i ;10
 DAddr.00': u60.9i ;10
 DAddr.00': u28.9i ;10
 DAddr.00': v32.9i ;11
 DAddr.00': v56.9i ;11
 DAddr.00': v40.9i ;11
 DAddr.00': v48.9i ;11
 DAddr.00': v72.9i ;11
 DAddr.00': v64.9i ;11
 DAddr.00': #R35.2i ;24
 DAddr.00': #TP35.1i ;27

DAddr.00z': v79.18o ;02
 DAddr.00z': #R35.1o ;24

DAddr.01': u04.13i ;10
 DAddr.01': u36.13i ;10
 DAddr.01': u68.13i ;10
 DAddr.01': v00.13i ;10
 DAddr.01': v08.13i ;10
 DAddr.01': u76.13i ;10
 DAddr.01': u44.13i ;10
 DAddr.01': u12.13i ;10
 DAddr.01': u20.13i ;10
 DAddr.01': u52.13i ;10
 DAddr.01': u84.13i ;10
 DAddr.01': v16.13i ;10
 DAddr.01': v24.13i ;10
 DAddr.01': u92.13i ;10
 DAddr.01': u60.13i ;10
 DAddr.01': u28.13i ;10
 DAddr.01': v32.13i ;11
 DAddr.01': v56.13i ;11
 DAddr.01': v40.13i ;11
 DAddr.01': v48.13i ;11
 DAddr.01': v72.13i ;11
 DAddr.01': v64.13i ;11
 DAddr.01': #R42.2i ;24
 DAddr.01': #TP25.1i ;27

DAddr.01z': v85.5o ;02
 DAddr.01z': #R42.1o ;24

DAddr.02': u04.10i ;10
 DAddr.02': u36.10i ;10
 DAddr.02': u68.10i ;10
 DAddr.02': v00.10i ;10
 DAddr.02': v08.10i ;10
 DAddr.02': u76.10i ;10
 DAddr.02': u44.10i ;10
 DAddr.02': u12.10i ;10
 DAddr.02': u20.10i ;10
 DAddr.02': u52.10i ;10
 DAddr.02': u84.10i ;10
 DAddr.02': v16.10i ;10
 DAddr.02': v24.10i ;10

DAddr.02': u92.10i ;10
 DAddr.02': u60.10i ;10
 DAddr.02': u28.10i ;10
 DAddr.02': v32.10i ;11
 DAddr.02': v56.10i ;11
 DAddr.02': v40.10i ;11
 DAddr.02': v48.10i ;11
 DAddr.02': v72.10i ;11
 DAddr.02': v64.10i ;11
 DAddr.02': #R36.2i ;24
 DAddr.02': #TP39.1i ;27

DAddr.02z': v79.3o ;02
 DAddr.02z': #R36.1o ;24

DAddr.03': u04.11i ;10
 DAddr.03': u36.11i ;10
 DAddr.03': u68.11i ;10
 DAddr.03': v00.11i ;10
 DAddr.03': v08.11i ;10
 DAddr.03': u76.11i ;10
 DAddr.03': u44.11i ;10
 DAddr.03': u12.11i ;10
 DAddr.03': u20.11i ;10
 DAddr.03': u52.11i ;10
 DAddr.03': u84.11i ;10
 DAddr.03': v16.11i ;10
 DAddr.03': v24.11i ;10
 DAddr.03': u92.11i ;10
 DAddr.03': u60.11i ;10
 DAddr.03': u28.11i ;10
 DAddr.03': v32.11i ;11
 DAddr.03': v56.11i ;11
 DAddr.03': v40.11i ;11
 DAddr.03': v48.11i ;11
 DAddr.03': v72.11i ;11
 DAddr.03': v64.11i ;11
 DAddr.03': #R38.2i ;24
 DAddr.03': #TP37.1i ;27

DAddr.03z': v85.9o ;02
 DAddr.03z': #R38.1o ;24

DAddr.04': u04.12i ;10
 DAddr.04': u36.12i ;10
 DAddr.04': u68.12i ;10
 DAddr.04': v00.12i ;10
 DAddr.04': v08.12i ;10
 DAddr.04': u76.12i ;10
 DAddr.04': u44.12i ;10
 DAddr.04': u12.12i ;10
 DAddr.04': u20.12i ;10
 DAddr.04': u52.12i ;10
 DAddr.04': u84.12i ;10
 DAddr.04': v16.12i ;10
 DAddr.04': v24.12i ;10
 DAddr.04': u92.12i ;10
 DAddr.04': u60.12i ;10
 DAddr.04': u28.12i ;10

XEROX	PROPRIETARY NOTE ON COVER SHEET APPLIES TO ALL SHEETS		DWG SIZE A4	DWG NO. 156P12068		SHEET REV. A
	TITLE SCHEMATIC, MSC-X			SHEET 42	OF	

DAddr.04': v32.12i ;11
 DAddr.04': v56.12i ;11
 DAddr.04': v40.12i ;11
 DAddr.04': v48.12i ;11
 DAddr.04': v72.12i ;11
 DAddr.04': v64.12i ;11
 DAddr.04': #R40.2i ;24
 DAddr.04': #TP40.1i ;27

DAddr.04z': v85.7o ;02
 DAddr.04z': #R40.1o ;24

DAddr.05': u04.6i ;10
 DAddr.05': u36.6i ;10
 DAddr.05': u68.6i ;10
 DAddr.05': v00.6i ;10
 DAddr.05': v08.6i ;10
 DAddr.05': u76.6i ;10
 DAddr.05': u44.6i ;10
 DAddr.05': u12.6i ;10
 DAddr.05': u20.6i ;10
 DAddr.05': u52.6i ;10
 DAddr.05': u84.6i ;10
 DAddr.05': v16.6i ;10
 DAddr.05': v24.6i ;10
 DAddr.05': u92.6i ;10
 DAddr.05': u60.6i ;10
 DAddr.05': u28.6i ;10
 DAddr.05': v32.6i ;11
 DAddr.05': v56.6i ;11
 DAddr.05': v40.6i ;11
 DAddr.05': v48.6i ;11
 DAddr.05': v72.6i ;11
 DAddr.05': v64.6i ;11
 DAddr.05': #R39.2i ;24
 DAddr.05': #TP26.1i ;27

DAddr.05z': v85.14o ;02
 DAddr.05z': #R39.1o ;24

DAddr.06': u04.7i ;10
 DAddr.06': u36.7i ;10
 DAddr.06': u68.7i ;10
 DAddr.06': v00.7i ;10
 DAddr.06': v08.7i ;10
 DAddr.06': u76.7i ;10
 DAddr.06': u44.7i ;10
 DAddr.06': u12.7i ;10
 DAddr.06': u20.7i ;10
 DAddr.06': u52.7i ;10
 DAddr.06': u84.7i ;10
 DAddr.06': v16.7i ;10
 DAddr.06': v24.7i ;10
 DAddr.06': u92.7i ;10
 DAddr.06': u60.7i ;10
 DAddr.06': u28.7i ;10
 DAddr.06': v32.7i ;11
 DAddr.06': v56.7i ;11
 DAddr.06': v40.7i ;11

DAddr.06': v48.7i ;11
 DAddr.06': v72.7i ;11
 DAddr.06': v64.7i ;11
 DAddr.06': #R37.2i ;24
 DAddr.06': #TP38.1i ;27

DAddr.06z': v85.12o ;02
 DAddr.06z': #R37.1o ;24

DAddr.07': u04.5i ;10
 DAddr.07': u36.5i ;10
 DAddr.07': u68.5i ;10
 DAddr.07': v00.5i ;10
 DAddr.07': v08.5i ;10
 DAddr.07': u76.5i ;10
 DAddr.07': u44.5i ;10
 DAddr.07': u12.5i ;10
 DAddr.07': u20.5i ;10
 DAddr.07': u52.5i ;10
 DAddr.07': u84.5i ;10
 DAddr.07': v16.5i ;10
 DAddr.07': v24.5i ;10
 DAddr.07': u92.5i ;10
 DAddr.07': u60.5i ;10
 DAddr.07': u28.5i ;10
 DAddr.07': v32.5i ;11
 DAddr.07': v56.5i ;11
 DAddr.07': v40.5i ;11
 DAddr.07': v48.5i ;11
 DAddr.07': v72.5i ;11
 DAddr.07': v64.5i ;11
 DAddr.07': #R41.2i ;24
 DAddr.07': #TP131.1i ;27

DAddr.07z': v85.16o ;02
 DAddr.07z': #R41.1o ;24

EAddr.00': u05.9i ;12
 EAddr.00': u37.9i ;12
 EAddr.00': u69.9i ;12
 EAddr.00': v01.9i ;12
 EAddr.00': v09.9i ;12
 EAddr.00': u77.9i ;12
 EAddr.00': u45.9i ;12
 EAddr.00': u13.9i ;12
 EAddr.00': u21.9i ;12
 EAddr.00': u53.9i ;12
 EAddr.00': u85.9i ;12
 EAddr.00': v17.9i ;12
 EAddr.00': v25.9i ;12
 EAddr.00': u93.9i ;12
 EAddr.00': u61.9i ;12
 EAddr.00': u29.9i ;12
 EAddr.00': v33.9i ;13
 EAddr.00': v57.9i ;13
 EAddr.00': v41.9i ;13
 EAddr.00': v65.9i ;13
 EAddr.00': v49.9i ;13
 EAddr.00': v73.9i ;13

EAddr.00': #R46.2i ;25
EAddr.00': #TP41.1i ;27

EAddr.02z': v80.9o ;03
EAddr.02z': #R94.1o ;25

EAddr.00z': v80.12o ;03
EAddr.00z': #R46.1o ;25

EAddr.03': u05.11i ;12
EAddr.03': u37.11i ;12
EAddr.03': u69.11i ;12
EAddr.03': v01.11i ;12
EAddr.03': v09.11i ;12
EAddr.03': u77.11i ;12
EAddr.03': u45.11i ;12
EAddr.03': u13.11i ;12
EAddr.03': u21.11i ;12
EAddr.03': u53.11i ;12
EAddr.03': u85.11i ;12
EAddr.03': v17.11i ;12
EAddr.03': v25.11i ;12
EAddr.03': u93.11i ;12
EAddr.03': u61.11i ;12
EAddr.03': u29.11i ;12
EAddr.03': v33.11i ;13
EAddr.03': v57.11i ;13
EAddr.03': v41.11i ;13
EAddr.03': v65.11i ;13
EAddr.03': v49.11i ;13
EAddr.03': v73.11i ;13
EAddr.03': #R48.2i ;25
EAddr.03': #TP43.1i ;27

EAddr.01': u05.13i ;12
EAddr.01': u37.13i ;12
EAddr.01': u69.13i ;12
EAddr.01': v01.13i ;12
EAddr.01': v09.13i ;12
EAddr.01': u77.13i ;12
EAddr.01': u45.13i ;12
EAddr.01': u13.13i ;12
EAddr.01': u21.13i ;12
EAddr.01': u53.13i ;12
EAddr.01': u85.13i ;12
EAddr.01': v17.13i ;12
EAddr.01': v25.13i ;12
EAddr.01': u93.13i ;12
EAddr.01': u61.13i ;12
EAddr.01': u29.13i ;12
EAddr.01': v33.13i ;13
EAddr.01': v57.13i ;13
EAddr.01': v41.13i ;13
EAddr.01': v65.13i ;13
EAddr.01': v49.13i ;13
EAddr.01': v73.13i ;13
EAddr.01': #R52.2i ;25
EAddr.01': #TP47.1i ;27

EAddr.03z': v80.7o ;03
EAddr.03z': #R48.1o ;25

EAddr.01z': v80.3o ;03
EAddr.01z': #R52.1o ;25

EAddr.04': u05.12i ;12
EAddr.04': u37.12i ;12
EAddr.04': u69.12i ;12
EAddr.04': v01.12i ;12
EAddr.04': v09.12i ;12
EAddr.04': u77.12i ;12
EAddr.04': u45.12i ;12
EAddr.04': u13.12i ;12
EAddr.04': u21.12i ;12
EAddr.04': u53.12i ;12
EAddr.04': u85.12i ;12
EAddr.04': v17.12i ;12
EAddr.04': v25.12i ;12
EAddr.04': u93.12i ;12
EAddr.04': u61.12i ;12
EAddr.04': u29.12i ;12
EAddr.04': v33.12i ;13
EAddr.04': v57.12i ;13
EAddr.04': v41.12i ;13
EAddr.04': v65.12i ;13
EAddr.04': v49.12i ;13
EAddr.04': v73.12i ;13
EAddr.04': #R50.2i ;25
EAddr.04': #TP46.1i ;27

EAddr.02': u05.10i ;12
EAddr.02': u37.10i ;12
EAddr.02': u69.10i ;12
EAddr.02': v01.10i ;12
EAddr.02': v09.10i ;12
EAddr.02': u77.10i ;12
EAddr.02': u45.10i ;12
EAddr.02': u13.10i ;12
EAddr.02': u21.10i ;12
EAddr.02': u53.10i ;12
EAddr.02': u85.10i ;12
EAddr.02': v17.10i ;12
EAddr.02': v25.10i ;12
EAddr.02': u93.10i ;12
EAddr.02': u61.10i ;12
EAddr.02': u29.10i ;12
EAddr.02': v33.10i ;13
EAddr.02': v57.10i ;13
EAddr.02': v41.10i ;13
EAddr.02': v65.10i ;13
EAddr.02': v49.10i ;13
EAddr.02': v73.10i ;13
EAddr.02': #R94.2i ;25
EAddr.02': #TP45.1i ;27

EAddr.04z': v80.5o ;03
EAddr.04z': #R50.1o ;25

XEROX	PROPRIETARY NOTE ON COVER SHEET APPLIES TO ALL SHEETS		DWG SIZE A4	DWG NO. 156P12068		SHEET REV. A
	TITLE	SCHMATIC, MSC-X		SHEET	44 OF	

EAddr.05': u05.6i ;12
 EAddr.05': u37.6i ;12
 EAddr.05': u69.6i ;12
 EAddr.05': v01.6i ;12
 EAddr.05': v09.6i ;12
 EAddr.05': u77.6i ;12
 EAddr.05': u45.6i ;12
 EAddr.05': u13.6i ;12
 EAddr.05': u21.6i ;12
 EAddr.05': u53.6i ;12
 EAddr.05': u85.6i ;12
 EAddr.05': v17.6i ;12
 EAddr.05': v25.6i ;12
 EAddr.05': u93.6i ;12
 EAddr.05': u61.6i ;12
 EAddr.05': u29.6i ;12
 EAddr.05': v33.6i ;13
 EAddr.05': v57.6i ;13
 EAddr.05': v41.6i ;13
 EAddr.05': v65.6i ;13
 EAddr.05': v49.6i ;13
 EAddr.05': v73.6i ;13
 EAddr.05': #R49.2i ;25
 EAddr.05': #TP48.1i ;27

EAddr.05z': v80.16o ;03
 EAddr.05z': #R49.1o ;25

EAddr.06': u05.7i ;12
 EAddr.06': u37.7i ;12
 EAddr.06': u69.7i ;12
 EAddr.06': v01.7i ;12
 EAddr.06': v09.7i ;12
 EAddr.06': u77.7i ;12
 EAddr.06': u45.7i ;12
 EAddr.06': u13.7i ;12
 EAddr.06': u21.7i ;12
 EAddr.06': u53.7i ;12
 EAddr.06': u85.7i ;12
 EAddr.06': v17.7i ;12
 EAddr.06': v25.7i ;12
 EAddr.06': u93.7i ;12
 EAddr.06': u61.7i ;12
 EAddr.06': u29.7i ;12
 EAddr.06': v33.7i ;13
 EAddr.06': v57.7i ;13
 EAddr.06': v41.7i ;13
 EAddr.06': v65.7i ;13
 EAddr.06': v49.7i ;13
 EAddr.06': v73.7i ;13
 EAddr.06': #R47.2i ;25
 EAddr.06': #TP44.1i ;27

EAddr.06z': v80.14o ;03
 EAddr.06z': #R47.1o ;25

EAddr.07': u05.5i ;12
 EAddr.07': u37.5i ;12
 EAddr.07': u69.5i ;12

EAddr.07': v01.5i ;12
 EAddr.07': v09.5i ;12
 EAddr.07': u77.5i ;12
 EAddr.07': u45.5i ;12
 EAddr.07': u13.5i ;12
 EAddr.07': u21.5i ;12
 EAddr.07': u53.5i ;12
 EAddr.07': u85.5i ;12
 EAddr.07': v17.5i ;12
 EAddr.07': v25.5i ;12
 EAddr.07': u93.5i ;12
 EAddr.07': u61.5i ;12
 EAddr.07': u29.5i ;12
 EAddr.07': v33.5i ;13
 EAddr.07': v57.5i ;13
 EAddr.07': v41.5i ;13
 EAddr.07': v65.5i ;13
 EAddr.07': v49.5i ;13
 EAddr.07': v73.5i ;13
 EAddr.07': #R51.2i ;25
 EAddr.07': #TP133.1i ;27

EAddr.07z': v80.18o ;03
 EAddr.07z': #R51.1o ;25

EnStgBrd': w03.1i, w04.1i, w04.19i ;23
 EnStgBrd': w03.19i, v94.19i
 EnStgBrd': v92.12o, v94.1i

EnStgBrd: v97.5i ;01
 EnStgBrd: v97.13i ;01
 EnStgBrd: E12, v92.13i ;23
 EnStgBrd: v89.12o ;26

FAddr.00': u06.9i ;14
 FAddr.00': u38.9i ;14
 FAddr.00': u70.9i ;14
 FAddr.00': v02.9i ;14
 FAddr.00': v10.9i ;14
 FAddr.00': u78.9i ;14
 FAddr.00': u46.9i ;14
 FAddr.00': u14.9i ;14
 FAddr.00': u22.9i ;14
 FAddr.00': u54.9i ;14
 FAddr.00': u86.9i ;14
 FAddr.00': v18.9i ;14
 FAddr.00': v26.9i ;14
 FAddr.00': u94.9i ;14
 FAddr.00': u62.9i ;14
 FAddr.00': u30.9i ;14
 FAddr.00': v42.9i ;15
 FAddr.00': v34.9i ;15
 FAddr.00': v58.9i ;15
 FAddr.00': v66.9i ;15
 FAddr.00': v74.9i ;15
 FAddr.00': v50.9i ;15
 FAddr.00': #R56.2i ;25
 FAddr.00': #TP63.1i ;27

FAddr.00z': v86.14o ;03
FAddr.00z': #R56.1o ;25

FAddr.01': u06.13i ;14
FAddr.01': u38.13i ;14
FAddr.01': u70.13i ;14
FAddr.01': v02.13i ;14
FAddr.01': v10.13i ;14
FAddr.01': u78.13i ;14
FAddr.01': u46.13i ;14
FAddr.01': u14.13i ;14
FAddr.01': u22.13i ;14
FAddr.01': u54.13i ;14
FAddr.01': u86.13i ;14
FAddr.01': v18.13i ;14
FAddr.01': v26.13i ;14
FAddr.01': u94.13i ;14
FAddr.01': u62.13i ;14
FAddr.01': u30.13i ;14
FAddr.01': v42.13i ;15
FAddr.01': v34.13i ;15
FAddr.01': v58.13i ;15
FAddr.01': v66.13i ;15
FAddr.01': v74.13i ;15
FAddr.01': v50.13i ;15
FAddr.01': #R63.2i ;25
FAddr.01': #TP53.1i ;27

FAddr.01z': v87.9o ;03
FAddr.01z': #R63.1o ;25

FAddr.02': u06.10i ;14
FAddr.02': u38.10i ;14
FAddr.02': u70.10i ;14
FAddr.02': v02.10i ;14
FAddr.02': v10.10i ;14
FAddr.02': u78.10i ;14
FAddr.02': u46.10i ;14
FAddr.02': u14.10i ;14
FAddr.02': u22.10i ;14
FAddr.02': u54.10i ;14
FAddr.02': u86.10i ;14
FAddr.02': v18.10i ;14
FAddr.02': v26.10i ;14
FAddr.02': u94.10i ;14
FAddr.02': u62.10i ;14
FAddr.02': u30.10i ;14
FAddr.02': v42.10i ;15
FAddr.02': v34.10i ;15
FAddr.02': v58.10i ;15
FAddr.02': v66.10i ;15
FAddr.02': v74.10i ;15
FAddr.02': v50.10i ;15
FAddr.02': #R57.2i ;25
FAddr.02': #TP51.1i ;27

FAddr.02z': v86.7o ;03
FAddr.02z': #R57.1o ;25

FAddr.03': u06.11i ;14
FAddr.03': u38.11i ;14
FAddr.03': u70.11i ;14
FAddr.03': v02.11i ;14
FAddr.03': v10.11i ;14
FAddr.03': u78.11i ;14
FAddr.03': u46.11i ;14
FAddr.03': u14.11i ;14
FAddr.03': u22.11i ;14
FAddr.03': u54.11i ;14
FAddr.03': u86.11i ;14
FAddr.03': v18.11i ;14
FAddr.03': v26.11i ;14
FAddr.03': u94.11i ;14
FAddr.03': u62.11i ;14
FAddr.03': u30.11i ;14
FAddr.03': v42.11i ;15
FAddr.03': v34.11i ;15
FAddr.03': v58.11i ;15
FAddr.03': v66.11i ;15
FAddr.03': v74.11i ;15
FAddr.03': v50.11i ;15
FAddr.03': #R59.2i ;25
FAddr.03': #TP49.1i ;27

FAddr.03z': v86.5o ;03
FAddr.03z': #R59.1o ;25

FAddr.04': u06.12i ;14
FAddr.04': u38.12i ;14
FAddr.04': u70.12i ;14
FAddr.04': v02.12i ;14
FAddr.04': v10.12i ;14
FAddr.04': u78.12i ;14
FAddr.04': u46.12i ;14
FAddr.04': u14.12i ;14
FAddr.04': u22.12i ;14
FAddr.04': u54.12i ;14
FAddr.04': u86.12i ;14
FAddr.04': v18.12i ;14
FAddr.04': v26.12i ;14
FAddr.04': u94.12i ;14
FAddr.04': u62.12i ;14
FAddr.04': u30.12i ;14
FAddr.04': v42.12i ;15
FAddr.04': v34.12i ;15
FAddr.04': v58.12i ;15
FAddr.04': v66.12i ;15
FAddr.04': v74.12i ;15
FAddr.04': v50.12i ;15
FAddr.04': #R61.2i ;25
FAddr.04': #TP52.1i ;27

FAddr.04z': v86.3o ;03
FAddr.04z': #R61.1o ;25

FAddr.05': u06.6i ;14
FAddr.05': u38.6i ;14
FAddr.05': u70.6i ;14

XEROX	PROPRIETARY NOTE ON COVER SHEET APPLIES TO ALL SHEETS		DWG SIZE A4	DWG NO. 156P12068		SHEET REV. A
	TITLE SCHEMATIC, MSC-X			SHEET 46 OF		

FAddr.05': v02.6i ;14
 FAddr.05': v10.6i ;14
 FAddr.05': u78.6i ;14
 FAddr.05': u46.6i ;14
 FAddr.05': u14.6i ;14
 FAddr.05': u22.6i ;14
 FAddr.05': u54.6i ;14
 FAddr.05': u86.6i ;14
 FAddr.05': v18.6i ;14
 FAddr.05': v26.6i ;14
 FAddr.05': u94.6i ;14
 FAddr.05': u62.6i ;14
 FAddr.05': u30.6i ;14
 FAddr.05': v42.6i ;15
 FAddr.05': v34.6i ;15
 FAddr.05': v58.6i ;15
 FAddr.05': v66.6i ;15
 FAddr.05': v74.6i ;15
 FAddr.05': v50.6i ;15
 FAddr.05': #R60.2i ;25
 FAddr.05': #TP54.1i ;27

FAddr.05z': v86.18o ;03
 FAddr.05z': #R60.1o ;25

FAddr.06': u06.7i ;14
 FAddr.06': u38.7i ;14
 FAddr.06': u70.7i ;14
 FAddr.06': v02.7i ;14
 FAddr.06': v10.7i ;14
 FAddr.06': u78.7i ;14
 FAddr.06': u46.7i ;14
 FAddr.06': u14.7i ;14
 FAddr.06': u22.7i ;14
 FAddr.06': u54.7i ;14
 FAddr.06': u86.7i ;14
 FAddr.06': v18.7i ;14
 FAddr.06': v26.7i ;14
 FAddr.06': u94.7i ;14
 FAddr.06': u62.7i ;14
 FAddr.06': u30.7i ;14
 FAddr.06': v42.7i ;15
 FAddr.06': v34.7i ;15
 FAddr.06': v58.7i ;15
 FAddr.06': v66.7i ;15
 FAddr.06': v74.7i ;15
 FAddr.06': v50.7i ;15
 FAddr.06': #R58.2i ;25
 FAddr.06': #TP50.1i ;27

FAddr.06z': v86.16o ;03
 FAddr.06z': #R58.1o ;25

FAddr.07': u06.5i ;14
 FAddr.07': u38.5i ;14
 FAddr.07': u70.5i ;14
 FAddr.07': v02.5i ;14
 FAddr.07': v10.5i ;14
 FAddr.07': u78.5i ;14

FAddr.07': u46.5i ;14
 FAddr.07': u14.5i ;14
 FAddr.07': u22.5i ;14
 FAddr.07': u54.5i ;14
 FAddr.07': u86.5i ;14
 FAddr.07': v18.5i ;14
 FAddr.07': v26.5i ;14
 FAddr.07': u94.5i ;14
 FAddr.07': u62.5i ;14
 FAddr.07': u30.5i ;14
 FAddr.07': v42.5i ;15
 FAddr.07': v34.5i ;15
 FAddr.07': v58.5i ;15
 FAddr.07': v66.5i ;15
 FAddr.07': v74.5i ;15
 FAddr.07': v50.5i ;15
 FAddr.07': #R62.2i ;25
 FAddr.07': #TP135.1i ;27

FAddr.07z': v87.12o ;03
 FAddr.07z': #R62.1o ;25

GAddr.00': u07.9i ;16
 GAddr.00': u39.9i ;16
 GAddr.00': u71.9i ;16
 GAddr.00': v03.9i ;16
 GAddr.00': v11.9i ;16
 GAddr.00': u79.9i ;16
 GAddr.00': u47.9i ;16
 GAddr.00': u15.9i ;16
 GAddr.00': u23.9i ;16
 GAddr.00': u55.9i ;16
 GAddr.00': u87.9i ;16
 GAddr.00': v19.9i ;16
 GAddr.00': v27.9i ;16
 GAddr.00': u95.9i ;16
 GAddr.00': u63.9i ;16
 GAddr.00': u31.9i ;16
 GAddr.00': v35.9i ;17
 GAddr.00': v59.9i ;17
 GAddr.00': v43.9i ;17
 GAddr.00': v51.9i ;17
 GAddr.00': v67.9i ;17
 GAddr.00': v75.9i ;17
 GAddr.00': #R67.2i ;25
 GAddr.00': #TP69.1i ;27

GAddr.00z': v87.16o ;03
 GAddr.00z': #R67.1o ;25

GAddr.01': u07.13i ;16
 GAddr.01': u39.13i ;16
 GAddr.01': u71.13i ;16
 GAddr.01': v03.13i ;16
 GAddr.01': v11.13i ;16
 GAddr.01': u79.13i ;16
 GAddr.01': u47.13i ;16
 GAddr.01': u15.13i ;16
 GAddr.01': u23.13i ;16

XEROX	PROPRIETARY NOTE ON COVER SHEET APPLIES TO ALL SHEETS		DWG SIZE	DWG NO. 156P12068	SHEET REV.
	TITLE SCHEMATIC, MSC-X		A4	SHEET 47 OF	A

GAddr.01': u55.13i ;16
 GAddr.01': u87.13i ;16
 GAddr.01': v19.13i ;16
 GAddr.01': v27.13i ;16
 GAddr.01': u95.13i ;16
 GAddr.01': u63.13i ;16
 GAddr.01': u31.13i ;16
 GAddr.01': v35.13i ;17
 GAddr.01': v59.13i ;17
 GAddr.01': v43.13i ;17
 GAddr.01': v51.13i ;17
 GAddr.01': v67.13i ;17
 GAddr.01': v75.13i ;17
 GAddr.01': #R74.2i ;25
 GAddr.01': #TP59.1i ;27

GAddr.01z': v82.7o ;03
 GAddr.01z': #R74.1o ;25

GAddr.02': u07.10i ;16
 GAddr.02': u39.10i ;16
 GAddr.02': u71.10i ;16
 GAddr.02': v03.10i ;16
 GAddr.02': v11.10i ;16
 GAddr.02': u79.10i ;16
 GAddr.02': u47.10i ;16
 GAddr.02': u15.10i ;16
 GAddr.02': u23.10i ;16
 GAddr.02': u55.10i ;16
 GAddr.02': u87.10i ;16
 GAddr.02': v19.10i ;16
 GAddr.02': v27.10i ;16
 GAddr.02': u95.10i ;16
 GAddr.02': u63.10i ;16
 GAddr.02': u31.10i ;16
 GAddr.02': v35.10i ;17
 GAddr.02': v59.10i ;17
 GAddr.02': v43.10i ;17
 GAddr.02': v51.10i ;17
 GAddr.02': v67.10i ;17
 GAddr.02': v75.10i ;17
 GAddr.02': #R68.2i ;25
 GAddr.02': #TP57.1i ;27

GAddr.02z': v87.5o ;03
 GAddr.02z': #R68.1o ;25

GAddr.03': u07.11i ;16
 GAddr.03': u39.11i ;16
 GAddr.03': u71.11i ;16
 GAddr.03': v03.11i ;16
 GAddr.03': v11.11i ;16
 GAddr.03': u79.11i ;16
 GAddr.03': u47.11i ;16
 GAddr.03': u15.11i ;16
 GAddr.03': u23.11i ;16
 GAddr.03': u55.11i ;16
 GAddr.03': u87.11i ;16
 GAddr.03': v19.11i ;16

GAddr.03': v27.11i ;16
 GAddr.03': u95.11i ;16
 GAddr.03': u63.11i ;16
 GAddr.03': u31.11i ;16
 GAddr.03': v35.11i ;17
 GAddr.03': v59.11i ;17
 GAddr.03': v43.11i ;17
 GAddr.03': v51.11i ;17
 GAddr.03': v67.11i ;17
 GAddr.03': v75.11i ;17
 GAddr.03': #R70.2i ;25
 GAddr.03': #TP71.1i ;27

GAddr.03z': v87.3o ;03
 GAddr.03z': #R70.1o ;25

GAddr.04': u07.12i ;16
 GAddr.04': u39.12i ;16
 GAddr.04': u71.12i ;16
 GAddr.04': v03.12i ;16
 GAddr.04': v11.12i ;16
 GAddr.04': u79.12i ;16
 GAddr.04': u47.12i ;16
 GAddr.04': u15.12i ;16
 GAddr.04': u23.12i ;16
 GAddr.04': u55.12i ;16
 GAddr.04': u87.12i ;16
 GAddr.04': v19.12i ;16
 GAddr.04': v27.12i ;16
 GAddr.04': u95.12i ;16
 GAddr.04': u63.12i ;16
 GAddr.04': u31.12i ;16
 GAddr.04': v35.12i ;17
 GAddr.04': v59.12i ;17
 GAddr.04': v43.12i ;17
 GAddr.04': v51.12i ;17
 GAddr.04': v67.12i ;17
 GAddr.04': v75.12i ;17
 GAddr.04': #R72.2i ;25
 GAddr.04': #TP58.1i ;27

GAddr.04z': v82.9o ;03
 GAddr.04z': #R72.1o ;25

GAddr.05': u07.6i ;16
 GAddr.05': u39.6i ;16
 GAddr.05': u71.6i ;16
 GAddr.05': v03.6i ;16
 GAddr.05': v11.6i ;16
 GAddr.05': u79.6i ;16
 GAddr.05': u47.6i ;16
 GAddr.05': u15.6i ;16
 GAddr.05': u23.6i ;16
 GAddr.05': u55.6i ;16
 GAddr.05': u87.6i ;16
 GAddr.05': v19.6i ;16
 GAddr.05': v27.6i ;16
 GAddr.05': u95.6i ;16
 GAddr.05': u63.6i ;16

GAddr.05': u31.6i ;16
 GAddr.05': v35.6i ;17
 GAddr.05': v59.6i ;17
 GAddr.05': v43.6i ;17
 GAddr.05': v51.6i ;17
 GAddr.05': v67.6i ;17
 GAddr.05': v75.6i ;17
 GAddr.05': #R71.2i ;25
 GAddr.05': #TP60.1i ;27

GAddr.05z': v82.12o ;03
 GAddr.05z': #R71.1o ;25

GAddr.06': u07.7i ;16
 GAddr.06': u39.7i ;16
 GAddr.06': u71.7i ;16
 GAddr.06': v03.7i ;16
 GAddr.06': v11.7i ;16
 GAddr.06': u79.7i ;16
 GAddr.06': u47.7i ;16
 GAddr.06': u15.7i ;16
 GAddr.06': u23.7i ;16
 GAddr.06': u55.7i ;16
 GAddr.06': u87.7i ;16
 GAddr.06': v19.7i ;16
 GAddr.06': v27.7i ;16
 GAddr.06': u95.7i ;16
 GAddr.06': u63.7i ;16
 GAddr.06': u31.7i ;16
 GAddr.06': v35.7i ;17
 GAddr.06': v59.7i ;17
 GAddr.06': v43.7i ;17
 GAddr.06': v51.7i ;17
 GAddr.06': v67.7i ;17
 GAddr.06': v75.7i ;17
 GAddr.06': #R69.2i ;25
 GAddr.06': #TP72.1i ;27

GAddr.06z': v87.18o ;03
 GAddr.06z': #R69.1o ;25

GAddr.07': u07.5i ;16
 GAddr.07': u39.5i ;16
 GAddr.07': u71.5i ;16
 GAddr.07': v03.5i ;16
 GAddr.07': v11.5i ;16
 GAddr.07': u79.5i ;16
 GAddr.07': u47.5i ;16
 GAddr.07': u15.5i ;16
 GAddr.07': u23.5i ;16
 GAddr.07': u55.5i ;16
 GAddr.07': u87.5i ;16
 GAddr.07': v19.5i ;16
 GAddr.07': v27.5i ;16
 GAddr.07': u95.5i ;16
 GAddr.07': u63.5i ;16
 GAddr.07': u31.5i ;16
 GAddr.07': v35.5i ;17
 GAddr.07': v59.5i ;17

GAddr.07': v43.5i ;17
 GAddr.07': v51.5i ;17
 GAddr.07': v67.5i ;17
 GAddr.07': v75.5i ;17
 GAddr.07': #R73.2i ;25
 GAddr.07': #TP137.1i ;27

GAddr.07z': v82.14o ;03
 GAddr.07z': #R73.1o ;25

GND: v77.1i ;01
 GND: v77.19i ;01
 GND: v84.1i ;02
 GND: v83.1i ;02
 GND: v79.1i ;02
 GND: v85.1i ;02
 GND: v83.19i ;02
 GND: v84.19i ;02
 GND: v85.19i ;02
 GND: v79.19i ;02
 GND: v88.1i ;02
 GND: v87.1i ;03
 GND: v82.1i ;03
 GND: v86.1i ;03
 GND: v80.1i ;03
 GND: v80.19i ;03
 GND: v86.19i ;03
 GND: v82.19i ;03
 GND: v87.19i ;03
 GND: v88.19i ;03
 GND: u01.16i ;05
 GND: u09.16i ;05
 GND: u17.16i ;05
 GND: u25.16i ;05
 GND: u33.16i ;05
 GND: u73.16i ;05
 GND: u65.16i ;05
 GND: u57.16i ;05
 GND: u49.16i ;05
 GND: u41.16i ;05
 GND: u81.16i ;05
 GND: u89.16i ;05
 GND: u97.16i ;05
 GND: v05.16i ;05
 GND: v13.16i ;05
 GND: v53.16i ;05
 GND: v45.16i ;05
 GND: v37.16i ;05
 GND: v29.16i ;05
 GND: v21.16i ;05
 GND: v61.16i ;05
 GND: v69.16i ;05
 GND: u02.16i ;07
 GND: u10.16i ;07
 GND: u18.16i ;07
 GND: u26.16i ;07
 GND: u34.16i ;07
 GND: u74.16i ;07
 GND: u66.16i ;07

XEROX	PROPRIETARY NOTE ON COVER SHEET APPLIES TO ALL SHEETS		DWG SIZE A4	DWG NO. 156P12068	SHEET REV. A
	TITLE SCHEMATIC, MSC-X		SHEET 49	OF	

GND:	u58.16i	:07	GND:	u05.16i	:13
GND:	u50.16i	:07	GND:	u13.16i	:13
GND:	u42.16i	:07	GND:	u21.16i	:13
GND:	u82.16i	:07	GND:	u29.16i	:13
GND:	u90.16i	:07	GND:	u37.16i	:13
GND:	u98.16i	:07	GND:	u77.16i	:13
GND:	v06.16i	:07	GND:	u69.16i	:13
GND:	v14.16i	:07	GND:	u61.16i	:13
GND:	v54.16i	:07	GND:	u53.16i	:13
GND:	v46.16i	:07	GND:	u45.16i	:13
GND:	v38.16i	:07	GND:	u85.16i	:13
GND:	v30.16i	:07	GND:	u93.16i	:13
GND:	v22.16i	:07	GND:	v01.16i	:13
GND:	v62.16i	:07	GND:	v09.16i	:13
GND:	v70.16i	:07	GND:	v17.16i	:13
GND:	u03.16i	:09	GND:	v57.16i	:13
GND:	u11.16i	:09	GND:	v49.16i	:13
GND:	u19.16i	:09	GND:	v41.16i	:13
GND:	u27.16i	:09	GND:	v33.16i	:13
GND:	u35.16i	:09	GND:	v25.16i	:13
GND:	u75.16i	:09	GND:	v65.16i	:13
GND:	u67.16i	:09	GND:	v73.16i	:13
GND:	u59.16i	:09	GND:	u06.16i	:15
GND:	u51.16i	:09	GND:	u14.16i	:15
GND:	u43.16i	:09	GND:	u22.16i	:15
GND:	u83.16i	:09	GND:	u30.16i	:15
GND:	u91.16i	:09	GND:	u38.16i	:15
GND:	u99.16i	:09	GND:	u78.16i	:15
GND:	v07.16i	:09	GND:	u70.16i	:15
GND:	v15.16i	:09	GND:	u62.16i	:15
GND:	v55.16i	:09	GND:	u54.16i	:15
GND:	v47.16i	:09	GND:	u46.16i	:15
GND:	v39.16i	:09	GND:	u86.16i	:15
GND:	v31.16i	:09	GND:	u94.16i	:15
GND:	v23.16i	:09	GND:	v02.16i	:15
GND:	v63.16i	:09	GND:	v10.16i	:15
GND:	v71.16i	:09	GND:	v18.16i	:15
GND:	u04.16i	:11	GND:	v58.16i	:15
GND:	u12.16i	:11	GND:	v50.16i	:15
GND:	u20.16i	:11	GND:	v42.16i	:15
GND:	u28.16i	:11	GND:	v34.16i	:15
GND:	u36.16i	:11	GND:	v26.16i	:15
GND:	u76.16i	:11	GND:	v66.16i	:15
GND:	u68.16i	:11	GND:	v74.16i	:15
GND:	u60.16i	:11	GND:	u07.16i	:17
GND:	u52.16i	:11	GND:	u15.16i	:17
GND:	u44.16i	:11	GND:	u23.16i	:17
GND:	u84.16i	:11	GND:	u31.16i	:17
GND:	u92.16i	:11	GND:	u39.16i	:17
GND:	v00.16i	:11	GND:	u79.16i	:17
GND:	v08.16i	:11	GND:	u71.16i	:17
GND:	v16.16i	:11	GND:	u63.16i	:17
GND:	v56.16i	:11	GND:	u55.16i	:17
GND:	v48.16i	:11	GND:	u47.16i	:17
GND:	v40.16i	:11	GND:	u87.16i	:17
GND:	v32.16i	:11	GND:	u95.16i	:17
GND:	v24.16i	:11	GND:	v03.16i	:17
GND:	v64.16i	:11	GND:	v11.16i	:17
GND:	v72.16i	:11	GND:	v19.16i	:17

XEROX	PROPRIETARY NOTE ON COVER SHEET APPLIES TO ALL SHEETS		DWG SIZE A4	DWG NO. 156P12068	SHEET REV.
	TITLE SCHEMATIC, MSC-X			SHEET 50 OF	A

GND:	v59.16i	;17	GND:	#C135.2o, #C134.2o, #C132.2o	
GND:	v51.16i	;17	GND:	#C130.2o, #C128.2o, #C125.2o	
GND:	v43.16i	;17	GND:	#C123.2o, #C121.2o	
GND:	v35.16i	;17	GND:	#C131.2o, #C129.2o, #C127.2o	;30
GND:	v27.16i	;17	GND:	#C126.2o, #C117.2o, #C115.2o	
GND:	v67.16i	;17	GND:	#C110.2o, #C108.2o, #C107.2o	
GND:	v75.16i	;17	GND:	#C105.2o, #C103.2o, #C101.2o	
GND:	u08.16i	;19	GND:	#C97.2o, #C95.2o, #C93.2o	
GND:	u16.16i	;19	GND:	#C204.2o, #C201.2o, #C199.2o	
GND:	u24.16i	;19	GND:	#C197.2o, #C91.2o, #C89.2o	
GND:	u32.16i	;19	GND:	#C87.2o, #C85.2o, #C84.2o	
GND:	u40.16i	;19	GND:	#C82.2o, #C80.2o, #C78.2o	
GND:	u80.16i	;19	GND:	#C75.2o, #C71.2o, #C68.2o	
GND:	u72.16i	;19	GND:	#C66.2o, #C64.2o, #C62.2o	
GND:	u64.16i	;19	GND:	#C59.2o, #C57.2o, #C55.2o	
GND:	u56.16i	;19	GND:	#C53.2o, #C52.2o, #C50.2o	
GND:	u48.16i	;19	GND:	#C48.2o, #C46.2o, #C38.2o	
GND:	u88.16i	;19	GND:	#C34.2o, #C32.2o, #C30.2o	
GND:	u96.16i	;19	GND:	#C28.2o, #C26.2o, #C23.2o	
GND:	v04.16i	;19	GND:	#C21.2o, #C19.2o, #C17.2o	
GND:	v12.16i	;19	GND:	#C16.2o, #C14.2o, #C12.2o	
GND:	v20.16i	;19	GND:	#C10.2o, #C176.2o, #C7.2o	
GND:	v60.16i	;19	GND:	#C5.2o, #C3.2o, #C1.2o	
GND:	v52.16i	;19	GND:	#C174.2o, #C172.2o, #C170.2o	
GND:	v44.16i	;19	GND:	#C167.2o, #C164.2o, #C162.2o	
GND:	v36.16i	;19	GND:	#C160.2o, #C159.2o, #C157.2o	
GND:	v28.16i	;19	GND:	#C154.2o, #C152.2o, #C149.2o	
GND:	v68.16i	;19	GND:	#C147.2o, #C145.2o, #C143.2o	
GND:	v76.16i	;19	GND:	#C142.2o, #C140.2o, #C138.2o	
GND:	w01.1i, w01.13i	;22	GND:	#C136.2o, #C133.2o	
GND:	v94.11i, v94.8i	;23	GND:	#C205.2o, #C114.2o, #C113.2o	;31
GND:	w05.5i	;23	GND:	#C112.2o, #C175.2o, #C173.2o	
GND:	w05.13i	;23	GND:	#C171.2o, #C169.2o, #C168.2o	
GND:	v95.16i	;26	GND:	#C166.2o, #C163.2o, #C83.2o	
GND:	v96.16i	;26	GND:	#C183.2o, #C181.2o, #C180.2o	;31
GND:	#C119.2o, #C118.2o, #C116.2o	;29	GND:	#C179.2o, #C178.2o, #C177.2o	
GND:	#C111.2o, #C109.2o, #C106.2o		GND:	#C124.2o, #C122.2o, #C120.2o	
GND:	#C104.2o, #C102.2o, #C100.2o		GND:	#C203.2o, #C73.2o, #C69.2o	
GND:	#C98.2o, #C96.2o, #C94.2o		GND:	#C40.2o, #C36.2o	
GND:	#C92.2o, #C202.2o, #C200.2o		GND:	#C194.2o, #C193.2o, #C44.2o	;31
GND:	#C198.2o, #C196.2o, #C195.2o		GND:	#C189.2o, #C43.2o, #C192.2o	
GND:	#C90.2o, #C88.2o, #C86.2o		GND:	#C191.2o, #C190.2o, #C188.2o	
GND:	#C81.2o, #C79.2o, #C77.2o		GND:	#C187.2o, #C186.2o, #C185.2o	
GND:	#C76.2o, #C74.2o, #C72.2o		GND:	#C184.2o	
GND:	#C70.2o, #C67.2o, #C65.2o		HAddr.00'	u08.9i	;18
GND:	#C63.2o, #C61.2o, #C60.2o		HAddr.00'	u40.9i	;18
GND:	#C58.2o, #C56.2o, #C54.2o		HAddr.00'	u72.9i	;18
GND:	#C51.2o, #C49.2o, #C47.2o		HAddr.00'	v04.9i	;18
GND:	#C45.2o, #C41.2o, #C39.2o		HAddr.00'	v12.9i	;18
GND:	#C37.2o, #C35.2o, #C31.2o		HAddr.00'	u80.9i	;18
GND:	#C29.2o, #C27.2o, #C25.2o		HAddr.00'	u48.9i	;18
GND:	#C24.2o, #C22.2o, #C20.2o		HAddr.00'	u16.9i	;18
GND:	#C18.2o, #C15.2o, #C13.2o		HAddr.00'	u24.9i	;18
GND:	#C11.2o, #C9.2o, #C8.2o		HAddr.00'	u56.9i	;18
GND:	#C6.2o, #C4.2o, #C2.2o		HAddr.00'	u88.9i	;18
GND:	#C161.2o, #C158.2o, #C155.2o		HAddr.00'	v20.9i	;18
GND:	#C153.2o, #C151.2o, #C150.2o		HAddr.00'	v28.9i	;18
GND:	#C148.2o, #C146.2o, #C144.2o		HAddr.00'	u96.9i	;18
GND:	#C141.2o, #C139.2o, #C137.2o				

HAddr.00': u64.9i ;18
HAddr.00': u32.9i ;18
HAddr.00': v36.9i ;19
HAddr.00': v60.9i ;19
HAddr.00': v44.9i ;19
HAddr.00': v52.9i ;19
HAddr.00': v68.9i ;19
HAddr.00': v76.9i ;19
HAddr.00': #R78.2i ;25
HAddr.00': #TP75.1i ;27

HAddr.00z': v82.18o ;03
HAddr.00z': #R78.1o ;25

HAddr.01': u08.13i ;18
HAddr.01': u40.13i ;18
HAddr.01': u72.13i ;18
HAddr.01': v04.13i ;18
HAddr.01': v12.13i ;18
HAddr.01': u80.13i ;18
HAddr.01': u48.13i ;18
HAddr.01': u16.13i ;18
HAddr.01': u24.13i ;18
HAddr.01': u56.13i ;18
HAddr.01': u88.13i ;18
HAddr.01': v20.13i ;18
HAddr.01': v28.13i ;18
HAddr.01': u96.13i ;18
HAddr.01': u64.13i ;18
HAddr.01': u32.13i ;18
HAddr.01': v36.13i ;19
HAddr.01': v60.13i ;19
HAddr.01': v44.13i ;19
HAddr.01': v52.13i ;19
HAddr.01': v68.13i ;19
HAddr.01': v76.13i ;19
HAddr.01': #R85.2i ;25
HAddr.01': #TP065.1i ;27

HAddr.01z': v88.5o ;03
HAddr.01z': #R85.1o ;25

HAddr.02': u08.10i ;18
HAddr.02': u40.10i ;18
HAddr.02': u72.10i ;18
HAddr.02': v04.10i ;18
HAddr.02': v12.10i ;18
HAddr.02': u80.10i ;18
HAddr.02': u48.10i ;18
HAddr.02': u16.10i ;18
HAddr.02': u24.10i ;18
HAddr.02': u56.10i ;18
HAddr.02': u88.10i ;18
HAddr.02': v20.10i ;18
HAddr.02': v28.10i ;18
HAddr.02': u96.10i ;18
HAddr.02': u64.10i ;18
HAddr.02': u32.10i ;18
HAddr.02': v36.10i ;19

HAddr.02': v60.10i ;19
HAddr.02': v44.10i ;19
HAddr.02': v52.10i ;19
HAddr.02': v68.10i ;19
HAddr.02': v76.10i ;19
HAddr.02': #R79.2i ;25
HAddr.02': #TP79.1i ;27

HAddr.02z': v82.3o ;03
HAddr.02z': #R79.1o ;25

HAddr.03': u08.11i ;18
HAddr.03': u40.11i ;18
HAddr.03': u72.11i ;18
HAddr.03': v04.11i ;18
HAddr.03': v12.11i ;18
HAddr.03': u80.11i ;18
HAddr.03': u48.11i ;18
HAddr.03': u16.11i ;18
HAddr.03': u24.11i ;18
HAddr.03': u56.11i ;18
HAddr.03': u88.11i ;18
HAddr.03': v20.11i ;18
HAddr.03': v28.11i ;18
HAddr.03': u96.11i ;18
HAddr.03': u64.11i ;18
HAddr.03': u32.11i ;18
HAddr.03': v36.11i ;19
HAddr.03': v60.11i ;19
HAddr.03': v44.11i ;19
HAddr.03': v52.11i ;19
HAddr.03': v68.11i ;19
HAddr.03': v76.11i ;19
HAddr.03': #R81.2i ;25
HAddr.03': #TP77.1i ;27

HAddr.03z': v88.9o ;03
HAddr.03z': #R81.1o ;25

HAddr.04': u08.12i ;18
HAddr.04': u40.12i ;18
HAddr.04': u72.12i ;18
HAddr.04': v04.12i ;18
HAddr.04': v12.12i ;18
HAddr.04': u80.12i ;18
HAddr.04': u48.12i ;18
HAddr.04': u16.12i ;18
HAddr.04': u24.12i ;18
HAddr.04': u56.12i ;18
HAddr.04': u88.12i ;18
HAddr.04': v20.12i ;18
HAddr.04': v28.12i ;18
HAddr.04': u96.12i ;18
HAddr.04': u64.12i ;18
HAddr.04': u32.12i ;18
HAddr.04': v36.12i ;19
HAddr.04': v60.12i ;19
HAddr.04': v44.12i ;19
HAddr.04': v52.12i ;19

XEROX	PROPRIETARY NOTE ON COVER SHEET APPLIES TO ALL SHEETS		DWG SIZE A4	DWG NO. 156P12068		SHEET REV. A
	TITLE SCHEMATIC, MSC-X			SHEET 52 OF		

HAddr.04': v68.12i ;19
HAddr.04': v76.12i ;19
HAddr.04': #R83.2i ;25
HAddr.04': #TP80.1i ;27

HAddr.04z': v88.7o ;03
HAddr.04z': #R83.1o ;25

HAddr.05': u08.6i ;18
HAddr.05': u40.6i ;18
HAddr.05': u72.6i ;18
HAddr.05': v04.6i ;18
HAddr.05': v12.6i ;18
HAddr.05': u80.6i ;18
HAddr.05': u48.6i ;18
HAddr.05': u16.6i ;18
HAddr.05': u24.6i ;18
HAddr.05': u56.6i ;18
HAddr.05': u88.6i ;18
HAddr.05': v20.6i ;18
HAddr.05': v28.6i ;18
HAddr.05': u96.6i ;18
HAddr.05': u64.6i ;18
HAddr.05': u32.6i ;18
HAddr.05': v36.6i ;19
HAddr.05': v60.6i ;19
HAddr.05': v44.6i ;19
HAddr.05': v52.6i ;19
HAddr.05': v68.6i ;19
HAddr.05': v76.6i ;19
HAddr.05': #R82.2i ;25
HAddr.05': #TP66.1i ;27

HAddr.05z': v88.14o ;03
HAddr.05z': #R82.1o ;25

HAddr.06': u08.7i ;18
HAddr.06': u40.7i ;18
HAddr.06': u72.7i ;18
HAddr.06': v04.7i ;18
HAddr.06': v12.7i ;18
HAddr.06': u80.7i ;18
HAddr.06': u48.7i ;18
HAddr.06': u16.7i ;18
HAddr.06': u24.7i ;18
HAddr.06': u56.7i ;18
HAddr.06': u88.7i ;18
HAddr.06': v20.7i ;18
HAddr.06': v28.7i ;18
HAddr.06': u96.7i ;18
HAddr.06': u64.7i ;18
HAddr.06': u32.7i ;18
HAddr.06': v36.7i ;19
HAddr.06': v60.7i ;19
HAddr.06': v44.7i ;19
HAddr.06': v52.7i ;19
HAddr.06': v68.7i ;19
HAddr.06': v76.7i ;19
HAddr.06': #R80.2i ;25

HAddr.06': #TP78.1i ;27

HAddr.06z': v88.12o ;03
HAddr.06z': #R80.1o ;25

HAddr.07': u08.5i ;18
HAddr.07': u40.5i ;18
HAddr.07': u72.5i ;18
HAddr.07': v04.5i ;18
HAddr.07': v12.5i ;18
HAddr.07': u80.5i ;18
HAddr.07': u48.5i ;18
HAddr.07': u16.5i ;18
HAddr.07': u24.5i ;18
HAddr.07': u56.5i ;18
HAddr.07': u88.5i ;18
HAddr.07': v20.5i ;18
HAddr.07': v28.5i ;18
HAddr.07': u96.5i ;18
HAddr.07': u64.5i ;18
HAddr.07': u32.5i ;18
HAddr.07': v36.5i ;19
HAddr.07': v60.5i ;19
HAddr.07': v44.5i ;19
HAddr.07': v52.5i ;19
HAddr.07': v68.5i ;19
HAddr.07': v76.5i ;19
HAddr.07': #R84.2i ;25
HAddr.07': #TP139.1i ;27

HAddr.07z': v88.16o ;03
HAddr.07z': #R84.1o ;25

LatA': v90.10i, w02.12o, v90.9i ;01

LatB': w02.11o, v90.3i, v90.4i ;01

LatC': w02.10o, v91.9i ;01

LatchYH.4': w05.4o ;01
LatchYH.4': v97.2i ;01

LatchYH.4: E37, w05.3i ;01
LatchYH.4: v97.4i ;01

LatchYH.5': w05.2o ;01
LatchYH.5': v97.3i ;01

LatchYH.5: E137, w05.1i ;01
LatchYH.5: v97.1i ;01

LatchYH.6: w02.3i, E136, w02.13i ;01

LatchYH.7: w02.2i, E36, w02.14i ;01

LatD': w02.9o, v91.4i ;01

LatE': w02.4o, v93.9i ;01

XEROX	PROPRIETARY NOTE ON COVER SHEET APPLIES TO ALL SHEETS		DWG SIZE A4	DWG NO. 156P12068	SHEET REV. A
	TITLE SCHEMATIC, MSC-X		SHEET 53	OF	

LatF': w02.5o, v93.4i ;01
 LatG': w02.6o, v93.12i ;01
 LatH': w02.7o, v93.1i ;01

MemData.00': u03.14o ;20
 MemData.00': u02.14o ;20
 MemData.00': u01.14o ;20
 MemData.00': u04.14o ;20
 MemData.00': u05.14o ;21
 MemData.00': u06.14o ;21
 MemData.00': u07.14o ;21
 MemData.00': u08.14o ;21
 MemData.00': w04.2i ;23
 MemData.00': v96.1i ;26
 MemData.00': #TP103.1i ;27

MemData.01': u11.14o ;20
 MemData.01': u10.14o ;20
 MemData.01': u09.14o ;20
 MemData.01': u12.14o ;20
 MemData.01': u13.14o ;21
 MemData.01': u14.14o ;21
 MemData.01': u15.14o ;21
 MemData.01': u16.14o ;21
 MemData.01': w04.17i ;23
 MemData.01': v96.15o ;26
 MemData.01': #TP104.1i ;27

MemData.02': u19.14o ;20
 MemData.02': u18.14o ;20
 MemData.02': u17.14o ;20
 MemData.02': u20.14o ;20
 MemData.02': u21.14o ;21
 MemData.02': u22.14o ;21
 MemData.02': u23.14o ;21
 MemData.02': u24.14o ;21
 MemData.02': w04.4i ;23
 MemData.02': v96.2i ;26
 MemData.02': #TP105.1i ;27

MemData.03': u27.14o ;20
 MemData.03': u26.14o ;20
 MemData.03': u25.14o ;20
 MemData.03': u28.14o ;20
 MemData.03': u29.14o ;21
 MemData.03': u30.14o ;21
 MemData.03': u31.14o ;21
 MemData.03': u32.14o ;21
 MemData.03': w04.15i ;23
 MemData.03': v96.14o ;26
 MemData.03': #TP106.1i ;27

MemData.04': u35.14o ;20
 MemData.04': u34.14o ;20
 MemData.04': u33.14o ;20
 MemData.04': u36.14o ;20
 MemData.04': u37.14o ;21

MemData.04': u38.14o ;21
 MemData.04': u39.14o ;21
 MemData.04': u40.14o ;21
 MemData.04': w04.6i ;23
 MemData.04': v96.3i ;26
 MemData.04': #TP107.1i ;27

MemData.05': u43.14o ;20
 MemData.05': u42.14o ;20
 MemData.05': u41.14o ;20
 MemData.05': u44.14o ;20
 MemData.05': u45.14o ;21
 MemData.05': u46.14o ;21
 MemData.05': u47.14o ;21
 MemData.05': u48.14o ;21
 MemData.05': w04.13i ;23
 MemData.05': v96.13o ;26
 MemData.05': #TP108.1i ;27

MemData.06': u51.14o ;20
 MemData.06': u50.14o ;20
 MemData.06': u49.14o ;20
 MemData.06': u52.14o ;20
 MemData.06': u53.14o ;21
 MemData.06': u54.14o ;21
 MemData.06': u55.14o ;21
 MemData.06': u56.14o ;21
 MemData.06': w04.8i ;23
 MemData.06': v96.4i ;26
 MemData.06': #TP109.1i ;27

MemData.07': u59.14o ;20
 MemData.07': u58.14o ;20
 MemData.07': u57.14o ;20
 MemData.07': u60.14o ;20
 MemData.07': u61.14o ;21
 MemData.07': u62.14o ;21
 MemData.07': u63.14o ;21
 MemData.07': u64.14o ;21
 MemData.07': w04.11i ;23
 MemData.07': v96.12o ;26
 MemData.07': #TP110.1i ;27

MemData.08': u67.14o ;20
 MemData.08': u66.14o ;20
 MemData.08': u65.14o ;20
 MemData.08': u68.14o ;20
 MemData.08': u69.14o ;21
 MemData.08': u70.14o ;21
 MemData.08': u71.14o ;21
 MemData.08': u72.14o ;21
 MemData.08': w03.2i ;23
 MemData.08': v96.5i ;26
 MemData.08': #TP111.1i ;27

MemData.09': u75.14o ;20
 MemData.09': u74.14o ;20
 MemData.09': u73.14o ;20
 MemData.09': u76.14o ;20

MemData.09': u77.14o ;21
 MemData.09': u78.14o ;21
 MemData.09': u79.14o ;21
 MemData.09': u80.14o ;21
 MemData.09': w03.17i ;23
 MemData.09': v96.11o ;26
 MemData.09': #TP112.1i ;27

MemData.10': u83.14o ;20
 MemData.10': u82.14o ;20
 MemData.10': u81.14o ;20
 MemData.10': u84.14o ;20
 MemData.10': u85.14o ;21
 MemData.10': u86.14o ;21
 MemData.10': u87.14o ;21
 MemData.10': u88.14o ;21
 MemData.10': w03.4i ;23
 MemData.10': v96.6i ;26
 MemData.10': #TP113.1i ;27

MemData.11': u91.14o ;20
 MemData.11': u90.14o ;20
 MemData.11': u89.14o ;20
 MemData.11': u92.14o ;20
 MemData.11': u93.14o ;21
 MemData.11': u94.14o ;21
 MemData.11': u95.14o ;21
 MemData.11': u96.14o ;21
 MemData.11': w03.15i ;23
 MemData.11': v96.10o ;26
 MemData.11': #TP114.1i ;27

MemData.12': u99.14o ;20
 MemData.12': u98.14o ;20
 MemData.12': u97.14o ;20
 MemData.12': v00.14o ;20
 MemData.12': v01.14o ;21
 MemData.12': v02.14o ;21
 MemData.12': v03.14o ;21
 MemData.12': v04.14o ;21
 MemData.12': w03.6i ;23
 MemData.12': v96.7i ;26
 MemData.12': #TP115.1i ;27

MemData.13': v07.14o ;20
 MemData.13': v06.14o ;20
 MemData.13': v05.14o ;20
 MemData.13': v08.14o ;20
 MemData.13': v09.14o ;21
 MemData.13': v10.14o ;21
 MemData.13': v11.14o ;21
 MemData.13': v12.14o ;21
 MemData.13': w03.13i ;23
 MemData.13': v96.9o ;26
 MemData.13': #TP116.1i ;27

MemData.14': v15.14o ;20
 MemData.14': v14.14o ;20
 MemData.14': v13.14o ;20

MemData.14': v16.14o ;20
 MemData.14': v17.14o ;21
 MemData.14': v18.14o ;21
 MemData.14': v19.14o ;21
 MemData.14': v20.14o ;21
 MemData.14': w03.8i ;23
 MemData.14': v96.8i ;26
 MemData.14': #TP117.1i ;27

MemData.15': v23.14o ;20
 MemData.15': v22.14o ;20
 MemData.15': v21.14o ;20
 MemData.15': v24.14o ;20
 MemData.15': v25.14o ;21
 MemData.15': v26.14o ;21
 MemData.15': v27.14o ;21
 MemData.15': v28.14o ;21
 MemData.15': w03.11i ;23
 MemData.15': v95.15o ;26
 MemData.15': #TP118.1i ;27

MemData.16': v31.14o ;20
 MemData.16': v30.14o ;20
 MemData.16': v29.14o ;20
 MemData.16': v32.14o ;20
 MemData.16': v33.14o ;21
 MemData.16': v34.14o ;21
 MemData.16': v35.14o ;21
 MemData.16': v36.14o ;21
 MemData.16': v94.2i ;23
 MemData.16': v95.1i ;26
 MemData.16': #TP119.1i ;27

MemData.17': v39.14o ;20
 MemData.17': v38.14o ;20
 MemData.17': v37.14o ;20
 MemData.17': v40.14o ;20
 MemData.17': v41.14o ;21
 MemData.17': v42.14o ;21
 MemData.17': v43.14o ;21
 MemData.17': v44.14o ;21
 MemData.17': v94.17i ;23
 MemData.17': v95.14o ;26
 MemData.17': #TP120.1i ;27

MemData.18': v47.14o ;20
 MemData.18': v46.14o ;20
 MemData.18': v45.14o ;20
 MemData.18': v48.14o ;20
 MemData.18': v49.14o ;21
 MemData.18': v50.14o ;21
 MemData.18': v51.14o ;21
 MemData.18': v52.14o ;21
 MemData.18': v94.4i ;23
 MemData.18': v95.2i ;26
 MemData.18': #TP121.1i ;27

MemData.19': v55.14o ;20
 MemData.19': v54.14o ;20

XEROX	PROPRIETARY NOTE ON COVER SHEET APPLIES TO ALL SHEETS		DWG SIZE	DWG NO. 156P12068		SHEET REV. A
	TITLE SCHEMATIC, MSC-X		A4	SHEET 55	OF	

MemData.19': v53.14o ;20
 MemData.19': v56.14o ;20
 MemData.19': v57.14o ;21
 MemData.19': v58.14o ;21
 MemData.19': v59.14o ;21
 MemData.19': v60.14o ;21
 MemData.19': v94.15i ;23
 MemData.19': v95.13o ;26
 MemData.19': #TP122.1i ;27

MemData.20': v63.14o ;20
 MemData.20': v62.14o ;20
 MemData.20': v61.14o ;20
 MemData.20': v64.14o ;20
 MemData.20': v65.14o ;21
 MemData.20': v66.14o ;21
 MemData.20': v67.14o ;21
 MemData.20': v68.14o ;21
 MemData.20': v94.6i ;23
 MemData.20': v95.3i ;26
 MemData.20': #TP123.1i ;27

MemData.21': v71.14o ;20
 MemData.21': v70.14o ;20
 MemData.21': v69.14o ;20
 MemData.21': v72.14o ;20
 MemData.21': v73.14o ;21
 MemData.21': v74.14o ;21
 MemData.21': v75.14o ;21
 MemData.21': v76.14o ;21
 MemData.21': v94.13i ;23
 MemData.21': v95.12o ;26
 MemData.21': #TP124.1i ;27

P5V: E50, E51, E150, E151, #F01.1i ;28

pCAS: w05.8o, v85.17i, v79.15i ;01
 pCAS: v84.13i, v83.11i, v86.11i
 pCAS: v87.13i, v82.15i, v88.17i

ppCAS: w05.10o, w05.9i ;01

RAS': E5, v92.1i, v92.3i ;01

RASA': u01.4i ;04
 RASA': u33.4i ;04
 RASA': u65.4i ;04
 RASA': u97.4i ;04
 RASA': v05.4i ;04
 RASA': u73.4i ;04
 RASA': u41.4i ;04
 RASA': u09.4i ;04
 RASA': u17.4i ;04
 RASA': u49.4i ;04
 RASA': u81.4i ;04
 RASA': v13.4i ;04
 RASA': v21.4i ;04
 RASA': u89.4i ;04
 RASA': u57.4i ;04

RASA': u25.4i ;04
 RASA': v37.4i ;05
 RASA': v45.4i ;05
 RASA': v69.4i ;05
 RASA': v61.4i ;05
 RASA': v53.4i ;05
 RASA': v29.4i ;05
 RASA': #R10.2i ;24
 RASA': #TP2.1i ;27

RASAz': v78.8o ;01
 RASAz': #R10.1o ;24

RASB': u02.4i ;06
 RASB': u34.4i ;06
 RASB': u66.4i ;06
 RASB': u98.4i ;06
 RASB': v06.4i ;06
 RASB': u74.4i ;06
 RASB': u42.4i ;06
 RASB': u10.4i ;06
 RASB': u18.4i ;06
 RASB': u50.4i ;06
 RASB': u82.4i ;06
 RASB': v14.4i ;06
 RASB': v22.4i ;06
 RASB': u90.4i ;06
 RASB': u58.4i ;06
 RASB': u26.4i ;06
 RASB': v30.4i ;07
 RASB': v54.4i ;07
 RASB': v62.4i ;07
 RASB': v38.4i ;07
 RASB': v46.4i ;07
 RASB': v70.4i ;07
 RASB': #R21.2i ;24
 RASB': #TP24.1i ;27

RASBz': v78.6o ;01
 RASBz': #R21.1o ;24

RASC': u03.4i ;08
 RASC': u35.4i ;08
 RASC': u67.4i ;08
 RASC': u99.4i ;08
 RASC': v07.4i ;08
 RASC': u75.4i ;08
 RASC': u43.4i ;08
 RASC': u11.4i ;08
 RASC': u19.4i ;08
 RASC': u51.4i ;08
 RASC': u83.4i ;08
 RASC': v15.4i ;08
 RASC': v23.4i ;08
 RASC': u91.4i ;08
 RASC': u59.4i ;08
 RASC': u27.4i ;08
 RASC': v31.4i ;09
 RASC': v55.4i ;09

RASC': v63.4i ;09
 RASC': v39.4i ;09
 RASC': v47.4i ;09
 RASC': v71.4i ;09
 RASC': #R32.2i ;24
 RASC': #TP30.1i ;27

RASCz': v78.11o ;01
 RASCz': #R32.1o ;24

RASD': u04.4i ;10
 RASD': u36.4i ;10
 RASD': u68.4i ;10
 RASD': v00.4i ;10
 RASD': v08.4i ;10
 RASD': u76.4i ;10
 RASD': u44.4i ;10
 RASD': u12.4i ;10
 RASD': u20.4i ;10
 RASD': u52.4i ;10
 RASD': u84.4i ;10
 RASD': v16.4i ;10
 RASD': v24.4i ;10
 RASD': u92.4i ;10
 RASD': u60.4i ;10
 RASD': u28.4i ;10
 RASD': v32.4i ;11
 RASD': v56.4i ;11
 RASD': v64.4i ;11
 RASD': v40.4i ;11
 RASD': v48.4i ;11
 RASD': v72.4i ;11
 RASD': #R43.2i ;24
 RASD': #TP36.1i ;27

RASDz': v78.3o ;01
 RASDz': #R43.1o ;24

RASE': u05.4i ;12
 RASE': u37.4i ;12
 RASE': u69.4i ;12
 RASE': v01.4i ;12
 RASE': v17.4i ;12
 RASE': u85.4i ;12
 RASE': u53.4i ;12
 RASE': u21.4i ;12
 RASE': u29.4i ;12
 RASE': u61.4i ;12
 RASE': u93.4i ;12
 RASE': v25.4i ;12
 RASE': v09.4i ;12
 RASE': u77.4i ;12
 RASE': u45.4i ;12
 RASE': u13.4i ;12
 RASE': v33.4i ;13
 RASE': v57.4i ;13
 RASE': v65.4i ;13
 RASE': v41.4i ;13
 RASE': v49.4i ;13

RASE': v73.4i ;13
 RASE': #R53.2i ;25
 RASE': #TP42.1i ;27

RASEz': v81.8o ;01
 RASEz': #R53.1o ;25

RASF': u06.4i ;14
 RASF': u38.4i ;14
 RASF': u70.4i ;14
 RASF': v02.4i ;14
 RASF': v10.4i ;14
 RASF': u78.4i ;14
 RASF': u46.4i ;14
 RASF': u14.4i ;14
 RASF': u22.4i ;14
 RASF': u54.4i ;14
 RASF': u86.4i ;14
 RASF': v18.4i ;14
 RASF': v26.4i ;14
 RASF': u94.4i ;14
 RASF': u62.4i ;14
 RASF': u30.4i ;14
 RASF': v34.4i ;15
 RASF': v58.4i ;15
 RASF': v66.4i ;15
 RASF': v42.4i ;15
 RASF': v50.4i ;15
 RASF': v74.4i ;15
 RASF': #R64.2i ;25
 RASF': #TP64.1i ;27

RASFz': v81.6o ;01
 RASFz': #R64.1o ;25

RASG': u07.4i ;16
 RASG': u39.4i ;16
 RASG': u71.4i ;16
 RASG': v03.4i ;16
 RASG': v11.4i ;16
 RASG': u79.4i ;16
 RASG': u47.4i ;16
 RASG': u15.4i ;16
 RASG': u23.4i ;16
 RASG': u55.4i ;16
 RASG': u87.4i ;16
 RASG': v19.4i ;16
 RASG': v27.4i ;16
 RASG': u95.4i ;16
 RASG': u63.4i ;16
 RASG': u31.4i ;16
 RASG': v35.4i ;17
 RASG': v59.4i ;17
 RASG': v67.4i ;17
 RASG': v43.4i ;17
 RASG': v51.4i ;17
 RASG': v75.4i ;17
 RASG': #R75.2i ;25
 RASG': #TP70.1i ;27

RASGz': v81.11o ;01
RASGz': #R75.1o ;25

RASH': u08.4i ;18
RASH': u40.4i ;18
RASH': u72.4i ;18
RASH': v04.4i ;18
RASH': v12.4i ;18
RASH': u80.4i ;18
RASH': u48.4i ;18
RASH': u16.4i ;18
RASH': u24.4i ;18
RASH': u56.4i ;18
RASH': u88.4i ;18
RASH': v20.4i ;18
RASH': v28.4i ;18
RASH': u96.4i ;18
RASH': u64.4i ;18
RASH': u32.4i ;18
RASH': v36.4i ;19
RASH': v60.4i ;19
RASH': v68.4i ;19
RASH': v44.4i ;19
RASH': v52.4i ;19
RASH': v76.4i ;19
RASH': #R86.2i ;25
RASH': #TP76.1i ;27

RASHz': v81.3o ;01
RASHz': #R86.1o ;25

RefreshA': u01.1i ;04
RefreshA': u33.1i ;04
RefreshA': u65.1i ;04
RefreshA': u97.1i ;04
RefreshA': v05.1i ;04
RefreshA': u73.1i ;04
RefreshA': u41.1i ;04
RefreshA': u09.1i ;04
RefreshA': u17.1i ;04
RefreshA': u49.1i ;04
RefreshA': u81.1i ;04
RefreshA': v13.1i ;04
RefreshA': v21.1i ;04
RefreshA': u89.1i ;04
RefreshA': u57.1i ;04
RefreshA': u25.1i ;04
RefreshA': v29.1i ;05
RefreshA': v53.1i ;05
RefreshA': v37.1i ;05
RefreshA': v45.1i ;05
RefreshA': v61.1i ;05
RefreshA': v69.1i ;05
RefreshA': #R1.2i ;24
RefreshA': #TP126.1i ;27

RefreshB': u02.1i ;06
RefreshB': u34.1i ;06

RefreshB': u66.1i ;06
RefreshB': u98.1i ;06
RefreshB': v06.1i ;06
RefreshB': u74.1i ;06
RefreshB': u42.1i ;06
RefreshB': u10.1i ;06
RefreshB': u18.1i ;06
RefreshB': u50.1i ;06
RefreshB': u82.1i ;06
RefreshB': v14.1i ;06
RefreshB': v22.1i ;06
RefreshB': u90.1i ;06
RefreshB': u58.1i ;06
RefreshB': u26.1i ;06
RefreshB': v30.1i ;07
RefreshB': v54.1i ;07
RefreshB': v62.1i ;07
RefreshB': v38.1i ;07
RefreshB': v46.1i ;07
RefreshB': v70.1i ;07
RefreshB': #R91.2i ;24
RefreshB': #TP128.1i ;27

RefreshC': u03.1i ;08
RefreshC': u35.1i ;08
RefreshC': u67.1i ;08
RefreshC': u99.1i ;08
RefreshC': v07.1i ;08
RefreshC': u75.1i ;08
RefreshC': u43.1i ;08
RefreshC': u11.1i ;08
RefreshC': u19.1i ;08
RefreshC': u51.1i ;08
RefreshC': u83.1i ;08
RefreshC': v15.1i ;08
RefreshC': v23.1i ;08
RefreshC': u91.1i ;08
RefreshC': u59.1i ;08
RefreshC': u27.1i ;08
RefreshC': v31.1i ;09
RefreshC': v55.1i ;09
RefreshC': v39.1i ;09
RefreshC': v47.1i ;09
RefreshC': v63.1i ;09
RefreshC': v71.1i ;09
RefreshC': #R92.2i ;24
RefreshC': #TP130.1i ;27

RefreshD': u04.1i ;10
RefreshD': u36.1i ;10
RefreshD': u68.1i ;10
RefreshD': v00.1i ;10
RefreshD': v08.1i ;10
RefreshD': u76.1i ;10
RefreshD': u44.1i ;10
RefreshD': u12.1i ;10
RefreshD': u20.1i ;10
RefreshD': u52.1i ;10
RefreshD': u84.1i ;10

XEROX	PROPRIETARY NOTE ON COVER SHEET APPLIES TO ALL SHEETS		DWG SIZE A4	DWG NO. 156P12068	SHEET REV. A
	TITLE SCHEMATIC, MSC-X			SHEET 58 OF	

RefreshD': v16.1i ;10
 RefreshD': v24.1i ;10
 RefreshD': u92.1i ;10
 RefreshD': u60.1i ;10
 RefreshD': u28.1i ;10
 RefreshD': v32.1i ;11
 RefreshD': v56.1i ;11
 RefreshD': v40.1i ;11
 RefreshD': v48.1i ;11
 RefreshD': v72.1i ;11
 RefreshD': v64.1i ;11
 RefreshD': #R93.2i ;24
 RefreshD': #TP132.1i ;27

RefreshE': u05.1i ;12
 RefreshE': u37.1i ;12
 RefreshE': u69.1i ;12
 RefreshE': v01.1i ;12
 RefreshE': v09.1i ;12
 RefreshE': u77.1i ;12
 RefreshE': u45.1i ;12
 RefreshE': u13.1i ;12
 RefreshE': u21.1i ;12
 RefreshE': u53.1i ;12
 RefreshE': u85.1i ;12
 RefreshE': v17.1i ;12
 RefreshE': v25.1i ;12
 RefreshE': u93.1i ;12
 RefreshE': u61.1i ;12
 RefreshE': u29.1i ;12
 RefreshE': v33.1i ;13
 RefreshE': v57.1i ;13
 RefreshE': v41.1i ;13
 RefreshE': v65.1i ;13
 RefreshE': v49.1i ;13
 RefreshE': v73.1i ;13
 RefreshE': #R95.2i ;25
 RefreshE': #TP134.1i ;27

RefreshF': u06.1i ;14
 RefreshF': u38.1i ;14
 RefreshF': u70.1i ;14
 RefreshF': v02.1i ;14
 RefreshF': v10.1i ;14
 RefreshF': u78.1i ;14
 RefreshF': u46.1i ;14
 RefreshF': u14.1i ;14
 RefreshF': u22.1i ;14
 RefreshF': u54.1i ;14
 RefreshF': u86.1i ;14
 RefreshF': v18.1i ;14
 RefreshF': v26.1i ;14
 RefreshF': u94.1i ;14
 RefreshF': u62.1i ;14
 RefreshF': u30.1i ;14
 RefreshF': v42.1i ;15
 RefreshF': v34.1i ;15
 RefreshF': v58.1i ;15
 RefreshF': v66.1i ;15

RefreshF': v74.1i ;15
 RefreshF': v50.1i ;15
 RefreshF': #R96.2i ;25
 RefreshF': #TP136.1i ;27

RefreshG': u07.1i ;16
 RefreshG': u39.1i ;16
 RefreshG': u71.1i ;16
 RefreshG': v03.1i ;16
 RefreshG': v11.1i ;16
 RefreshG': u79.1i ;16
 RefreshG': u47.1i ;16
 RefreshG': u15.1i ;16
 RefreshG': u23.1i ;16
 RefreshG': u55.1i ;16
 RefreshG': u87.1i ;16
 RefreshG': v19.1i ;16
 RefreshG': v27.1i ;16
 RefreshG': u95.1i ;16
 RefreshG': u63.1i ;16
 RefreshG': u31.1i ;16
 RefreshG': v35.1i ;17
 RefreshG': v59.1i ;17
 RefreshG': v43.1i ;17
 RefreshG': v51.1i ;17
 RefreshG': v67.1i ;17
 RefreshG': v75.1i ;17
 RefreshG': #R90.2i ;25
 RefreshG': #TP138.1i ;27

RefreshH': u08.1i ;18
 RefreshH': u40.1i ;18
 RefreshH': u72.1i ;18
 RefreshH': v04.1i ;18
 RefreshH': v12.1i ;18
 RefreshH': u80.1i ;18
 RefreshH': u48.1i ;18
 RefreshH': u16.1i ;18
 RefreshH': u24.1i ;18
 RefreshH': u56.1i ;18
 RefreshH': u88.1i ;18
 RefreshH': v20.1i ;18
 RefreshH': v28.1i ;18
 RefreshH': u96.1i ;18
 RefreshH': u64.1i ;18
 RefreshH': u32.1i ;18
 RefreshH': v36.1i ;19
 RefreshH': v60.1i ;19
 RefreshH': v44.1i ;19
 RefreshH': v52.1i ;19
 RefreshH': v68.1i ;19
 RefreshH': v76.1i ;19
 RefreshH': #R89.2i ;25
 RefreshH': #TP140.1i ;27

SAddr.00: v79.2i, v84.4i ;02
 SAddr.00: E32, v83.6i, v77.8i ;02
 SAddr.00: v82.2i, v87.4i ;03
 SAddr.00: v86.6i, v80.8i ;03

XEROX	PROPRIETARY NOTE ON COVER SHEET APPLIES TO ALL SHEETS		DWG SIZE A4	DWG NO. 156P12068	SHEET REV. A
	TITLE SCHEMATIC, MSC-X		SHEET 59	OF	

SAddr.00: v89.2i ;26
 SAddr.01: E132, v84.11i, v77.17i ;02
 SAddr.01: v85.15i, v79.13i ;02
 SAddr.01: v88.15i, v82.13i ;03
 SAddr.01: v87.11i, v80.17i ;03
 SAddr.01: v89.4i ;26
 SAddr.02: E33, v83.13i, v77.11i ;02
 SAddr.02: v79.17i, v84.15i ;02
 SAddr.02: v82.17i, v87.15i ;03
 SAddr.02: v86.13i, v80.11i ;03
 SAddr.02: v89.13o ;26
 SAddr.03: E133, v83.15i, v77.13i ;02
 SAddr.03: v85.11i, v84.17i ;02
 SAddr.03: v88.11i, v87.17i ;03
 SAddr.03: v86.15i, v80.13i ;03
 SAddr.03: v89.14o ;26
 SAddr.04: E34, v83.17i, v77.15i ;02
 SAddr.04: v85.13i, v79.11i ;02
 SAddr.04: v88.13i, v82.11i ;03
 SAddr.04: v86.17i, v80.15i ;03
 SAddr.04: v89.15o ;26
 SAddr.05: E134, v83.2i, v77.4i ;02
 SAddr.05: v85.6i, v79.8i ;02
 SAddr.05: v88.6i, v82.8i ;03
 SAddr.05: v86.2i, v80.4i ;03
 SAddr.05: v89.3i ;26
 SAddr.06: E35, v83.4i, v77.6i ;02
 SAddr.06: v85.8i, v84.2i ;02
 SAddr.06: v88.8i, v87.2i ;03
 SAddr.06: v86.4i, v80.6i ;03
 SAddr.06: v89.1i ;26
 SAddr.07: E135, v84.8i, v77.2i ;02
 SAddr.07: v85.4i, v79.6i ;02
 SAddr.07: v87.8i, v80.2i ;03
 SAddr.07: v88.4i, v82.6i ;03
 SAddr.07: v89.5i ;26
 SDI.00': u02.2i, u03.2i, u04.2i ;20
 SDI.00': u01.2i
 SDI.00': u06.2i, u07.2i, u08.2i ;21
 SDI.00': u05.2i
 SDI.00': #R97.2i ;26
 SDI.00': #TP88.1i ;27
 SDI.00: E96, v98.9i ;22
 SDI.00z': v98.8o ;22
 SDI.00z': #R97.1o ;26
 SDI.01': u10.2i, u11.2i, u12.2i ;20
 SDI.01': u09.2i
 SDI.01': u14.2i, u15.2i, u16.2i ;21

SDI.01': u13.2i
 SDI.01': #R98.2i ;26
 SDI.01': #TP87.1i ;27
 SDI.01: E196, v98.5i ;22
 SDI.01z': v98.6o ;22
 SDI.01z': #R98.1o ;26
 SDI.02': u18.2i, u19.2i, u20.2i ;20
 SDI.02': u17.2i
 SDI.02': u22.2i, u23.2i, u24.2i ;21
 SDI.02': u21.2i
 SDI.02': #R99.2i ;26
 SDI.02': #TP86.1i ;27
 SDI.02: E95, v98.11i ;22
 SDI.02z': v98.10o ;22
 SDI.02z': #R99.1o ;26
 SDI.03': u26.2i, u27.2i, u28.2i ;20
 SDI.03': u25.2i
 SDI.03': u30.2i, u31.2i, u32.2i ;21
 SDI.03': u29.2i
 SDI.03': #R100.2i ;26
 SDI.03': #TP85.1i ;27
 SDI.03: E195, v98.3i ;22
 SDI.03z': v98.4o ;22
 SDI.03z': #R100.1o ;26
 SDI.04': u34.2i, u35.2i, u36.2i ;20
 SDI.04': u33.2i
 SDI.04': u38.2i, u39.2i, u40.2i ;21
 SDI.04': u37.2i
 SDI.04': #R101.2i ;26
 SDI.04': #TP84.1i ;27
 SDI.04: E94, v98.13i ;22
 SDI.04z': v98.12o ;22
 SDI.04z': #R101.1o ;26
 SDI.05': u42.2i, u43.2i, u44.2i ;20
 SDI.05': u41.2i
 SDI.05': u46.2i, u47.2i, u48.2i ;21
 SDI.05': u45.2i
 SDI.05': #R102.2i ;26
 SDI.05': #TP83.1i ;27
 SDI.05: E194, v98.1i ;22
 SDI.05z': v98.2o ;22
 SDI.05z': #R102.1o ;26
 SDI.06': u50.2i, u51.2i, u52.2i ;20
 SDI.06': u49.2i

XEROX	PROPRIETARY NOTE ON COVER SHEET APPLIES TO ALL SHEETS		DWG SIZE A4	DWG NO. 156P12068	SHEET REV. A
	TITLE SCHEMATIC, MSC-X		SHEET 60	OF	

SDI.06': u54.2i, u55.2i, u56.2i ;21
SDI.06': u53.2i
SDI.06': #R103.2i ;26
SDI.06': #TP82.1i ;27

SDI.06: E93, v99.9i ;22

SDI.06z': v99.8o ;22
SDI.06z': #R103.1o ;26

SDI.07': u58.2i, u59.2i, u60.2i ;20
SDI.07': u57.2i
SDI.07': u62.2i, u63.2i, u64.2i ;21
SDI.07': u61.2i
SDI.07': #R104.2i ;26
SDI.07': #TP81.1i ;27

SDI.07: E193, v99.5i ;22

SDI.07z': v99.6o ;22
SDI.07z': #R104.1o ;26

SDI.08': u66.2i, u67.2i, u68.2i ;20
SDI.08': u65.2i
SDI.08': u70.2i, u71.2i, u72.2i ;21
SDI.08': u69.2i
SDI.08': #R105.2i ;26
SDI.08': #TP96.1i ;27

SDI.08: E92, v99.11i ;22

SDI.08z': v99.10o ;22
SDI.08z': #R105.1o ;26

SDI.09': u74.2i, u75.2i, u76.2i ;20
SDI.09': u73.2i
SDI.09': u78.2i, u79.2i, u80.2i ;21
SDI.09': u77.2i
SDI.09': #R106.2i ;26
SDI.09': #TP95.1i ;27

SDI.09: E192, v99.3i ;22

SDI.09z': v99.4o ;22
SDI.09z': #R106.1o ;26

SDI.10': u82.2i, u83.2i, u84.2i ;20
SDI.10': u81.2i
SDI.10': u86.2i, u87.2i, u88.2i ;21
SDI.10': u85.2i
SDI.10': #R107.2i ;26
SDI.10': #TP94.1i ;27

SDI.10: E91, v99.13i ;22

SDI.10z': v99.12o ;22
SDI.10z': #R107.1o ;26

SDI.11': u90.2i, u91.2i, u92.2i ;20

SDI.11': u89.2i
SDI.11': u94.2i, u95.2i, u96.2i ;21
SDI.11': u93.2i
SDI.11': #R108.2i ;26
SDI.11': #TP93.1i ;27

SDI.11: E191, v99.1i ;22

SDI.11z': v99.2o ;22
SDI.11z': #R108.1o ;26

SDI.12': u98.2i, u99.2i, v00.2i ;20
SDI.12': u97.2i
SDI.12': v02.2i, v03.2i, v04.2i ;21
SDI.12': v01.2i
SDI.12': #R109.2i ;26
SDI.12': #TP92.1i ;27

SDI.12: E89, w00.9i ;22

SDI.12z': w00.8o ;22
SDI.12z': #R109.1o ;26

SDI.13': v06.2i, v07.2i, v08.2i ;20
SDI.13': v05.2i
SDI.13': v10.2i, v11.2i, v12.2i ;21
SDI.13': v09.2i
SDI.13': #R110.2i ;26
SDI.13': #TP91.1i ;27

SDI.13: E189, w00.5i ;22

SDI.13z': w00.6o ;22
SDI.13z': #R110.1o ;26

SDI.14': v14.2i, v15.2i, v16.2i ;20
SDI.14': v13.2i
SDI.14': v18.2i, v19.2i, v20.2i ;21
SDI.14': v17.2i
SDI.14': #R111.2i ;26
SDI.14': #TP90.1i ;27

SDI.14: E88, w00.11i ;22

SDI.14z': w00.10o ;22
SDI.14z': #R111.1o ;26

SDI.15': v22.2i, v23.2i, v24.2i ;20
SDI.15': v21.2i
SDI.15': v26.2i, v27.2i, v28.2i ;21
SDI.15': v25.2i
SDI.15': #R112.2i ;26
SDI.15': #TP89.1i ;27

SDI.15: E188, w00.3i ;22

SDI.15z': w00.4o ;22
SDI.15z': #R112.1o ;26

XEROX	PROPRIETARY NOTE ON COVER SHEET APPLIES TO ALL SHEETS		DWG SIZE A4	DWG NO. 156P12068	SHEET REV. A
	TITLE SCHEMATIC, MSC-X			SHEET 61 OF	

SDI.16': v30.2i, v31.2i, v32.2i ;20
 SDI.16': v29.2i
 SDI.16': v34.2i, v35.2i, v36.2i ;21
 SDI.16': v33.2i
 SDI.16': #R113.2i ;26
 SDI.16': #TP102.1i ;27

SDI.16: E87, w00.13i ;22

SDI.16z': w00.12o ;22
 SDI.16z': #R113.1o ;26

SDI.17': v38.2i, v39.2i, v40.2i ;20
 SDI.17': v37.2i
 SDI.17': v42.2i, v43.2i, v44.2i ;21
 SDI.17': v41.2i
 SDI.17': #R114.2i ;26
 SDI.17': #TP101.1i ;27

SDI.17: E187, w00.1i ;22

SDI.17z': w00.2o ;22
 SDI.17z': #R114.1o ;26

SDI.18': v46.2i, v47.2i, v48.2i ;20
 SDI.18': v45.2i
 SDI.18': v50.2i, v51.2i, v52.2i ;21
 SDI.18': v49.2i
 SDI.18': #R115.2i ;26
 SDI.18': #TP100.1i ;27

SDI.18: E86, w01.9i ;22

SDI.18z': w01.8o ;22
 SDI.18z': #R115.1o ;26

SDI.19': v54.2i, v55.2i, v56.2i ;20
 SDI.19': v53.2i
 SDI.19': v58.2i, v59.2i, v60.2i ;21
 SDI.19': v57.2i
 SDI.19': #R116.2i ;26
 SDI.19': #TP99.1i ;27

SDI.19: E186, w01.5i ;22

SDI.19z': w01.6o ;22
 SDI.19z': #R116.1o ;26

SDI.20': v62.2i, v63.2i, v64.2i ;20
 SDI.20': v61.2i
 SDI.20': v66.2i, v67.2i, v68.2i ;21
 SDI.20': v65.2i
 SDI.20': #R117.2i ;26
 SDI.20': #TP98.1i ;27

SDI.20: E85, w01.11i ;22

SDI.20z': w01.10o ;22
 SDI.20z': #R117.1o ;26

SDI.21': v70.2i, v71.2i, v72.2i ;20
 SDI.21': v69.2i
 SDI.21': v74.2i, v75.2i, v76.2i ;21
 SDI.21': v73.2i
 SDI.21': #R118.2i ;26
 SDI.21': #TP97.1i ;27

SDI.21: E185, w01.3i ;22

SDI.21z': w01.4o ;22
 SDI.21z': #R118.1o ;26

SDO.00: w04.18o, E18 ;23

SDO.01: w04.3o, E118 ;23

SDO.02: w04.16o, E19 ;23

SDO.03: w04.5o, E119 ;23

SDO.04: w04.14o, E21 ;23

SDO.05: w04.7o, E121 ;23

SDO.06: w04.12o, E22 ;23

SDO.07: w04.9o, E122 ;23

SDO.08: w03.18o, E23 ;23

SDO.09: w03.3o, E123 ;23

SDO.10: w03.16o, E24 ;23

SDO.11: w03.5o, E124 ;23

SDO.12: w03.14o, E25 ;23

SDO.13: w03.7o, E125 ;23

SDO.14: w03.12o, E26 ;23

SDO.15: w03.9o, E126 ;23

SDO.16: v94.18o, E27 ;23

SDO.17: v94.3o, E127 ;23

SDO.18: v94.16o, E28 ;23

SDO.19: v94.5o, E128 ;23

SDO.20: v94.14o, E29 ;23

SDO.21: v94.7o, E129 ;23

Se1A: v90.8o, v78.10i ;01

XEROX	PROPRIETARY NOTE ON COVER SHEET APPLIES TO ALL SHEETS		DWG SIZE A4	DWG NO. 156P12068	SHEET REV. A
	TITLE SCHEMATIC, MSC-X		SHEET 62 OF		

Se1B: v90.6o, v78.4i ;01
 Se1BankABCD': w02.15i ;01
 Se1BankABCD': v97.12o ;01
 Se1BankEFGH': w02.1i ;01
 Se1BankEFGH': v97.6o ;01
 Se1C: v91.8o, v78.13i ;01
 Se1D: v91.6o, v78.2i ;01
 Se1E: v93.8o, v81.10i ;01
 Se1F: v93.6o, v81.4i ;01
 Se1G: v93.11o, v81.13i ;01
 Se1H: v93.3o, v81.2i ;01

VCC: u01.8i ;05
 VCC: u09.8i ;05
 VCC: u17.8i ;05
 VCC: u25.8i ;05
 VCC: u33.8i ;05
 VCC: u73.8i ;05
 VCC: u65.8i ;05
 VCC: u57.8i ;05
 VCC: u49.8i ;05
 VCC: u41.8i ;05
 VCC: u81.8i ;05
 VCC: u89.8i ;05
 VCC: u97.8i ;05
 VCC: v05.8i ;05
 VCC: v13.8i ;05
 VCC: v53.8i ;05
 VCC: v45.8i ;05
 VCC: v37.8i ;05
 VCC: v29.8i ;05
 VCC: v21.8i ;05
 VCC: v61.8i ;05
 VCC: v69.8i ;05
 VCC: u02.8i ;07
 VCC: u10.8i ;07
 VCC: u18.8i ;07
 VCC: u26.8i ;07
 VCC: u34.8i ;07
 VCC: u74.8i ;07
 VCC: u66.8i ;07
 VCC: u58.8i ;07
 VCC: u50.8i ;07
 VCC: u42.8i ;07
 VCC: u82.8i ;07
 VCC: u90.8i ;07
 VCC: u98.8i ;07
 VCC: v06.8i ;07
 VCC: v14.8i ;07
 VCC: v54.8i ;07
 VCC: v46.8i ;07

VCC: v38.8i ;07
 VCC: v30.8i ;07
 VCC: v22.8i ;07
 VCC: v62.8i ;07
 VCC: v70.8i ;07
 VCC: u03.8i ;09
 VCC: u11.8i ;09
 VCC: u19.8i ;09
 VCC: u27.8i ;09
 VCC: u35.8i ;09
 VCC: u75.8i ;09
 VCC: u67.8i ;09
 VCC: u59.8i ;09
 VCC: u51.8i ;09
 VCC: u43.8i ;09
 VCC: u83.8i ;09
 VCC: u91.8i ;09
 VCC: u99.8i ;09
 VCC: v07.8i ;09
 VCC: v15.8i ;09
 VCC: v55.8i ;09
 VCC: v47.8i ;09
 VCC: v39.8i ;09
 VCC: v31.8i ;09
 VCC: v23.8i ;09
 VCC: v63.8i ;09
 VCC: v71.8i ;09
 VCC: u04.8i ;11
 VCC: u12.8i ;11
 VCC: u20.8i ;11
 VCC: u28.8i ;11
 VCC: u36.8i ;11
 VCC: u76.8i ;11
 VCC: u68.8i ;11
 VCC: u60.8i ;11
 VCC: u52.8i ;11
 VCC: u44.8i ;11
 VCC: u84.8i ;11
 VCC: u92.8i ;11
 VCC: v00.8i ;11
 VCC: v08.8i ;11
 VCC: v16.8i ;11
 VCC: v56.8i ;11
 VCC: v48.8i ;11
 VCC: v40.8i ;11
 VCC: v32.8i ;11
 VCC: v24.8i ;11
 VCC: v64.8i ;11
 VCC: v72.8i ;11
 VCC: u05.8i ;13
 VCC: u13.8i ;13
 VCC: u21.8i ;13
 VCC: u29.8i ;13
 VCC: u37.8i ;13
 VCC: u77.8i ;13
 VCC: u69.8i ;13
 VCC: u61.8i ;13
 VCC: u53.8i ;13
 VCC: u45.8i ;13

VCC: u85.8i ;13
VCC: u93.8i ;13
VCC: v01.8i ;13
VCC: v09.8i ;13
VCC: v17.8i ;13
VCC: v57.8i ;13
VCC: v49.8i ;13
VCC: v41.8i ;13
VCC: v33.8i ;13
VCC: v25.8i ;13
VCC: v65.8i ;13
VCC: v73.8i ;13
VCC: u06.8i ;15
VCC: u14.8i ;15
VCC: u22.8i ;15
VCC: u30.8i ;15
VCC: u38.8i ;15
VCC: u78.8i ;15
VCC: u70.8i ;15
VCC: u62.8i ;15
VCC: u54.8i ;15
VCC: u46.8i ;15
VCC: u86.8i ;15
VCC: u94.8i ;15
VCC: v02.8i ;15
VCC: v10.8i ;15
VCC: v18.8i ;15
VCC: v58.8i ;15
VCC: v50.8i ;15
VCC: v42.8i ;15
VCC: v34.8i ;15
VCC: v26.8i ;15
VCC: v66.8i ;15
VCC: v74.8i ;15
VCC: u07.8i ;17
VCC: u15.8i ;17
VCC: u23.8i ;17
VCC: u31.8i ;17
VCC: u39.8i ;17
VCC: u79.8i ;17
VCC: u71.8i ;17
VCC: u63.8i ;17
VCC: u55.8i ;17
VCC: u47.8i ;17
VCC: u87.8i ;17
VCC: u95.8i ;17
VCC: v03.8i ;17
VCC: v11.8i ;17
VCC: v19.8i ;17
VCC: v59.8i ;17
VCC: v51.8i ;17
VCC: v43.8i ;17
VCC: v35.8i ;17
VCC: v27.8i ;17
VCC: v67.8i ;17
VCC: v75.8i ;17
VCC: u08.8i ;19
VCC: u16.8i ;19
VCC: u24.8i ;19

VCC: u32.8i ;19
VCC: u40.8i ;19
VCC: u80.8i ;19
VCC: u72.8i ;19
VCC: u64.8i ;19
VCC: u56.8i ;19
VCC: u48.8i ;19
VCC: u88.8i ;19
VCC: u96.8i ;19
VCC: v04.8i ;19
VCC: v12.8i ;19
VCC: v20.8i ;19
VCC: v60.8i ;19
VCC: v52.8i ;19
VCC: v44.8i ;19
VCC: v36.8i ;19
VCC: v28.8i ;19
VCC: v68.8i ;19
VCC: v76.8i ;19
VCC: #R1.1o ;24
VCC: #R93.1o ;24
VCC: #R92.1o ;24
VCC: #R91.1o ;24
VCC: #R90.1o ;25
VCC: #R89.1o ;25
VCC: #R96.1o ;25
VCC: #R95.1o ;25

Write': E138, v92.5i ;02
Write': v89.6i ;26

WriteA': u01.3i ;04
WriteA': u33.3i ;04
WriteA': u65.3i ;04
WriteA': u97.3i ;04
WriteA': v05.3i ;04
WriteA': u73.3i ;04
WriteA': u41.3i ;04
WriteA': u09.3i ;04
WriteA': u17.3i ;04
WriteA': u49.3i ;04
WriteA': u81.3i ;04
WriteA': v13.3i ;04
WriteA': v21.3i ;04
WriteA': u89.3i ;04
WriteA': u57.3i ;04
WriteA': u25.3i ;04
WriteA': v37.3i ;05
WriteA': v45.3i ;05
WriteA': v69.3i ;05
WriteA': v61.3i ;05
WriteA': v53.3i ;05
WriteA': v29.3i ;05
WriteA': #R11.2i ;24
WriteA': #TP16.1i ;27

WriteAz': v83.12o ;02
WriteAz': #R11.1o ;24

XEROX	PROPRIETARY NOTE ON COVER SHEET APPLIES TO ALL SHEETS		DWG SIZE	DWG NO. 156P12068	SHEET REV. A
	TITLE	SCHEMATIC, MSC-X	A4	SHEET 64 OF	

WriteB': u02.3i ;06
 WriteB': u34.3i ;06
 WriteB': u66.3i ;06
 WriteB': u98.3i ;06
 WriteB': v06.3i ;06
 WriteB': u74.3i ;06
 WriteB': u42.3i ;06
 WriteB': u10.3i ;06
 WriteB': u18.3i ;06
 WriteB': u50.3i ;06
 WriteB': u82.3i ;06
 WriteB': v14.3i ;06
 WriteB': v22.3i ;06
 WriteB': u90.3i ;06
 WriteB': u58.3i ;06
 WriteB': u26.3i ;06
 WriteB': v30.3i ;07
 WriteB': v54.3i ;07
 WriteB': v62.3i ;07
 WriteB': v38.3i ;07
 WriteB': v46.3i ;07
 WriteB': v70.3i ;07
 WriteB': #R22.2i ;24
 WriteB': #TP22.1i ;27

WriteBz': v84.14o ;02
 WriteBz': #R22.1o ;24

WriteC': u03.3i ;08
 WriteC': u35.3i ;08
 WriteC': u67.3i ;08
 WriteC': u99.3i ;08
 WriteC': v07.3i ;08
 WriteC': u75.3i ;08
 WriteC': u43.3i ;08
 WriteC': u11.3i ;08
 WriteC': u19.3i ;08
 WriteC': u51.3i ;08
 WriteC': u83.3i ;08
 WriteC': v15.3i ;08
 WriteC': v23.3i ;08
 WriteC': u91.3i ;08
 WriteC': u59.3i ;08
 WriteC': u27.3i ;08
 WriteC': v31.3i ;09
 WriteC': v55.3i ;09
 WriteC': v63.3i ;09
 WriteC': v39.3i ;09
 WriteC': v47.3i ;09
 WriteC': v71.3i ;09
 WriteC': #R33.2i ;24
 WriteC': #TP28.1i ;27

WriteCz': v79.16o ;02
 WriteCz': #R33.1o ;24

WriteD': u04.3i ;10
 WriteD': u36.3i ;10
 WriteD': u68.3i ;10

WriteD': v00.3i ;10
 WriteD': v08.3i ;10
 WriteD': u76.3i ;10
 WriteD': u44.3i ;10
 WriteD': u12.3i ;10
 WriteD': u20.3i ;10
 WriteD': u52.3i ;10
 WriteD': u84.3i ;10
 WriteD': v16.3i ;10
 WriteD': v24.3i ;10
 WriteD': u92.3i ;10
 WriteD': u60.3i ;10
 WriteD': u28.3i ;10
 WriteD': v32.3i ;11
 WriteD': v56.3i ;11
 WriteD': v64.3i ;11
 WriteD': v40.3i ;11
 WriteD': v48.3i ;11
 WriteD': v72.3i ;11
 WriteD': #R44.2i ;24
 WriteD': #TP34.1i ;27

WriteDz': v85.18o ;02
 WriteDz': #R44.1o ;24

WriteE': u05.3i ;12
 WriteE': u37.3i ;12
 WriteE': u69.3i ;12
 WriteE': v01.3i ;12
 WriteE': v17.3i ;12
 WriteE': u85.3i ;12
 WriteE': u53.3i ;12
 WriteE': u21.3i ;12
 WriteE': u29.3i ;12
 WriteE': u61.3i ;12
 WriteE': u93.3i ;12
 WriteE': v25.3i ;12
 WriteE': v09.3i ;12
 WriteE': u77.3i ;12
 WriteE': u45.3i ;12
 WriteE': u13.3i ;12
 WriteE': v33.3i ;13
 WriteE': v57.3i ;13
 WriteE': v65.3i ;13
 WriteE': v41.3i ;13
 WriteE': v49.3i ;13
 WriteE': v73.3i ;13
 WriteE': #R54.2i ;25
 WriteE': #TP56.1i ;27

WriteEz': v86.12o ;03
 WriteEz': #R54.1o ;25

WriteF': u06.3i ;14
 WriteF': u38.3i ;14
 WriteF': u70.3i ;14
 WriteF': v02.3i ;14
 WriteF': v10.3i ;14
 WriteF': u78.3i ;14

WriteF': u46.3i ;14
 WriteF': u14.3i ;14
 WriteF': u22.3i ;14
 WriteF': u54.3i ;14
 WriteF': u86.3i ;14
 WriteF': v18.3i ;14
 WriteF': v26.3i ;14
 WriteF': u94.3i ;14
 WriteF': u62.3i ;14
 WriteF': u30.3i ;14
 WriteF': v34.3i ;15
 WriteF': v58.3i ;15
 WriteF': v66.3i ;15
 WriteF': v42.3i ;15
 WriteF': v50.3i ;15
 WriteF': v74.3i ;15
 WriteF': #R65.2i ;25
 WriteF': #TP62.1i ;27

WriteFz': v87.14o ;03
 WriteFz': #R65.1o ;25

WriteG': u07.3i ;16
 WriteG': u39.3i ;16
 WriteG': u71.3i ;16
 WriteG': v03.3i ;16
 WriteG': v11.3i ;16
 WriteG': u79.3i ;16
 WriteG': u47.3i ;16
 WriteG': u15.3i ;16
 WriteG': u23.3i ;16
 WriteG': u55.3i ;16
 WriteG': u87.3i ;16
 WriteG': v19.3i ;16
 WriteG': v27.3i ;16
 WriteG': u95.3i ;16
 WriteG': u63.3i ;16
 WriteG': u31.3i ;16
 WriteG': v35.3i ;17
 WriteG': v59.3i ;17
 WriteG': v67.3i ;17
 WriteG': v43.3i ;17
 WriteG': v51.3i ;17
 WriteG': v75.3i ;17
 WriteG': #R76.2i ;25
 WriteG': #TP68.1i ;27

WriteGz': v82.16o ;03
 WriteGz': #R76.1o ;25

WriteH': u08.3i ;18
 WriteH': u40.3i ;18
 WriteH': u72.3i ;18
 WriteH': v04.3i ;18
 WriteH': v12.3i ;18
 WriteH': u80.3i ;18
 WriteH': u48.3i ;18
 WriteH': u16.3i ;18
 WriteH': u24.3i ;18

WriteH': u56.3i ;18
 WriteH': u88.3i ;18
 WriteH': v20.3i ;18
 WriteH': v28.3i ;18
 WriteH': u96.3i ;18
 WriteH': u64.3i ;18
 WriteH': u32.3i ;18
 WriteH': v36.3i ;19
 WriteH': v60.3i ;19
 WriteH': v68.3i ;19
 WriteH': v44.3i ;19
 WriteH': v52.3i ;19
 WriteH': v76.3i ;19
 WriteH': #R87.2i ;25
 WriteH': #TP74.1i ;27

WriteHz': v88.18o ;03
 WriteHz': #R87.1o ;25

ZGND: E90, E80, E70, E60, E40, E30 ;28
 ZGND: E20, E10, E110, E120, E130
 ZGND: E140, E160, E170, E180, E190
 ZGND: #C207.2i, #C208.2i, #C209.2i
 ZGND: #C33.2i, #C156.2i, #C206.2i
 ZGND: #C182.2i, #C165.2i, #C99.2i
 ZGND: #C42.2i

ZP5V: #F01.2o, #C207.1i, #C208.1i ;28
 ZP5V: #C209.1i, #C33.1i, #C156.1i
 ZP5V: #C206.1i, #C182.1i, #C165.1i
 ZP5V: #C99.1i, #C42.1i
 ZP5V: #C88.1i, #C90.1i, #C195.1i ;29
 ZP5V: #C196.1i, #C198.1i, #C200.1i
 ZP5V: #C202.1i, #C92.1i, #C94.1i
 ZP5V: #C98.1i, #C98.1i, #C100.1i
 ZP5V: #C102.1i, #C104.1i, #C106.1i
 ZP5V: #C109.1i, #C111.1i, #C116.1i
 ZP5V: #C118.1i, #C119.1i, #C45.1i
 ZP5V: #C47.1i, #C49.1i, #C51.1i
 ZP5V: #C54.1i, #C56.1i, #C58.1i
 ZP5V: #C60.1i, #C61.1i, #C63.1i
 ZP5V: #C65.1i, #C67.1i, #C70.1i
 ZP5V: #C72.1i, #C74.1i, #C76.1i
 ZP5V: #C77.1i, #C79.1i, #C81.1i
 ZP5V: #C86.1i, #C2.1i, #C4.1i
 ZP5V: #C6.1i, #C8.1i, #C9.1i
 ZP5V: #C11.1i, #C13.1i, #C15.1i
 ZP5V: #C18.1i, #C20.1i, #C22.1i
 ZP5V: #C24.1i, #C25.1i, #C27.1i
 ZP5V: #C29.1i, #C31.1i, #C35.1i
 ZP5V: #C37.1i, #C39.1i, #C41.1i
 ZP5V: #C121.1i, #C123.1i, #C125.1i
 ZP5V: #C128.1i, #C130.1i, #C132.1i
 ZP5V: #C134.1i, #C135.1i, #C137.1i
 ZP5V: #C139.1i, #C141.1i, #C144.1i
 ZP5V: #C146.1i, #C148.1i, #C150.1i
 ZP5V: #C151.1i, #C153.1i, #C155.1i
 ZP5V: #C158.1i, #C161.1i
 ZP5V: #C91.1i, #C197.1i, #C199.1i ;30

XEROX	PROPRIETARY NOTE ON COVER SHEET APPLIES TO ALL SHEETS		DWG SIZE A4	DWG NO. 156P12068	SHEET REV. A
	TITLE SCHEMATIC, MSC-X		SHEET 66	OF	

ZP5V: #C201.1i, #C204.1i, #C93.1i
 ZP5V: #C95.1i, #C97.1i, #C101.1i
 ZP5V: #C103.1i, #C105.1i, #C107.1i
 ZP5V: #C108.1i, #C110.1i, #C115.1i
 ZP5V: #C117.1i, #C126.1i, #C127.1i
 ZP5V: #C129.1i, #C131.1i, #C48.1i
 ZP5V: #C50.1i, #C52.1i, #C53.1i
 ZP5V: #C55.1i, #C57.1i, #C59.1i
 ZP5V: #C62.1i, #C64.1i, #C66.1i
 ZP5V: #C68.1i, #C71.1i, #C75.1i
 ZP5V: #C78.1i, #C80.1i, #C82.1i
 ZP5V: #C84.1i, #C85.1i, #C87.1i
 ZP5V: #C89.1i, #C1.1i, #C3.1i
 ZP5V: #C5.1i, #C7.1i, #C176.1i
 ZP5V: #C10.1i, #C12.1i, #C14.1i
 ZP5V: #C16.1i, #C17.1i, #C19.1i
 ZP5V: #C21.1i, #C23.1i, #C26.1i
 ZP5V: #C28.1i, #C30.1i, #C32.1i
 ZP5V: #C34.1i, #C38.1i, #C46.1i
 ZP5V: #C133.1i, #C136.1i, #C138.1i
 ZP5V: #C140.1i, #C142.1i, #C143.1i
 ZP5V: #C145.1i, #C147.1i, #C149.1i
 ZP5V: #C152.1i, #C154.1i, #C157.1i
 ZP5V: #C159.1i, #C160.1i, #C162.1i
 ZP5V: #C164.1i, #C167.1i, #C170.1i
 ZP5V: #C172.1i, #C174.1i
 ZP5V: #C184.1i, #C185.1i, #C186.1i ;31
 ZP5V: #C187.1i, #C188.1i, #C190.1i
 ZP5V: #C191.1i, #C192.1i, #C43.1i
 ZP5V: #C189.1i, #C44.1i, #C193.1i
 ZP5V: #C194.1i, #C36.1i, #C40.1i
 ZP5V: #C69.1i, #C73.1i, #C203.1i
 ZP5V: #C120.1i, #C122.1i, #C124.1i
 ZP5V: #C177.1i, #C178.1i, #C179.1i
 ZP5V: #C180.1i, #C181.1i, #C183.1i
 ZP5V: #C83.1i, #C163.1i, #C166.1i
 ZP5V: #C168.1i, #C169.1i, #C171.1i
 ZP5V: #C173.1i, #C175.1i, #C112.1i
 ZP5V: #C113.1i, #C114.1i, #C205.1i

XEROX	PROPRIETARY NOTE ON COVER SHEET APPLIES TO ALL SHEETS		DWG SIZE A4	DWG NO. 156P12068	SHEET REV. A
	TITLE SCHEMATIC, MSC-X		SHEET 67 OF		