

REVISION RECORD			
REV	TYPE	CHK BY/DATE	CHK BY/DATE

- A5B SH6, ZNM-8, SH6, ZNF-3
- A4B SH6, ZNF-3, SH6, ZNM-8
- A3B SH6, ZNM-8
- A2B SH6, ZNM-8, SH6, ZNM-8
- A1B SH6, ZNM-7, SH6, ZNM-9, SH6, ZNM-6
-
- A2B SH6, ZNM-7, SH6, ZNM-8, SH6, ZNM-6
- A1B SH6, ZNM-7, SH6, ZNM-8, SH6, ZNM-6
-
- A5B SH6, ZNM-5, SH6, ZNM-8
- A4B SH6, ZNM-3, SH6, ZNM-8, SH6, ZNM-8, SH7, ZNM-3
- A3B SH6, ZNM-5, SH6, ZNM-4, SH6, ZNM-8
- A2B SH6, ZNM-5, SH6, ZNM-4, SH6, ZNM-6
- A1B SH6, ZNM-5, SH6, ZNM-4, SH6, ZNM-6
-
- A5B SH6, ZNM-1, SH6, ZNM-3, SH6, ZNM-6, SH7, ZNM-6, SH7, ZNM-3, SH6, ZNM-6, SH6, ZNM-4
- A4B SH6, ZNM-2, SH6, ZNM-3, SH6, ZNM-6, SH7, ZNM-7, SH7, ZNM-8, SH7, ZNM-5, SH6, ZNM-4, SH6, ZNM-6

- BAUDA SH6, ZNM-8
- SIGCE SH6, ZNM-4
- GPRD SH7, ZNM-3
- BAUDA SH6, ZNM-9
-
- SAPOLL SH6, ZNM-2, SH6, ZNM-6
- CTCE SH7, ZNM-3
- KBDPID SH7, ZNM-5
- MEMEXP SH6, ZNM-3
-
- MFEGB SH6, ZNM-4
- RDB SH6, ZNM-2, SH6, ZNM-1, SH7, ZNM-3, SH7, ZNM-6, SH6, ZNM-6, SH6, ZNM-4
- WRB ZNM-9
- TCRQB SH7, ZNM-3, SH7, ZNM-6, SH6, ZNM-6, SH6, ZNM-4
- MRB ZNM-6, SH6, ZNM-2
-
- RFSH SH6, ZNM-4
-
- MIR SH7, ZNM-3, SH7, ZNM-6, SH6, ZNM-6, SH6, ZNM-4
- RST SH6, ZNM-3, SH7, ZNM-2, SH7, ZNM-4, SH6, ZNM-4

DIMENSIONS IN:		UNTOLERANCED DIMENSIONS		XEROX MATERIAL SPEC		RELATED SPECIFICATIONS	
MILLIMETRES	INCHES	OVER	TO	XEROX PAPER SPEC	APPROVAL SIGNATURES	DATE	REFERENCE CODES

ITEM	PART NUMBER	DESCRIPTION	QTY

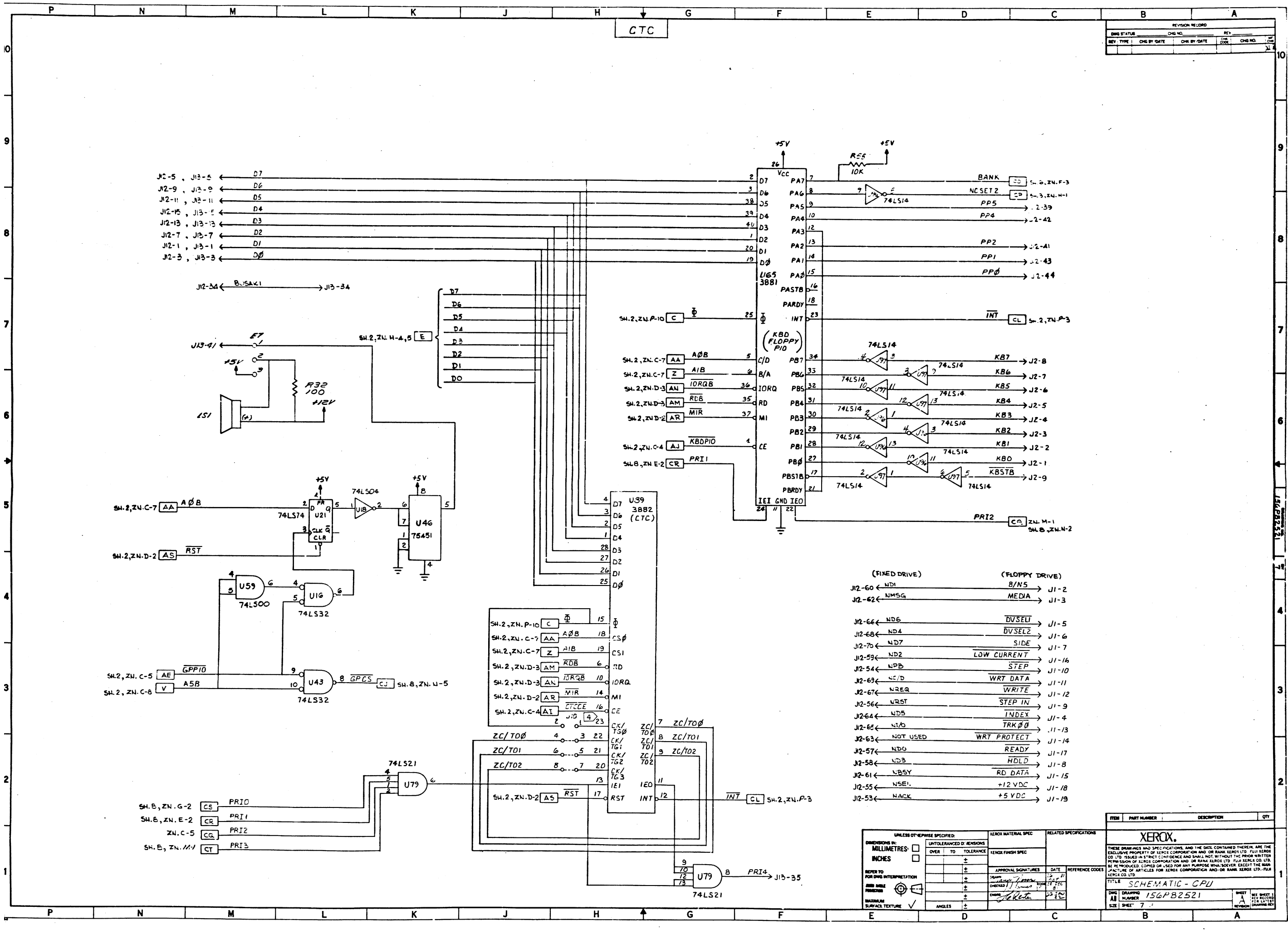
XEROX

THESE DRAWINGS AND SPECIFICATIONS AND THE DATA CONTAINED THEREIN ARE THE EXCLUSIVE PROPERTY OF XEROX CORPORATION AND OF XEROX LTD. FULL PERMISSION IS GRANTED TO XEROX CORPORATION AND OF XEROX LTD. TO REPRODUCE, COPY OR USE FOR ANY PURPOSE WHATSOEVER EXCEPT THE MANUFACTURE OF ARTICLES FOR XEROX CORPORATION AND OF XEROX LTD. FULL PERMISSION IS GRANTED TO XEROX CORPORATION AND OF XEROX LTD. TO REPRODUCE, COPY OR USE FOR ANY PURPOSE WHATSOEVER EXCEPT THE MANUFACTURE OF ARTICLES FOR XEROX CORPORATION AND OF XEROX LTD.

TITLE: SCHEMATIC - CPU

DRW NUMBER: 52F52521

SIZE: SHEET 2 OF 2



REVISION RECORD				
REV. NO.	REV. DATE	REV. BY	REV. NO.	REV. DATE

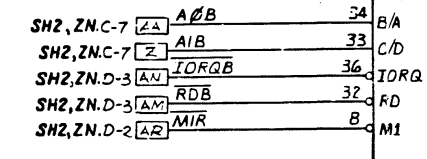
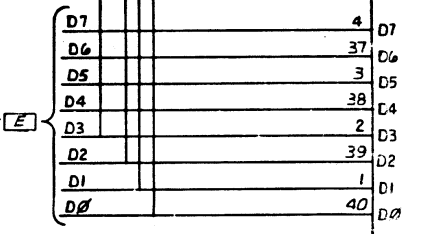
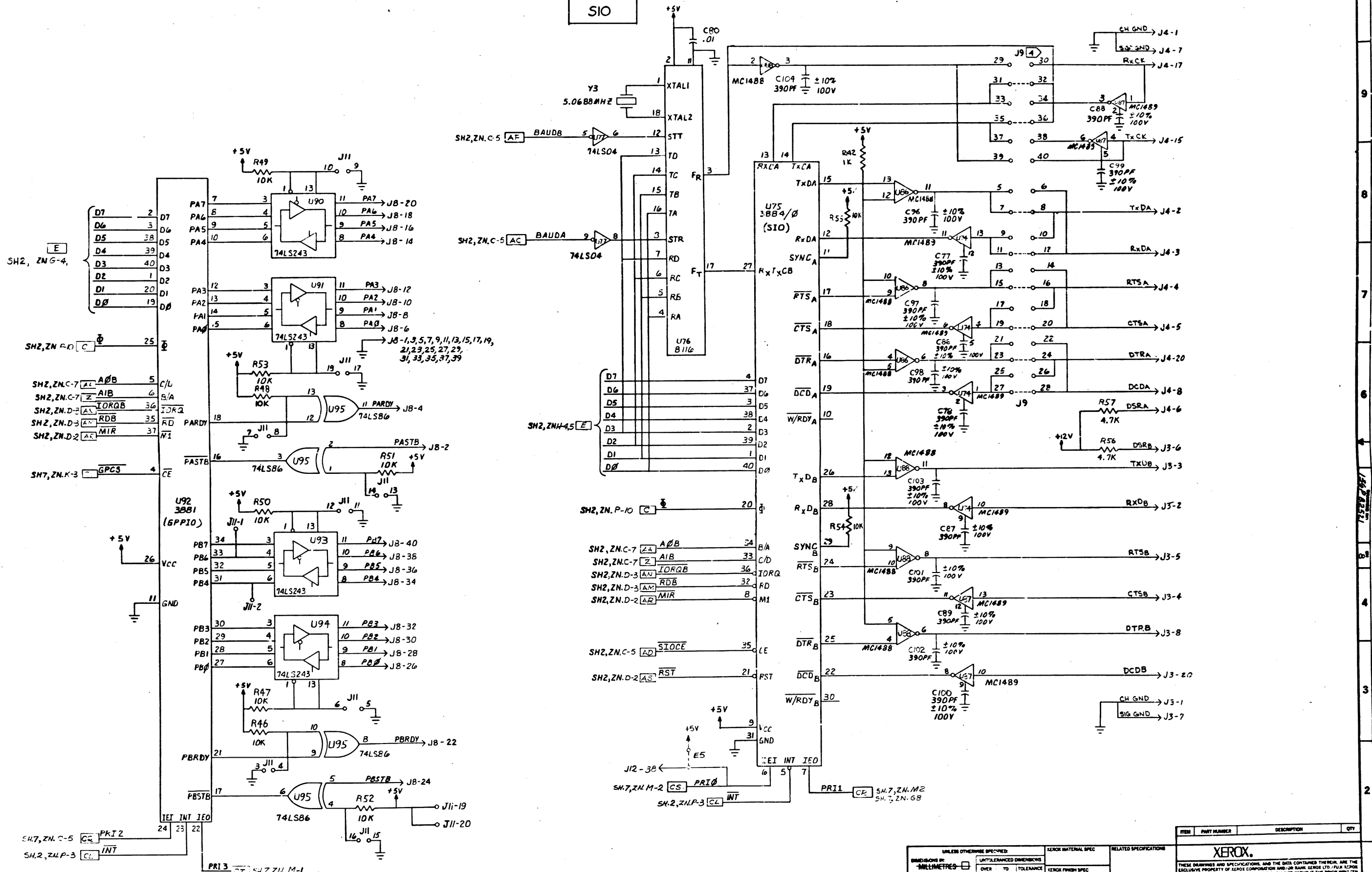
(FIXED DRIVE)		(FLOPPY DRIVE)	
J12-60	ND1	B/N5	J1-2
J12-62	NMSG	MEDIA	J1-3
J12-66	ND6	DVSEL1	J1-5
J12-68	ND4	DVSEL2	J1-6
J12-70	ND7	SIDE	J1-7
J12-59	ND2	LOW CURRENT	J1-16
J12-54	NPB	STEP	J1-10
J12-69	NC/D	WRT DATA	J1-11
J12-67	NREQ	WRITE	J1-12
J12-56	NRST	STEP IN	J1-9
J12-64	ND5	INDEX	J1-4
J12-65	N1/D	TRK 0	J1-13
J12-63	NOT USED	WRT PROTECT	J1-14
J12-57	ND0	READY	J1-17
J12-58	LD3	HDL	J1-8
J12-61	LSBY	RD DATA	J1-15
J12-55	NSEL	+12 VDC	J1-18
J12-53	NACK	+5 VDC	J1-19

DIMENSIONS IN:		UNLESS OTHERWISE SPECIFIED:		XEROX MATERIAL SPEC.		RELATED SPECIFICATIONS	
MILLIMETRES	INCHES	OVER	TOLERANCE	FINISH	FINISH SPEC.	APPROVAL SIGNATURES	DATE
<input type="checkbox"/>	<input type="checkbox"/>	±	±				

ITEM	PART NUMBER	DESCRIPTION	QTY
XEROX			
THESE DRAWINGS AND SPECIFICATIONS, AND THE DATA CONTAINED THEREIN, ARE THE EXCLUSIVE PROPERTY OF XEROX CORPORATION AND OR BANG BROS. LTD. FULL PERMISSION IS GRANTED TO ANY PARTY TO REPRODUCE OR TRANSMIT THESE DRAWINGS OR SPECIFICATIONS IN ANY FORM OR BY ANY MEANS, ELECTRONIC OR MECHANICAL, INCLUDING PHOTOCOPYING, RECORDING, OR BY ANY INFORMATION STORAGE AND RETRIEVAL SYSTEM, WITHOUT THE WRITTEN PERMISSION OF XEROX CORPORATION AND OR BANG BROS. LTD. FULL PERMISSION IS GRANTED TO ANY PARTY TO REPRODUCE OR TRANSMIT THESE DRAWINGS OR SPECIFICATIONS IN ANY FORM OR BY ANY MEANS, ELECTRONIC OR MECHANICAL, INCLUDING PHOTOCOPYING, RECORDING, OR BY ANY INFORMATION STORAGE AND RETRIEVAL SYSTEM, WITHOUT THE WRITTEN PERMISSION OF XEROX CORPORATION AND OR BANG BROS. LTD.			
TITLE: SCHEMATIC - CPU			
DWG. NO.	DRAWING NUMBER	SHEET	SEE SHEET 1 FOR LATEST REVISIONS
156P82521	156P82521	7	

GP
PIO
SIO

REVISION RECORD			
REV	TYPE	CHK BY/DATE	REV BY/DATE



UNLESS OTHERWISE SPECIFIED		XEROX MATERIAL SPEC	RELATED SPECIFICATIONS
DIMENSIONS IN: MILLIMETRES <input type="checkbox"/>	UNTOLERANCED DIMENSIONS	XEROX FINISH SPEC	
INCHES <input checked="" type="checkbox"/>	OVER TO TOLERANCE		
REFER TO FOR DIM INTERPRETATION		APPROVAL SIGNATURES	DATE
SEE NAME		CHECKED	DATE
PREPARED		DESIGNED	DATE
MAXIMUM SURFACE TEXTURE	ANGLES		

ITEM	PART NUMBER	DESCRIPTION	QTY
XEROX			
THESE DRAWINGS AND SPECIFICATIONS, AND THE DATA CONTAINED THEREIN, ARE THE EXCLUSIVE PROPERTY OF XEROX CORPORATION AND ARE LOANED TO YOU BY XEROX CORPORATION. IT IS HEREBY AGREED THAT YOU SHALL NOT, WITHOUT THE PRIOR WRITTEN PERMISSION OF XEROX CORPORATION AND/OR XEROX LTD./PLA XEROX CO. LTD., REPRODUCE, COPIES OR USE FOR ANY PURPOSE WHATSOEVER, EXCEPT THE MANUFACTURE OF ARTICLES FOR XEROX CORPORATION AND/OR XEROX LTD./PLA XEROX CO. LTD.			
TITLE: SCHEMATIC - CPU			
DRAWING NUMBER: 156P82521			
SHEET: A			
OF: 1			