

Revisions				216381	D
LAL	Rev.	Description	Chk	Date	Approved
	A	ENGRG RELEASE	<i>bn</i>	3-8-76	
	B	REVISED; ITEM 5 QTY WAS 1	<i>bn</i>	7-28-76	<i>bn</i>
	C	ADDED BOARD SILKSCREEN DWG.	<i>bn</i>	8-9-76	<i>bn</i>
	D	M/L ITEM 38 P/N WAS 514-AG10D, ITEM 39 P/N WAS 516-AG10D ITEM 40 P/N WAS 524-AG10D.	<i>bn</i>	4-13-77	<i>bn</i>

ENGINEERING
RELEASE

THIS DOCUMENT CONTAINS 9 SHEETS.

Dist Code ALT

These drawings and specifications, and the data contained therein, are the exclusive property of Xerox Corporation and/or Rank Xerox, Ltd. issued in strict confidence and shall not, without the prior written permission of Xerox Corporation or Rank Xerox, Ltd., be reproduced, copied or used for any purpose whatsoever, except the manufacture of articles by Xerox Corporation or Rank Xerox, Ltd.	Notes Unless Specified	Drawn <i>Mickanisa</i> 3-8-76 Check <i>Mickanisa</i> 7-28-76 Appr. <i>bn</i> Material	Xerox Corporation El Segundo, California XEROX Title ALTO II ASSEMBLY, PRINTED WIRING- <div style="background-color: black; width: 100px; height: 15px; margin-top: 5px;"></div>	
	1. Tolerances .XX ±.03 Angular ±1/2° .XXX ±.010			
	2. Break All Sharp Edges .010 Approx. 3. Mach. Surfaces <input checked="" type="checkbox"/>			
	4. All Dim. in Inches			
Part No. Use ALTO II EWO 7YF92	Finish	Code Ident.	Size Dwg. No.	
Next Assy. First Use 216302		18338	A 216381	
		Scale	Change Letter	
		Do Not Scale Drawing	D	
		Sheet	1 OF	

NOTES: UNLESS OTHERWISE SPECIFIED

1. ASSEMBLE PER ALTO II MODULE ASSEMBLY SPECIFICATION, DWG NO. 216207.

These drawings and specifications, and the data contained therein, are the exclusive property of Xerox Corporation and/or Rank Xerox, Ltd. issued in strict confidence and shall not, without the prior written permission of Xerox Corporation or Rank Xerox, Ltd., be reproduced, copied or used for any purpose whatsoever, except the manufacture of articles for Xerox Corporation or Rank Xerox, Ltd.

Title ALTO II
ASSEMBLY, P.W.-
ARITHMETIC LOGIC UNIT

Xerox Corporation
El Segundo, California

XEROX

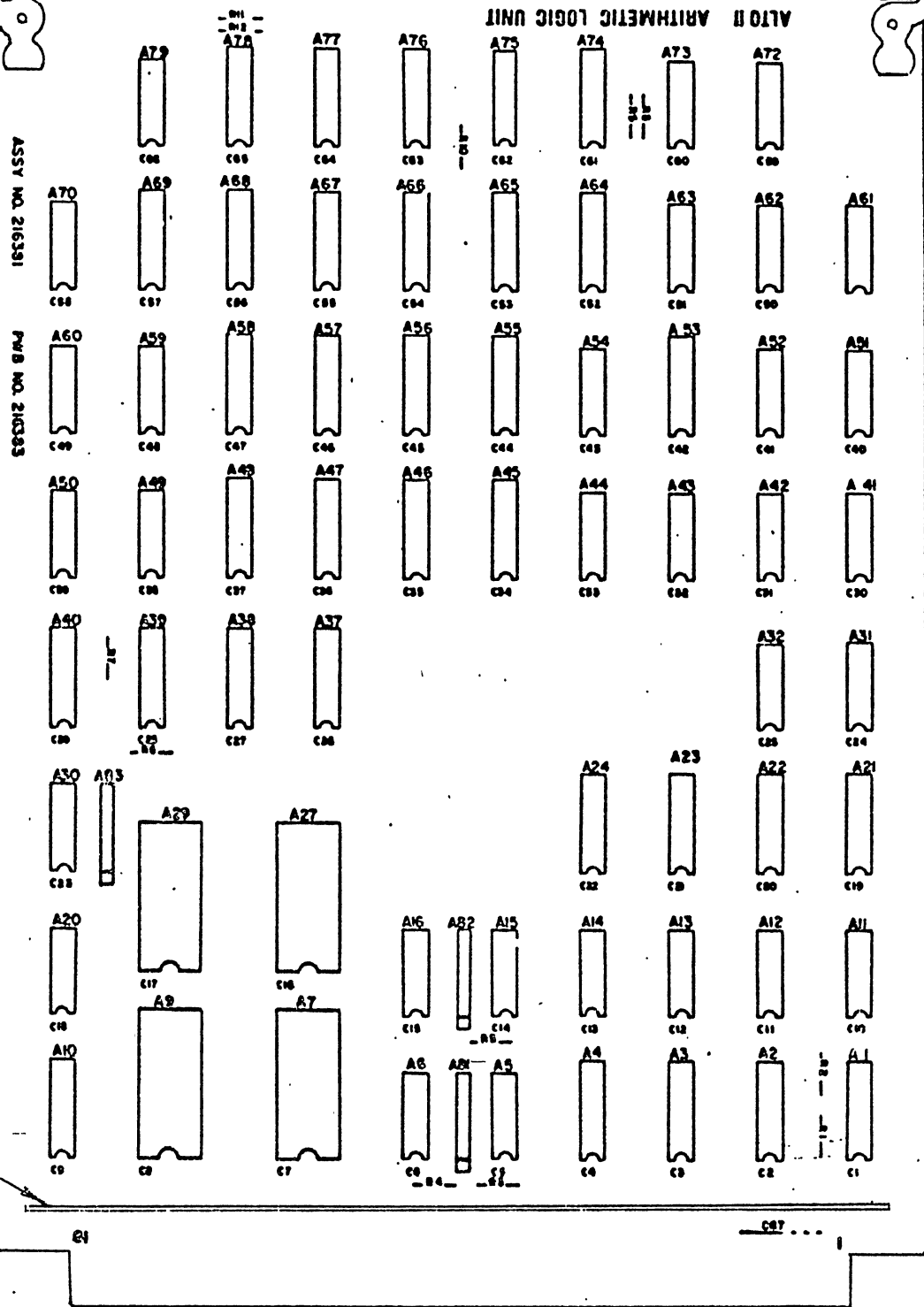
216381

D

Sheet 2 of

ALTO II ARITHMETIC LOGIC UNIT

43 44
2 PLACES



These drawings and specifications, and the data contained therein, are the exclusive property of Xerox Corporation and/or Rank Xerox, Ltd. issued in strict confidence and shall not, without the prior written permission of Xerox Corporation or Rank Xerox, Ltd., be reproduced, copied or used for any purpose whatsoever, except the manufacture of articles for Xerox Corporation or Rank Xerox, Ltd.

Title
ALTO II
ASSEMBLY, PW
ARITHMETIC LOGIC UNIT

Xerox Corporation El Segundo, California		XEROX
216381		
Sheet	3	Of

Material List

ML	Drawing No. 216381	Rev. D
-----------	-----------------------	-----------

Drawing Title
ALTO II
ASSEMBLY, PRINTED WIRING-
ARITHMETIC LOGIC UNIT

These drawings and specifications, and the data contained therein, are the exclusive property of Xerox Corporation and/or Rank Xerox, Ltd. issued in strict confidence and shall not, without the prior written permission of Xerox Corporation or Rank Xerox, Ltd., be reproduced, copied or used for any purpose whatsoever, except the manufacture of articles for Xerox Corporation or Rank Xerox, Ltd.

Model No. EWO7YF92	Date 3/5/76	Sheet 4 of
-----------------------	----------------	---------------

Drawing No. 216381

ML

Item No.	Drawing Title	Drawing No.	No. Req.	Remarks
1	Board, P. W. - ALU'	216383	1	
2	Procedure, Test	216382	REF	
3	Spec, Module Assembly	216207	REF	
4	Microcircuit, 74H00		4	A31,42,52,72
5	74H55		2	A43, 61
6	74H01		2	A44,54
7	74S02		2	A51,70
8	74H04		2	A20,30
9	74S08		4	A11,12,13,14
10	74S10		2	A41,79
11	74S30		4	A49,50,59,60
12	7438		4	A5,6,15,16
13	74H50		1	A63
14	74H51		1	A32
15	74H74		1	A73
16	7486		1	A62
17	74S133		1	A69
18	74S174		3	A37,38,39
19	74S175		4	A1,2,3,4
20	74S181		4	A7,9,17,19
21	74S182		1	A40
22	74298		4	A21,22,23,24
23				
24				
25	I3101A Intel		8	A45,46,55,56,65,66,75,76
26	F9309 Fairchild		9	A47,48,53,57,58,67,68,77,78
27	82S23 Signetics		1	A10
28	Microcircuit, 82S34 Signetics		2	A64,74
29				
30				
31	Capacitor, .05 uF, 10V		66	Centralab #UK10-503
32				C1 thru C66
34	Capacitor, 22uF, 15V, Tantalum	187720-005	1	C67

Material List

ML	Drawing No. 216381	Rev. D
-----------	------------------------------	------------------

Drawing Title

ALTO II
ASSEMBLY, PRINTED WIRING-
ARITHMETIC LOGIC UNIT

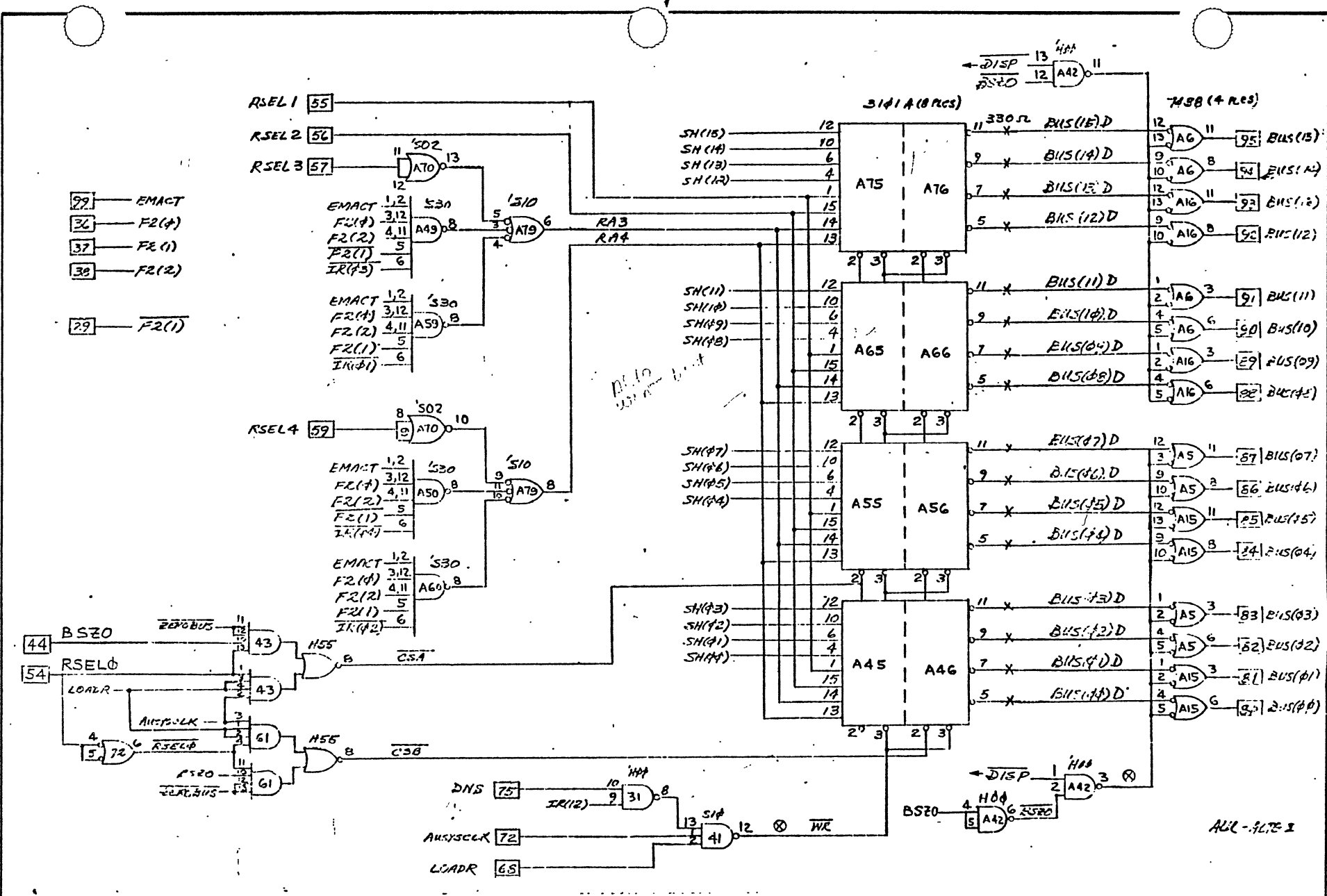
These drawings and specifications, and the data contained therein, are the exclusive property of Xerox Corporation and/or Rank Xerox, Ltd. issued in strict confidence and shall not, without the prior written permission of Xerox Corporation or Rank Xerox, Ltd., be reproduced, copied or used for any purpose whatsoever, except the manufacture of articles for Xerox Corporation or Rank Xerox, Ltd.

Model No. EWO 7YF92	Date 3/5/76	Sheet 5 of 5
-------------------------------	-----------------------	----------------------------------

216381

ML

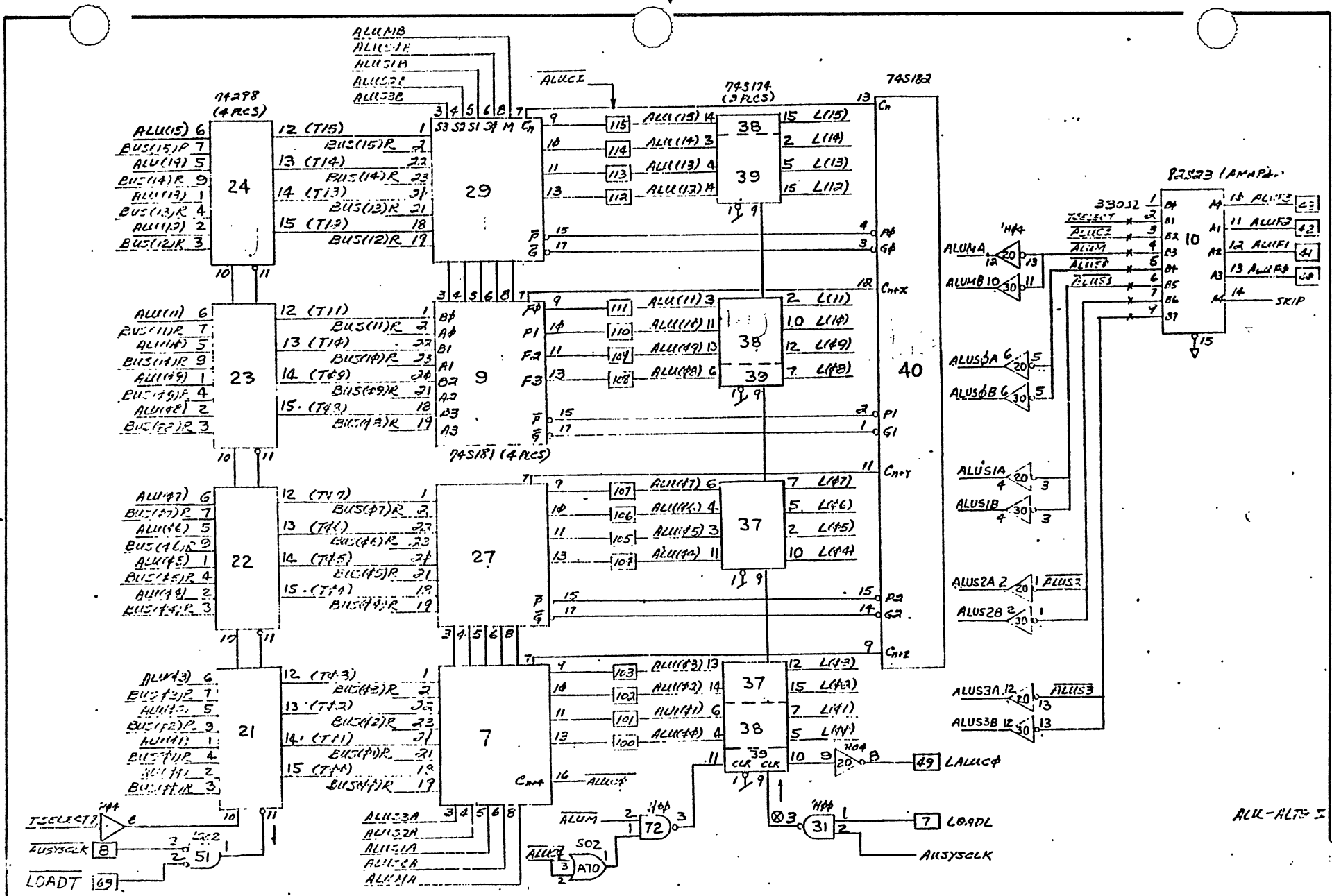
Item No.	Drawing Title	Drawing No.	No. Req.	Remarks
34	Resistor, 1K, ±5%, 1/4W	116447-102	10	R1, 2, 4, 6, Thru 12
35	Resistor, 330Ω, ±5%, 1/4W	116447-331	2	R3, R5
36	Resistor Network (SIP)		3	CTS #750-81-R330Ω
37				
38	Socket, Microcircuit		30	Augat #514-AG11D
39	Socket, Microcircuit		33	Augat #516-AG11D
40	Socket, Microcircuit		4	Augat #524-AG11D
41				
42				
43	Rivet, Blind - Pull Thru	156111-005	2	
44	Extractor, Module	216250	2	
45	Stiffener	216242	1	



These drawings and specifications, and the data contained therein, are the exclusive property of Xerox Corporation and/or Rank Xerox, Ltd. issued in strict confidence and shall not, without the prior written permission of Xerox Corporation or Rank Xerox, Ltd., be reproduced, copied or used for any purpose whatsoever, except the manufacture of articles for Xerox Corporation or Rank Xerox, Ltd.

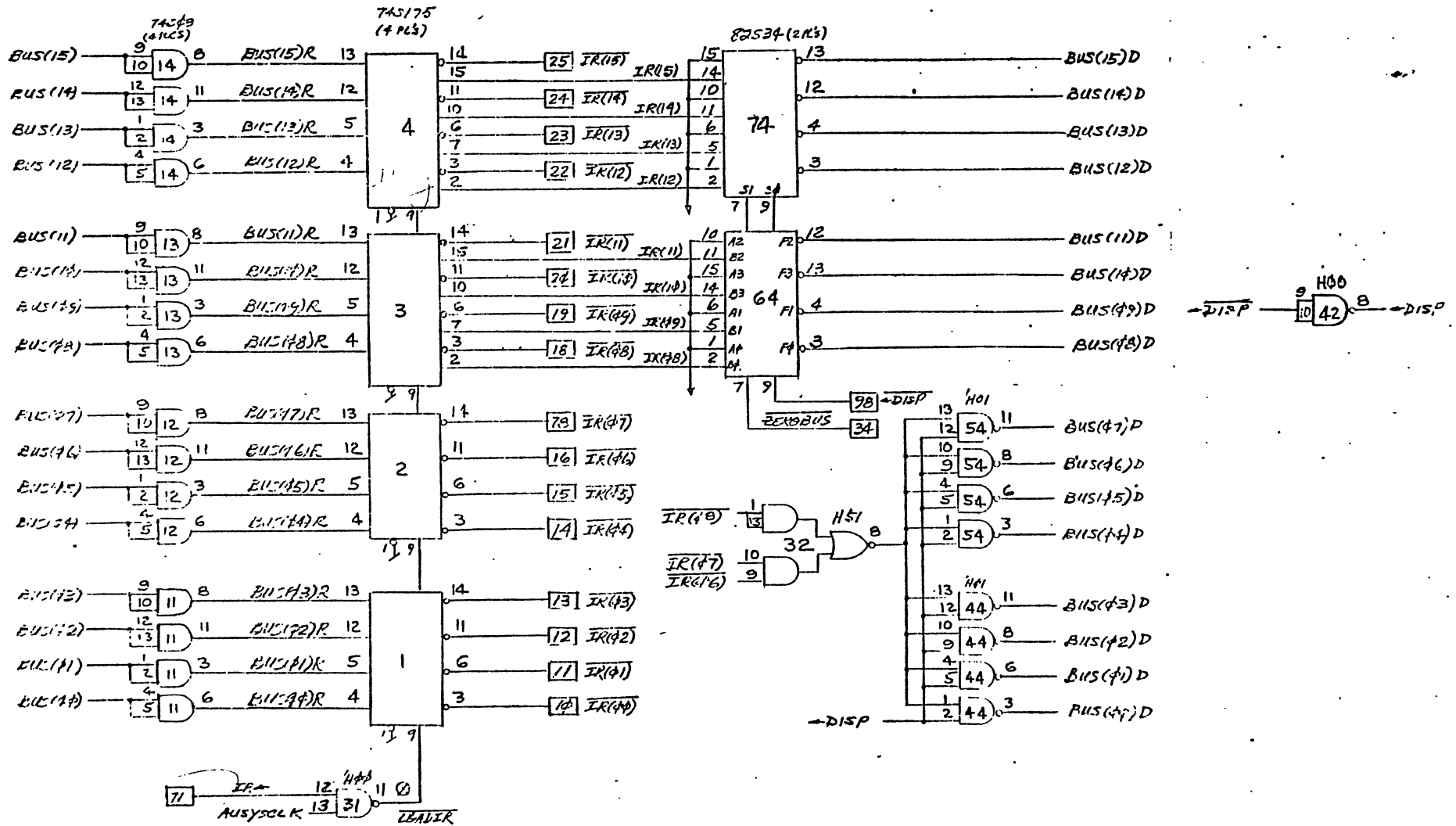
Title
**ASSEMBLY, PRINTED WIRING-
 ARITHMETIC LOGIC UNIT**

Xerox Corporation El Segundo, California		XEROX
216381		
Sheet	6	Of



These drawings and specifications, and the data contained therein, are the exclusive property of Xerox Corporation and/or Rank Xerox, Ltd. issued in strict confidence and shall not, without the prior written permission of Xerox Corporation or Rank Xerox, Ltd., be reproduced, copied or used for any purpose whatsoever, except the manufacture of articles for Xerox Corporation or Rank Xerox, Ltd.

Title		Xerox Corporation El Segundo, California	
ASSEMBLY PRINTED WIRING- ARITHMETIC LOGIC UNIT		XEROX	
Sheet		7	Of



ALL - ACT - II

These drawings and specifications, and the data contained therein, are the exclusive property of Xerox Corporation and/or Rank Xerox, Ltd. issued in strict confidence and shall not, without the prior written permission of Xerox Corporation or Rank Xerox, Ltd., be reproduced, copied or used for any purpose whatsoever, except the manufacture of articles for Xerox Corporation or Rank Xerox, Ltd.

Title

ASSEMBLY, PRINTED WIRING-
ARITHMETIC LOGIC UNIT

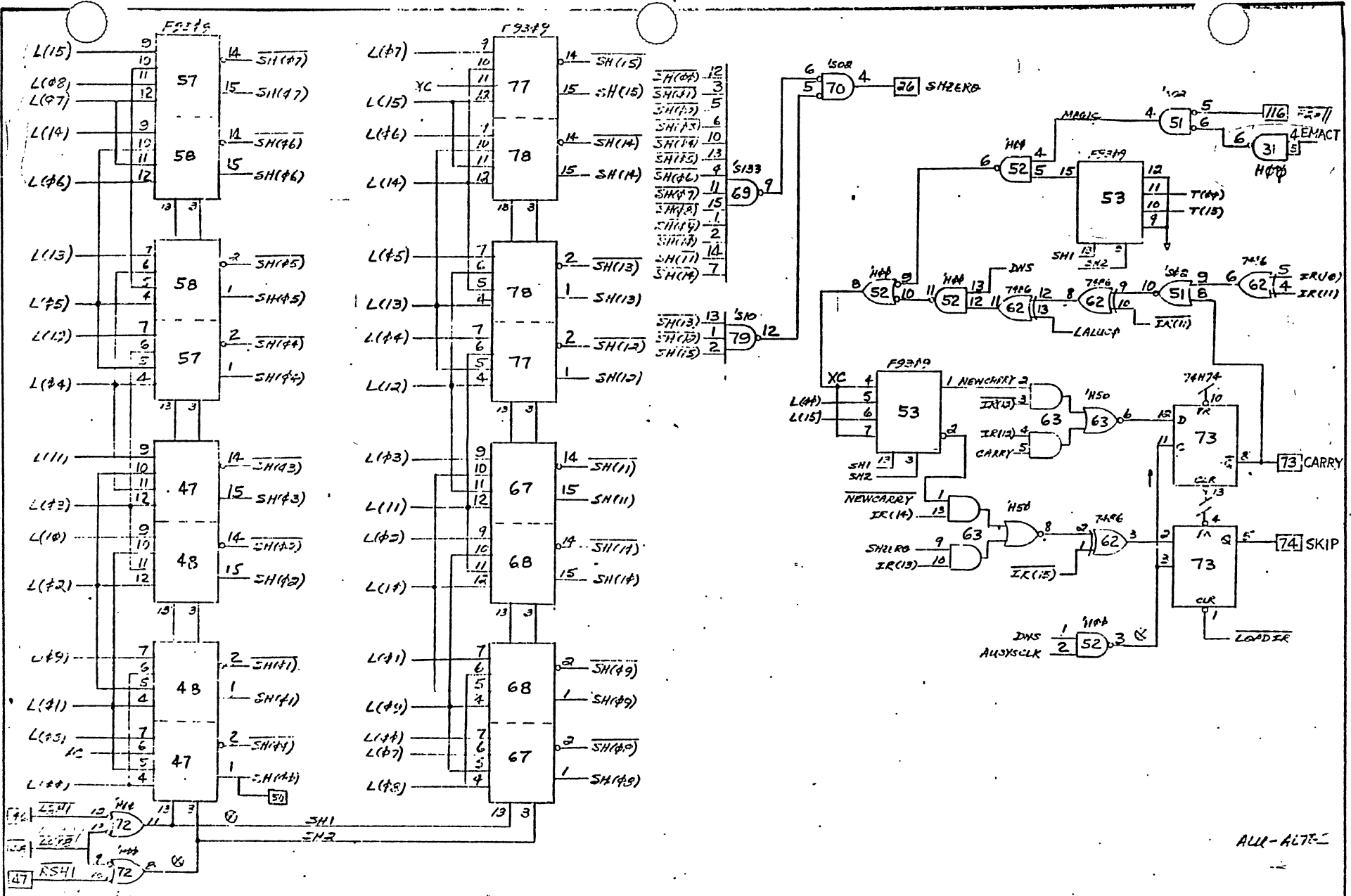
Xerox Corporation
El Segundo, California

XEROX

216381

D

Sheet 8 Of



These drawings and specifications, and the data contained therein, are the exclusive property of Xerox Corporation and/or Rank Xerox, Ltd. issued in strict confidence and shall not, without the prior written permission of Xerox Corporation or Rank Xerox, Ltd., be reproduced, copied or used for any purpose whatsoever, except the manufacture of articles for Xerox Corporation or Rank Xerox, Ltd.

Title
**ASSEMBLY, PRINTED WIRING-
 ARITHMETIC LOGIC UNIT**

Xerox Corporation
 El Segundo, California

XEROX

216381

Sheet 2 of 9

D