

Revisions				216645	B
LAL	Rev.	Description	Chk	Date	Approved
	A	ENGRG RELEASE	<i>RF</i>	11-4-77	<i>R Freeman</i>
<b>X</b>	B	SH 6 ADDED PINOUTS, CHGD SIGNAL NAMES: BK(0) WAS BS(0), BK(1) WAS BS(1). NOTE 2 ADDED WIRES 51 & 52.	<i>BN</i>	11-22 77	<i>R Freeman</i>

**ENGINEERING  
RELEASE**

THIS DOCUMENT CONTAINS 15 SHEETS

Dist Code SPG

These drawings and specifications, and the data contained therein, are the exclusive property of Xerox Corporation and/or Rank Xerox, Ltd. issued in strict confidence and shall not, without the prior written permission of Xerox Corporation or Rank Xerox, Ltd., be reproduced, copied or used for any purpose whatsoever, except the manufacture of articles for Xerox Corporation or Rank Xerox, Ltd.

Notes Unless Specified

1. Tolerances  
.XX ±.03      Angular  
.XXX ±.010    ±½°
2. Break All Sharp Edges  
.010 Approx.
3. Mach. Surfaces
4. All Dim. in Inches

Drawn *M. M. M. 8-12-77*

Check

Appr. *R Freeman 11-4-77*

Material

Xerox Corporation  
El Segundo, California

**XEROX**

Title

ASSEMBLY, PRINTED WIRING-  
MEMORY ADDRESS INTERFACE  
(EXTENDED MEMORY)

Model No. **ALTO II** Finish

First Use

Next Assy. First Use **216647**

Code Ident.

**18338**

Size

**A**

Dwg. No.

216645

Change Letter

**B**

Scale -

Do Not Scale Drawing

Sheet

1 OF

NOTES: UNLESS OTHERWISE SPECIFIED

1. MAKE FROM ASSY, P.W.-MEMORY ADDRESS INTERFACE, P/N 216347 REVISION G.
2. THE FOLLOWING MODIFICATIONS ARE REQUIRED TO CONVERT ALTO II AIM MODULE, P/N 216347 REV. G, FOR 128K EXTENDED MEMORY APPLICATION:

- |     |                  |        |     |                                   |
|-----|------------------|--------|-----|-----------------------------------|
| 1)  | CUT ETCH BETWEEN | A7-11  | AND | A9 -3. (COMP. SIDE)               |
| 2)  |                  | A9-2   |     | A22-5. (ETCH SIDE)                |
| 3)  |                  | A9-1   |     | FEEDTHRU. (ETCH SIDE)             |
| 4)  |                  | A26-13 |     | FEEDTHRU. (COMP. SIDE)            |
| 5)  |                  | A26-10 |     | A23-12. (COMP. SIDE)              |
| 6)  |                  | A26-6  |     | FEEDTHRU. (ETCH SIDE)             |
| 7)  |                  | A26-3  |     | A23-7. (COMP. SIDE)               |
| 8)  |                  | A25-13 |     | A23-5. (COMP. SIDE)               |
| 9)  |                  | A25-10 |     | FEEDTHRU. (ETCH SIDE)             |
| 10) |                  | A38-6  |     | A39-5. (COMP. SIDE)               |
| 11) |                  | A38-5  |     | A34-12. (COMP. SIDE)              |
| 12) |                  | A38-4  |     | FEEDTHRU. (COMP. SIDE)            |
| 13) |                  | A12-1  |     | FEEDTHRU UNDER A52. (COMP. SIDE)  |
| 14) |                  | A12-2  |     | A31-13. (COMP. SIDE)              |
| 15) |                  | A33-2  |     | FEEDTHRU. (ETCH SIDE)             |
| 16) |                  | A38-12 |     | FEEDTHRU NEAR A22-9. (COMP. SIDE) |
| 17) |                  | A38-13 |     | FEEDTHRU. (ETCH SIDE)             |
| 18) | CUT ETCH BETWEEN | A46-10 | AND | A59-9. (ETCH SIDE)                |
| 19) |                  |        |     |                                   |
| 20) |                  |        |     |                                   |
| 21) | ADD WIRE FROM    | PIN 20 | TO  | A15-14.                           |
| 22) |                  | PIN 21 |     | A15-13.                           |
| 23) |                  | A15-12 |     | A9-3.                             |
| 24) |                  | A7-11  |     | A9-1                              |
| 25) |                  | A15-9  |     | A22-9.                            |
| 26) |                  | A9-2   |     | A15-15.                           |
| 27) |                  | A22-5  |     | A25-6.                            |
| 28) |                  | A22-7  |     | A25-10.                           |
| 29) |                  | A23-2  |     | A25-13.                           |
| 30) |                  | A23-5  |     | A26-3.                            |
| 31) |                  | A23-7  |     | A26-6.                            |
| 32) |                  | A23-10 |     | A26-10.                           |
| 33) |                  | A23-12 |     | A26-13.                           |
| 34) |                  | A23-15 |     | A25-5.                            |
| 35) |                  | A25-7  |     | A39-1.                            |
| 36) |                  | A38-5  |     | A41-13.                           |
| 37) |                  | A41-12 |     | A34-13.                           |
| 38) |                  | A41-11 |     | A34-4.                            |
| 39) |                  | A12-1  |     | A12-2.                            |
| 40) |                  | A12-2  |     | A38-6.                            |
| 41) |                  | A38-11 |     | A38-4.                            |
| 42) |                  | A38-12 |     | A50-8.                            |
| 43) |                  | A38-13 |     | A31-13.                           |
| 44) |                  | A15-1  |     | A22-1.                            |
| 45) |                  | A33-2  |     | A46-11.                           |
| 46) |                  | A46-13 |     | PIN 99.                           |
| 47) | ADD WIRE FROM    | A46-12 | TO  | PIN 63.                           |

These drawings and specifications, and the data contained therein, are the exclusive property of Xerox Corporation and/or Rank Xerox, Ltd. issued in strict confidence and shall not, without the prior written permission of Xerox Corporation or Rank Xerox, Ltd., be reproduced, copied or used for any purpose whatsoever, except the manufacture of articles for Xerox Corporation or Rank Xerox, Ltd.

Title  
 ASSY, PRINTED WIRING-  
 MEMORY ADDRESS INTFC  
 (EXTENDED MEMORY)

Xerox Corporation  
 El Segundo, California

**XEROX**

216645

B

Sheet 2 Of

NOTE 2 CONT'D

- 48) ADD WIRE FROM PIN 24 TO A30-4.
- 49) ADD WIRE FROM A59-8 TO A30-5.
- 50) ADD WIRE FROM A46-10 TO A30-6.
- 51) ~~ADD WIRE FROM A15-12 TO~~ PIN 11.
- 52) ADD WIRE FROM A15-15 TO PIN 12.
- 53)
- 54) INSTALL MICROCIRCUIT 74174 (ITEM 2) IN LOCATION A15.

3 RUBBER STAMP "ASSY 216645" .12 HIGH, WHITE CHARACTERS.

4 RUBBER STAMP "EXTN MEM." .12 HIGH, WHITE CHARACTERS.

These drawings and specifications, and the data contained therein, are the exclusive property of Xerox Corporation and/or Rank Xerox, Ltd. issued in strict confidence and shall not, without the prior written permission of Xerox Corporation or Rank Xerox, Ltd., be reproduced, copied or used for any purpose whatsoever, except the manufacture of articles for Xerox Corporation or Rank Xerox, Ltd.

Title  
 ASSY, PRINTED WIRING-  
 MEMORY ADDRESS INTFC  
 (EXTENDED MEMORY)

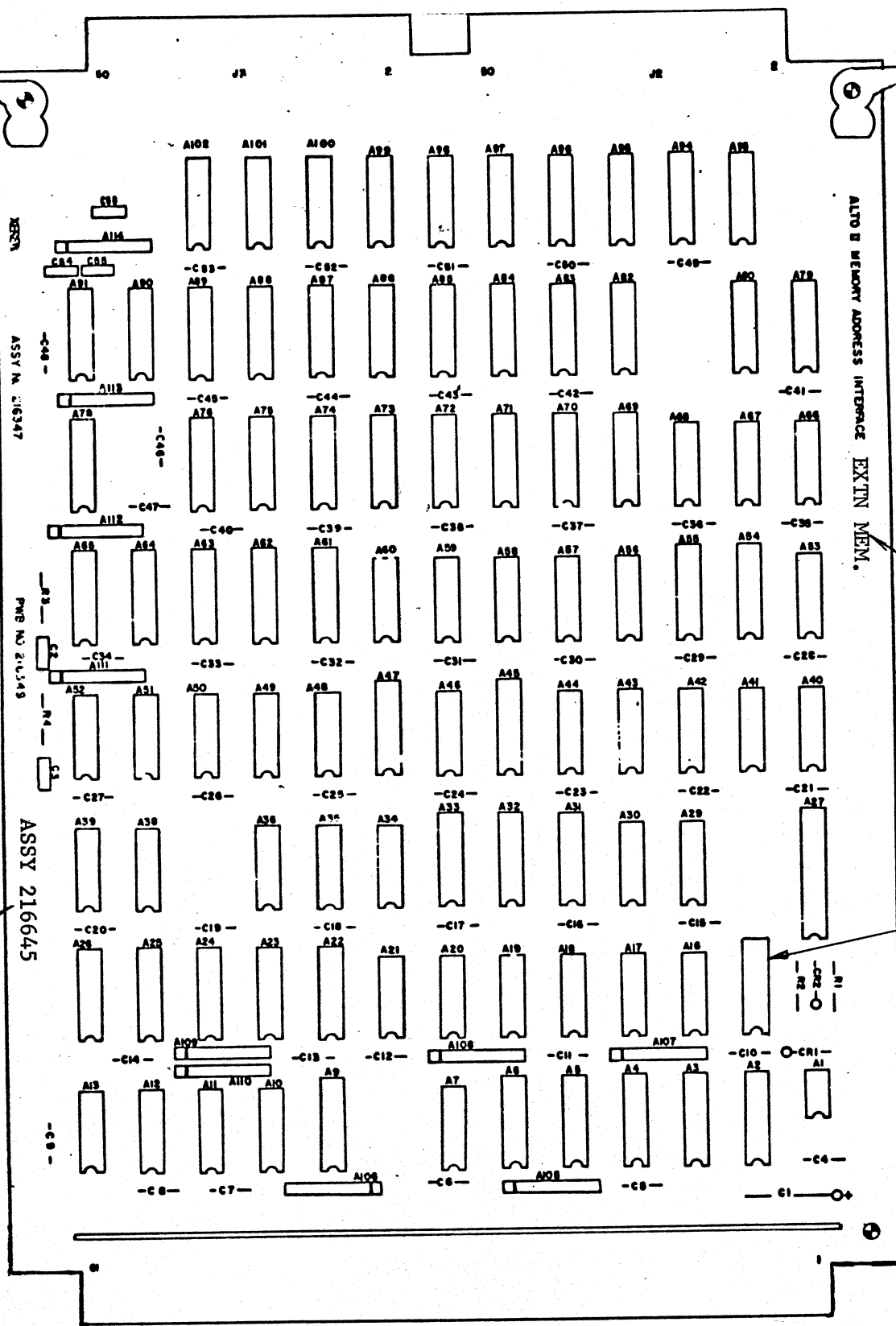
Xerox Corporation  
 El Segundo, California

**XEROX**

216645

B

Sheet 3 Of



3

4

(EXTN MEM.)

1

2

3

These drawings and specifications, and the data contained therein, are the exclusive property of Xerox Corporation and/or Rank Xerox, Ltd. issued in strict confidence and shall not, without the prior written permission of Xerox Corporation or Rank Xerox, Ltd., be reproduced, copied or used for any purpose whatsoever, except the manufacture of articles for Xerox Corporation or Rank Xerox, Ltd.

Title  
**ASSEMBLY, PRINTED WIRING-**  
**MEMORY ADDRESS INTERFACE**  
 (EXTENDED MEMORY)

Xerox Corporation  
 El Segundo, California

**XEROX**

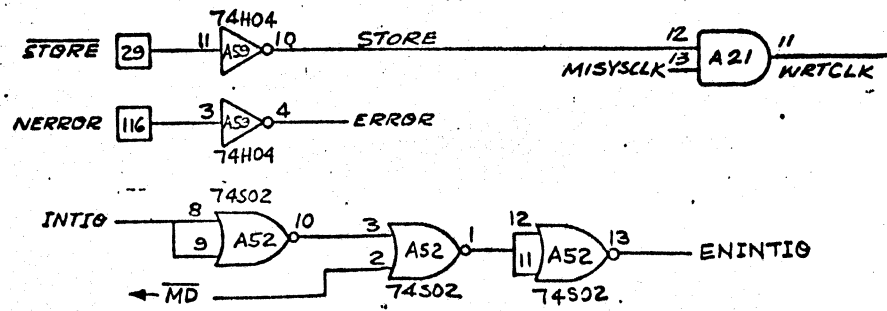
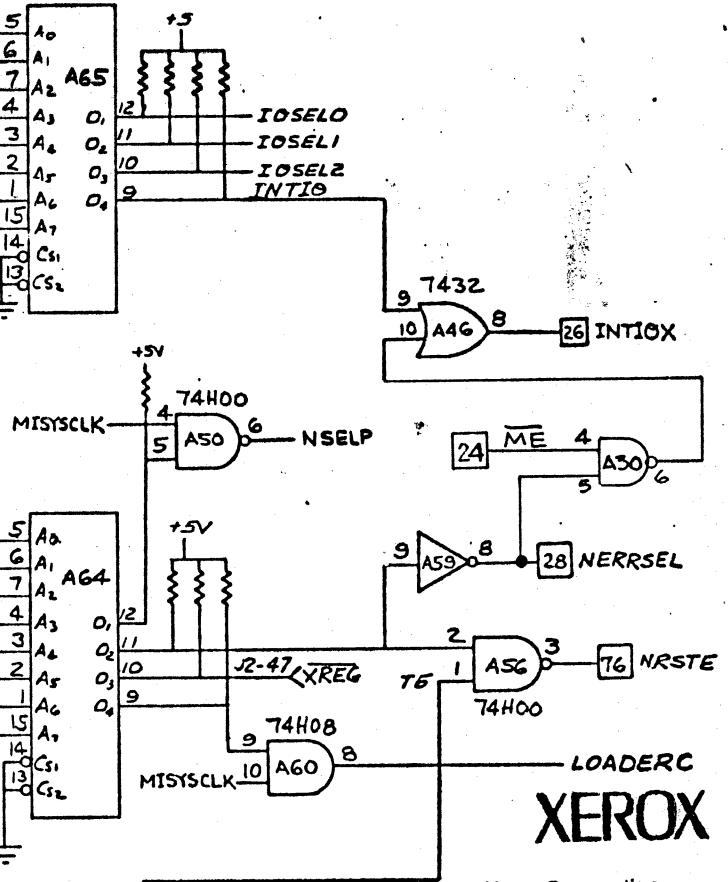
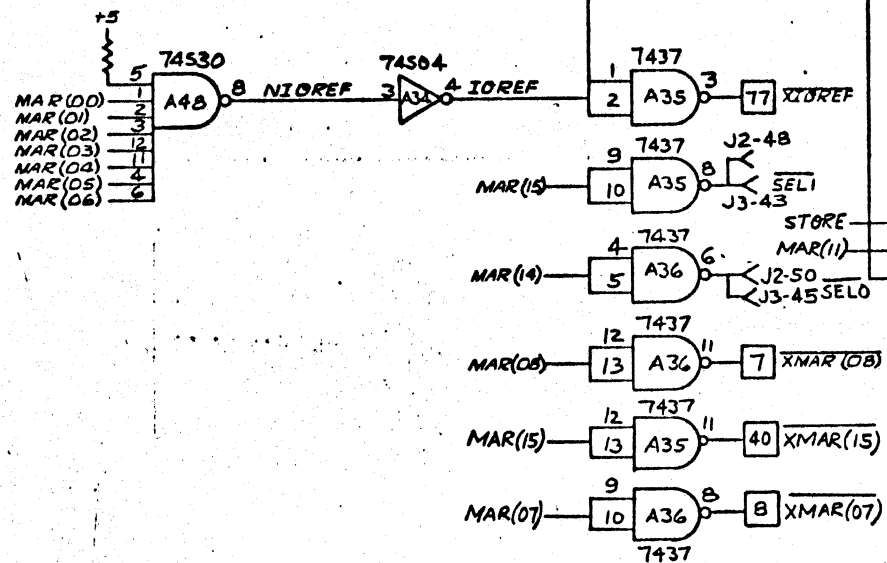
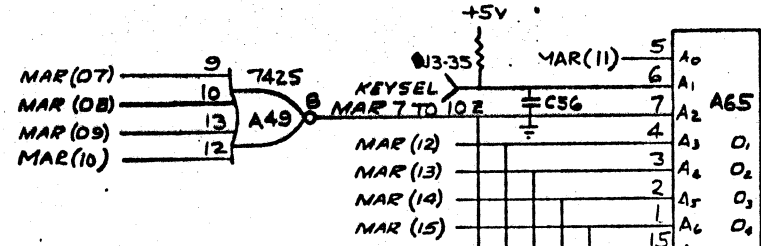
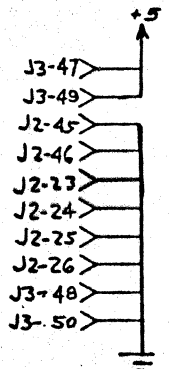
216645

B

Sheet 4 Of





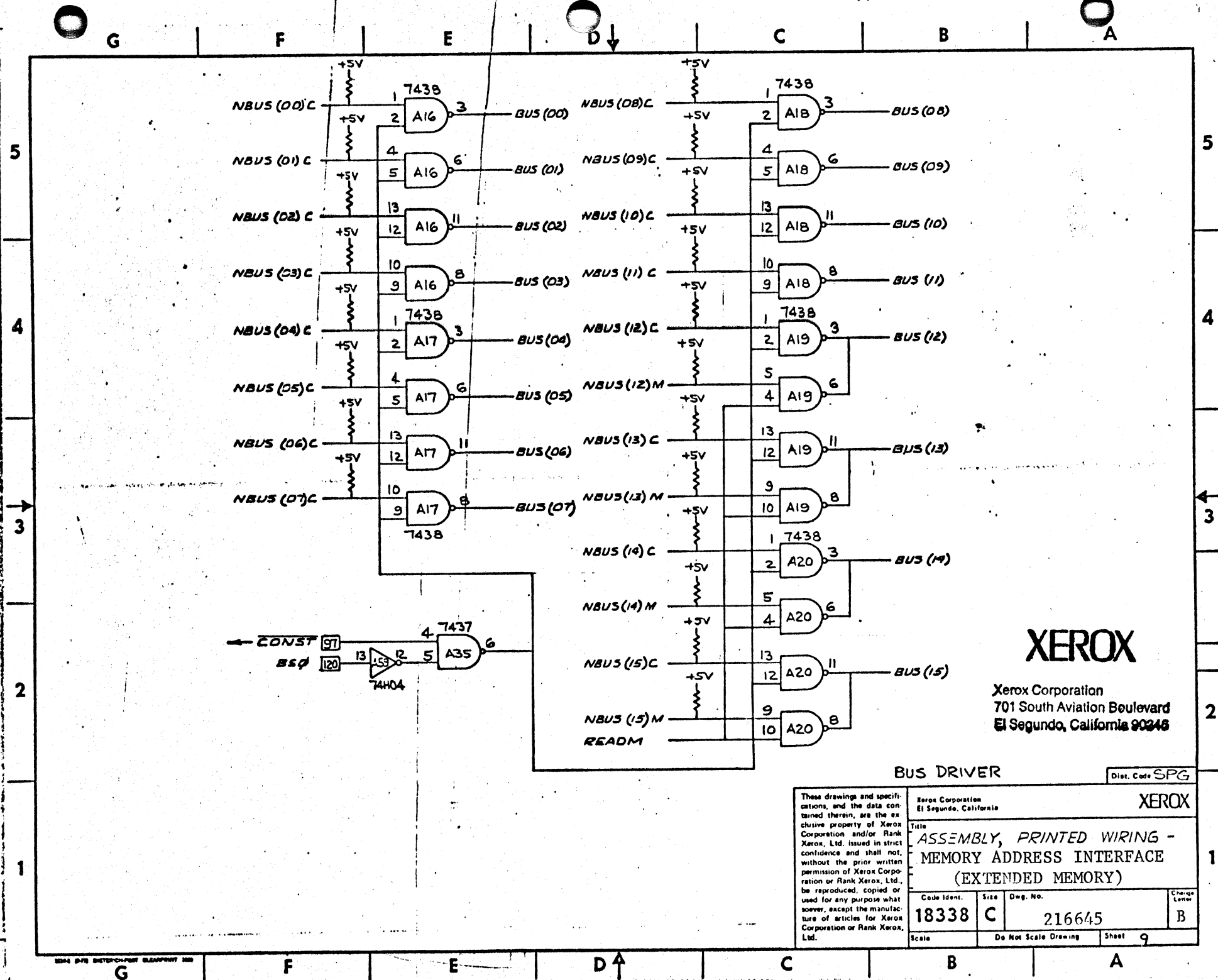


XEROX  
Xerox Corporation  
701 South Aviation Boulevard  
El Segundo, California 90245  
Dist. Code SPG

I/O ADDRESS DECODE			
These drawings and specifications, and the data contained therein, are the exclusive property of Xerox Corporation and/or Rank Xerox, Ltd. issued in strict confidence and shall not, without the prior written permission of Xerox Corporation or Rank Xerox, Ltd., be reproduced, copied or used for any purpose whatsoever, except the manufacture of articles for Xerox Corporation or Rank Xerox, Ltd.		Xerox Corporation El Segundo, California	
<b>XEROX</b>			
Title <b>ASSEMBLY, PRINTED WIRING - MEMORY ADDRESS INTERFACE (EXTENDED MEMORY)</b>			
Code Ident. <b>18338</b>	Size <b>C</b>	Dwg. No. <b>216645</b>	Change Letter <b>B</b>
Scale	Do Not Scale Drawing		Sheet <b>7</b>







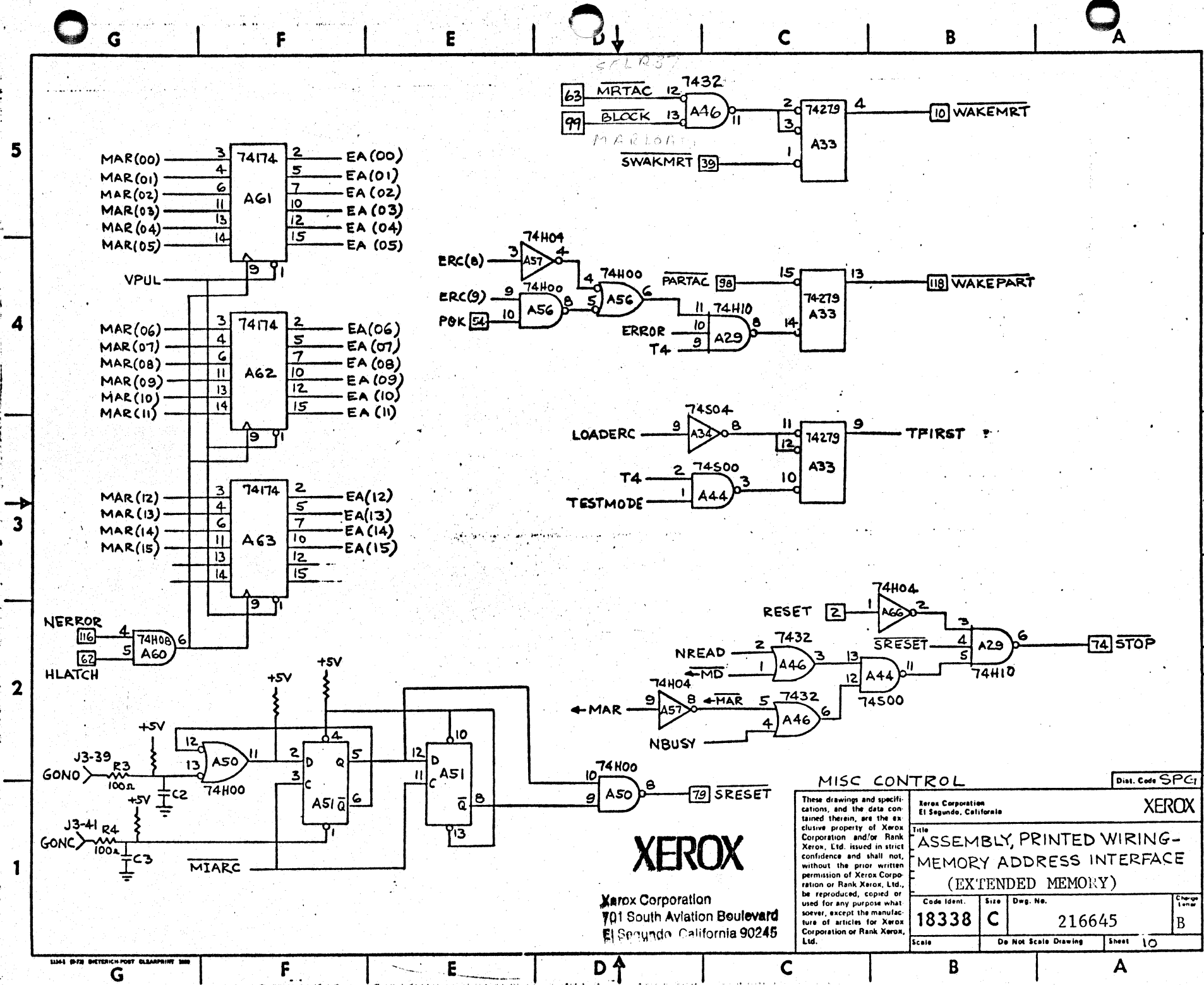
**XEROX**

Xerox Corporation  
701 South Aviation Boulevard  
El Segundo, California 90246

**BUS DRIVER**

Dist. Code SPG

These drawings and specifications, and the data contained therein, are the exclusive property of Xerox Corporation and/or Rank Xerox, Ltd. issued in strict confidence and shall not, without the prior written permission of Xerox Corporation or Rank Xerox, Ltd., be reproduced, copied or used for any purpose whatsoever, except the manufacture of articles for Xerox Corporation or Rank Xerox, Ltd.		Xerox Corporation El Segundo, California		<b>XEROX</b>	
Title <b>ASSEMBLY, PRINTED WIRING - MEMORY ADDRESS INTERFACE (EXTENDED MEMORY)</b>					
Code Ident.	Size	Dwg. No.	Change Letter		
<b>18338</b>	<b>C</b>	<b>216645</b>	<b>B</b>		
Scale		Do Not Scale Drawing		Sheet <b>9</b>	

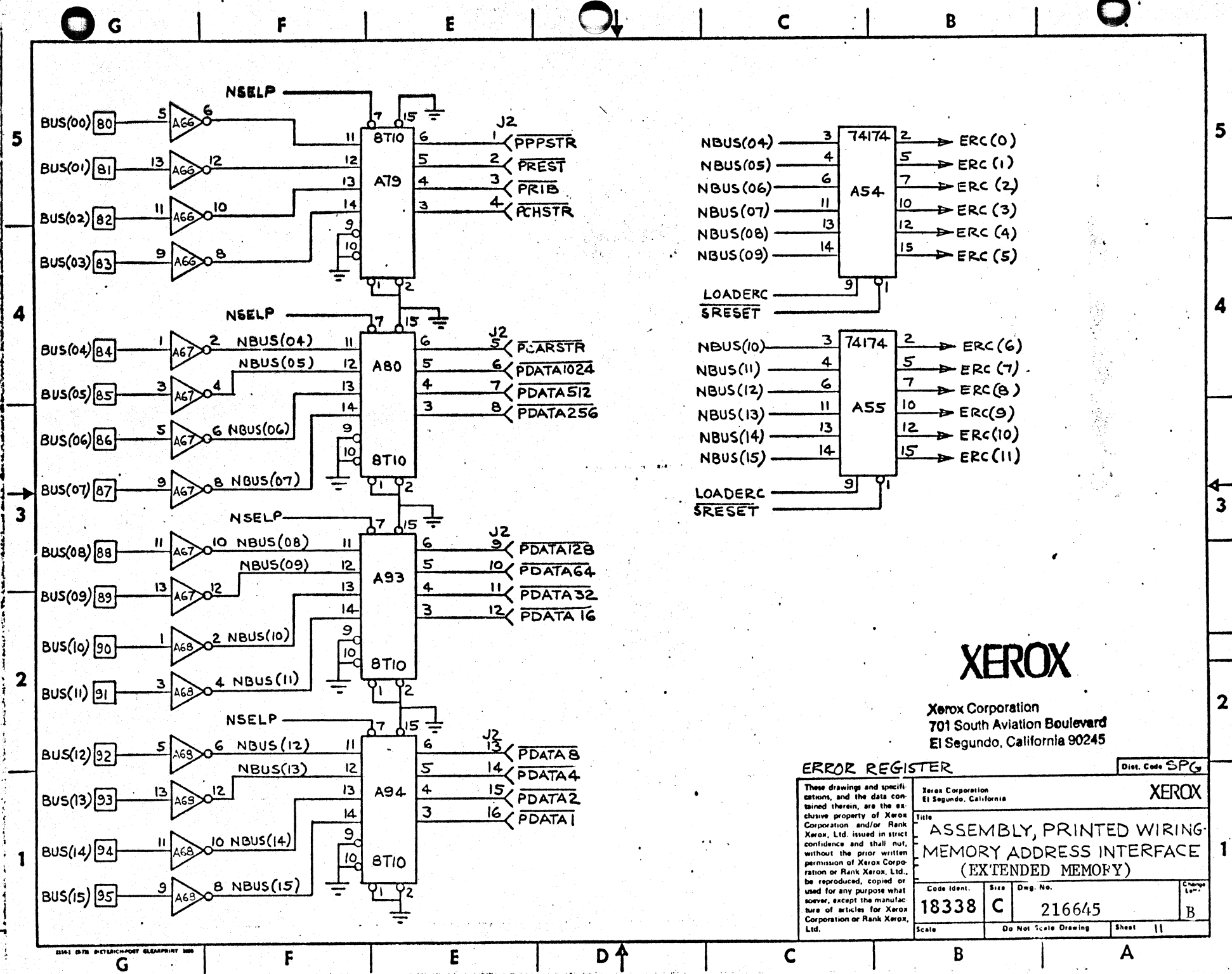


**XEROX**

Xerox Corporation  
 701 South Aviation Boulevard  
 El Segundo, California 90245

**MISC CONTROL**

These drawings and specifications, and the data contained therein, are the exclusive property of Xerox Corporation and/or Rank Xerox, Ltd. issued in strict confidence and shall not, without the prior written permission of Xerox Corporation or Rank Xerox, Ltd., be reproduced, copied or used for any purpose whatsoever, except the manufacture of articles for Xerox Corporation or Rank Xerox, Ltd.		Xerox Corporation El Segundo, California		<b>XEROX</b>	
Title <b>ASSEMBLY, PRINTED WIRING-MEMORY ADDRESS INTERFACE (EXTENDED MEMORY)</b>					
Code Ident.	Size	Dwg. No.	Chg. Form		
18338	C	216645	B		
Scale	Do Not Scale Drawing		Sheet 10		



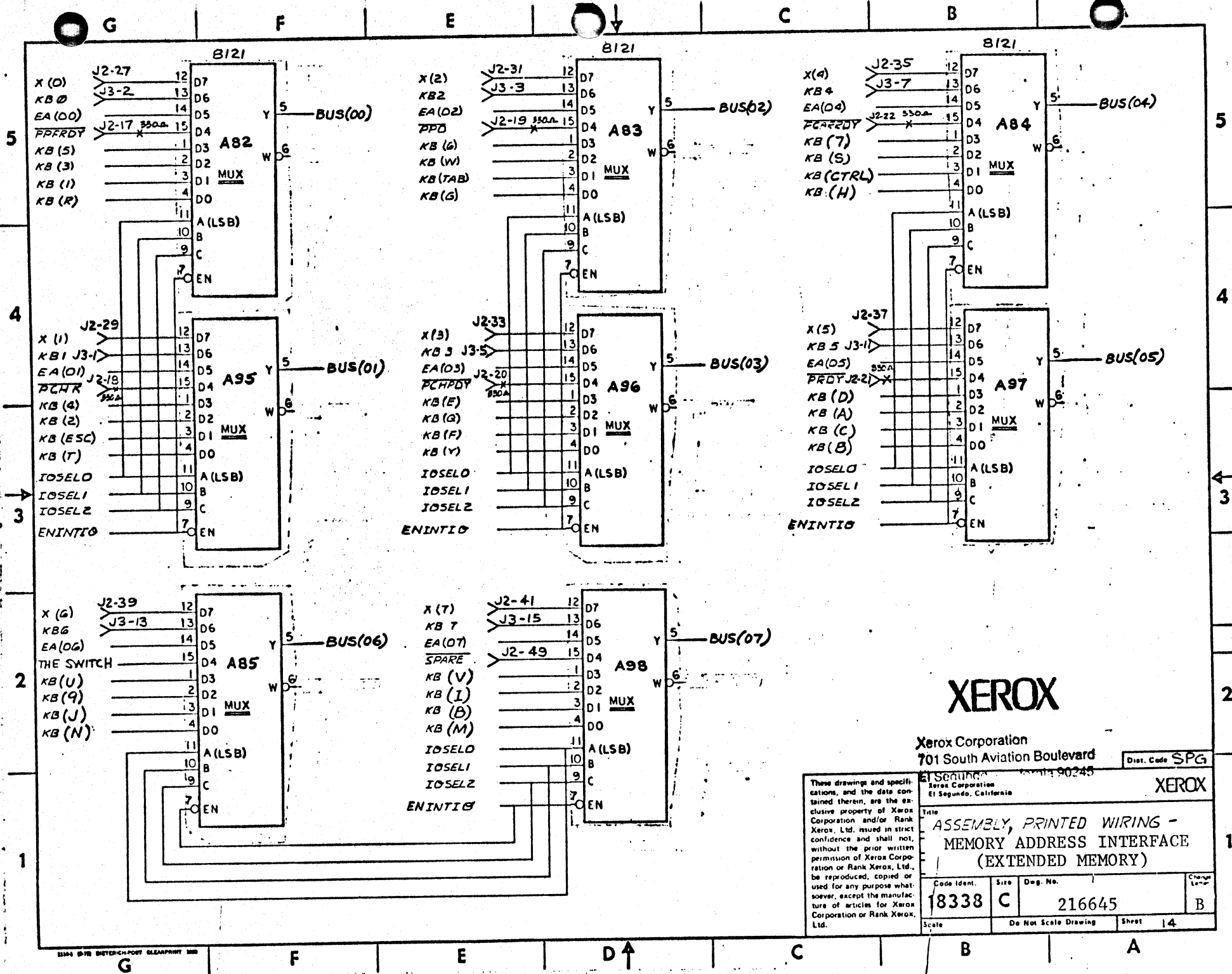
**XEROX**

Xerox Corporation  
701 South Aviation Boulevard  
El Segundo, California 90245

ERROR REGISTER				Dist. Code SPG
These drawings and specifications, and the data contained therein, are the exclusive property of Xerox Corporation and/or Rank Xerox, Ltd. issued in strict confidence and shall not, without the prior written permission of Xerox Corporation or Rank Xerox, Ltd., be reproduced, copied or used for any purpose whatsoever, except the manufacture of articles for Xerox Corporation or Rank Xerox, Ltd.		Xerox Corporation El Segundo, California		XEROX
Title <b>ASSEMBLY, PRINTED WIRING-MEMORY ADDRESS INTERFACE (EXTENDED MEMORY)</b>				
Code Ident.	Size	Dwg. No.	Change Level	
18338	C	216645	B	
Scale	Do Not Scale Drawing		Sheet	11







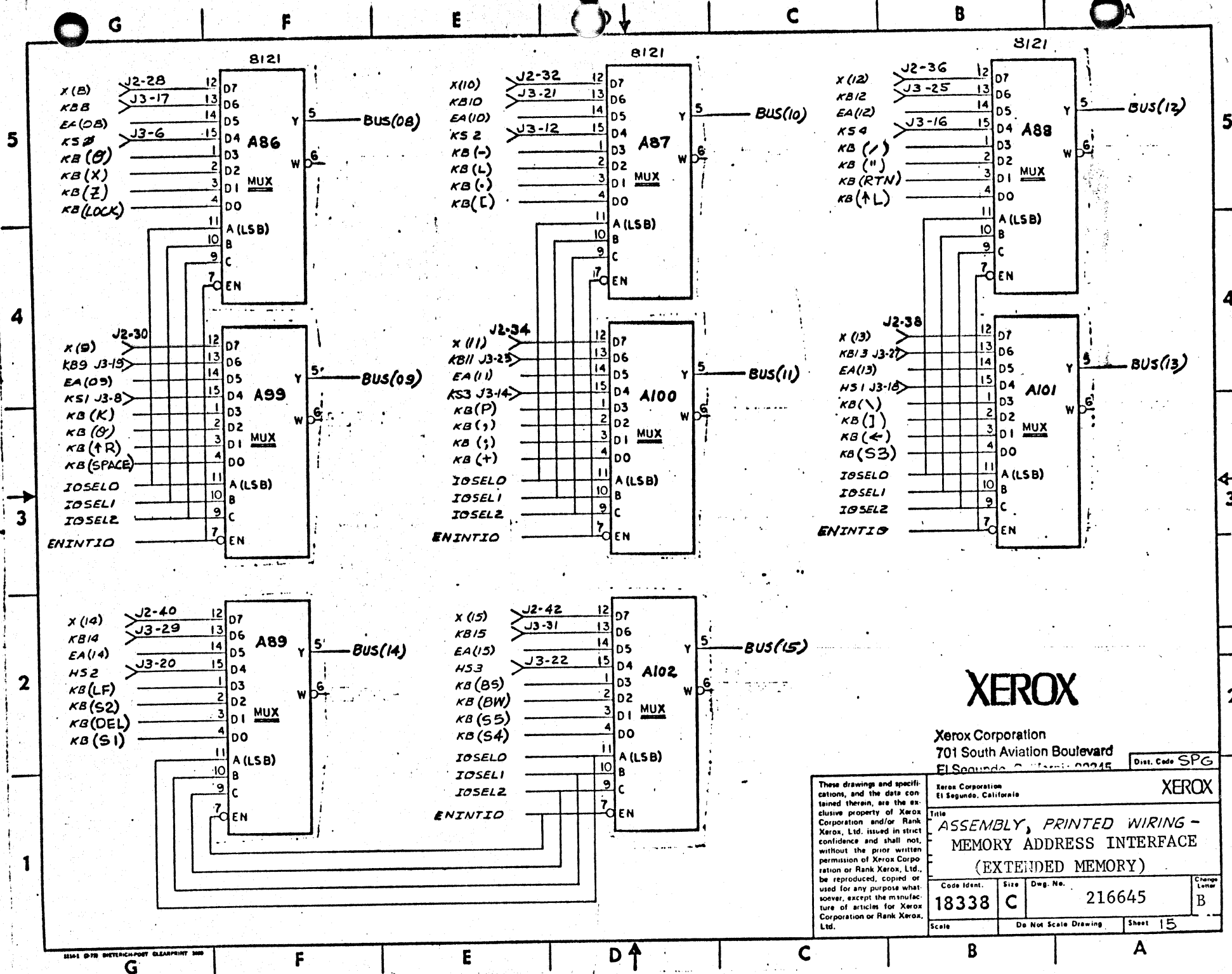
# XEROX

Xerox Corporation  
701 South Aviation Boulevard

Dist. Code SPG

These drawings and specifications, and the data contained therein, are the exclusive property of Xerox Corporation and/or Rank Xerox, Ltd. issued in strict confidence and shall not, without the prior written permission of Xerox Corporation or Rank Xerox, Ltd., be reproduced, copied or used for any purpose whatsoever, except the manufacture of articles for Xerox Corporation or Rank Xerox, Ltd.

Title		ASSEMBLY, PRINTED WIRING - MEMORY ADDRESS INTERFACE (EXTENDED MEMORY)	
Code Ident.	Size	Des. No.	Change Letter
18338	C	216645	B
Scale		Do Not Scale Drawing	
		Sheet	14



# XEROX

Xerox Corporation  
 701 South Aviation Boulevard  
 El Segundo, California 90245

These drawings and specifications, and the data contained therein, are the exclusive property of Xerox Corporation and/or Rank Xerox, Ltd. issued in strict confidence and shall not, without the prior written permission of Xerox Corporation or Rank Xerox, Ltd., be reproduced, copied or used for any purpose whatsoever, except the manufacture of articles for Xerox Corporation or Rank Xerox, Ltd.	Xerox Corporation El Segundo, California		XEROX	
	Title <b>ASSEMBLY, PRINTED WIRING - MEMORY ADDRESS INTERFACE (EXTENDED MEMORY)</b>			
	Code Ident.	Size	Des. No.	Change Letter
	18338	C	216645	B
Scale		Do Not Scale Drawing		Sheet 15