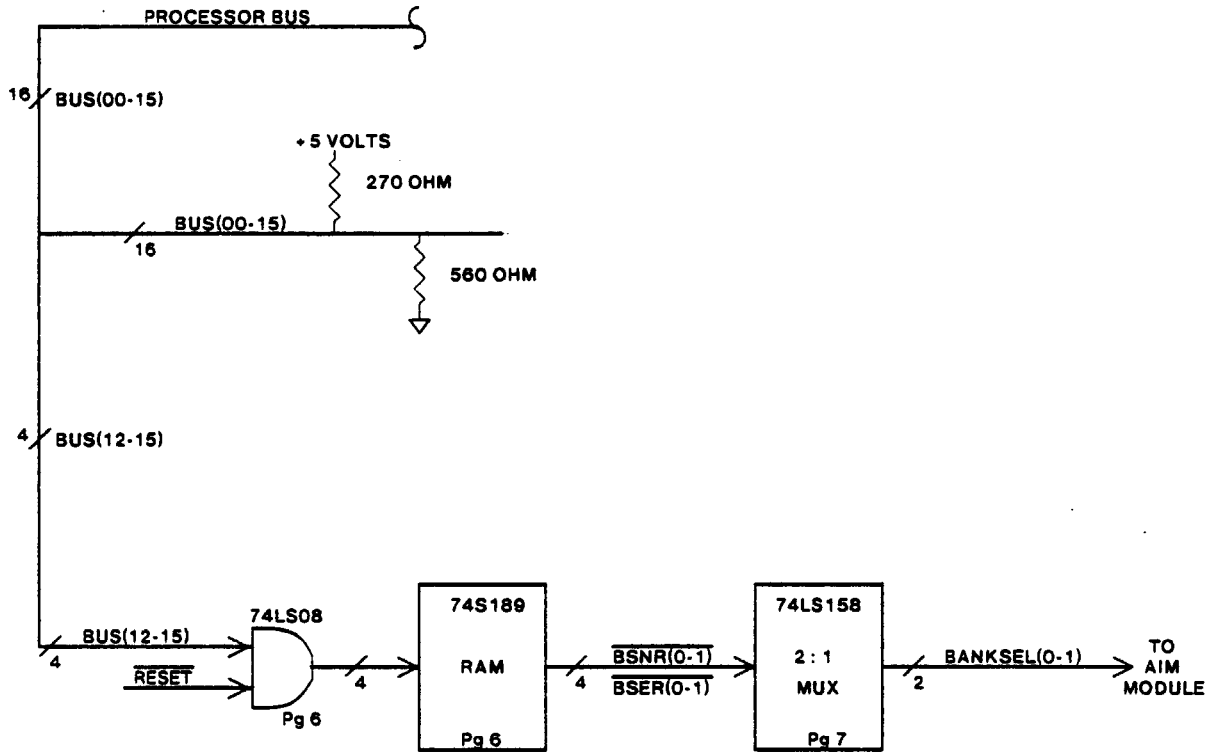
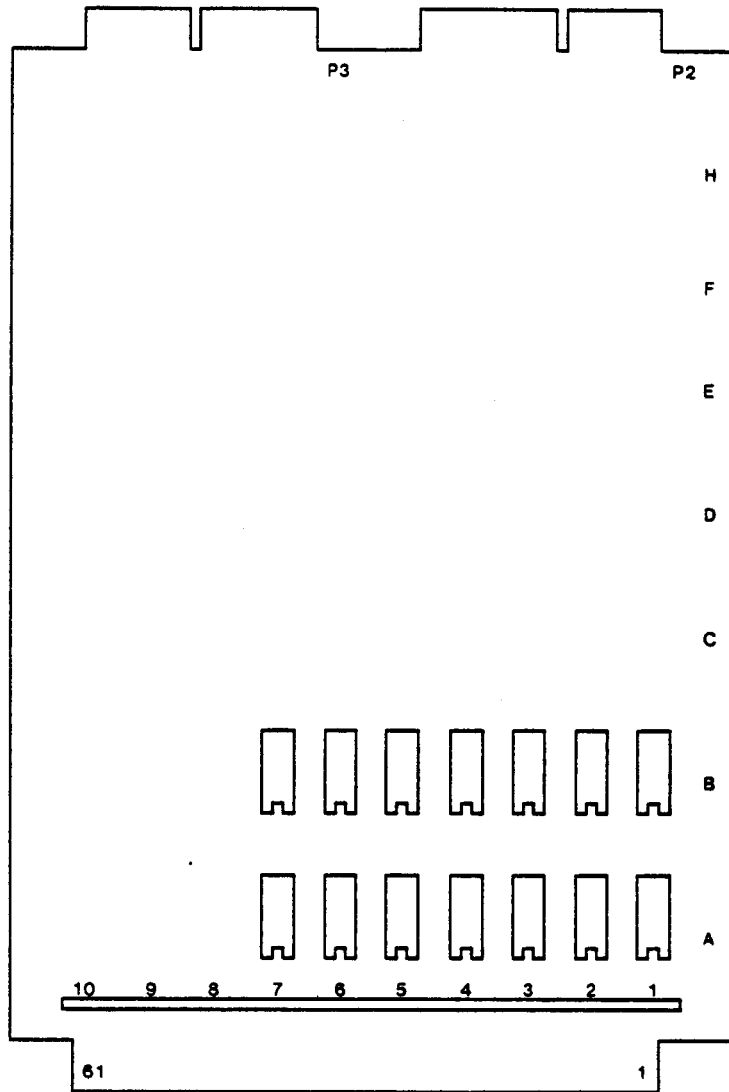


MEMORY EXTENSION AND TERMINATOR MODULE
(MEAT)





contained therein, are the exclusive property of Xerox Corporation and or Rank Xerox, Ltd. issued in strict confidence and shall not, without the prior written permission of Xerox Corporation Rank Xerox, Ltd., be reproduced, copied or used for any purpose whatsoever, except the manufacture of articles for Xerox Corporation or Rank Xerox, Ltd.

**ASSY. PW.
MEMORY EXTENSION AND
TERMINATOR MODULE**

FILE: **MEAT.SIL-03**

El Segundo, California

XEROX

216646

C

Sheet

3

Of

7

NOTE: R2 IS 270 OHMS TO +5V; R1 IS 560 OHMS TO GROUND
 TYPICAL OF ALL BUS(00) - BUS(15) LINES

