

DICENTRA SCHEMATICS

Maintenance Panel

Table of contents

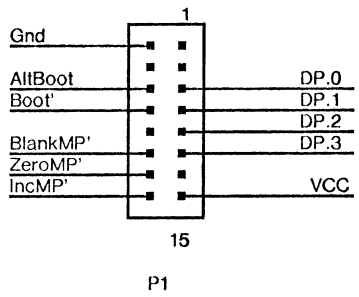
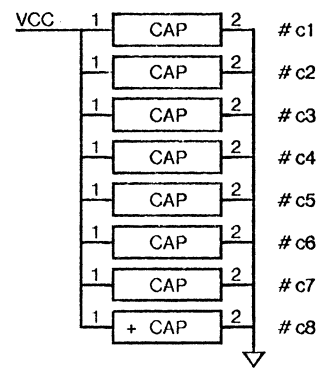
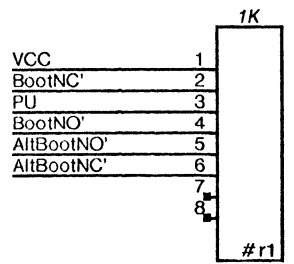
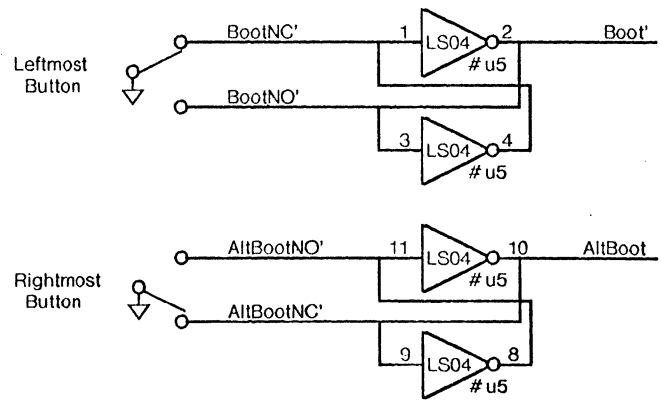
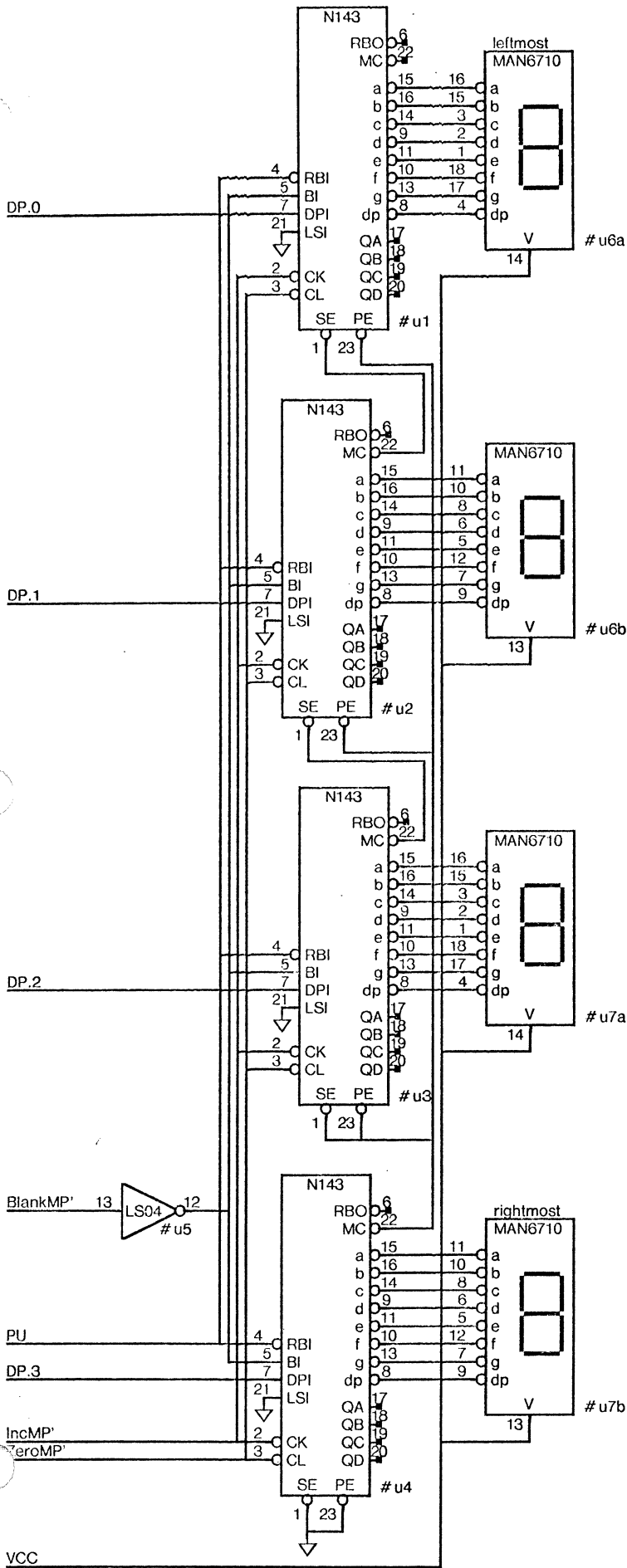
<u>TITLE</u>	<u>PAGE</u>
Maintenance Panel _____	1
MP-CP Cable _____	2
Parts List _____	3
Fabrication Drawing _____	4
Assembly Drawing _____	5

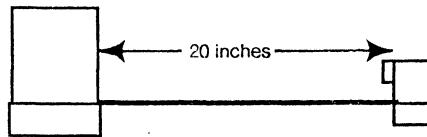
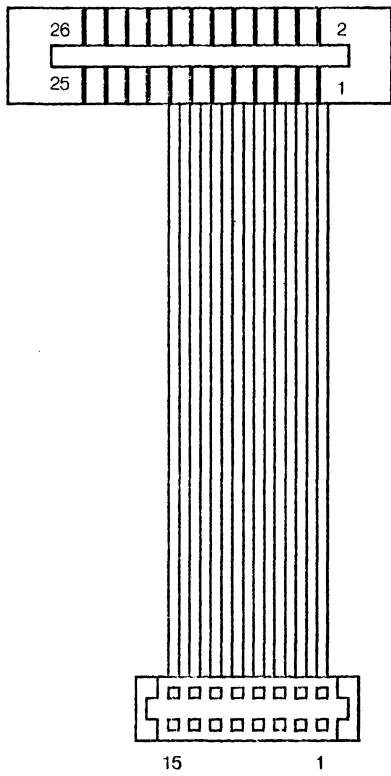
These drawings use the following [SIL] User.cm parameters:

- 0: Helvetica10
- 1: Helvetica7
- 2: Template64
- 3: Gates32
- 5: Dicentra.lb5
- 6: Dicentra.lb6
- 7: Dicentra.lb7
- 8: Dicentra.lb8
- A: Dicentra.Analyze
- Y: 712

All files are kept on [Indigo]<Dicentra>

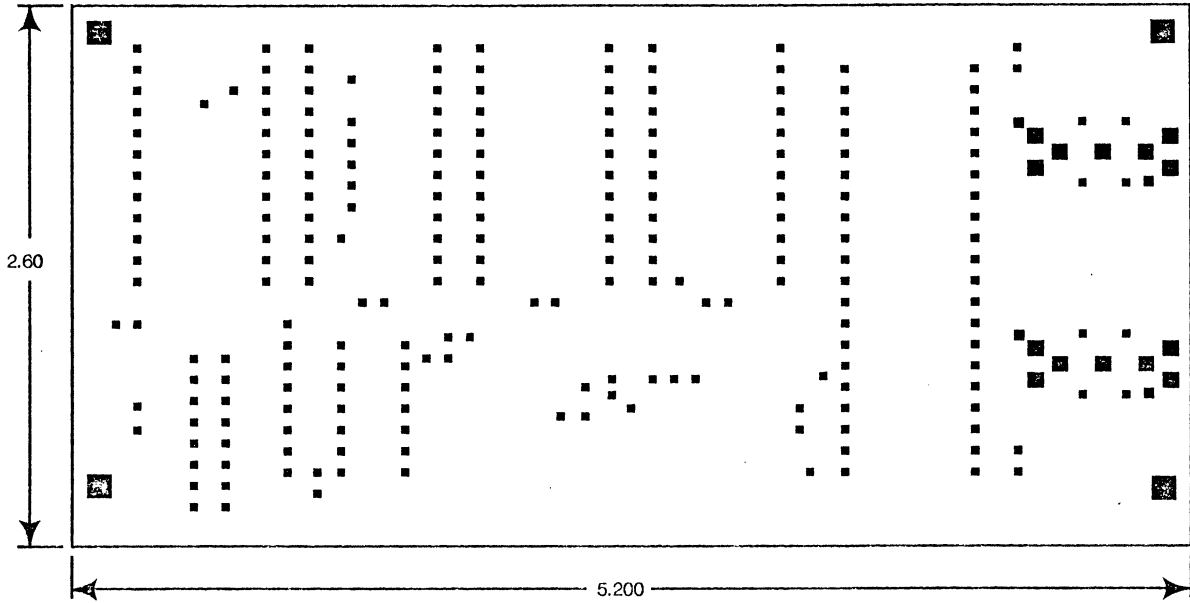
XEROX PARC	<i>Project</i> Dicentra	<i>Reference</i> Title Page	<i>File</i> DMP-Rev-B.sil	<i>Designer</i> Hal Murray	<i>Rev</i> B	<i>Date</i> 12/05/84	<i>Page</i> 0
---------------	----------------------------	--------------------------------	------------------------------	-------------------------------	-----------------	-------------------------	------------------





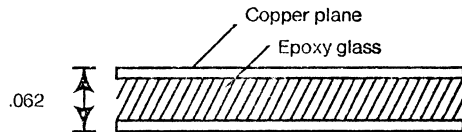
Signal Name	Edge Connector	Flex-con Connector
IncMP'	15	15
ZeroMP'	13	13
BlankMP'	11	11
Boot'	7	7
AltBoot	5	5
DP.3	12	12
DP.2	10	10
DP.1	8	8
DP.0	6	6
VCC	1	1
GND	16	16





Component side



NOTES

All dimensions are in inches; drawing is not to scale.
 X.XXX is $\pm .005$; X.XX is $\pm .010$.
 Except as noted, this printed board shall be made
 in accordance with IPC-D-320.
 Acceptability of the finished board will be judged
 in accordance with IPC-A-600.
 Base Laminate: 1 oz Cu on FR4
 in accordance with IPC-L-130.
 Solder mask: green epoxy
 in accordance with IPC-SM-840.
 Silk screen: white epoxy.



HOLE SIZES			
Symbol	Number	Size	Plated
	4	.125	No
	14	.075	Yes
	4	.050	Yes
	225	.031	Yes

Component side

