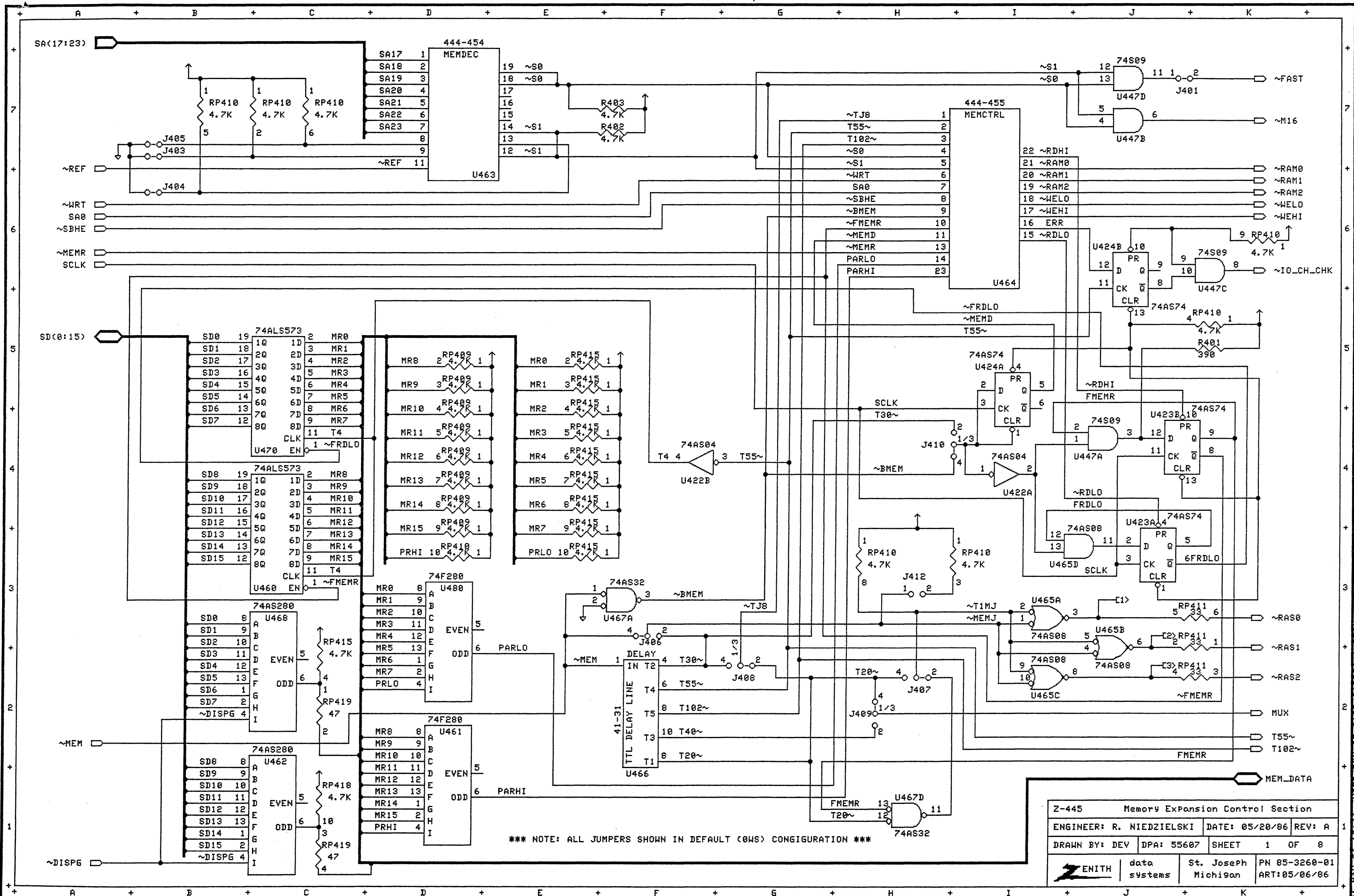


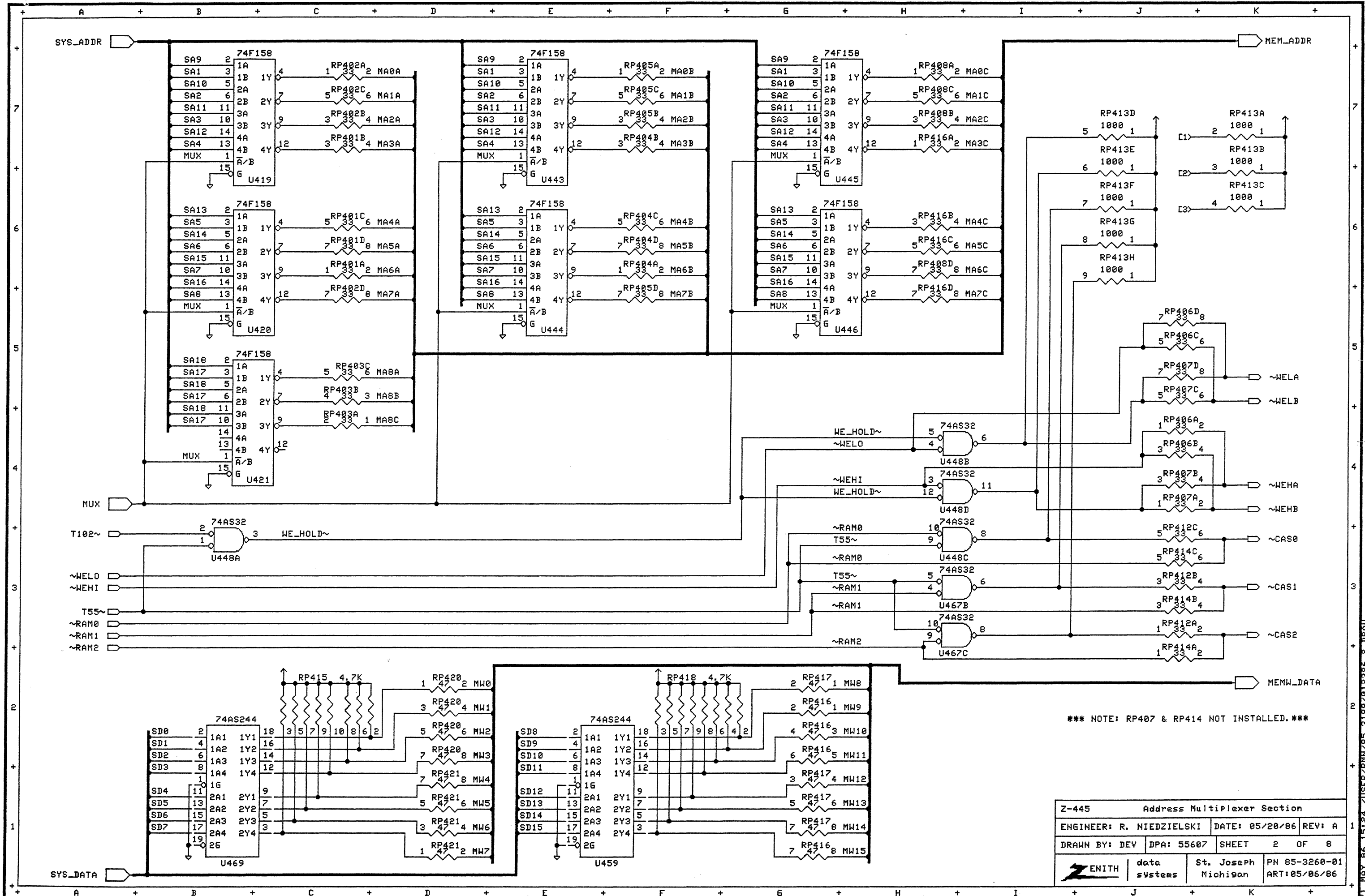
# Z445 MEMORY EXPANSION



\*\*\* NOTE: ALL JUMPERS SHOWN IN DEFAULT (0WS) CONFIGURATION \*\*\*

Z-445 Memory Expansion Control Section			
ENGINEER: R. NIEDZIELSKI	DATE: 05/20/86	REV: A	
DRAWN BY: DEV	DPA: 55607	SHEET 1 OF 8	
ZENITH	data systems	St. Joseph Michigan	PN 85-3260-01 ART:05/06/86

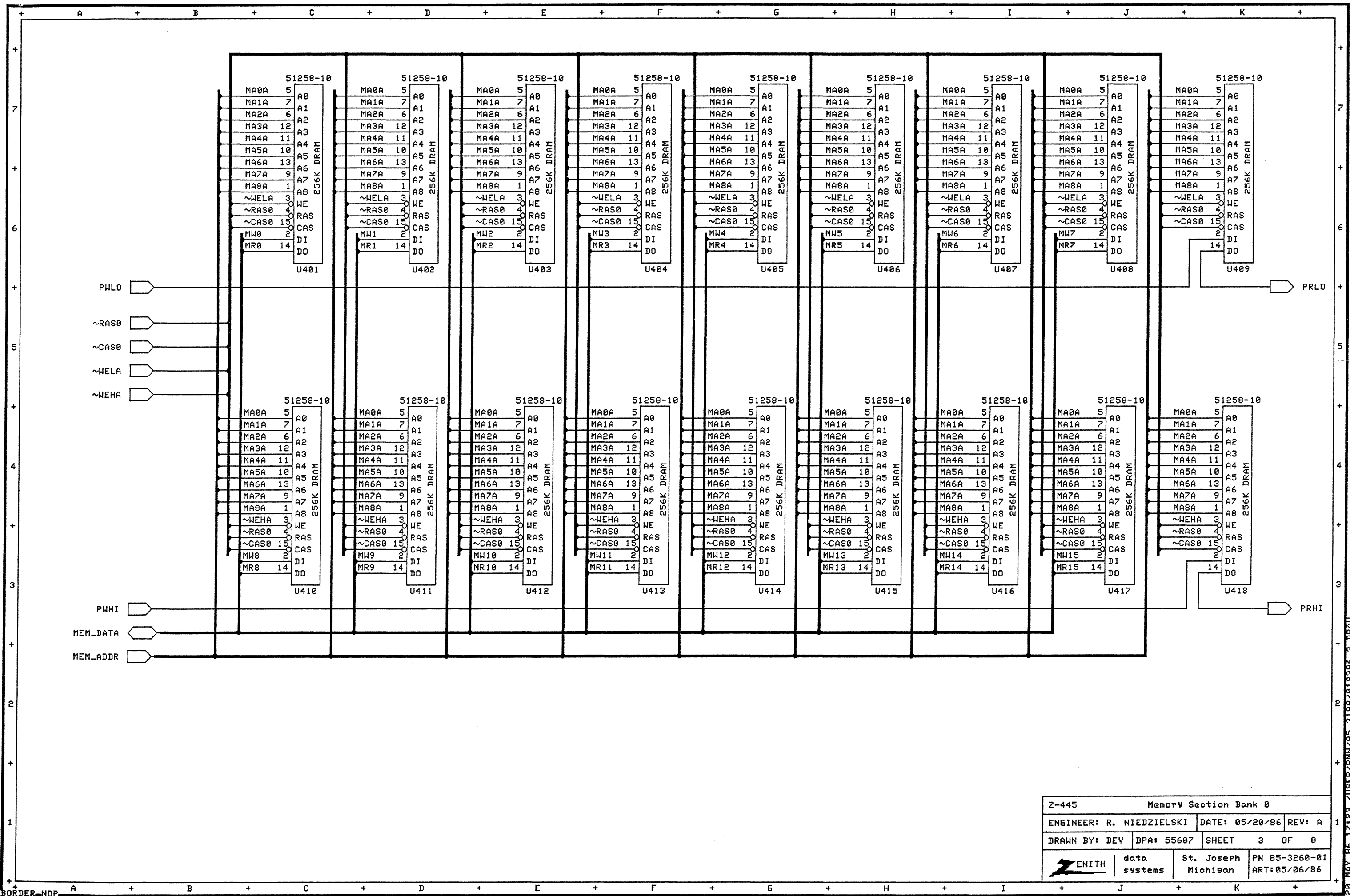
21 MAY 86 12:41 70SER7RNN/85-3182/012386 1.DRAW



\*\*\* NOTE: RP407 & RP414 NOT INSTALLED.\*\*\*

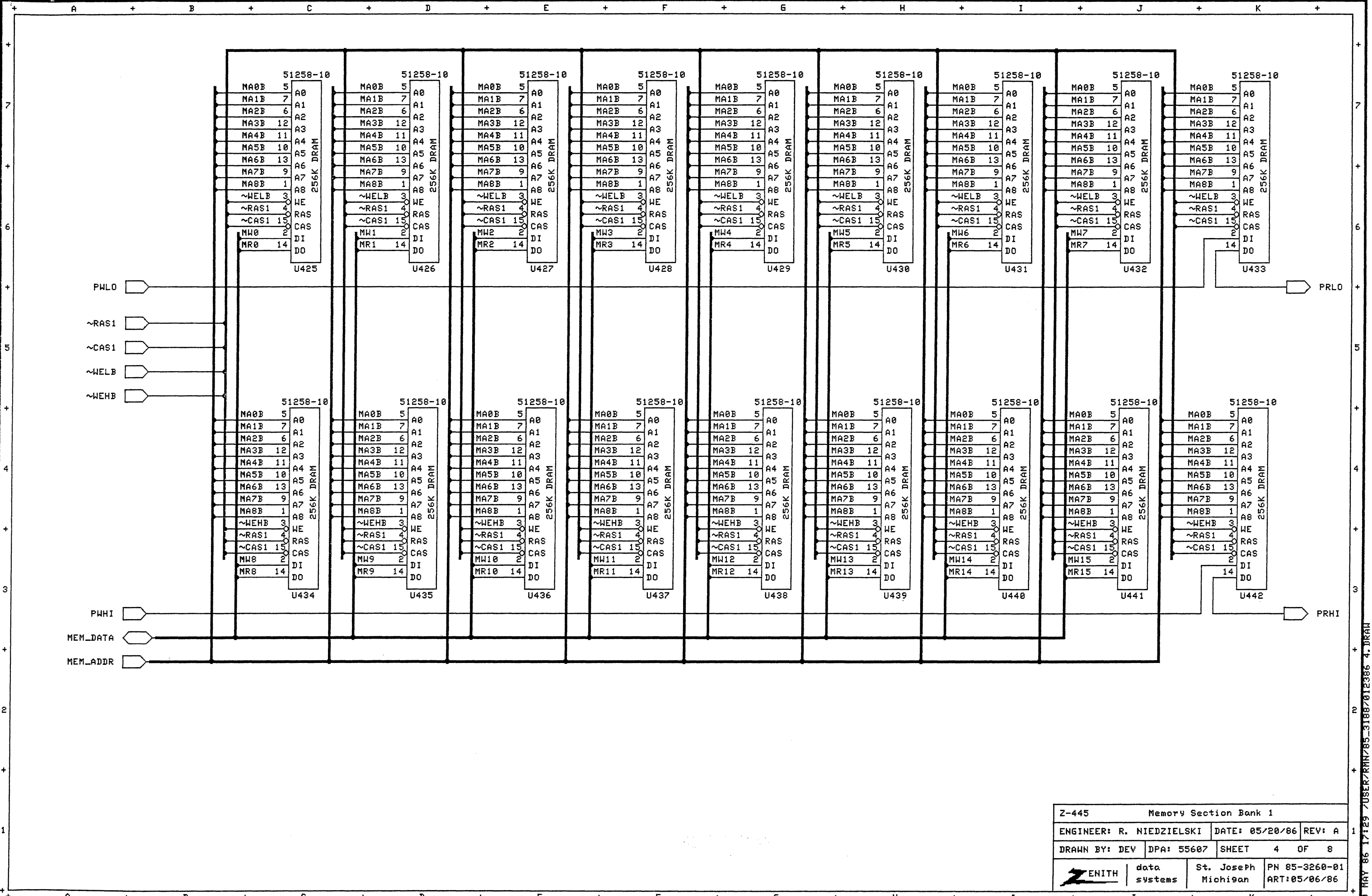
Z-445 Address Multiplexer Section		
ENGINEER: R. NIEDZIELSKI	DATE: 05/20/86	REV: A
DRAWN BY: DEV	DPA: 55607	SHEET 2 OF 8
<b>ZENITH</b> data systems	St. Joseph Michigian	PN 85-3260-01 ART:05/06/86

21 MAY 86 15:24 7USER/RWN/85-3188/012386 E.DRAM



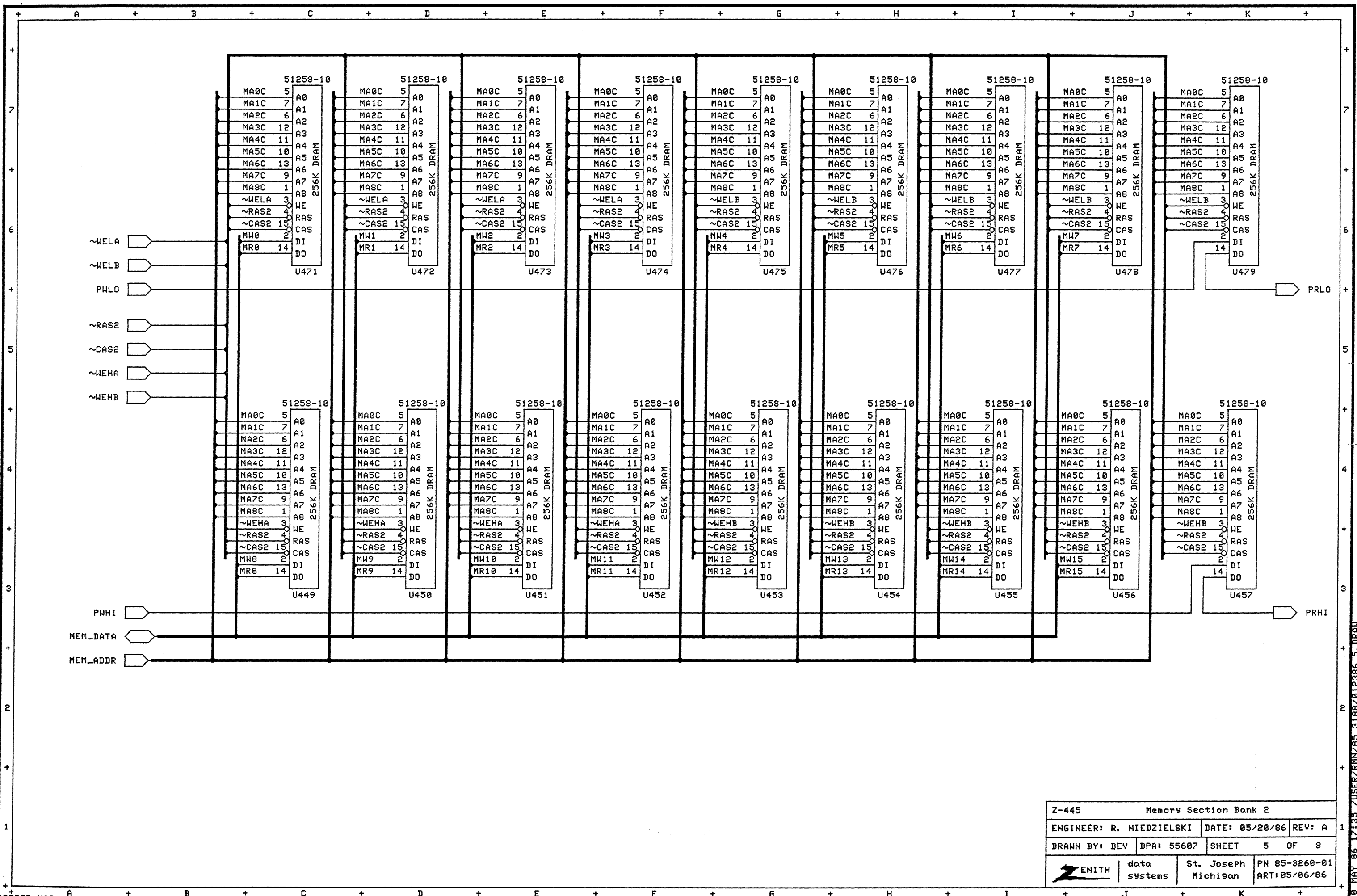
Z-445 Memory Section Bank 0			
ENGINEER: R. NIEDZIELSKI	DATE: 05/20/86	REV: A	
DRAWN BY: DEV	DPA: 55607	SHEET 3	OF 8
ZENITH	data systems	St. Joseph Michigan	PN 85-3260-01 ART: 05/06/86

20 MAY 86 17:23 USER/RNH/85-3188/01E386 3. DRAM



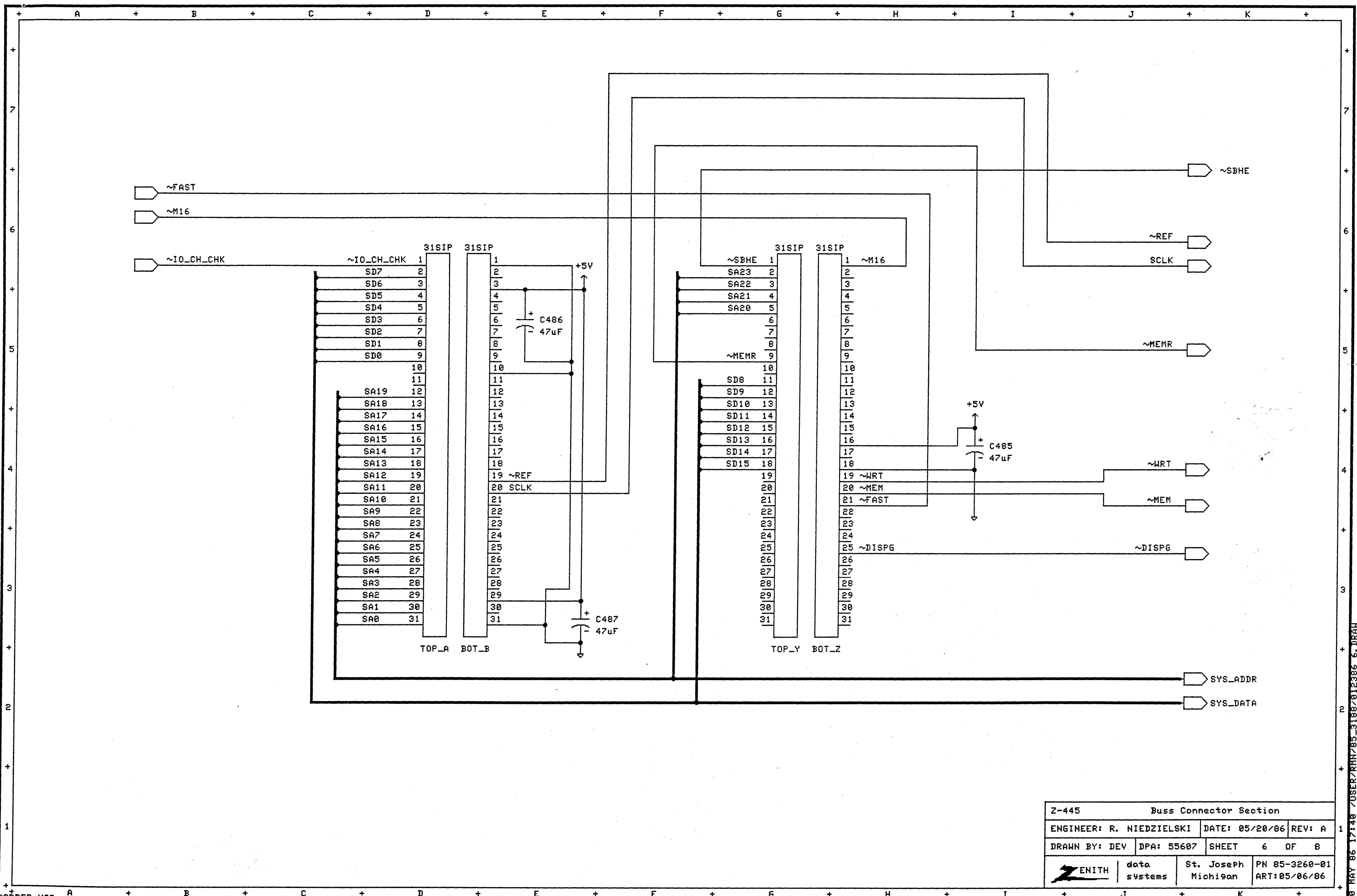
Z-445 Memory Section Bank 1			
ENGINEER: R. NIEDZIELSKI	DATE: 05/20/86	REV: A	
DRAWN BY: DEV	DPA: 55607	SHEET 4	OF 8
ZENITH data systems		St. Joseph Michigian	PN 85-3260-01 ART:05/06/86


20 MAY 86 17:29 USER:RMN/85\_3188/012386 4. DRAM



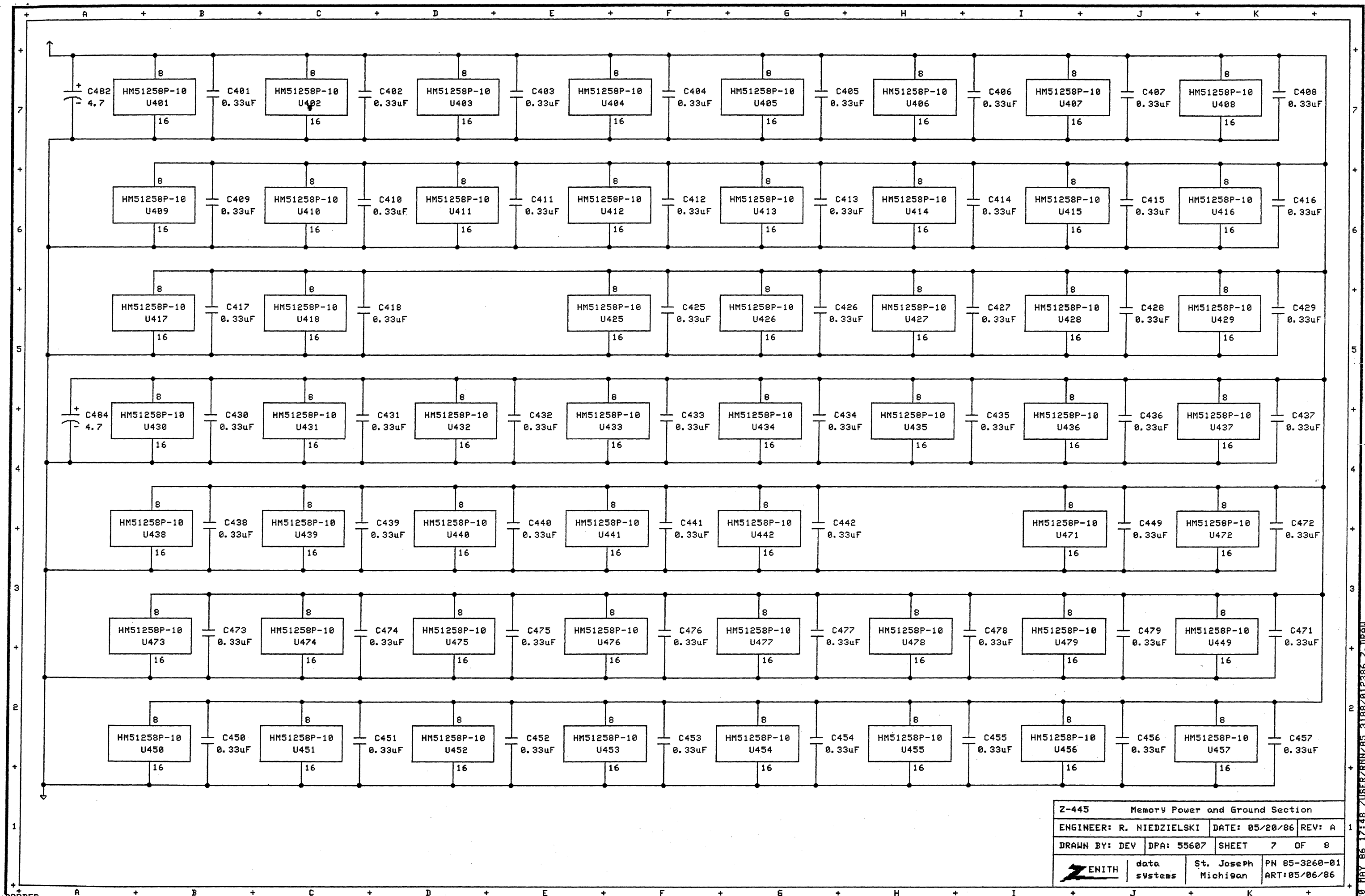
Z-445 Memory Section Bank 2			
ENGINEER: R. NIEDZIELSKI	DATE: 05/20/86	REV: A	
DRAWN BY: DEV	DPA: 55607	SHEET 5 OF 8	
data systems	St. Joseph Michigan	PN 85-3260-01	ART:05/06/86


20 MAY 86 17:35 USER/RIN/85-3188/012386 5-DRAM



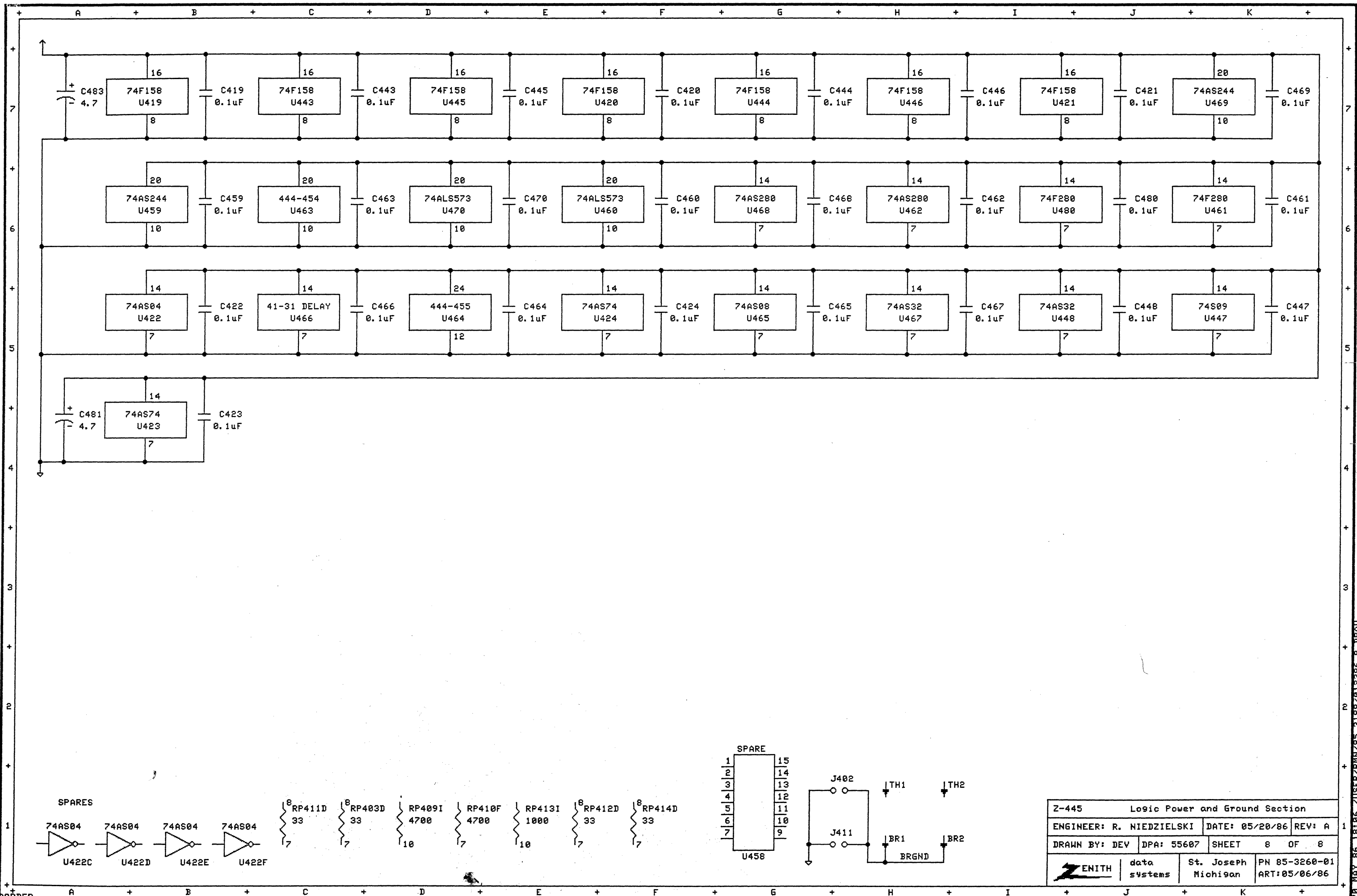
Z-445		Bus Connector Section	
ENGINEER: R. NIEDZIELSKI	DATE: 05/20/86	REV: A	
DRAWN BY: DEV	DPA: 55607	SHEET 6 OF 8	
 ZENITH	data systems	St. Joseph Michigan	PN 85-3260-01 ART:05/06/86

20 MAY 86 17:40 USER/RNN/85-3188/012386 G. DRAN



Z-445 Memory Power and Ground Section			
ENGINEER: R. NIEDZIELSKI	DATE: 05/20/86	REV: A	
DRAWN BY: DEV	DPA: 55607	SHEET 7 OF 8	
 ZENITH	data systems	St. Joseph Michigan	PN 85-3260-01 ART:05/06/86

20 MAY 86 17:48 TUSER/RNH/85-3188/012886 7.DRAW



Z-445 Logic Power and Ground Section		
ENGINEER: R. NIEDZIELSKI	DATE: 05/20/86	REV: A
DRAWN BY: DEV	DPA: 55607	SHEET 8 OF 8
<b>ZENITH</b> data systems	St. Joseph Michigon	PN 85-3260-01 ART:05/06/86

20 MAY 86 18:06 / USER:RWN/85-3188/012386 8-DRAW