

A4901A- HP Rack System/E, 33U, quartz color

A4901D- HP Rack System/E, 33U, graphite color

Technical Data

Save valuable floor space with the vertically extendible HP Rack System/E

Designed and built to the highest HP quality standards, the Rack System/E delivers leading edge protection in the simplest form. Ease of integration, installation, and use of characterizes this 33U rack that is comprised of:

- 63% Perforated, locking rear door (ordered as A5212AZ/ A5212DZ)
- Bolt-on front/back anti-tip feet
- Numbered columns
- Fully perforated top cap
- 3-inch urethane casters
- Leveling feet
- Side panels

Multiple racks may be tied together to create continuous data center rack space. Individual racks may be expanded an additional 8Us of vertical space.

Standards

Conforms to the Electronic Industries Association (EIA) standard 310-D. It is a Type A cabinet with 33U of vertical mounting space. One 'U' is equal to 44.45 mm (1.75 in).

Customer must order rear door, A5212AZ(quartz)

A5212DZ (graphite)

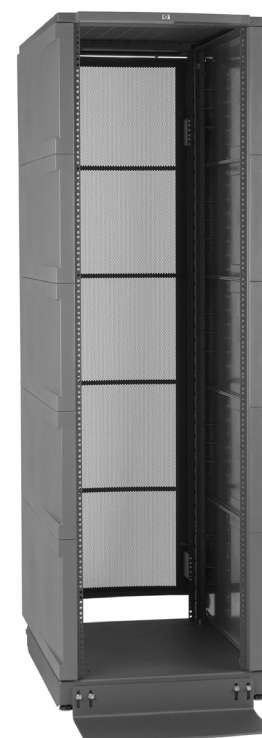
Features

- Ability to move and ship fully integrated racks
- Optimized ventilation with fully perforated top, and rear door
- Extendibility can add 8Us of vertical mounting space
- Easy, bolt-on (front and back) anti-tip feet
- Numbered 12-gauge steel columns for easy installation and secure racking of up to 907 kg (2000 lbs) of equipment
- Columns include threaded inserts (AVKs) at strategic locations for quick installation of common accessories such as the tie kit, front door and PDUs

Shipping/Setup

- Can fit through most doorways around the world
- Packaging designed for integrated rack shipment
- Self-tuning pallet adjusts for variable integrated rack weights
- Shipping pallet includes ramp for easy set-up

Product Number
A4901D



Tools required for setup:

- Torx T25 screwdriver
- Phillips #2 screwdriver
- 13mm Socket wrench

Warranty

One- year replacement

Specifications

Color (A4901A- quartz)

Columns and base: Slate gray

Top: Quartz gray

Side panels: Quartz gray

Rear door: Quartz gray

Color (A4901D- graphite)

Columns and base: Graphite metallic

Top: Graphite metallic

Side panels: Graphite

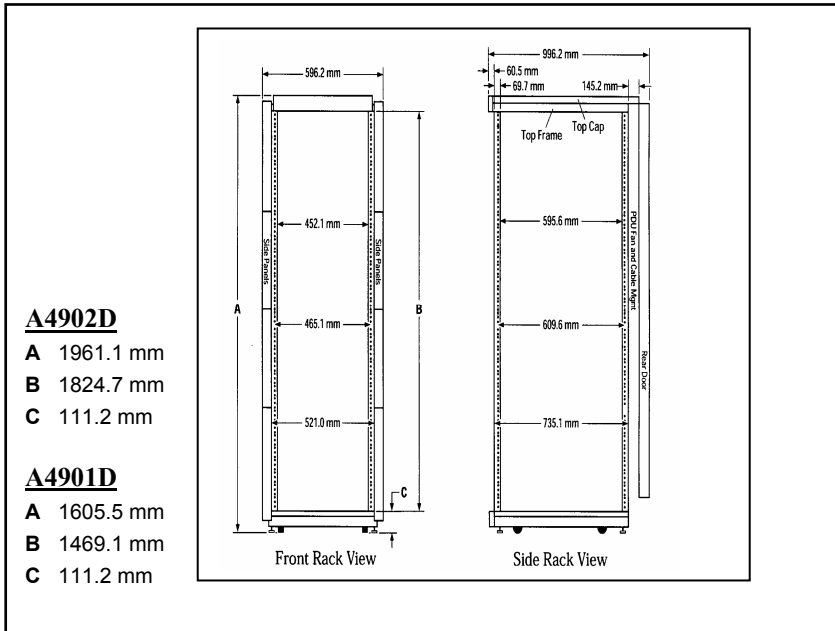
Rear door: Graphite metallic

Material

Columns: 12-gauge, cold-rolled steel

Base: 10-gauge, cold-rolled steel

Top cap: 18-gauge, cold-rolled steel



Weight

Rack (empty): 89.55 kg (197 lbs)

Rack (empty) on shipping pallet:

152.95 kg (336.5 lbs)

Rear door(unpacked): 7.05kg (15.5 lbs)

Anti-tip foot: 16.14 kg (35.5 lbs)

Supported weight

Load capacity:

On shipping pallet: 816 kg (1800 lbs);

Off shipping pallet: 907 kg (2000 lbs)

Casters rating: 453.6 kg (1000 lbs) per caster

* Dimensions are for reference only

Related Products

Other sizes available are:

- **A4902A (quartz)**
- **A4902D (graphite)**
 - 41U of vertical mounting space, includes side panels, bolt-on (front and back) anti-tip feet
- **A4900A (quartz)**
 - 25U of vertical mounting space, includes side panels, bolt-on (front and back) anti-tip feet

Optional Accessories

J1507A/ J1507D	Side Panel Kit (1 kit per rack) included in standard rack
J1510A/ J1510D	Front Door: Perforated, lockable
J1513A/ J1513D	Tie Kit
J1514A/ J4387A	Filler Panels (set of 6)
J1518A/ J1518D	Keyboard Kit, retractable
J1519A/ J1519D	Monitor Kit
J1520A/ J1520D	Plain Shelf, static
J1521A	Lift Hooks (set of 4)
J1522A	Mounting Hardware