

# **SWXOR Series 600 MB, 5.25-Inch, Dual-Speed CD-ROM Disk Drive**

---

## **User's Guide**

Order Number EK-SM1RC-UG. B01

---

Second Edition, September, 1994

The information in this document is subject to change without notice and should not be construed as a commitment by Digital Equipment Corporation. Digital Equipment Corporation assumes no responsibility for any errors that may appear in this document.

Restricted Rights: Use, duplication, or disclosure by the U.S. Government is subject to restrictions as set forth in subparagraph (c) (1) (ii) of the Rights in Technical Data and Computer Software clause at DFARS 252.227-7013.

Digital Equipment Corporation does not give a warranty of any kind regarding the fitness or applicability of the information content for a particular purpose. The user assumes all responsibility for understanding the interrelationships of this enclosed information with other affected software or system products.

The disclosure of this information does not grant to the user a license under any patents, pending patents, trademarks, or copyrights or other rights of Digital Equipment Corporation, or of any third party.

FCC Notice: This equipment generates, uses, and may emit radio frequency energy. The equipment has been type tested and found to comply with the limits for a Class A computing device pursuant to Subpart J of Part 15 of FCC Rules, which are designed to provide reasonable protection against such radio frequency interference when operated in a commercial environment. Any changes or modifications made to this equipment may void the user's authority to operate the equipment. Operation of this equipment in a residential area may cause interference, in which case the user, at his own expense, may be required to take measures to correct the interference.

Copyright © Digital Equipment Corporation 1994  
All Rights Reserved

Printed in U. S. A

The following are trademarks of Digital Equipment Corporation:  
StorageWorks, and the Digital Logo.

All other trademarks and registered trademarks are the property of their respective owners.

# Contents

---

<b>Revision Record</b> .....	v
<b>About This Guide</b> .....	vii
<b>1 Introduction</b>	
1.1 Product Description.....	1-1
1.1.1 Model SWXOR-BA.....	1-1
1.1.2 Model SWXOR-BB.....	1-2
1.1.3 Model SWXOR-BC.....	1-2
1.1.4 Model SWXOR-BD.....	1-2
<b>2 Installation</b>	
2.1 Unpacking.....	2-1
2.2 Setting the SCSI ID Address of the CD-ROM.....	2-1
2.3 Installation into the Expansion Storage Pedestal.....	2-3
2.3.1 Power On Self Test (POST).....	2-4
2.4 Installing Model SWXOR-BC into the Desktop Expansion Unit.....	2-6
2.4.1 Removing the Drive from Expansion Unit.....	2-10
2.5 Installing a Second Drive into a 5.25-Inch SBB.....	2-11
<b>3 Operation and Maintenance</b>	
3.1 Controls and Indicator.....	3-1
3.2 Loading a CD.....	3-2
3.3 Ejecting the CD Drawer.....	3-3
3.4 Ejecting the CD Drawer Manually.....	3-3
3.5 Preventive Maintenance.....	3-4
3.5.1 Disk Care.....	3-4
<b>Appendix A Specifications</b>	
<b>Appendix B Products Notes for Sun™</b>	
<b>Appendix C Products Notes for Novell Netware™ and MS-DOS™</b>	
<b>Index</b> .....	Index-1
<b>Reader Comment Form</b> .....	Inside Back Cover

**Figures**

1-1	Model SWXOR-BA Drive SBB .....	1-2
1-2	Model SWXOR-BC Drive Installed in Desktop Expansion Unit .....	1-3
1-3	Model SWXOR-BD Triple-Drive SBB (Tri-Pack) .....	1-3
2-1	SWXOR-BA SBB SCSI ID Switches .....	2-1
2-2	SWXOR-BD SBB Drive Locations and SCSI ID Switches .....	2-2
2-3	Installing a Single-Drive CD-ROM SBB into the Pedestal .....	2-4
2-4	Loading a Disk into the Drive .....	2-5
2-5	Security Screws .....	2-6
2-6	Cover Latch Release .....	2-7
2-7	Expansion Unit Cover Tabs .....	2-7
2-8	Separating Rails from Backplane .....	2-8
2-9	Removing SBB Rails .....	2-8
2-10	Repositioning Backplane in Right Slot .....	2-9
2-11	Installing 5.25-Inch Device .....	2-9
2-12	Removing Drive .....	2-10
2-13	Second Drive Option Kit Components .....	2-11
2-14	5.25-Inch SBB .....	2-12
2-15	Top Cover to the Mounting Bracket .....	2-13
2-16	Securing Device to the Mounting Bracket .....	2-14
2-17	Two Devices in the SBB .....	2-15
2-18	SCSI ID Flex Circuit to the ZIF Connector .....	2-16
2-19	Folding the CD-ROM I/O Cable .....	2-17
2-20	I/O Module Connectors and SCSI Address Switches .....	2-18
2-21	Mounted Second Device .....	2-19
2-22	Bezel Attachment .....	2-20
3-1	SWXOR-BA CD-ROM SBB Front Panel Controls and Indicator .....	3-1
3-2	Ejecting the CD Drawer .....	3-3
3-3	Ejecting the CD Drawer Manually .....	3-4

**Tables**

1-1	SWXOR Series Dual Speed CD-ROM Configurations .....	1-1
2-1	CD-ROM SCSI ID Switch Settings .....	2-3
2-2	Option Kit Contents .....	2-12
3-1	CD-ROM Front Panel Controls and Indicator .....	3-2
A-1	Drive Specifications .....	A-1

# *Revision Record*

---

*This Revision Record provides a concise publication history of this guide. It lists the manual revision levels, release dates, and reasons for the revisions. It also describes how the changes to affected pages are marked in the guide.*

---

The following revision history lists all revisions of this publication and their effective dates. The publication part number is included in the *Revision Level* column, with the last entry denoting the latest revision. This publication supports the StorageWorks SWXOR 600 MB, Dual Speed, CD-ROM Drive.

<b>Revision Level</b>	<b>Date</b>	<b>Summary of Changes</b>
EK-SM1RC-UG. A01	May 1994	Original release
EK-SM1RC-UG. B01	September 1994	Adds Appendix C, revises Appendix A, and identifies SBB SCSI ID switches.

# *About This Guide*

---

*This section identifies the users of this guide and describes the contents and structure. In addition, it includes a list of conventions used in this guide.*

---

## **StorageWorks SWXOR Series 600 MB, 5.25-Inch, Dual-Speed CD-ROM Disk Drive User's Guide**

This guide provides installation, operation, and maintenance information for the StorageWorks SWXOR Series 600 MB, 5.25-Inch, Dual-Speed CD-ROM Disk Drives.

### **Intended Audience**

This guide is intended for people who will install, operate, and maintain the CD-ROM drives.

### **Document Structure**

This guide contains the following chapters:

#### **Chapter 1: Introduction**

**Introduction** gives a brief product description of the drive and its four storage subsystem configurations.

#### **Chapter 2: Installation**

**Installation** describes unpacking, setting the SCSI ID address, and how to install the drive into a desktop expansion storage pedestal and a desktop expansion unit. The chapter also describes how to upgrade a half-populated CD-ROM SBB from one to two drives.

#### **Chapter 3 Operation and Maintenance**

**Operation and Maintenance** discusses the function of the drive front panel controls and the busy LED indicator, loading a CD into the drive, ejecting the SBB drawer, and preventive maintenance.

### **Appendix A: Specifications**

**Specifications** list the physical, electrical, and environmental specifications for the drive.

### **Appendix B: Product Notes for Sun™**

**Product Notes for SUN** provides SunOS 4.1.x and Solaris 2.x operating system information for the system administrator.

### **Appendix C: Product Notes for Novell™ and MS-DOS™**

**Product Notes for Novell and MS-DOS** provides Novell, MS-DOS, and MS-DOS/Windows operating system information for the system administrator.

### **Conventions**

This guide uses the following conventions:

<b>Style</b>	<b>Meaning</b>
<b>boldface type</b>	<b>For emphasis</b>
<i>italic type</i>	<i>For emphasis and manual titles</i>

# 1

## Introduction

---

*This chapter provides a product description of the StorageWorks SWXOR Series 600 MB, dual-speed, CD-ROM drives. It also identifies the various models and their storage subsystem configurations.*

---

### 1.1 Product Description

The dual-speed, SWXOR series CD-ROM (Figure 1-1) is a low-profile, 600 MB, compact, storage device compatible with StorageWorks storage subsystems. The drive is capable of audio playback, has audio line outputs, and a headphone jack. It uses the SCSI-2 (small computer system interface) bus, and is designed to operate with all StorageWorks storage subsystems. The drive normally serves as the primary load device for operating systems, applications, documents, and integrated video/audio products.

#### NOTE

The audio capability of the CD-ROM disk drive is included in the hardware and is controlled by the host.

The SWXOR drive series is packaged in an industry standard 5.25-inch form factor referred to as a StorageWorks Building Block (SBB). The dual speed CD-ROM is available in four base configurations as described in Table 1-1.

**Table 1-1. SWXOR Series Dual Speed CD-ROM Configurations**

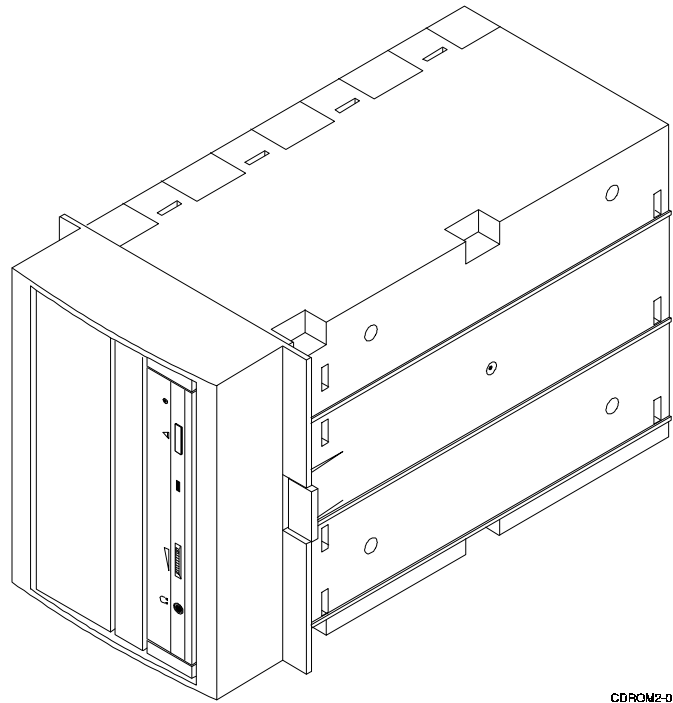
Model	Description
SWXOR-BA	Single drive CD-ROM SBB.
SWXOR-BB	CD-ROM upgrade kit for the SWXOR-BA.
SWXOR-BC	CD-ROM upgrade kit for Desktop Expansion Unit.
SWXOR-BD	Triple-drive CD-ROM SBB (Tri-Pack).

#### 1.1.1 Model SWXOR-BA

The SWXOR-BA CD-ROM drive configuration is packaged in an industry standard 5.25-inch SBB and is capable of housing two identical dual-speed, low-profile, CD-ROM drives. The SWXOR-BA model of the SBB contains a single drive as shown in Figure 1-1.



**Figure 1–1 Model SWXOR-BA Drive SBB**



### **1.1.2 Model SWXOR-BB**

The SWXOR-BB model consists of a CD-ROM upgrade kit for the half-populated 5.25-inch SBB. The kit contains all of the components necessary to convert the SWXOR-BA single drive SBB to a dual-drive device (not shown).

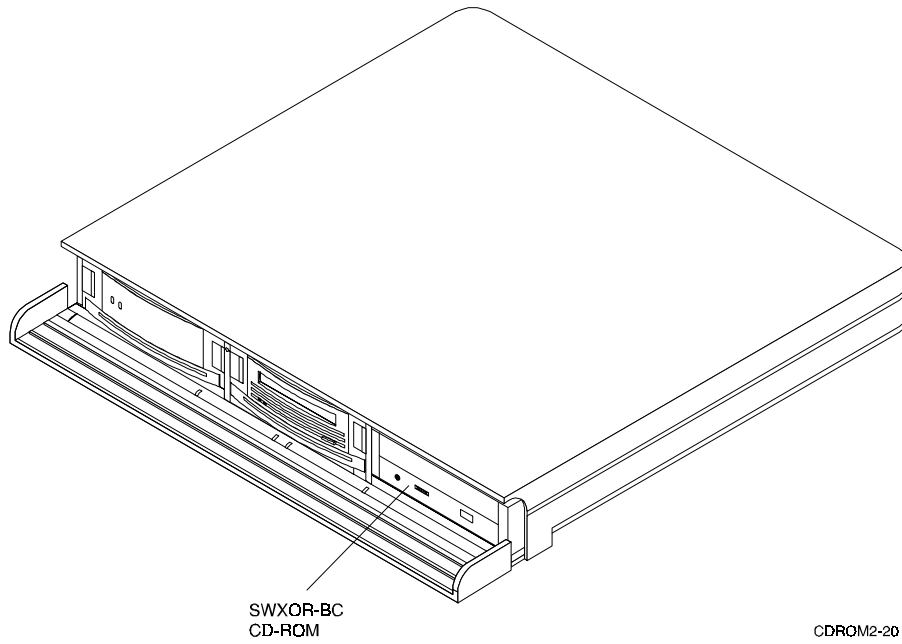
### **1.1.3 Model SWXOR-BC**

The SWXOR-BC configuration consists of a drive upgrade kit for the StorageWorks Desktop Expansion Unit. This kit is used to upgrade the right slot of the desktop expansion unit from a 3.5-inch SBB to a 5.25-inch, low-profile CD-ROM. Figure 1–2 shows the desktop expansion unit with the SWXOR-BC installed.

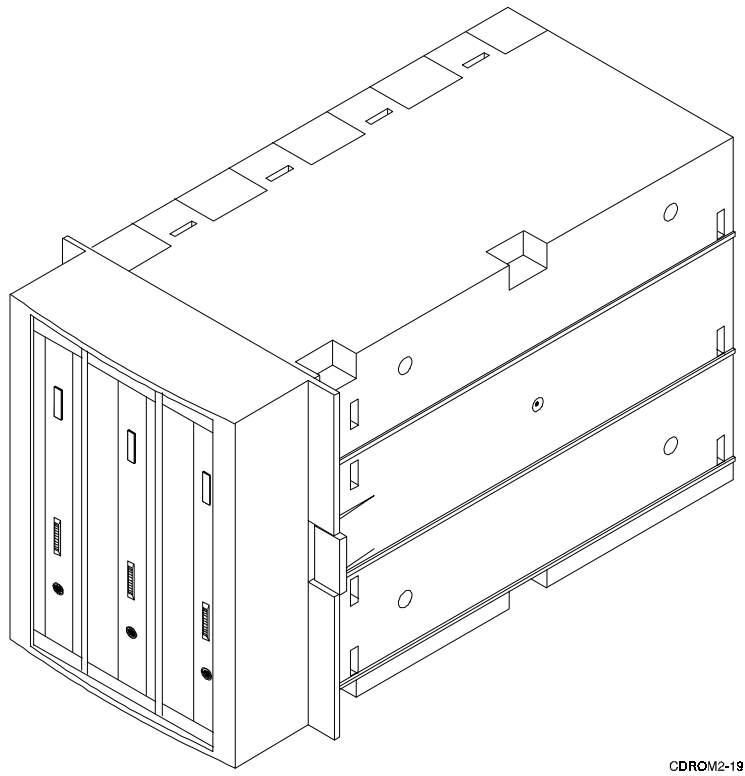
### **1.1.4 Model SWXOR-BD**

The last model in the dual-speed, CD-ROM series is the SWXOR-BD referred to as a "tri-pack". It consists of three low-profile drives mounted in a 5.25-inch SBB carrier (Figure 1–3). The SWXOR-BD is installed in the StorageWorks deskside expansion storage pedestal.

**Figure 1–2 Model SWXOR-BC Drive Installed in Desktop Expansion Unit**



**Figure 1–3 Model SWXOR-BD CD-ROM SBB (Tri-Pack)**



## Installation

---

*This chapter describes how to set the SCSI ID address of the drive(s), install an SBB into a storage subsystem, and how to upgrade a half-populated (single drive) SBB from one to two drives.*

---

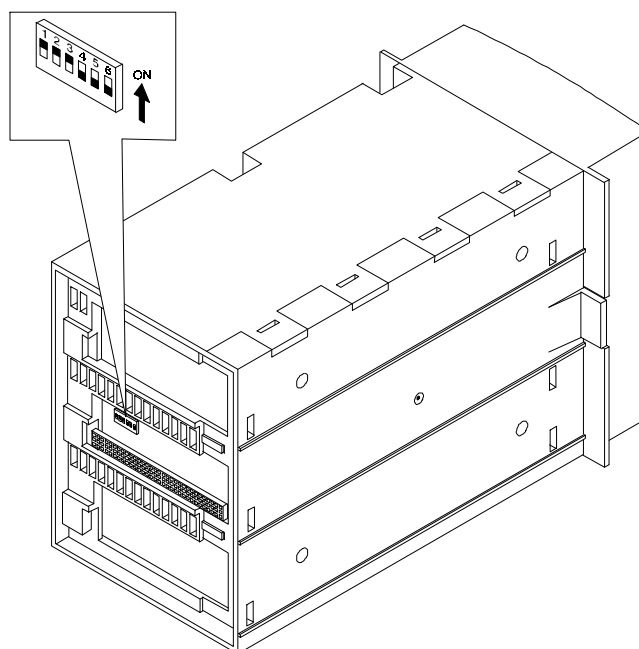
### 2.1 Unpacking

Unpack the contents of your shipment and ensure the SBB is not damaged. Retain the box and packing material for reshipment.

### 2.2 Setting the SCSI ID Address of the CD-ROM

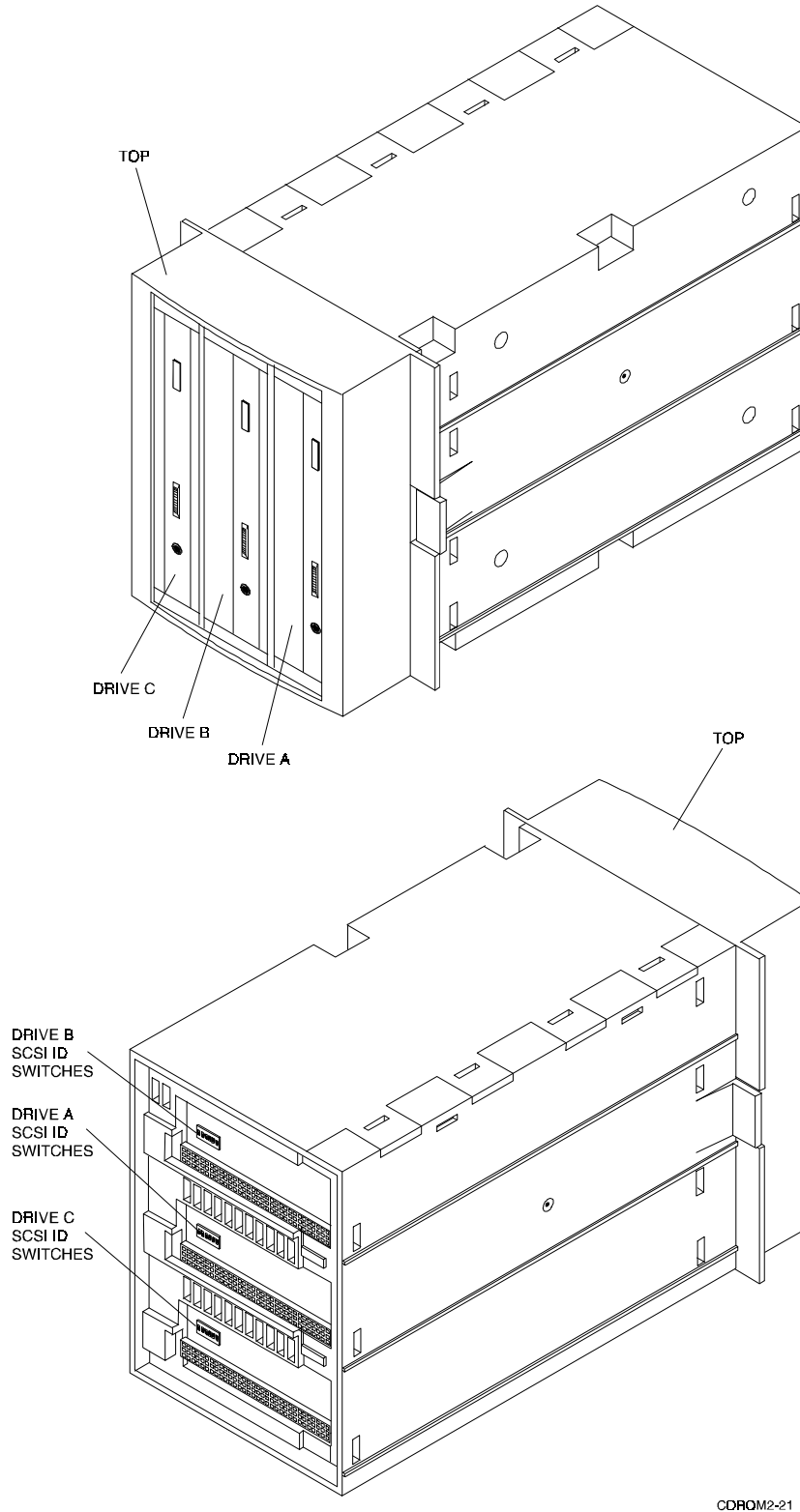
The six-switch switchpack on the rear of the CD-ROM SBB is used to override the SBB default device address set by the pedestal. Setting these switches to automatic sets the device address to the storage subsystem's slot number. The switches are preset at the factory to automatic, but can be set manually to a different address at your option. Figure 2–1 shows the switches in detail for model SWXOR-BA. Figure 2–2 identifies the drives and their associated switchpacks for the triple drive, model SWXOR-BD. Refer to Table 2–1 for the information to reset the SCSI address when required.

**Figure 2–1. SWXOR-BA SBB SCSI ID Switches**



CDROM-09

Figure 2-2. SWXOR-BD SBB Drive Locations and SCSI ID Switches



**Table 2–1 CD-ROM SCSI ID Switch Settings**

Address	SW-1	SW-2	SW-3	SW-4	SW-5	SW-6
0	Off	Off	Off	Off	Off	Off
1	On	Off	Off	Off	Off	Off
2	Off	On	Off	Off	Off	Off
3	On	On	Off	Off	Off	Off
4	Off	Off	On	Off	Off	Off
5	On	Off	On	Off	Off	Off
6	Off	On	On	Off	Off	Off
7*	On	On	On	Off	Off	Off
Automatic†	Off	Off	Off	On	On	On

\* Normally reserved for host.

† Sets device address to storage subsystem slot number.

### 2.3 Installation into the Expansion Storage Pedestal

The 5.25-inch SBB occupies three standard 3.5-inch SBB slots in the Expansion Storage Pedestal and is installed by inserting the SBB into any three adjacent available SCSI device storage slots. Figure 2–3 shows a typical installation of a single drive SBB into the pedestal.

#### NOTE

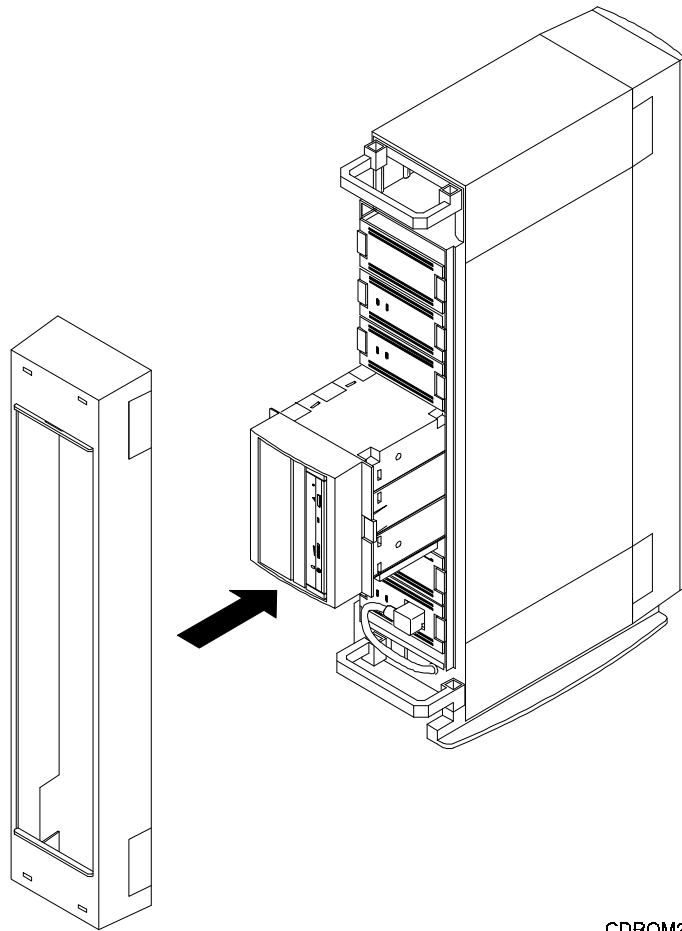
Refer to Appendix B or C for instructions on your specific operating system before installing the CD-ROM into your subsystem.

The CD-ROM SBB is installed in the Expansion Storage Pedestal by inserting the SBB into any three adjacent SBB device slots in the subsystem. The SBB can be installed using the *hot-swap* method where the drive is installed with the host system powered on and operating, or with the host system powered off. Consult your system administrator before using the *hot-swap* method to ensure that your operating system supports this type of installation.

To install the CD-ROM SBB:

1. Remove the filler panels (or SBBs) from three adjacent device slots in the pedestal by squeezing the locking handles at the ends of the panels (or SBBs) and pulling forward until the panels or SBB is free of the subsystem.
2. Install the SBB into the open slots and slide it in firmly until the locking handles snap into place.
3. Proceed to the POST test below to verify the proper operation of the drive(s).

**Figure 2–3. Installing a Single Drive CD-ROM SBB into the Pedestal**



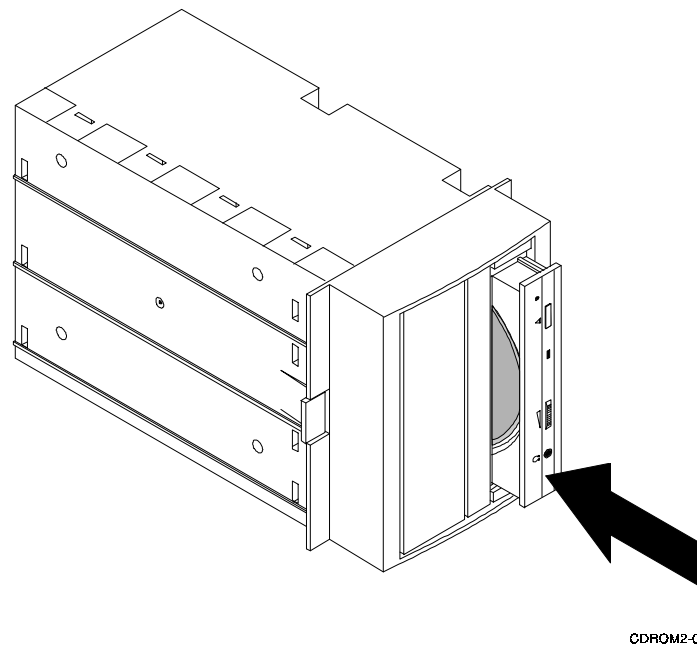
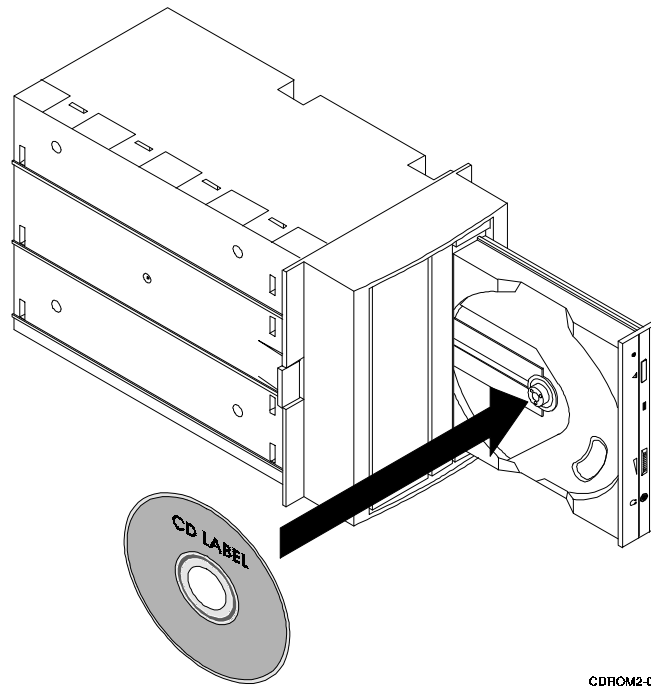
CDROM2-02

### **2.3.1 Power On Self Test (POST)**

The POST test verifies the successful installation of the CD-ROM drive. To execute POST, perform the following :

1. Set the expansion storage pedestal power switch to on.
2. Load a compact disk into the drive (Figure 2–4).
3. The CD-ROM *busy* LED flashes for about five seconds and goes out.
4. If the SBB has more than one drive, repeat steps 2 and 3 for each device.
5. Power on the remaining devices in the pedestal and power on the host system(s).

Figure 2-4. Loading a Disk into the Drive







## 2.4 Installing Model SWXOR-BC into the Desktop Expansion Unit

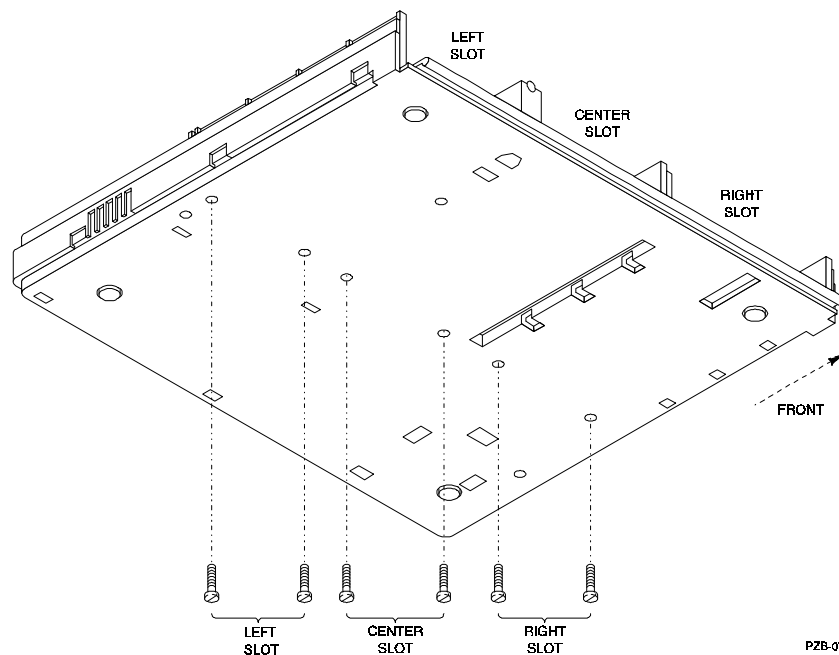
The right slot in the expansion unit is pre-configured at the factory to accept a 3.5-inch SBB. To reconfigure the right slot of the expansion unit to accept the SWXOR-BC CD-ROM, proceed as follows:

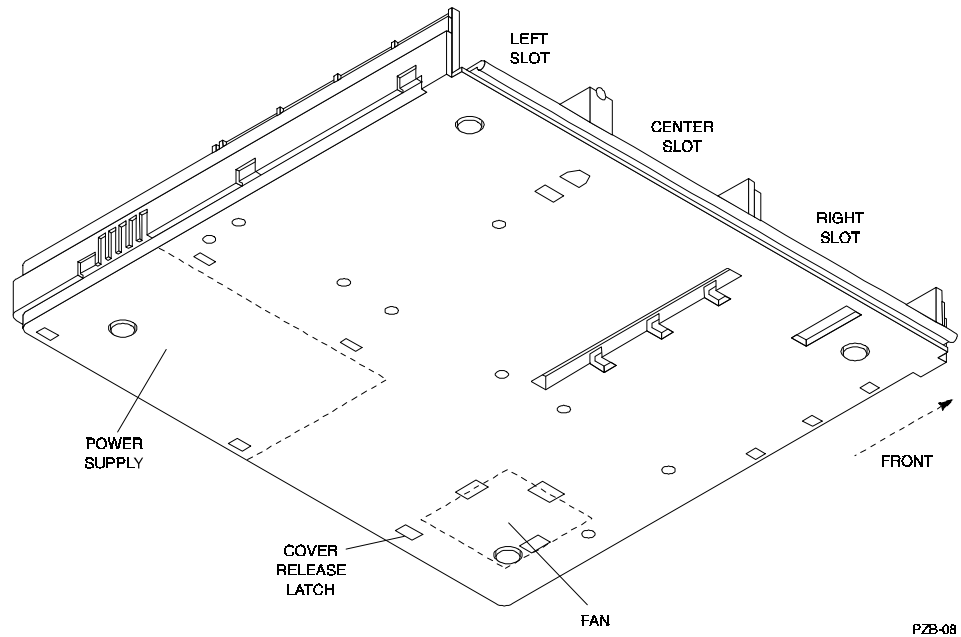
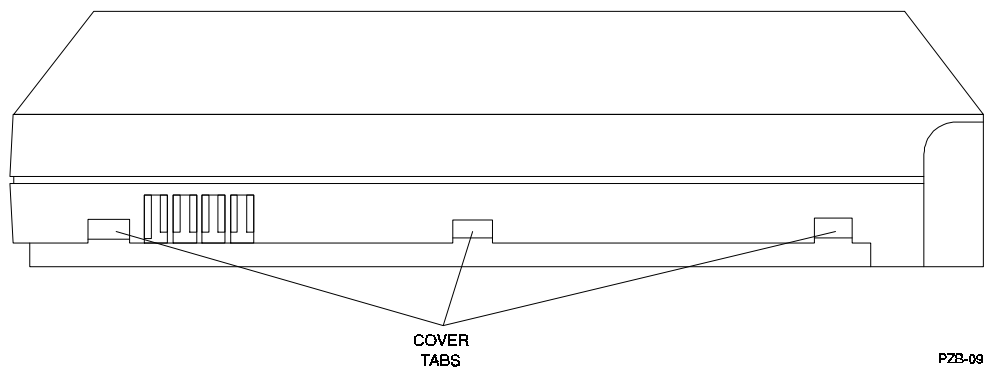
### CAUTION

Do not attempt the following procedure unless you have taken proper precautions against electrostatic discharge (ESD). Ensure you wear an ESD grounded wrist strap before removing the cover from any enclosure or device.

1. Set power switch on the rear panel to off and disconnect the SCSI and power cables.
2. *If installed*, remove the right slot security screws from the bottom of the expansion unit (Figure 2-5).
3. Open the front panel dust cover and remove the drive (or filler panel) from the right slot of the expansion unit.
4. Place the expansion unit on a flat surface with the bottom side up and release the cover latch by inserting a flat-blade screwdriver into the hole behind the fan and pushing gently on the screwdriver until the latch releases (Figure 2-6).
5. To remove the cover, reposition the expansion unit right side up and use a flat-tip screwdriver to press the three cover tabs on the left side of the unit (Figure 2-7) and remove cover.
6. Squeeze the side rail locking tabs on the backside of the backplane to separate the rails from the backplane (Figure 2-8).

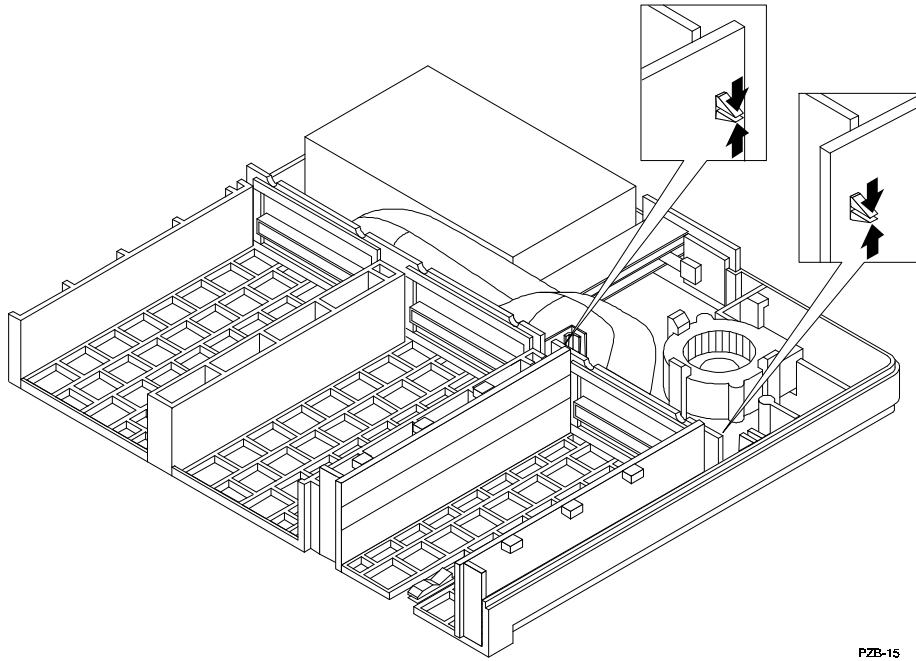
Figure 2-5. Security Screws



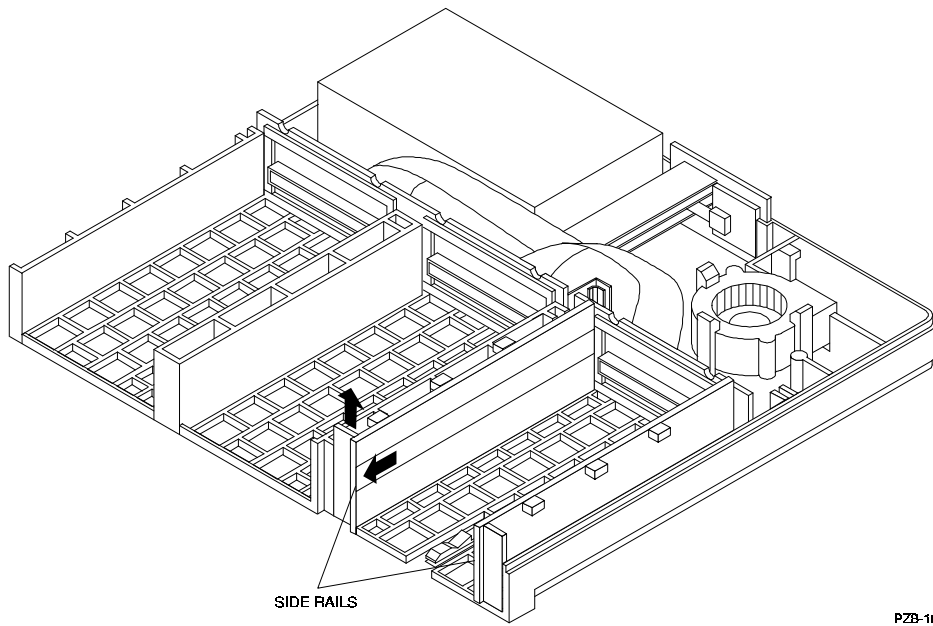
**Figure 2–6. Cover Latch Release****Figure 2–7. Expansion Unit Cover Tabs**

7. Pull the two side rails forward in the right slot to disengage the rail locking tabs and remove both rails (Figure 2–9).
8. Lift the backplane up and reinsert it into the rear holders at the rear of the slot (Figure 2–10).

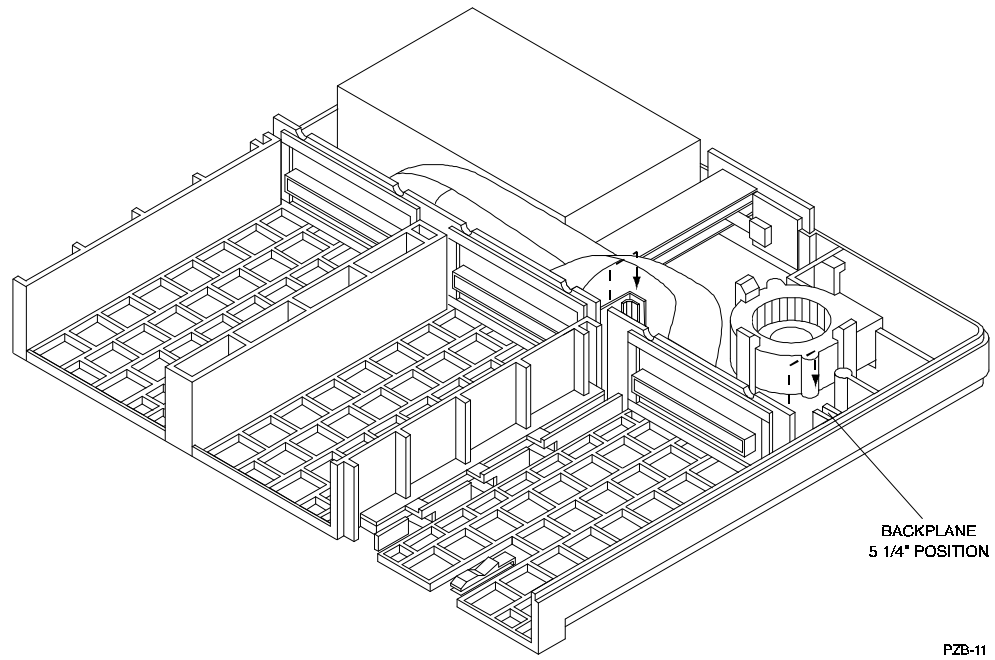
**Figure 2–8. Separating Rails from Backplane**



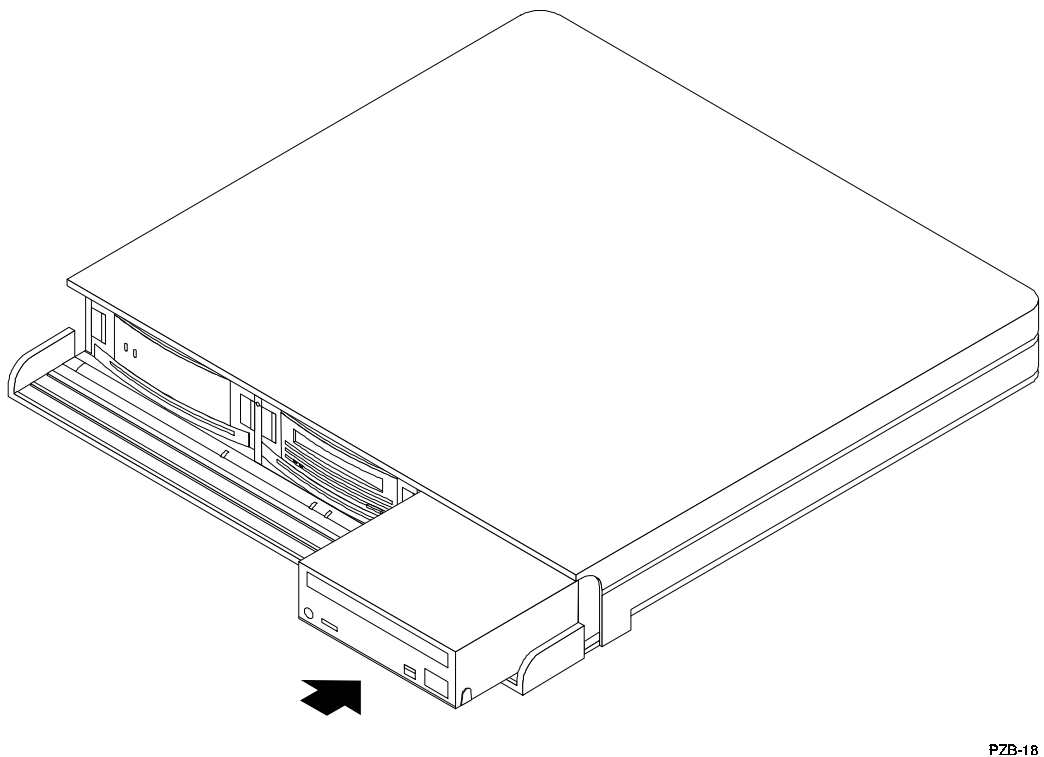
**Figure 2–9. Removing SBB Rails**



**Figure 2–10. Repositioning Backplane in Right Slot.**



**Figure 2–11. Installing 5.25-inch Device**



**NOTE**

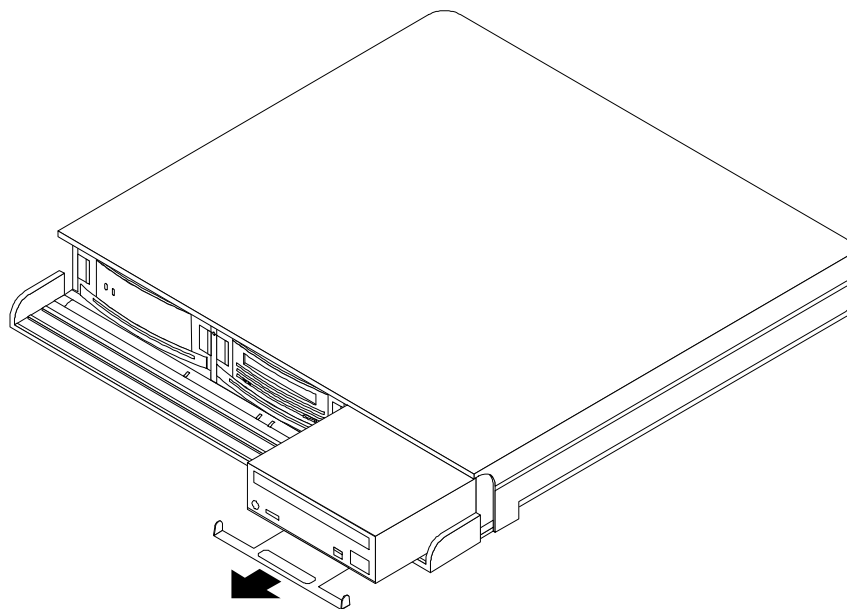
It may be necessary to align the backplanes with the interfacing channels in the cover to properly install and secure the cover in the following step. If you have difficulty installing the cover, insert your hand into the storage slot (ensure power is off) and wiggle the backplane until it aligns with the channels in the cover.

9. Replace the top cover on the expansion unit by aligning the three female tabs on the right side of the cover with the tabs in the base, and then aligning the tabs on the right side of the cover and gently pushing down on the cover until the tabs lock into place.
10. Install the 5.25-inch device into the right slot by aligning the device into the rails and pushing it back until the SCSI connection is firmly seated (Figure 2–11).
11. If removed in step 2, replace the security screws in the right slot of the expansion unit.
12. Reconnect the SCSI and power cables, set the power switch to on, and ensure the status indicator lights and remains on.

### 2.4.1 Removing Drive from Expansion Unit

The 5.25-inch low-profile drive is equipped with a retractable handle at the bottom to remove the device if desired. To remove the drive, extend the handle until it stops. Grasp the opening in the handle and continue to pull until the backplane connection is disconnected and remove the drive (Figure 2–12).

**Figure 2–12. Removing Drive**



PZB-17

## 2.5 Installing a Second Drive into a 5.25-Inch SBB

This section presents the procedures for installing a second drive when a second device is required. When two drives are installed in one 5.25-inch SBB, the second device is installed in the left device location. Refer to the *StorageWorks Family User's Guide* or the *StorageWorks Family Configuration Guide* for information on configuring and installing 5.25-inch full-height devices.

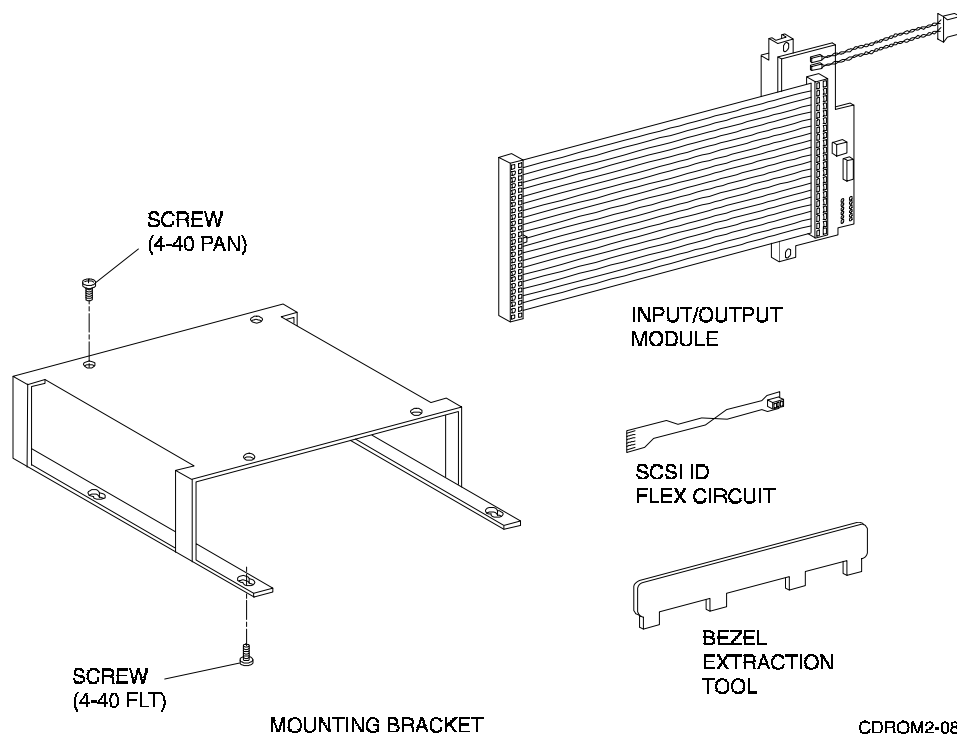
Use the following procedure to install a second drive into a 5.25-inch SBB.

### CAUTION

Do not attempt the following procedure unless you have taken proper precautions against electrostatic discharge (ESD). When you remove the cover from any enclosure or device, wear an ESD grounding wrist strap to avoid damaging the equipment.

1. Place the contents of the second 5.25-inch low-profile option kit (Figure 2–13) and the second CD-ROM on a flat surface and within easy reach.

**Figure 2–13. Second Drive Option Kit Components**

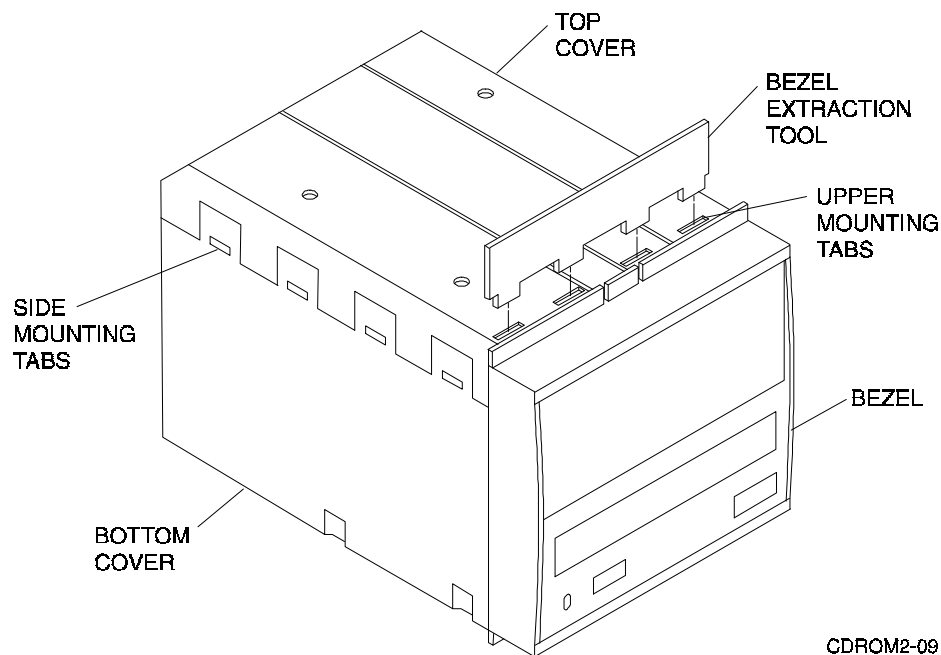


2. Inspect the contents of the second low-profile option kit and ensure that all of the components are included (Table 2–2).

**Table 2–2. Option Kit Contents**

Component	Part Number	Quantity
Mounting Bracket	74-45316-01	1
Input/Output Module	54-22219-01	1
SCSI ID Flex Circuit	17-03608-06	1
Bezel Extraction Tool	74-47025-01	1
Screw, Machine 4-40 Pan	90-06011-01	4
Screw, Machine 4-40 Fit	90-09414-02	4

3. Place the SBB (Figure 2–14) in front of you and remove the bezel as follows:
  - a. Push down on the four upper mounting tabs with the bezel extraction tool while pulling the top of the bezel away from the SBB.
  - b. When the upper mounting tabs are free, pull the bezel forward slightly to release the bottom mounting tabs, then remove the bezel.

**Figure 2–14. 5.25-Inch SBB**

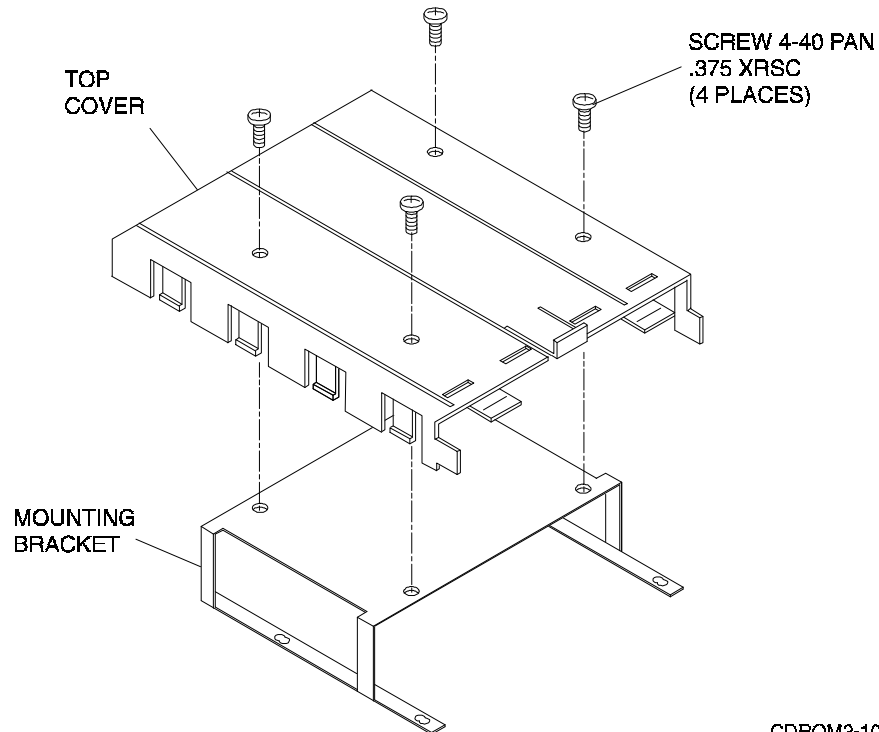
4. Remove the top cover as follows:

**CAUTION**

To prevent damage to the SBB or the device, use a screwdriver and *minimal pressure* to release each mounting tab.

- a. On the left side, push in each of the four top cover side mounting tabs until they are released from the bottom cover (Figure 2–14).
  - b. On the right side, push in each of the four top cover side mounting tabs until this side is released, then remove the top cover.
5. Attach the top cover to the mounting bracket as follows:
    - a. Position the top cover over the mounting bracket and align the mounting holes with the screw holes in the top of the mounting bracket (Figure 2–15).
    - b. Insert and tighten the four 4-40 pan machine screws (recommended torque is seven inch-pounds).

**Figure 2–15. Top Cover to the Mounting Bracket**



CDROM2-10



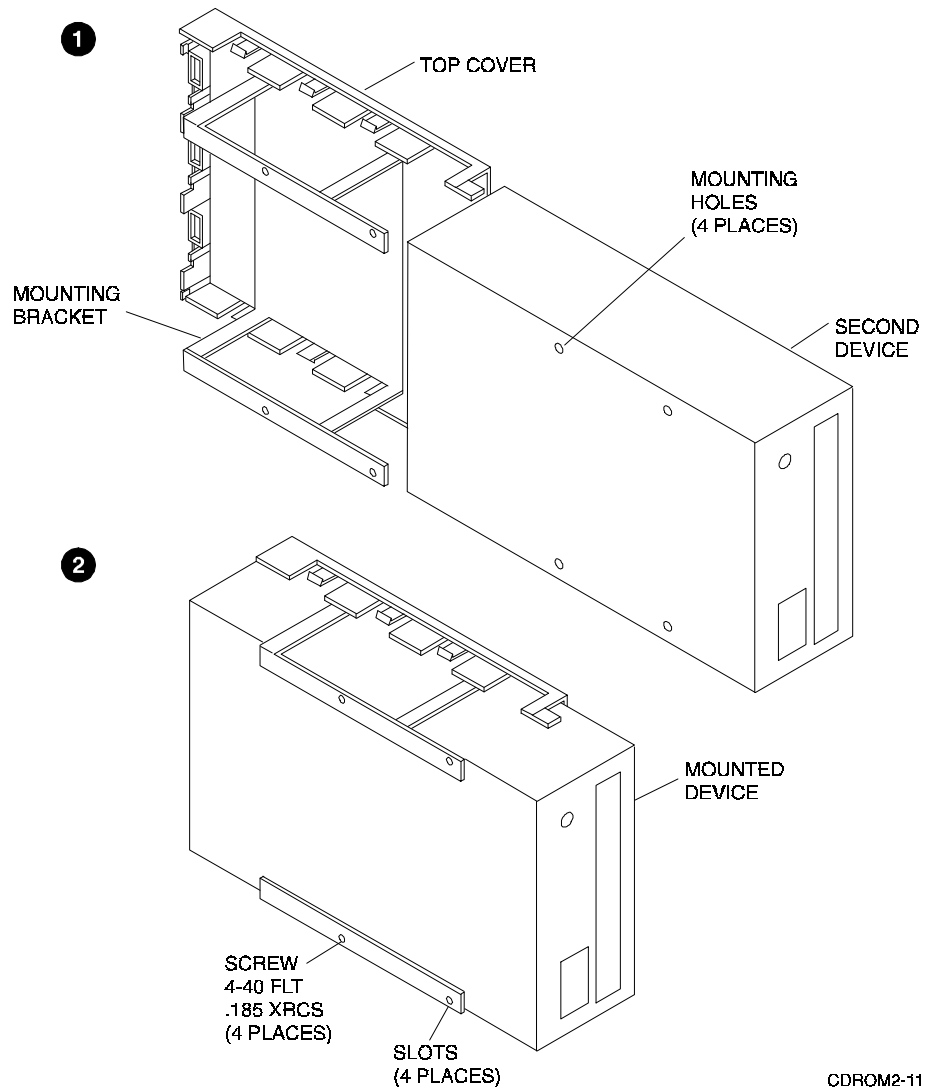
6. Attach the CD-ROM device to the mounting bracket as follows (Figure 2–16):

**CAUTION**

Use care when sliding the device into the mounting bracket.  
Excess force may damage the device.

- a. Slide the device into the mounting bracket as shown in Figure 2–16.
- b. Align the four device mounting holes with slots in the mounting bracket.
- c. Insert four 4-40 flat machine screws through the mounting bracket slots and into the device. Do not tighten the machine screws.

**Figure 2–16. Securing Device to the Mounting Bracket**



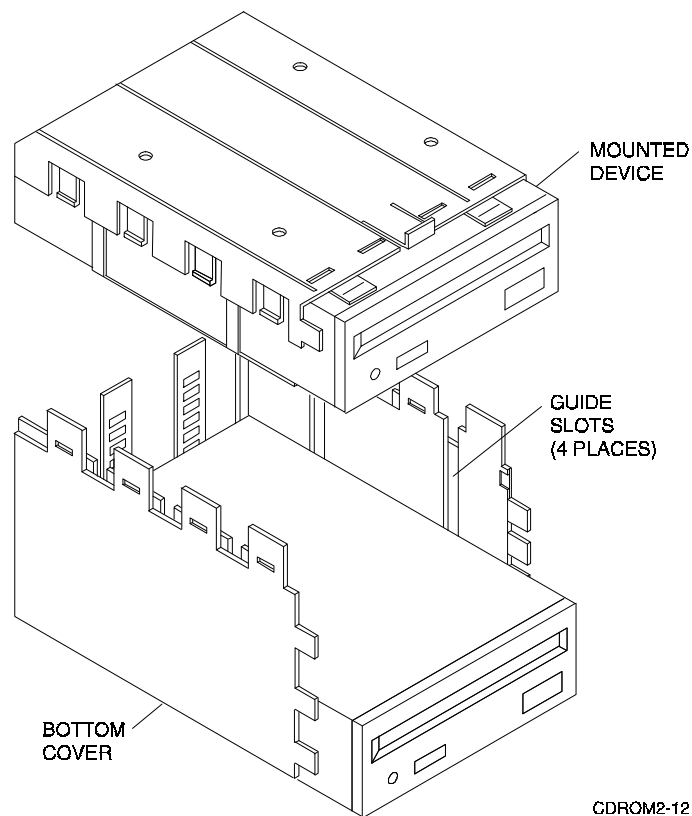
7. Align the two devices in the SBB as follows:
  - a. Slide the mounted device into the bottom cover guide slots ( Figure 2–17), but do not engage the top and bottom covers.
  - b. Align the front of the top device with the front of the bottom device.

**NOTE**

To avoid losing alignment, hold the device to prevent it from moving in the mounting bracket.

- c. Lift the device from the bottom cover and tighten the four 4-40 flat machine screws (recommended torque is seven inch-pounds).
- d. Slide the mounted device into the bottom cover guide slots to ensure the alignment has not changed. If the alignment changed, repeat steps a. through d.
- e. If the alignment has not changed, lift the device from the bottom cover and proceed to the next step.

**Figure 2–17. Two Devices in the SBB**



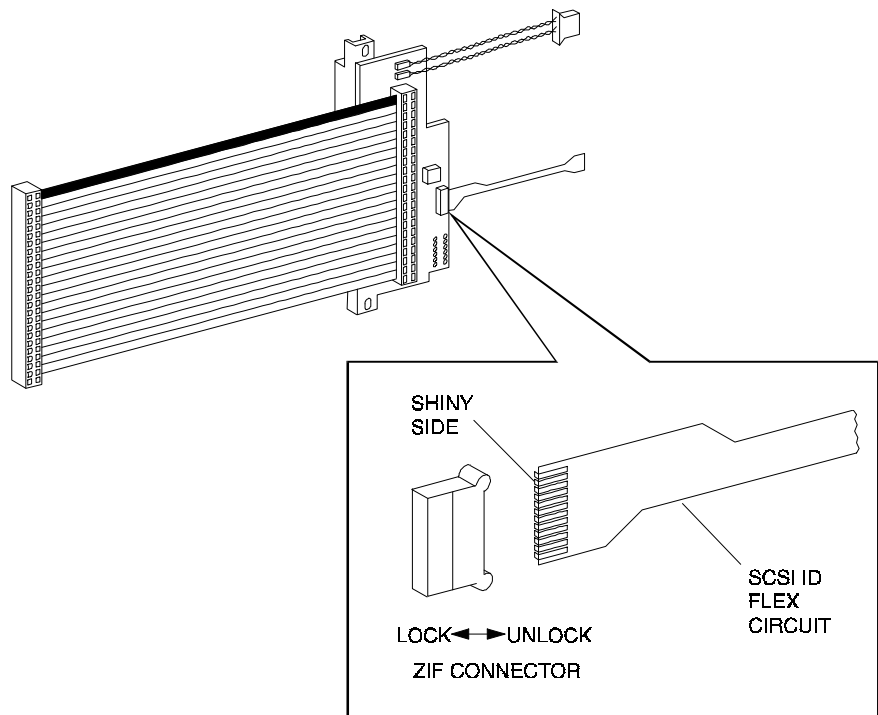
8. Attach the SCSI ID flex circuit to the I/O module ZIF connector as follows:

**CAUTION**

The SCSI ID connector must fit straight into the ZIF connector  
or a possible short circuit condition could occur.

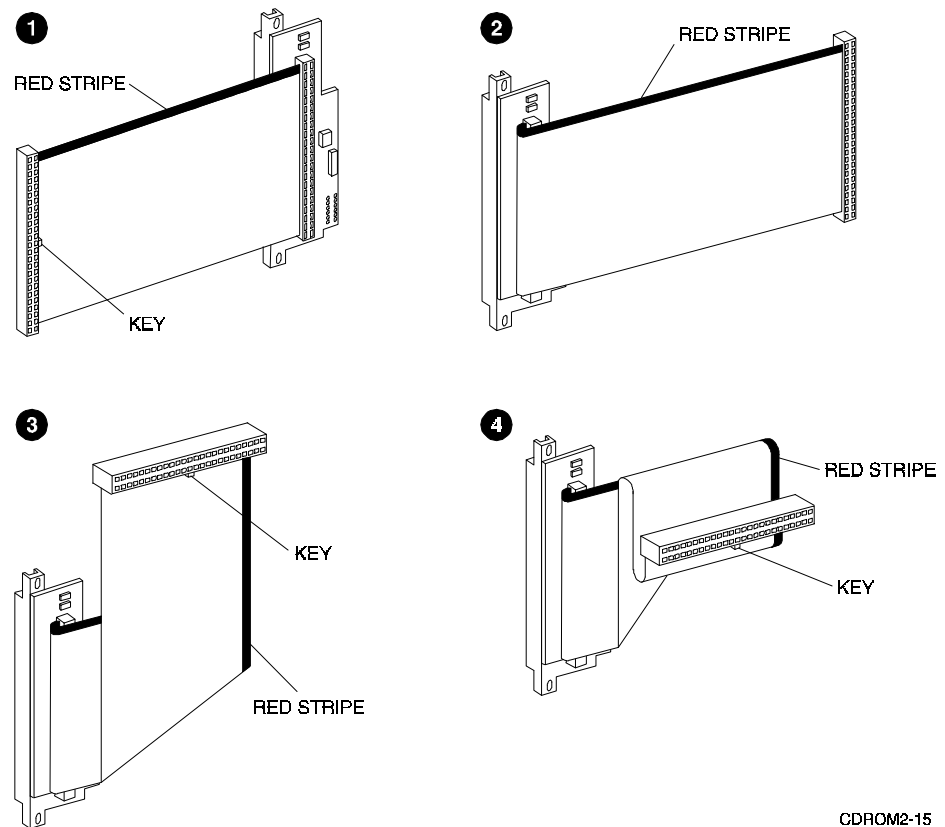
- a. Locate and unlock (pull) the edge of the ZIF connector (Figure 2–18).
  - b. Insert the flat end of the SCSI ID flex circuit into the ZIF connector. Ensure that the contacts (shiny side) are face down.
  - c. Lock (push) the edge of the ZIF connector to secure the SCSI ID flex circuit.
9. Fold the I/O cable as shown in Figure 2–19.

**Figure 2–18. SCSI ID Flex Circuit to the ZIF Connector**



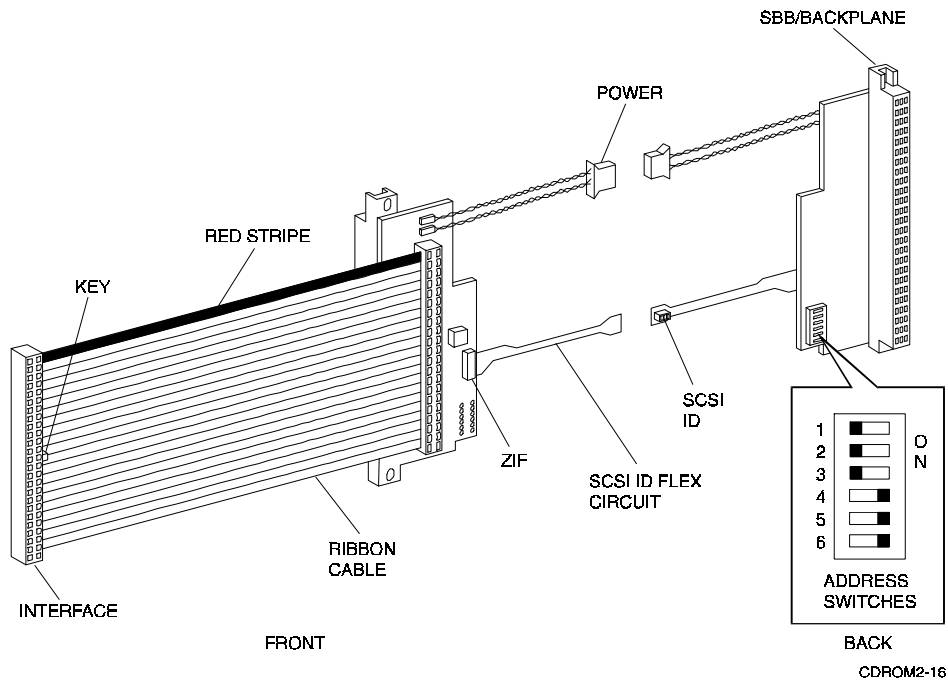
CDROM2-13

Figure 2–19. Folding the CD-ROM I/O Cable



10. Attach the I/O module connectors (Figure 2–20) to the second 5.25-inch device as follows:
  - a. Keep the ribbon cable folded while you plug in the connectors.
  - b. Plug in the interface connector.
  - c. Plug in the power connector.
  - d. Plug in the SCSI connector.
  - e. Remove and discard the protective cover over the address switches.
  - f. Set the address switches as shown in Figure 2–20.

Figure 2–20. I/O Module Connectors and SCSI Address Switches

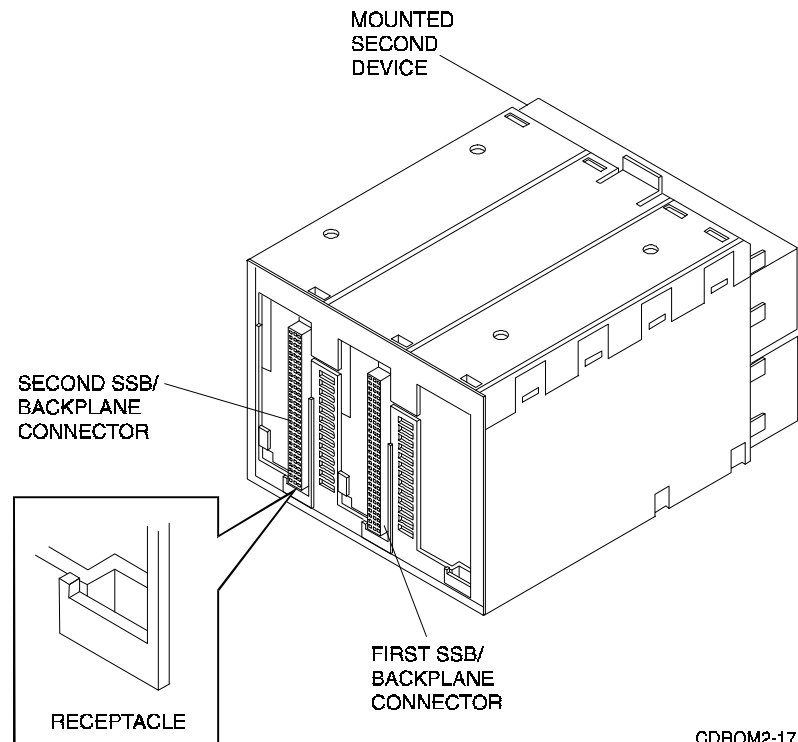


11. Insert the mounted second device into the bottom cover guide slots (Figure 2–17).

**NOTE**

The second connector is positioned in the slot to the left of the first connector.

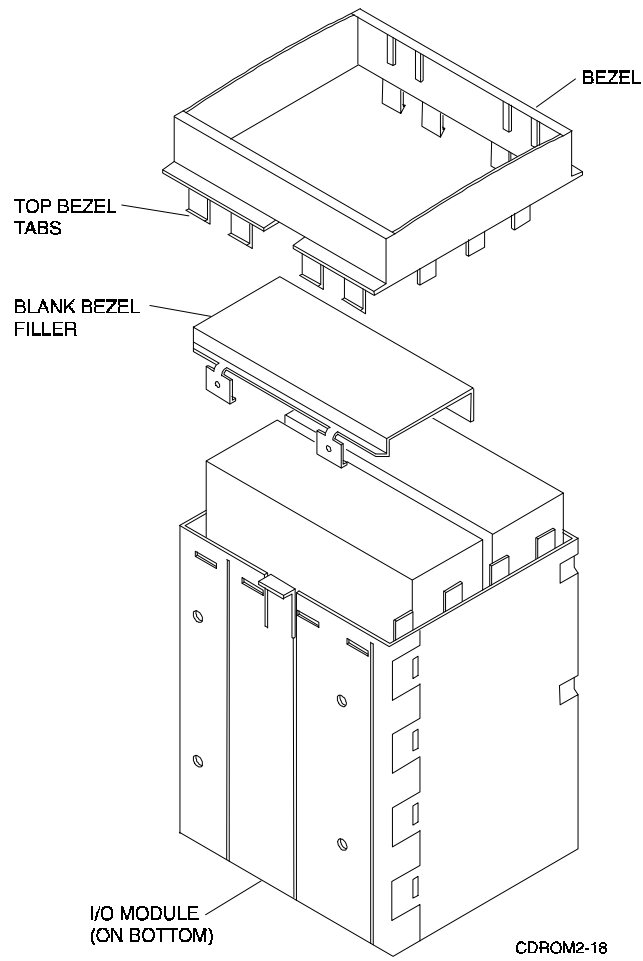
12. Position the bottom of the SBB/backplane connector into the receptacle in the bottom cover as shown in Figure 2–21. The top cover has a similar receptacle for the top of the SBB/backplane connector.
13. As you align the top and bottom covers, make sure that both SBB/backplane connectors move freely up, down, and sideways.
14. Push the top cover into the bottom cover until the eight tabs on the sides of the covers engage and snap into place.

**Figure 2–21. Mounted Second Device**

15. Attach the bezel as follows:

- a. Stand the SBB on the I/O module end as shown in Figure 2–22.
- b. Pick up the bezel and remove the blank filler bezel.
- c. Fit the top bezel tabs into the SBB. Make sure the tabs are aligned as shown, then gently push until the four top bezel tabs and four bottom bezel tabs are secure.
- d. The second 5.25-inch device is installed and the SBB is ready to install into your storage subsystem.

**Figure 2-22. Bezel Attachment**



## Operation and Maintenance

---

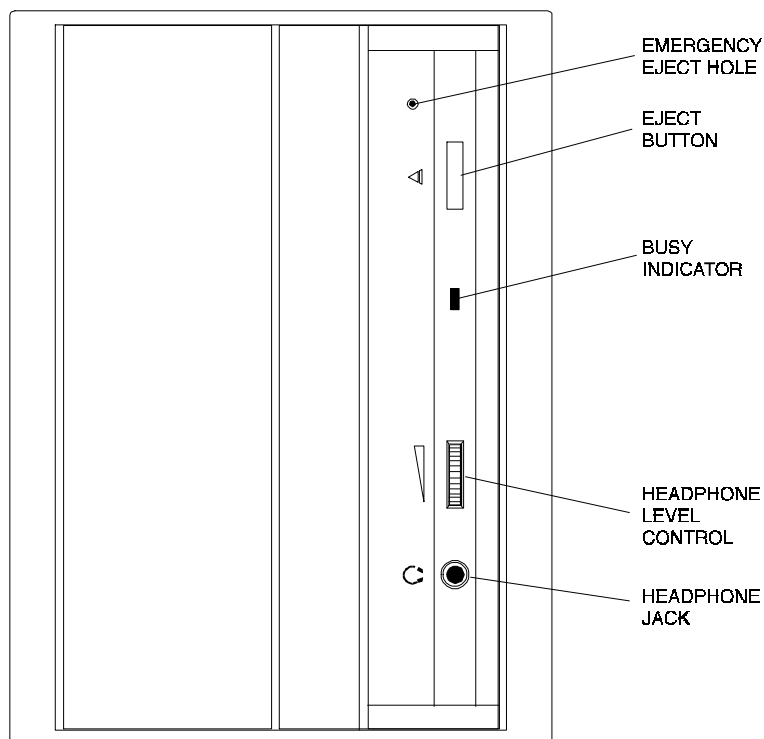
*This chapter discusses the operation of the controls and the LED indicator on the front panel of the CD-ROM. It also describes how to load a CD, manually eject a CD drawer, and preventive maintenance.*

---

### 3.1 Controls and Indicator

The front panel of the CD-ROM (Figure 3–1) contains controls and an indicator which allow the operator to access, control, and monitor the operation of the drive. Table 3–1 lists the front panel items and describes their functions.

**Figure 3–1. SWXOR-BA CD-ROM SBB Front Panel Controls and Indicator**



CDROM2-05



**Table 3–1. CD-ROM Front Panel Controls and Indicator**

Front Panel Item	Function
Emergency eject hole	Used to manually eject a CD (See Section 3.4).
Eject button	Ejects the CD from the drive when power is on (See Section 3.3).
Busy indicator	Shows status of CD-ROM. When CD drawer is opened, the indicator will turn off. When the CD drawer is closed, the indicator blinks for 10 seconds and shows one of the following disk conditions: <b>Busy LED off</b> - drive ready for read operation <b>Busy LED on</b> - drive is inoperative <b>Busy LED blinks slowly</b> - CD is probably dirty (clean CD).
Headphone level control	Adjusts the volume.
Headphone jack	Accepts headphone connector.

### 3.2 Loading a CD

**NOTE**

Ensure the supporting software is installed in the host system before operating the drive.

Perform the following steps to load a disk into the drive:

1. Set the *power* switch on the storage subsystem to on.
2. Press the *eject* button on the front panel to eject the drawer.
3. Pull out the drawer to the end stop.
4. Insert the CD onto the spindle as shown in Figure 2–4, Chapter 2. Ensure it snaps into place.
5. Push the drawer into the drive until it is flush with the front panel.
6. The *busy* LED should flash as the drive reads the Table of Contents (TOC) on the disk.
7. When the *busy* LED goes out, the drive is ready to receive the command from the host computer.
8. Follow the instructions provided by the host system's software manual.

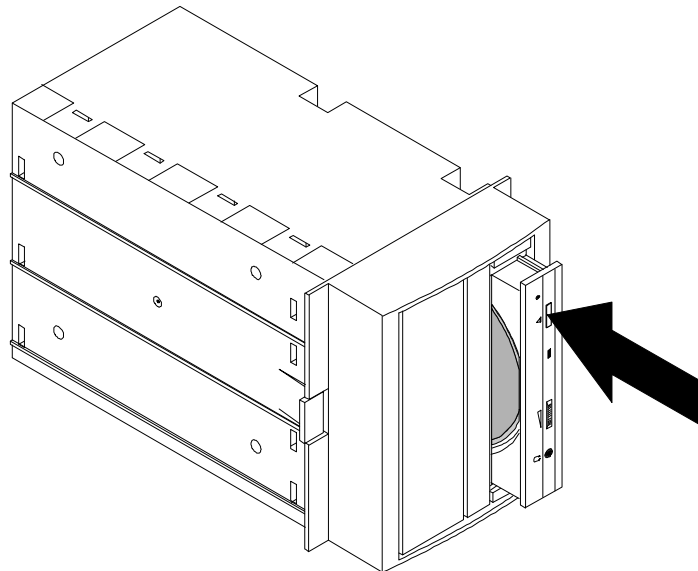
### 3.3 Ejecting the CD Drawer

When the drive is powered on and operating, the *eject* push-button on the drive is used to eject the CD drawer (Figure 3–2). If the *eject* push-button function is disabled by software or the drive does not eject the drawer after you press the *eject* push-button, refer to Section 3.4 below for manual-ejection instructions.

#### CAUTION

Never press the *eject* push-button while the drive is in operation. In particular, media should never be changed when the drive is executing a data transfer operation (green LED on front panel on or flashing). Pressing the *eject* push-button during a data transfer may cause the device to enter an indeterminate state.

Figure 3–2. Ejecting the CD Drawer



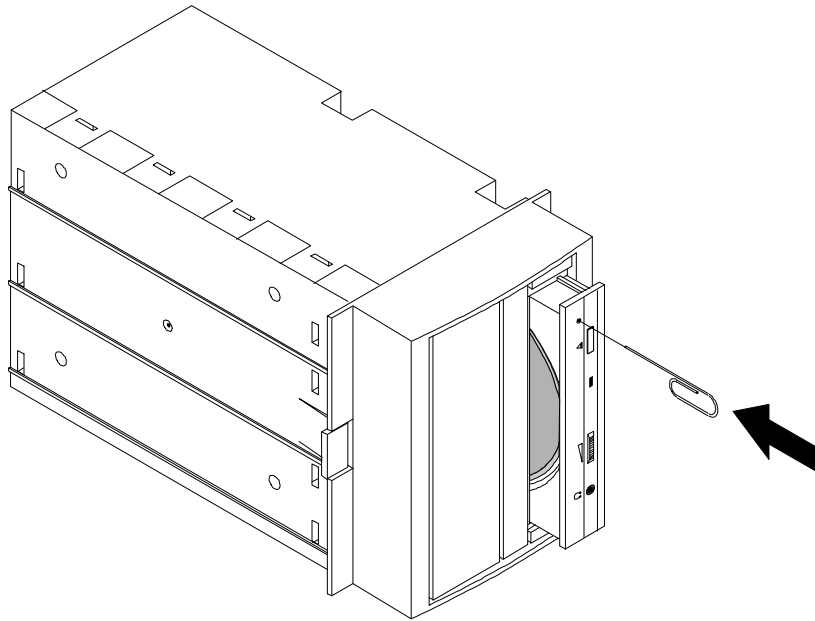
CDROM2-06

### 3.4 Ejecting a CD Drawer Manually

The *eject* push button on the CD-ROM drive does not function when the switch is disabled by software or if power to the drive is turned off. Use the following procedure to manually eject the CD drawer from the drive (see Figure 3–3):

1. Set the power switch on the subsystem to off to remove power from the drive.
2. Straighten one end of a large paper clip and insert the clip into the *emergency eject hole* as shown in Figure 3–3.
3. Push the clip to eject the CD drawer from the drive.

**Figure 3-3. Ejecting the CD Drawer Manually**



CDROM2-07

## 3.5 Preventive Maintenance

The CD-ROM drive does not require any form of periodic cleaning. To maintain optimum performance, ensure the environment where the drive is installed is free of contamination. If the errors are recurrent, clean the disk as described below.

### 3.5.1 Disk Care

Observe the following to maintain maximum performance and trouble-free operation of the CD-ROM drive:

- Do not drop the disk
- When transporting the drive, remove the CD from the drive
- When a disk is dirty, clean it with a clean, lint-free cloth. Wipe the disk from the center out
- Do not use solvents such as benzene, thinner, commercial cleaners, or anti-static sprays
- Do not place the CD in a location subject to:
  - Dust
  - Direct sunlight
  - High temperature
  - High humidity



## Specifications

---

*This appendix describes the physical, electrical, and environmental specifications for the drive.*

---

**NOTE**

The physical specifications in the following table apply to the characteristics of the drive with no front filler bezel attached.

**Table A-1. Drive Specifications**

<b>Characteristic</b>	<b>Specification(s)</b>
Dimensions	5.75 in W 1.0 in H x 7.68 in D (146 mm x 25.4 mm x 195 mm)
Weight	1.94 lbs, 7 oz. (0.88 kg.)
Drive interface	SCSI-2 (8-bit, single ended)
Formatted data capacity	Approximately 600 Mbytes
Average data transfer rate	150 Kbytes/sec (single speed) 300 Kbytes/sec (dual speed) Maximum burst rate: 1.5 Mbytes/s (async); 4.2 Mbytes/s (sync)
Random access time	Average: 385 msec (single speed); 250 msec (dual speed)
Spin-up time	2.3 seconds (single speed) 2.6 seconds (dual speed)
Data buffer	64 Kbytes
Audio output level <sup>†</sup>	Line output: 0.9 V @ 47 K $\Omega$ Headphone: 0.925 V @ 100 $\Omega$ (at maximum volume)
Power	+5 Vdc $\pm$ 5% @ 490 ma (average)
Operating temperature	5° to 50° C (41° to 122° F)
Operating humidity	10 to 90% relative humidity, maximum, non-condensing
Operating altitude	0 to 15,000 ft. (0 to 4.6 km)

<sup>†</sup> Support of the audio function is operating system dependent.

## *Product Notes for Sun<sup>TM</sup>*

---

*This appendix provides information for the system administrator. It should be read before installing and using the drive with a host operating under the SunOS 4.1.x and Solaris 2.x operating systems.*

---

### **B.1 SunOS 4.1.x**

#### **B.1.1 Load Device**

Any CD-ROM used as a load device to install SunOS 4.1.x must be configured for a SCSI target ID of 6. After the operating system has been installed, the drive can be set to any other valid SCSI ID if you edit your config file and rebuild the kernel. For more information, consult the SunOS documentation.

#### **B.1.2 Boot Message**

During system boot, a message similar to the following is normally generated by the host:

```
sr0: Unrecognized Vendor 'DEC ', product 'RRD43(C)DEC 'sr0 at esp0
target 6 lun 0
```

This message indicates that the CD-ROM has been installed and configured correctly by the operating system and is ready for use.

#### **B.1.3 Adding a Second CD-ROM**

A second or multiple CD-ROM drives can be added by re-building the kernel. You will need to know the target ID and which SCSI bus the existing drives are connected to. For additional information concerning "adding devices", consult the SunOS documentation.

## B.2 Solaris 2.x

### B.2.1 Load Device

If you are installing Solaris 2.x using the CD-ROM and your drive is not configured for a SCSI target ID of 6, instead of typing "boot cdrom" you must type the following at the console prompt:

```
boot /sbus/esp@0,80000/sd@X,0:c
```

where, **X** is the target ID of your CD-ROM drive.

Once Solaris is installed, the default CD-ROM driver target ID is set to 6. If your drive is at some other ID, you must make a symbolic link to it.

For example, the default is: `sr0 -> dsk/c0t6d0s2`

If your drive is at SCSI ID 5, then type the following at the shell as root:

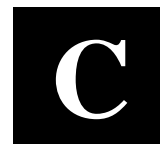
```
# cd /dev
# rm sr0
# umask 0
# ln -s dsk/c0t5d0s2 sr0
```

### B.2.2 Adding a Second CD-ROM

A second or multiple CD-ROM drives can be added by re-configuring the kernel. Under Solaris, this is done using the "-r" switch at boot time. After installing your drive, type:

```
"boot -r" at the boot prompt.
```

After the kernel re-configures and the system has booted, you must create a symbolic link for any drive that does not have a target ID of 6. For example, if you have CD-ROM drives at target ID 5 and 6, you must create a symbolic link for the drive at ID 5. The drive at ID 6 has a symbolic link by default. Refer to the example in section B.2.1 above for information describing how to add a symbolic link.



## *Product Notes for Novell Netware™ and MS-DOS™*

---

*This appendix provides information for the system administrator. It should be read before installing and using the CD-ROM drive in a host system operating under the Novell, MS-DOS, or MS-DOS/WINDOWS operating systems.*

---

### **C.1 Host SCSI Interface**

#### **CAUTION**

Novell's CDROM.NLM module does not support the "hot swapping" of the CD-ROM SBB. Therefore, when using the CDROM.NLM module, **do not remove** the SBB from a StorageWorks enclosure while running the NetWare™ server. Always unload the module before removing the SBB from the storage subsystem.

The CD-ROM drive utilizes the standard SCSI-2 command set to interface to the PC-based host system. Therefore, the host system must be equipped with a SCSI adapter to properly interface the CD-ROM with the host. For example, the host SCSI adapter might interface the computer's EISA bus to the SCSI-2 port of the SBB.

A host PC SCSI adapter is normally supplied with a compatible software driver for use with its operating system. When operating under Novell and MS-DOS, the software driver must be pre-loaded in accordance with the SCSI adapter manufacturer's installation procedure to ensure a proper interface between the SBB and the host. In addition, third party software may be required to access the drive.

Before purchasing a user-level software product, ensure that the drive is supported by that product (see note below). Third party product vendors usually publish a supported hardware list, or have telephone technical support personnel who will answer questions regarding compatibility of a particular drive. When choosing a software product suitable for your application, follow the software vendor's installation procedure to implement support for your CD-ROM drive. Finally, if your host is operating under Netware, Novell Inc. provides a NetWare Loadable Module (NLM) called "CDROM.NLM" with some of its operating systems. This module is compatible with the SWXOR series of CD-ROM drives.

#### **NOTE**

The SWXOR drive SBB is functionally equivalent to the RRD43 (DEC part no.) CD-ROM drive. Commercial software products that support the RRD43 will also support the SWXOR-series units.

## **A**

Address switch  
    I/O module, 2-18  
    Location, 2-1, 2-2  
    Settings, 2-3  
Audio capability, 1-1

## **B**

Bezel attachment to SBB, 2-20  
Busy LED  
    Function, 3-2  
    Power on sequence, 2-4

## **C**

Configurations, 1-1  
Configuration guide, 2-11  
Controls and indicator, 3-1, 3-2

## **D**

Desktop expansion unit  
    Cover latch release, 2-7  
    Cover tabs, 2-7  
    Installing 5.25-inch device, 2-6  
    Security screws, 2-6  
Device addresses, 2-3, 2-18  
Device address switches, 2-1, 2-2, 2-18  
Disk care, 3-4  
Disk handling, 2-5

## **E**

Ejecting the CD drawer, 3-3  
Ejecting a CD manually, 3-3  
Eject push button, 3-2, 3-3  
Electrostatic discharge, 2-6, 2-11  
Emergency eject hole, 3-3

## **E (Con't)**

Expansion storage pedestal, 1-2, 2-3

## **F**

Folding CD-ROM I/O cable, 2-17

## **H**

Headphone  
    Jack, 1-1, 3-1  
    Level control, 3-1  
Hot swap method, 2-3

## **I**

Installing CD-ROM SBB into expansion  
    storage pedestal, 2-3  
Installing CD-ROM into desktop expansion  
    unit, 2-6  
Installing a second CD-ROM into 5.25-inch  
    SBB, 2-11  
I/O module address switch, 2-18

## **L**

Loading a disk into the drive, 2-5, 3-2

## **M**

Models, 1-1, 1-2, 2-1

## **O**

Opening the drive drawer, 3-3  
Operation and maintenance, 3-1  
Option kit contents, 2-12



## **P**

---

Packing material, 2-1  
Preventive maintenance, 3-4  
Power on self test (POST), 2-4  
Product description, 1-1  
Product notes, B-1, C-1

## **R**

---

Removing drive from expansion unit, 2-10

## **S**

---

SBB description, 1-1, 2-11,  
2-12  
SCSI, 1-1  
    Device addresses, 2-1, 2-2, 2-3, 2-18  
SCSI ID switches, 2-1, 2-2, 2-3, 2-18  
Setting address of CD-ROM, 2-1, 2-2, 2-  
18  
Security screws, 2-6  
Specifications, A-1  
Shipping boxes, 2-1  
Status indicator LED, 3-1, 3-2  
Storage device, 1-1, 1-2  
    Device addresses, 2-1, 2-2, 2-18  
    Installation, 2-3  
Storage subsystem, 1-1

## **U**

---

Unpacking, 2-1

# Reader's Comments

Manual Order Number:

EK-SMIRC-UG.

B01

## SWXOR Series 600 MB, 5.25-Inch, Dual-Speed CD-ROM Drive

Digital is committed to providing the best possible products and services. Since our manuals are important components of our products, we value your comments, corrections, and suggestions for improvements. Please take a few minutes to fill out and return this form, attaching additional sheets, if needed. Thank you.

Manual Rating	Excellent	Good	Fair	Poor
Accuracy (correct presentation of facts)	[ ]	[ ]	[ ]	[ ]
Completeness (adequate information)	[ ]	[ ]	[ ]	[ ]
Clarity (easy to understand)	[ ]	[ ]	[ ]	[ ]
Organization (logical sequence of information)	[ ]	[ ]	[ ]	[ ]
Layout (easy to follow subject matter)	[ ]	[ ]	[ ]	[ ]
Indexing (easy to locate desired information)	[ ]	[ ]	[ ]	[ ]

**Errors Noted** (please include page, paragraph, table or figure number)

---

---

---

**Most-Liked Features**

---

---

---

**Least-Liked Features**

---

---

---

**Suggestions for Improvement**

---

---

---

**Return Address:**

Customer Research  
Response Center  
Attn: Nan Andrews Amish  
Digital Equipment Corporation  
334 South Street, SHR3-2/S27  
Shrewsbury, MA 01545

Name Phone

Title

Company

Street Address

Mail Stop

City State ZIP

Country (if other than USA)