

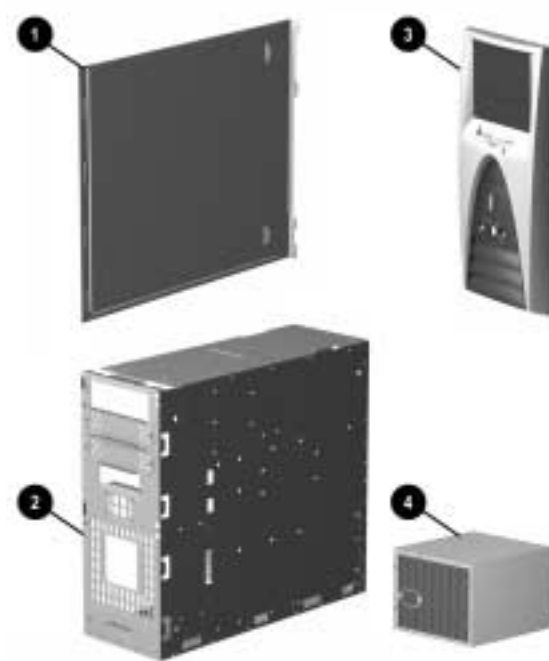
Compaq Evo Workstation

W8000

Illustrated Parts Map

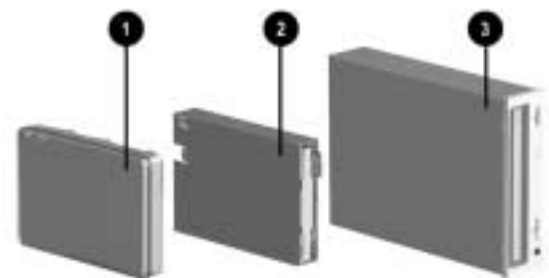


COMPAQ



System Unit

1	Access panel	Not spared
2	Chassis/basepan	Not spared
3	Front bezel assembly	239328-001
4	Power supply assembly, includes PFC power supply and power supply air baffle, dual voltage	202349-001
*	VRM, power supply	239327-001



Mass Storage Devices

1	18.2-GB SCSI hard drive (10000 rpm)	229737-001
*	18.2-GB U3 SCSI hard drive (15000 rpm)	194585-001
*	36.2 GB U3 SCSI hard drive (10000 rpm)	192197-001
*	20-GB UATA hard drive (7200 rpm)	180475-001
*	80-GB UATA hard drive (7200 rpm)	250185-001
2	Diskette drive, 3.5-inch, buttonless, carbon	237180-001
3	48X CD-ROM drive	232320-001
*	Writeable CD drive, 12X/8X/32X, carbon	232315-001
*	DVD-RAM, drive, 4.7-GB, carbon	232318-001
*	Zip drive, 250-MB, carbon	232317-001

*Not shown

© 2002 Compaq Computer Corporation.

Compaq, the Compaq logo, and EVO are trademarks of Compaq Information Technologies Group, L.P.

Intel and Pentium are trademarks of Intel Corporation.

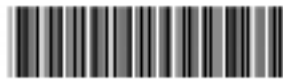
All other product names mentioned herein may be trademarks of their respective companies.

Compaq shall not be liable for technical or editorial errors or omissions contained herein. The information in this document is provided "as is" without warranty of any kind and is subject to change without notice. The warranties for Compaq products are set forth in the express limited warranty statements accompanying such products. **Nothing herein should be construed as constituting an additional warranty.**

February 2002

Part Number

229691-003



Spare Part Number

229782-001



Miscellaneous Parts

1	92-mm fan (front fan)	158275-001
*	92-mm fan (air plenum fan)	239332-001
*	92-mm fan (rear fan)	166922-001
2	Front power button, LED, I/O board	226982-001
3	Speaker (40mm x 70mm)	180809-001
4	Battery	153099-001
*	Drive cage with thumbscrews	338557-001
*	Mouse, 3-button, carbon	232616-001
*	Mouse, carbon	165000-001
*	Main air baffle	239334-001
*	Shipping box	244889-001

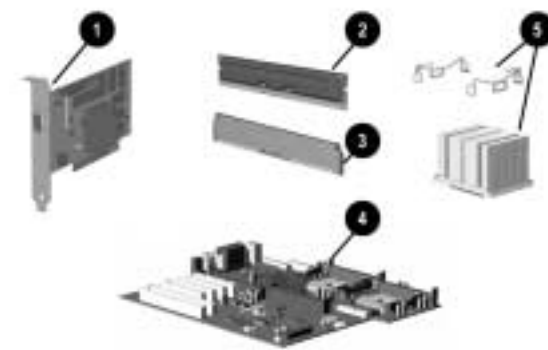
*Not shown

Documentation and Software (not illustrated)

<i>Illustrated Parts Map</i>	229782-001
<i>Maintenance and Service Guide</i>	229781-001
<i>Quick Troubleshooting Guide</i>	153837-001

Keyboards (not illustrated)

Easy Access Keyboard		164996-xxx	
US	-001	French Canadian	-121
UK	-031	LA Spanish	-161
German	-041	Japanese	-191
French	-051	PRC	-AA1
Italian	-061	Taiwanese	-AB1
Spanish	-071	Korean (Hanguel)	-AD1
Swiss	-111	International	-B31



Standard and Optional Boards

Graphics Controllers		
1	nVidia 15GL, 64-MB Graphics Board	225829-001
*	nVidia Quadro2 MXR Graphics Board	221492-001
*	Matrox G200 Graphics Board	171975-001
*	Matrox 450 32MB AGP Graphics Board	203626-001
*	Matrox G550 AGP Graphics Board	253275-001
Memory Module, 800MHz		
2	RDRAM, 128-MB	157112-001
*	RDRAM, 256-MB	161454-001
*	RDRAM, 512-MB	239067-001
3	CRIMM (2 ea.)	158265-001
*	Memory PCA-8 RIMM	158284-001
4	System board	254544-001
Intel Xeon Processor		
*	1.4-GHz with 256 KB cache	239060-001
*	1.5-GHz with 256 KB cache	239061-001
*	1.7-GHz with 256 KB cache	239062-001
*	2.0-GHz with 256 KB cache	253072-001
*	1.8 GHz processor with 512 KB cache#	278543-001
*	2.0-GHz processor with 512 KB cache#	278544-001
*	2.2-GHz processor with 512 KB cache#	278545-001
5	Heatsink, with clips and alcohol pad (1.4 to 1.7 GHz)	239111-001
	Heatsink, with copper plate and thermal grease (1.8 GHz and above)	255354-001
*	8-RIMM Memory Expansion Board	230314-001
*	3COM 10/100 3C905C-TX NIC	118042-001

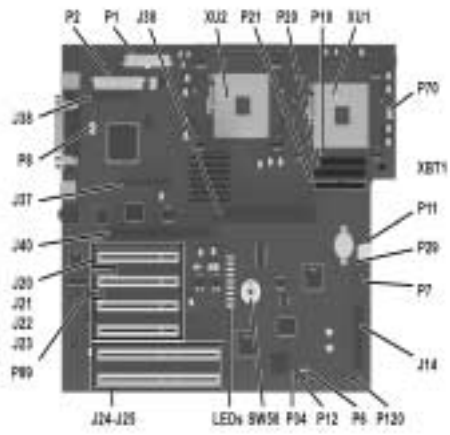
*Not shown
#Requires 1.15 or later system BIOS to recognize the cache.



Cables

1	Diskette drive cable, 16"	239330-001
*	Diskette drive cable, 14.5", w/o green tab	239329-001
2#	UATA dual connector, 18", with pull tabs	239331-001
3	CD-ROM drive audio cable, 21"	149806-001
4#	UATA dual connector, 18", without pull tabs	239064-001
4#	UATA dual connector, 18", without pull tabs	225881-001
*#	UATA dual connector, 18"	224484-001
5	SCSI LVD twisted pair 5-device data cable, 51.75" lg (269157-003)	164412-001
5	SCSI Wide 5-device data cable, 46.5" lg (155825-002)	402222-001
*	Dual serial port cable	164536-001
*	G200 quad, analog cable 12" lg, 2 ea. (168754-001) with board retaining washer (for use with Matrox G200 MMS graphics board #171975-001)	171976-001
*	Cable kit, contains:	254551-001
	G200 quad, analog cable 12" lg (168754-001)	
	G200 quad, digital cable, 72" lg (168754-002)	

* Not shown
Cables are interchangeable



Connectors and Jumpers

E1	Bus Parking Disable Header	P10	Diskette Drive Connector
J2	VRM Socket B	P11	Auxiliary Audio-in Connector
J14	Front I/O Board Connector	P12	Alert-On-LAN (AOL) Connector
J19	VRM Socket A	P20	Primary Ultra ATA Connector
J20-23	Four 32-bit, 33-MHz PCI Sockets	P21	Secondary Ultra ATA Connector
J24-25	64-Bit, 66-MHz PCI Sockets	P29	SCSI Led Connector
J30	Memory expansion board socket	P34	Boot Block Protection Disable Header
J37	Ultra 160 SCSI Connector (Channel A)	P49	Power-On Password Enable Jumper
J38	Ultra 160 SCSI Connector (Channel B)	P70	Processor Fan Connector
J40	1.5V AGP Pro Socket	P89	Serial Port Connector
LEDs	Troubleshooting LEDs	P120	Front Fan Connector
P1	24-Pin Power Supply Connector	SW50	Clear CMOS button
P2	22-Pin Power Supply Connector	XBT1	Battery
P6	Front Speaker Connector	XU1	Primary Processor Socket
P7	Audio Connector	XU2	Secondary Processor Socket
P8	Rear Fan Connector		

System Hardware Interrupts (PIC Mode)

IRQ	System Function	IRQ	System Function
0	Timer Interrupt	8	System CMOS/Real-Time Clock
1	Keyboard	9	Unused
2	Unused	10	Video controller Intel 8255-based embedded NIC
3	Serial Port (COM 2)	11	Adaptec AIC-7892 embedded SCSI channel 1 Standard USB controller 1
4	Serial Port (COM 1)	12	Mouse
5	Adaptec AIC-7899 embedded SCSI channel 1 Creative ES1371/1373 embedded audio Standard USB controller 2	13	Numeric Data Processor
6	Diskette Drive	14	Primary ATA (IDE) Controller
7	Parallel Port (LPT 1)	15	Secondary ATA (IDE) Controller

System Hardware Interrupts (IO APIC Mode)

IRQ	System Function	IRQ	System Function
0	System Timer	12	Mouse
1	Keyboard	13	Numeric Data Processor
2	Unused	14	Primary IDE Controller
3	Serial Port (COM 2)	15	Secondary IDE Controller
4	Serial Port (COM 1)	16	Adaptec AIC-7899 embedded SCSI channel 2
5	Unused	17	Intel 8255-based embedded NIC
6	Diskette Drive	18	Video controller
7	Parallel Port (LPT 1)	19	Standard USB controller 2
8	System CMOS/Real-Time Clock	20	Creative ES1371/1373 embedded audio
9	ACPI-compliant system	21	Unused
10	Unused	22	Adaptec AIC-7899 embedded SCSI channel 1
11	Unused	23	Standard USB controller 1

System Hardware DMA

DMA	System Function	DMA	System Function
0	Unused	4	DMA Controller Cascading
1	Unused	5	Unused
2	Diskette Drive	6	Unused
3	ECP Parallel Port LPT1 (Default; Alternate = DMA 0)	7	Unused

System I/O

I/O Address (Hex)	System Function
000-01F	DMA controller
020-02D	Interrupt controller
02E-02F	Super I/O index/data registers
030-03F	Interrupt controller
040-043	Programmable interval timers (PIT)
044-047	Unused
048-04B	PIT
04C-04D	Unused
04E-04F	Super I/O index/data register alternative
050-053	PIT
054-05F	Unused
060	Keyboard controller
061	System control port B
062-063	Unused
064	Keyboard controller
065-06F	Unused

System I/O (Continued)

I/O Address (Hex)	System Function
070-071	System CMOS/Real-time clock
072-077	CMOS storage
078-07F	Unused
080-091	DMA controller
092	System control port A
093-09F	DMA controller
0A0-0B1	Interrupt controller
0B2-0B3	Power management
0B4-0BF	Interrupt controller
0C0-0DF	DMA controller
0E0-0EF	Unused
0F0-0FF	Numeric data processor
100-16F	Unused
170-177	Secondary IDE channel
178-1EF	Unused
1F0-1F7	Primary IDE channel
1F8-273	Unused
2F8-2FF	Communication port (COM 2)
300-375	Unused
376	Secondary IDE channel
377	Unused
378-37F	Parallel port 2/LPT1
380-3AF	Unused
3B0-3BB	EGA/VGA
3BC-3BF	Parallel port 1
3C0-3DF	EGA/VGA
3E0-3EF	Unused
3F0-3F5	Standard floppy disk controller
3F6	Primary IDE channel
3F7	Standard floppy disk controller
3F8-3FF	Communications port (COM 1)
400-47F	Super IO interface
480-4CF	Unused
4D0-4D1	Interrupt controller
4D2-777	Unused
778-77D	LPT1
77E-A78	Unused
A79	ISA PNP read data port
A80-CF7	Unused
CF8-CFF	PCI configuration interface
D00-F7FF	Available IO range for PCI IO requests
F800-FA3F	ICH2 power management interface
FC00-FC0F	ICH2 SMBUS interface
FC10-FFFF	Available IO range for PCI IO requests

System Memory Map

Size	Memory Address	System Function
512 KB	FFFFFFFFh to FFF80000h	System ROM
3584 KB	FFF7FFFFh to FFC00000h	High BIOS, optional extended SMRAM
512 KB	FFBFFFFh to FFB800000h	Intel 82802 Firmware hub
11776 KB	FFB7FFFFh to FF000000h	High BIOS, optional extended SMRAM
1024 KB	FEFFFFFFh to FEF00000h	MCH hub interface_A
1024 KB	FEEFFFFFFh to FEE00000h	Local APIC space
1024 KB	FEDFFFFFFh to FED00000h	MCH hub interface_A
512 KB	FECFFFFFFh to FEC82000h	MCH hub interface_D-E IOAPIC space
512 KB	FEC81FFFFh to FEC81000h	MCH hub interface_C IOAPIC space
512 KB	FEC80FFFFh to FEC80000h	MCH hub interface_B IOAPIC space
512 KB	FEC7FFFFh to FEC00000h	MCH hub interface_A IOAPIC space
Depends on memory installed	FEB7FFFFh to TOM (Top of Memory)	Region allowed for AGP/PCI, Aperture, and MCH hub interface _D-E windows
64 KB (However, USB buffer is not applicable to all system configurations.)	TOM (Top of Memory) 1 to TOM - 64 KB	USB memory buffers
Depends on memory installed	TOM (Top of Memory) 64 KB - 1 to 01000000h	HOST memory expansion
1024 KB	00FFFFFFh to 00F00000h	ISA hole
14336 KB	00EFFFFFFh to 00100000h	HOST memory expansion
64 KB	000FFFFFFh to 000F0000h	System BIOS region
64 KB	000EFFFFFFh to 000E0000h	Extended BIOS region
128 KB	000DFFFFFFh to 000C0000h	ISA expansion region
128 KB	000BFFFFFFh to 000A0000h	Video RAM
640 KB	0009FFFFFFh to 00000000h	Base memory

Clearing CMOS

The computer's configuration (CMOS) may occasionally be corrupted. If it does, it is necessary to clear the CMOS memory using switch SW50.

To clear and reset the configuration, perform the following procedure:

1. Prepare the computer for disassembly.

2. Remove the access panel.
3. Press the CMOS button located on the system board and keep it depressed for 5 seconds.
4. Replace the access panel.
5. Turn the computer on.
6. Run F10 Computer Setup (delete-utility) to reconfigure the system.

Disabling or Clearing the Power-On and Setup Passwords

1. Turn off the computer and any external devices, and disconnect the power cord from the power outlet.
2. Remove the access panel.
3. Locate the header and jumper labeled P49.
4. Remove the jumper from pins 1 and 2. Place the jumper over pin 2 only, in order to avoid losing it.
5. Replace the access panel.
6. Reconnect the external equipment.
7. Plug in the computer and turn on power. Allow the operating system to start. This clears the current passwords and disables the password features.
8. To re-enable the password features, repeat steps 1-4, then replace the jumper on pins 1 and 2.
9. Repeat steps 6-8, then establish new passwords.

Refer to the Computer Setup (F10 Setup) instructions to establish new passwords.