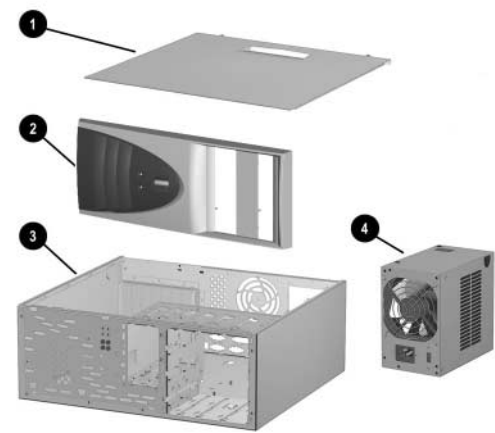


# Compaq Evo W6000 Workstation

Illustrated Parts Map



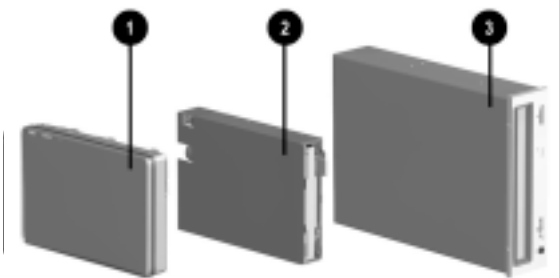
## COMPAQ



### System Unit

1	Access panel	Not spared
2	Front bezel assembly	239066-001 A
3	Chassis/basepan	Not spared
4	Power supply, PFC	202348-001 B

\*Not shown



### Mass Storage Devices

1	Diskette drive, 3.5-inch, buttonless, carbon	237180-001	B
2	48X CD-ROM drive, carbon	232320-001	B
3	18.2-GB U3 SCSI hard drive (10000 rpm)	229737-001	B
*	18.2-GB U3 SCSI hard drive (15000 rpm)	194585-001	B
*	36.2-GB U3 SCSI hard drive (10000 rpm)	192197-001	B
*	20-GB UATA hard drive (7200 rpm)	180475-001	B
*	40-GB QUIET hard drive (10000 rpm)	202904-001	B
*	32X Max CD-RW drive, carbon	232315-001	B
*	DVD-RAM, drive, 4.7-GB, carbon	232318-001	B
*	Zip drive, 250-MB, carbon	232317-001	B

\*Not shown

### Documentation and Software (not illustrated)

Illustrated Parts Map	235551-001
Service Reference Guide	225698-001
Quick Troubleshooting Guide	153837-001

© 2001 Compaq Computer Corporation.

Compaq, the Compaq logo, Evo Registered in U. S. Patent and Trademark Office.

Microsoft, MS-DOS, Windows, Windows NT are trademarks of Microsoft Corporation in the United States and other countries.

Intel and Pentium are trademarks of Intel Corporation in the United States and other countries.

All other product names mentioned herein may be trademarks of their respective companies.

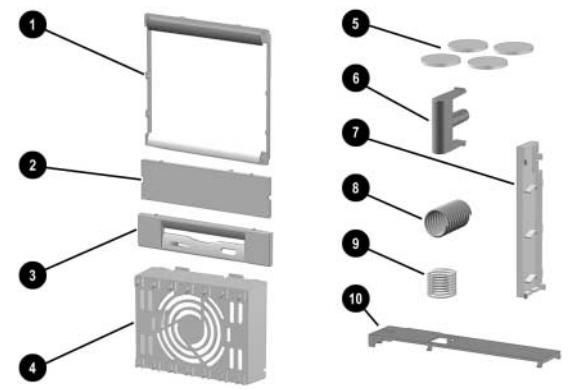
Compaq shall not be liable for technical or editorial errors or omissions contained herein. The information in this document is provided "as is" without warranty of any kind and is subject to change without notice. The warranties for Compaq products are set forth in the express limited warranty statements accompanying such products. **Nothing herein should be construed as constituting an additional warranty.**

May 2001

Part Number 235178-001



Spare Part Number 235551-001



### Miscellaneous Plastics Kit

Miscellaneous Plastics Kit, includes:		166878-001	A
1	Panel, sub (166835-001) (not this product)		
2	Bezel, blank (166775-001) (not this product)		
3	Diskette drive bezel (166776-001)		
4	Card guide (166778-001)		
5	Foot, rubber (4 ea.) (166939-002) (not this product)		
6	Button, power (166774-001) (not this product)		
7	Drivelock, DT (166779-001)		
8	Spring, power button (166837-001) (not this product)		
9	Springs, drivelock (2 ea.) (166837-002)		
10	Drivelock, MT (166780-001)		
*	Retention mechanism (2 ea.) (350767-001)		

\*Not shown

### Miscellaneous Plastics Kit

Miscellaneous Plastics Kit, includes:		238687-001	A
1	Panel, sub (166835-012)		
2	Bezel, blank (166775-002)		
5	Foot, rubber (8 ea.) (166939-004)		

### Miscellaneous Parts (not illustrated)

Diskette drive adapter (for bay 3 use only)	239063-001	A
Power switch assembly, includes power switch and cable, and switch mounting bracket	166925-001	A
Fan, 92-mm	239065-001	B
Battery	153099-001	A
Mouse, 3-button, carbon	232616-001	D
Mouse, carbon	165000-001	D
Shipping box	244890-001	

\*Not shown

### Keyboards (not illustrated)

Easy Access Keyboard		164996-xxx	
Arabic	-171	International	-B31
Belgian	-181	Latin American Spanish	-161
Brazilian	-201	Norwegian	-091
*BHCSY	-B41	Polish	-B31
Czech	-221	Portuguese	-131
Danish	-081	Russian	-251
Dutch/Netherlands	-B31	Slovakian	-231
Finnish	-351	Spanish	-071
French	-051	Swedish	-101
French Canadian	-121	Swiss	-111
German	-041	Taiwanese	-AB1
Greek	-151	Thai	-281
Hungarian	-211	Turkish	-141
Italian	-061	UK	-031
Japanese	-191	US	-001
Korean (Hanguel)	-AD1		

\* Bosnia-Herzegovina, Croatia, Slovenia, and Yugoslavia

### Miscellaneous Screw Kit (not illustrated)

Miscellaneous Screw Kit, includes:		179180-001	A
6-32 x 1/4 hi-top, thread-forming screw with serrations (4 ea.) (192308-001)			
6-19 x 5/16 panhead, plastite screw (5 ea.) (101346-068)			
6-19 x .5/16 hi-top, taptite screw with captive washer (4 ea.) (114399-069)			
6-32 x 3/16 hi-top, thread-forming screw with serrations (5 ea.) (192308-003)			
M3 x 5mm, hi-top, taptite screw with serrations (3 ea.) (247348-001)			
6-32 x 3/16 buttonhead tamper-resistant, taptite screw with serrations (4 ea.) (296769-002)			
6-32 x 5/16 hi-top, taptite screw (5 ea.) (109834-568)			
6-19 x 1/2 Panhead, plastite screw (4 ea.) (101346-071)			
Thumbscrew, molded cap (179333-002)			
6-32 x 3/16 buttonhead tamper-resistant, taptite screw with serrations (4 ea.) (296769-002)			

### Cables

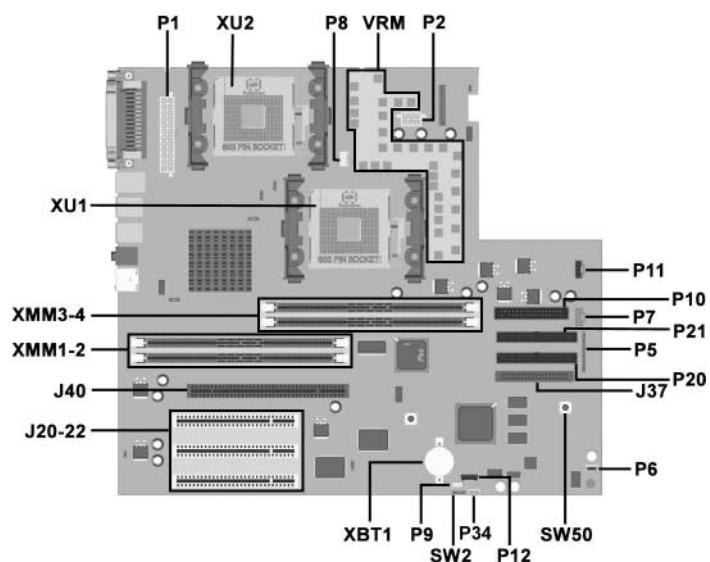
1	CD-ROM audio cable, 21"	149806-001	A
2	Diskette drive cable, 18"	221186-001	A
3#	IDE dual connection, 18", 13.75" between system board and connector 1	225881-001	A
3#	IDE dual connection, 18", 13.75" between system board and connector 1	239064-001	A
*	IDE dual connection, 18", 12" between system board and connector 1	224484-001	A
*	SCSI cable w/twist, three-device	158277-001	A
*	G200 Quad, Analog Cable (for use with Matrox G200 MMS Graphics Board)	171976-001	A

\* Not shown

# Cables are interchangeable

### Standard and Optional Boards (not illustrated)

System Board, 815e chipset	239059-001	B
Heatsink, with clips and alcohol pad	239111-001	B
Intel Pentium Processor		
1.4-GHz, with alcohol pad and thermal pad	239060-001	B
1.5-GHz, with alcohol pad and thermal pad	239061-001	B
1.7-GHz, with alcohol pad and thermal pad	239062-001	B
Memory Module, 800MHz		
RDRAM, 128-MB	157112-001	A
RDRAM, 256-MB	161454-001	A
RDRAM, 512-MB	239067-001	A
CRIMM (2 ea.)	158265-001	A
Graphics Controllers		
nVidia 15GL, 64-MB, AGP/AT	225829-001	B
nVidia Quadro2 MXR Graphics Board	221492-001	B
Matrox 450 32MB AGP Graphics Board	203626-001	B
Matrox G200 MMS Graphics Board	171975-001	B
Network Interface Controller (NIC) 10/100	118042-001	A



#### Connectors and Jumpers

J20-22	Three 32-bit, 33-MHz PCI Sockets	P12	Alert-On-LAN (AOL) Connector
J37	Ultra 160 SCSI Connector	P20	Primary Ultra ATA Connector
J40	AGP Pro Socket	P21	Secondary Ultra ATA Connector
P1	24-Pin Power Supply Connector	P34	Power-On Password Enable Jumper
P2	6-Pin Power Supply Connector	SW2	Smart Cover Sensor
P5	Power Switch Connector	SW50	CMOS Reset Switch
P6	Internal Speaker Connector	VRM	Embedded Voltage Regulator Module
P7	Audio Connector	XBT1	Battery
P8	Rear Fan Connector	XMM1-2	Channel A RIMM Socket
P9	Wake-On-LAN Connector (WOL)	XMM3-4	Channel B RIMM Socket
P10	Diskette Drive Connector	XU1	Primary Processor Socket
P11	CD-ROM Audio Connector	XU2	Secondary Processor Socket

#### System Hardware Interrupts (PIC Mode)

IRQ	System Function	IRQ	System Function
0	Timer Interrupt	8	System CMOS/Real-Time Clock
1	Keyboard	9	Unused
2	Unused	10	Standard USB controller 2 Intel PRO/100 VM embedded NIC
3	Serial Port (COM 2)	11	Adaptec AIC-7892 embedded SCSI controller Standard USB controller 1
4	Serial Port (COM 1)	12	Mouse
5	Video Controller Creative ES1371/1373 embedded audio	13	Numeric Data Processor
6	Diskette Drive	14	Primary IDE Controller
7	Parallel Port (LPT 1)	15	Secondary IDE Controller

#### System Hardware Interrupts (IO APIC Mode)

IRQ	System Function	IRQ	System Function
0	System Timer	12	Mouse
1	Keyboard	13	Numeric Data Processor
2	Unused	14	Primary IDE Controller
3	Serial Port (COM 2)	15	Secondary IDE Controller
4	Serial Port (COM 1)	16	Unused
5	Unused	17	Creative ES1371/1373 embedded audio
6	Diskette Drive	18	Video controller
7	Parallel Port (LPT 1)	19	Standard USB controller 2
8	System CMOS/Real-Time Clock	20	Intel PRO/100 VM embedded NIC
9	ACPI-compliant system	21	Unused
10	Unused	22	Adaptec AIC-7892 embedded SCSI controller
11	Unused	23	Standard USB controller 1

#### System Hardware DMA

DMA	System Function	DMA	System Function
0	Unused	4	DMA Controller Cascading
1	Unused	5	Unused
2	Diskette Drive	6	Unused
3	ECP Parallel Port LPT1 (Default; Alternate = DMA 0)	7	Unused

#### System I/O

I/O Address (Hex)	System Function
000-01F	DMA controller
020-02D	Interrupt controller
02E-02F	Super I/O index/data registers
030-03F	Interrupt controller
040-043	Programmable interval timers (PIT)
044-047	Unused
048-04B	PIT
04C-04D	Unused
04E-04F	Super I/O index/data register alternative
050-053	PIT
054-05F	Unused
060	Keyboard controller
061	System control port B
062-063	Unused
064	Keyboard controller
065-06F	Unused
070-071	System CMOS/Real-time clock
072-077	CMOS storage
078-07F	Unused

#### System I/O (Continued)

I/O Address (Hex)	System Function
080-091	DMA controller
092	System control port A
093-09F	DMA controller
0A0-0B1	Interrupt controller
0B2-0B3	Power management
0B4-0BF	Interrupt controller
0C0-0DF	DMA controller
0E0-0EF	Unused
0F0-0FF	Numeric data processor
100-16F	Unused
170-177	Secondary IDE channel
178-1EF	Unused
1F0-1F7	Primary IDE channel
1F8-273	Unused
274-277	ISA PNP read data port
278-27A	Parallel port #3
27B-2F7	Unused
2F8-2FF	Communication port (COM 2)
300-375	Unused
376	Secondary IDE channel
377	Unused
378-37F	Parallel port 2/LPT1
380-3AF	Unused
3B0-3BB	EGA/VGA
3BC-3BF	Parallel port 1
3C0-3DF	EGA/VGA
3E0-3EF	Unused
3F0-3F5	Standard floppy disk controller
3F6	Primary IDE channel
3F7	Standard floppy disk controller
3F8-3FF	Communications port (COM 1)
400-47F	Super IO interface
480-4CF	Unused
4D0-4D1	Interrupt controller
4D2-777	Unused
778-77D	LPT1
77E-A78	Unused
A79	ISA PNP read data port
A80-CF7	Unused
CF8-CFF	PCI configuration interface
D00-F7FF	Available IO range for PCI IO requests
F800-FA3F	ICH2 power management interface
FC00-FC0F	ICH2 SMBUS interface
FC10-FFFF	Available IO range for PCI IO requests

#### System Memory Map

Size	Memory Address	System Function
512 KB	FFFFFFFFh to FFF80000h	System ROM
3584 KB	FFF7FFFFh to FFC00000h	High BIOS, optional extended SMRAM
512 KB	FFBFFFFFh to FFB800000h	Intel 82802 Firmware hub
11776 KB	FFB7FFFFh to FF000000h	High BIOS, optional extended SMRAM
1024 KB	FEFFFFFFh to FEF00000h	MCH hub interface_A
1024 KB	FEFFFFFFh to FEE00000h	Local APIC space
1024 KB	FEDFFFFFFh to FED00000h	MCH hub interface_A
512 KB	FECFFFFFFh to FEC82000h	MCH hub interface_D-E IOAPIC space
512 KB	FEC81FFFh to FEC81000h	MCH hub interface_C IOAPIC space
512 KB	FEC80FFFh to FEC80000h	MCH hub interface_B IOAPIC space
512 KB	FEC7FFFFh to FEC00000h	MCH hub interface_A IOAPIC space
Depends on memory installed	FEB7FFFFh to TOM (Top of Memory)	Region allowed for AGP/PCI, Aperature, and MCH hub interface _D-E windows
64 KB (However, USB buffer is not applicable to all system configurations.)	TOM (Top of Memory) 1 to TOM - 64 KB	USB memory buffers
Depends on memory installed	TOM (Top of Memory) - 64 KB 1 to 01000000h	HOST memory expansion
1024 KB	00FFFFFFh to 00F00000h	ISA hole
14336 KB	00EFFFFFFh to 00100000h	HOST memory expansion
64 KB	000FFFFFFh to 000F0000h	System BIOS region
64 KB	000EFFFFFFh to 000E0000h	Extended BIOS region
128 KB	000DFFFFFFh to 000C0000h	ISA expansion region
128 KB	000BFFFFFFh to 000A0000h	Video RAM
640 KB	0009FFFFFFh to 00000000h	Base memory

#### Clearing CMOS

The computer's configuration (CMOS) may occasionally be corrupted. If it does, it is necessary to clear the CMOS memory using switch SW2.

To clear and reset the configuration, perform the following procedure:

1. Prepare the computer for disassembly.

**CAUTION:** The power cord must be disconnected from the power source before pushing the Clear CMOS Button (NOTE: All LEDs on the board should be OFF). Failure to do so may damage the system board

2. Remove the access panel.
3. Press the CMOS button located on the system board and keep it depressed for 5 seconds.
4. Replace the access panel.
5. Turn the computer on.
6. Run F10 Computer Setup (delete-utility) to reconfigure the system.

#### Disabling or Clearing the Power-On and Setup Passwords

1. Turn off the computer and any external devices, and disconnect the power cord from the power outlet.
2. Remove the access panel.
3. Locate the header and jumper labeled E49.
4. Remove the jumper from pins 1 and 2. Place the jumper over pin 2 only, in order to avoid losing it.
5. Replace the access panel.
6. Reconnect the external equipment.
7. Plug in the computer and turn on power. Allow the operating system to start. This clears the current passwords and disables the password features.
8. To re-enable the password features, repeat steps 1-4, then replace the jumper on pins 1 and 2.
9. Repeat steps 6-8, then establish new passwords.

Refer to the Computer Setup (F10 Setup) instructions to establish new passwords.