



IBM Mobile Systems  
ThinkPad Computer  
Hardware Maintenance Manual

**January 2003**

**This manual supports: ThinkPad R40**

**Note**

Before using this information and the product it supports, be sure to read the general information under “Notices” on page 173.

**First Edition (February 2003)**

**The following paragraph does not apply to the United Kingdom or any country where such provisions are inconsistent with local law:**

INTERNATIONAL BUSINESS MACHINES CORPORATION PROVIDES THIS PUBLICATION “AS IS” WITHOUT ANY WARRANTY OF ANY KIND, EITHER EXPRESS OR IMPLIED, INCLUDING, BUT NOT LIMITED TO, THE LIMITED WARRANTIES OF MERCHANTABILITY OR FITNESS FOR A PARTICULAR PURPOSE. Some states do not allow disclaimer or express or implied warranties in certain transactions; therefore, this statement may not apply to you.

This publication could include technical inaccuracies or typographical errors. Changes are periodically made to the information herein; these changes will be incorporated in new editions of the publication. IBM may make improvements or changes to the products or the programs described in this publication at any time.

It is possible that this publication may contain references to, or information about, IBM products (machines and programs), programming, or services that are not announced in your country. Such references or information must not be construed to mean that IBM intends to announce such IBM products, programming, or services in your country.

Requests for technical information about IBM products should be made to your IBM authorized dealer or your IBM marketing representative.

**© Copyright International Business Machines Corporation 2003. All rights reserved.**

US Government Users Restricted Rights – Use, duplication or disclosure restricted by GSA ADP Schedule Contract with IBM Corp.

---

# Contents

<b>About this manual</b> . . . . .	<b>1</b>
<b>Introduction</b> . . . . .	<b>3</b>
Important service information . . . . .	3
Strategy for replacing FRUs . . . . .	3
How to use error messages . . . . .	4
Diskette compatibility matrix . . . . .	4
Safety notices: multilingual translations . . . . .	5
Safety information. . . . .	17
General safety . . . . .	17
Electrical safety . . . . .	18
Safety inspection guide . . . . .	19
Handling devices that are sensitive to electrostatic discharge . . . . .	20
Grounding requirements . . . . .	21
Laser compliance statement. . . . .	22
<b>General descriptions</b> . . . . .	<b>25</b>
Read this first . . . . .	25
What to do first . . . . .	25
Related service information . . . . .	28
Service web site . . . . .	28
Restoring the preloaded system . . . . .	28
Passwords . . . . .	30
Power management . . . . .	32
Checkout guide . . . . .	36
Testing the computer . . . . .	36
Detecting system information with PC-Doctor. . . . .	38
Power system checkout . . . . .	39
<b>ThinkPad R40.</b> . . . . .	<b>43</b>
Product overview . . . . .	45
Specifications . . . . .	45
Status indicators . . . . .	48
FRU tests . . . . .	50
Fn key combinations . . . . .	52
Symptom-to-FRU index . . . . .	53
Numeric error codes . . . . .	53
Error messages . . . . .	56
Beep symptoms . . . . .	57
No-beep symptoms . . . . .	57
LCD-related symptoms . . . . .	58
Intermittent problems . . . . .	59
Undetermined problems . . . . .	59
FRU replacement notices . . . . .	60
Screw notices . . . . .	60
Retaining serial numbers. . . . .	61
Removing and replacing a FRU. . . . .	63
1010 Battery pack. . . . .	64
1020 Ultrabay Plus device . . . . .	65

1030 Hard-disk drive . . . . .	66
1040 DIMM . . . . .	68
1050 Mini PCI adapter . . . . .	70
1060 Keyboard . . . . .	73
1070 Backup battery . . . . .	81
1080 Optical storage in the fixed bay . . . . .	82
1090 PC Card slot assembly . . . . .	85
1100 Hinge cover . . . . .	87
1110 Communication daughter card (CDC) . . . . .	88
1120 Fan assembly . . . . .	94
1130 CPU . . . . .	95
1140 Bluetooth antenna assembly . . . . .	97
1150 LCD assembly . . . . .	98
1160 Keyboard bezel . . . . .	103
1170 Speaker assembly and microphone cable . . . . .	108
1180 System board . . . . .	109
1190 Hard-disk drive slot . . . . .	116
2000 Ultrabay Plus guide rail . . . . .	117
2010 I/O Bracket. . . . .	119
2020 LCD front bezel . . . . .	120
2030 Inverter card . . . . .	121
2040 LCD panel and LCD cable assembly . . . . .	122
2050 Antenna assembly, hinges, and LCD cover . . . . .	124
Locations . . . . .	127
Front view for 2681, 2682, 2683, 2722, 2723, 2724 . . . . .	127
Rear view for 2681, 2682, 2683, 2722, 2723, 2724 . . . . .	129
Bottom view for 2681, 2682, 2683, 2722, 2723, 2724 . . . . .	130
Front view for 2684, 2685 . . . . .	131
Rear view for 2684, 2685 . . . . .	132
Bottom view for 2684, 2685 . . . . .	133
Parts list . . . . .	134
R40 series model matrix . . . . .	134
Overall . . . . .	141
LCD FRUs . . . . .	156
Keyboard . . . . .	160
Recovery CDs . . . . .	161
Miscellaneous parts . . . . .	164
AC adapters . . . . .	167
Telephone cable . . . . .	168
Optional FRUs . . . . .	169
Common parts list . . . . .	171
Notices . . . . .	173
Trademarks . . . . .	173

---

## About this manual

This manual contains service and reference information for IBM ThinkPad R40 product. Use this manual along with the advanced diagnostic tests to troubleshoot problems.

The manual is divided into sections as follows:

- The common sections provide general information, guidelines, and safety information required in servicing computers.
- The product-specific section includes service, reference, and product-specific parts information.

### **Important**

This manual is intended for trained service personnel who are familiar with ThinkPad products. Use this manual along with the advanced diagnostic tests to troubleshoot problems effectively.

Before servicing an IBM ThinkPad product, be sure to review the safety information under “Safety notices: multilingual translations” on page 5, “Safety information” on page 17, and “Laser compliance statement” on page 22.



---

## Introduction

---

### Important service information

#### Important

BIOS and device driver fixes are customer-installable. The BIOS and device drivers are posted on the IBM support site <http://www.ibm.com/pc/support>

Advise customers to contact the PC Company HelpCenter at 800-772-2227 if they need assistance in obtaining or installing any diskette fixes.

Customers in Canada should call IBM HelpPC at 800-565-3344 for assistance or download information.

### Strategy for replacing FRUs

#### Before replacing parts

Make sure that all diskette fixes are installed before replacing any FRUs listed in this manual.

Use the following strategy to prevent unnecessary expense for replacing and servicing FRUs:

- **If you are instructed to replace a FRU but the replacement does not correct the problem, reinstall the original FRU before you continue.**
- Some computers have both a processor board and a system board. If you are instructed to replace either the processor board or the system board, and replacing one of them does not correct the problem, reinstall that board, and then replace the other one.
- If an adapter or device consists of more than one FRU, any of the FRUs may be the cause of the error. Before replacing the adapter or device, remove the FRUs, one by one, to see if the symptoms change. Replace only the FRU that changed the symptoms.

**Attention:** The setup configuration on the computer you are servicing may have been customized. Running Automatic Configuration may alter the settings. Note the current configuration settings (using the View Configuration option); then, when service has been completed, verify that those settings remain in effect.

## **Strategy for replacing a hard-disk drive**

Always try to run a low-level format before replacing a hard-disk drive.

**Attention:** The drive startup sequence in the computer you are servicing may have been changed. Be extremely careful during write operations such as copying, saving, or formatting. If you select an incorrect drive, data or programs can be overwritten.

## **How to use error messages**

Use the error codes displayed on the screen to diagnose failures. If more than one error code is displayed, begin the diagnosis with the first error code. Whatever causes the first error code may also cause false error codes. If no error code is displayed, see if the error symptom is listed in the Symptom-to-FRU Index for the computer you are servicing.

---

## **Diskette compatibility matrix**

The compatibility of each of the drives with the diskettes for it is as follows:

<b>Diskette drive</b>	<b>Diskette capacity</b>	<b>Compatibility</b>
3.5-inch	1.0 MB	Read and write
	2.0 MB	Read and write
	4.0 MB	Not compatible



## Safety notices: multilingual translations

In this manual, safety notices appear in English with a page number reference to the appropriate multilingual, translated safety notice found in this section.

The following safety notices are provided in English, French, German, Hebrew, Italian, and Spanish.

### Safety notice 1

Before the computer is powered-on after FRU replacement, make sure all screws, springs, and other small parts are in place and are not left loose inside the computer. Verify this by shaking the computer and listening for rattling sounds. Metallic parts or metal flakes can cause electrical shorts.

Avant de remettre l'ordinateur sous tension après remplacement d'une unité en clientèle, vérifiez que tous les ressorts, vis et autres pièces sont bien en place et bien fixées. Pour ce faire, secouez l'unité et assurez-vous qu'aucun bruit suspect ne se produit. Des pièces métalliques ou des copeaux de métal pourraient causer un court-circuit.

Bevor nach einem FRU-Austausch der Computer wieder angeschlossen wird, muß sichergestellt werden, daß keine Schrauben, Federn oder andere Kleinteile fehlen oder im Gehäuse vergessen wurden. Der Computer muß geschüttelt und auf Klappergeräusche geprüft werden. Metallteile oder-splitter können Kurzschlüsse erzeugen.

לפני הפעלת המחשב לאחר החלפת FRU יש לוודא שכל הברגים, הקפיצים, וחלקים קטנים אחרים נמצאים במקומם ואינם חופשיים לזוז בתוך המחשב. כדי לוודא זאת, יש לטלטל את המחשב ולהקשיב לגילוי קולות שקשוק. חלקי או שבבי מתכת עלולים לגרום לקצרים חשמליים.

Prima di accendere l'elaboratore dopo che é stata effettuata la sostituzione di una FRU, accertarsi che tutte le viti, le molle e tutte le altri parti di piccole dimensioni siano nella corretta posizione e non siano sparse all'interno dell'elaboratore. Verificare ciò scuotendo l'elaboratore e prestando attenzione ad eventuali rumori; eventuali parti o pezzetti metallici possono provocare cortocircuiti pericolosi.

(continued)

## *Safety notices*

(continuation of safety notice 1)

Antes de encender el sistema despues de sustituir una FRU, compruebe que todos los tornillos, muelles y demás piezas pequeñas se encuentran en su sitio y no se encuentran sueltas dentro del sistema. Compruébelo agitando el sistema y escuchando los posibles ruidos que provocarían. Las piezas metálicas pueden causar cortocircuitos eléctricos.

**Safety notice 2**** DANGER**

Some standby batteries contain a small amount of nickel and cadmium. Do not disassemble a standby battery, recharge it, throw it into fire or water, or short-circuit it. Dispose of the battery as required by local ordinances or regulations. Use only the battery in the appropriate parts listing. Use of an incorrect battery can result in ignition or explosion of the battery.

Certaines batteries de secours contiennent du nickel et du cadmium. Ne les démontez pas, ne les rechargez pas, ne les exposez ni au feu ni à l'eau. Ne les mettez pas en court-circuit. Pour les mettre au rebut, conformez-vous à la réglementation en vigueur. Lorsque vous remplacez la pile de sauvegarde ou celle de l'horloge temps réel, veillez à n'utiliser que les modèles cités dans la liste de pièces détachées adéquate. Une batterie ou une pile inappropriée risque de prendre feu ou d'exploser.

Die Bereitschaftsbatterie, die sich unter dem Diskettenlaufwerk befindet, kann geringe Mengen Nickel und Cadmium enthalten. Sie darf nur durch die Verkaufsstelle oder den IBM Kundendienst ausgetauscht werden. Sie darf nicht zerlegt, wiederaufgeladen, kurzgeschlossen, oder Feuer oder Wasser ausgesetzt werden. Die Batterie kann schwere Verbrennungen oder Verätzungen verursachen. Bei der Entsorgung die örtlichen Bestimmungen für Sondermüll beachten. Beim Ersetzen der Bereitschafts- oder Systematterie nur Batterien des Typs verwenden, der in der Ersatzteilliste aufgeführt ist. Der Einsatz falscher Batterien kann zu Entzündung oder Explosion führen.

(continued)

(continuation of safety notice 2)

סוללות המתנה מסוימות מכילות כמות קטנה של ניקל וקדמיום. אין לפרק סוללת המתנה, לטעון אותה מחדש, להשליך אותה לאש או למים או לקצר אותה. יש לסלק את הסוללה כנדרש על ידי התקנות והחוקים המקומיים. יש להשתמש רק בסוללה המופיעה ברשימת החלקים המתאימה. שימוש בסוללה לא מתאימה עלול לגרום להצתה או התפוצצות של הסוללה.

Alcune batterie di riserva contengono una piccola quantità di nichel e cadmio. Non smontarle, ricaricarle, gettarle nel fuoco o nell'acqua né cortocircuitarle. Smaltirle secondo la normativa in vigore (DPR 915/82, successive disposizioni e disposizioni locali). Quando si sostituisce la batteria dell'RTC (real time clock) o la batteria di supporto, utilizzare soltanto i tipi inseriti nell'appropriato Catalogo parti. L'impiego di una batteria non adatta potrebbe determinare l'incendio o l'esplosione della batteria stessa.

Algunas baterías de reserva contienen una pequeña cantidad de níquel y cadmio. No las desmonte, ni recargue, ni las eche al fuego o al agua ni las cortocircuite. Deséchelas tal como dispone la normativa local. Utilice sólo baterías que se encuentren en la lista de piezas. La utilización de una batería no apropiada puede provocar la ignición o explosión de la misma.

## Safety notice 3



The battery pack contains small amounts of nickel. Do not disassemble it, throw it into fire or water, or short-circuit it. Dispose of the battery pack as required by local ordinances or regulations. Use only the battery in the appropriate parts listing when replacing the battery pack. Use of an incorrect battery can result in ignition or explosion of the battery.

La batterie contient du nickel. Ne la démontez pas, ne l'exposez ni au feu ni à l'eau. Ne la mettez pas en court-circuit. Pour la mettre au rebut, conformez-vous à la réglementation en vigueur. Lorsque vous remplacez la batterie, veillez à n'utiliser que les modèles cités dans la liste de pièces détachées adéquate. En effet, une batterie inappropriée risque de prendre feu ou d'exploser.

Akkus enthalten geringe Mengen von Nickel. Sie dürfen nicht zerlegt, wiederaufgeladen, kurzgeschlossen, oder Feuer oder Wasser ausgesetzt werden. Bei der Entsorgung die örtlichen Bestimmungen für Sondermüll beachten. Beim Ersetzen der Batterie nur Batterien des Typs verwenden, der in der Ersatzteilliste aufgeführt ist. Der Einsatz falscher Batterien kann zu Entzündung oder Explosion führen.

מארז הסוללה מכיל כמות קטנה של ניקל וקדמיום. אין לפרק את מארז הסוללה, להשליך אותו לאש או למים או לקצר אותו. יש לסלק את מארז הסוללה הסוללה כנדרש על ידי התקנות והחוקים המקומיים. יש להשתמש רק בסוללה המופיעה ברשימת החלקים המתאימה בזמן החלפת מארז הסוללה. שימוש בסוללה לא מתאימה עלול לגרום להצתה או התפוצצות של הסוללה.

La batteria contiene piccole quantità di nichel. Non smontarla, gettarla nel fuoco o nell'acqua né cortocircuitarla. Smaltirla secondo la normativa in vigore (DPR 915/82, successive disposizioni e disposizioni locali). Quando si sostituisce la batteria, utilizzare soltanto i tipi inseriti nell'appropriato Catalogo parti. L'impiego di una batteria non adatta potrebbe determinare l'incendio o l'esplosione della batteria stessa.

(continued)

(continuation of safety notice 3)

**Las baterías contienen pequeñas cantidades de níquel. No las desmonte, ni recargue, ni las eche al fuego o al agua ni las cortocircuite. Deséchelas tal como dispone la normativa local. Utilice sólo baterías que se encuentren en la lista de piezas al sustituir la batería. La utilización de una batería no apropiada puede provocar la ignición o explosión de la misma.**

**Safety notice 4**** DANGER**

The lithium battery can cause a fire, an explosion, or a severe burn. Do not recharge it, remove its polarized connector, disassemble it, heat it above 100°C (212°F), incinerate it, or expose its cell contents to water. Dispose of the battery as required by local ordinances or regulations. Use only the battery in the appropriate parts listing. Use of an incorrect battery can result in ignition or explosion of the battery.

La pile de sauvegarde contient du lithium. Elle présente des risques d'incendie, d'explosion ou de brûlures graves. Ne la rechargez pas, ne retirez pas son connecteur polarisé et ne la démontez pas. Ne l'exposez pas à une température supérieure à 100°C, ne la faites pas brûler et n'en exposez pas le contenu à l'eau. Mettez la pile au rebut conformément à la réglementation en vigueur. Une pile inappropriée risque de prendre feu ou d'exploser.

Die Systematterie ist eine Lithiumatterie. Sie kann sich entzünden, explodieren oder schwere Verbrennungen hervorrufen. Batterien dieses Typs dürfen nicht aufgeladen, zerlegt, über 100 C erhitzt oder verbrannt werden. Auch darf ihr Inhalt nicht mit Wasser in Verbindung gebracht oder der zur richtigen Polung angebrachte Verbindungsstecker entfernt werden. Bei der Entsorgung die örtlichen Bestimmungen für Sondermüll beachten. Beim Ersetzen der Batterie nur Batterien des Typs verwenden, der in der Ersatzteilliste aufgeführt ist. Der Einsatz falscher Batterien kann zu Entzündung oder Explosion führen.

(continued)

(continuation of safety notice 4)

סוללת הליתיום עלולה לגרום לשריפה, להתפוצצות או לכוויות קשות. אין לטעון אותה מחדש, לסלק את המחבר המקוטב שלה, לפרק אותה או לחמם אותה לטמפרטורה העולה על 100 מעלות צלזיוס. אין לשרוף את הסוללה ואין לחשוף את תוכן התא למים. יש לסלק את הסוללה כנדרש בתקנות ובחוקים המקומיים. יש להשתמש רק בסוללה המופיעה ברשימת החלקים המתאימים. שימוש בסוללה אחרת עלול לגרום לסכנת שריפה או התפוצצות.

La batteria di supporto e una batteria al litio e puo incendiarsi, esplodere o procurare gravi ustioni. Evitare di ricaricarla, smontarne il connettore polarizzato, smontarla, riscaldarla ad una temperatura superiore ai 100 gradi centigradi, incendiarla o gettarla in acqua. Smaltirla secondo la normativa in vigore (DPR 915/82, successive disposizioni e disposizioni locali). L'impiego di una batteria non adatta potrebbe determinare l'incendio o l'esplosione della batteria stessa.

La batería de repuesto es una batería de litio y puede provocar incendios, explosiones o quemaduras graves. No la recargue, ni quite el conector polarizado, ni la desmonte, ni caliente por encima de los 100°C (212°F), ni la incinere ni exponga el contenido de sus celdas al agua. Deséchela tal como dispone la normativa local.



**Safety notice 5**

If the LCD breaks and the fluid from inside the LCD gets into your eyes or on your hands, immediately wash the affected areas with water for at least 15 minutes. Seek medical care if any symptoms from the fluid are present after washing.

Si le panneau d'affichage à cristaux liquides se brise et que vous recevez dans les yeux ou sur les mains une partie du fluide, rincez-les abondamment pendant au moins quinze minutes. Consultez un médecin si des symptômes persistent après le lavage.

Die Leuchtstoffröhre im LCD-Bildschirm enthält Quecksilber. Bei der Entsorgung die örtlichen Bestimmungen für Sondermüll beachten. Der LCD-Bildschirm besteht aus Glas und kann zerbrechen, wenn er unsachgemäß behandelt wird oder der Computer auf den Boden fällt. Wenn der Bildschirm beschädigt ist und die darin befindliche Flüssigkeit in Kontakt mit Haut und Augen gerät, sollten die betroffenen Stellen mindestens 15 Minuten mit Wasser abgespült und bei Beschwerden anschließend ein Arzt aufgesucht werden.

אם מסך הגביש הנוזלי (LCD) נשבר והנוזל מתוך המסך בא במגע עם עיניכם או ידיכם, שטפו את האזורים הנגועים מיד במים במשך 15 דקות לפחות. פנו לקבלת עזרה רפואית אם תסמינים הנובעים מהמגע עם הנוזל נמשכים לאחר השטיפה.

Nel caso che caso l'LCD si dovesse rompere ed il liquido in esso contenuto entrasse in contatto con gli occhi o le mani, lavare immediatamente le parti interessate con acqua corrente per almeno 15 minuti; poi consultare un medico se i sintomi dovessero permanere.

Si la LCD se rompe y el fluido de su interior entra en contacto con sus ojos o sus manos, lave inmediatamente las áreas afectadas con agua durante 15 minutos como mínimo. Obtenga atención medica si se presenta algún síntoma del fluido despues de lavarse.

## Safety notice 6



To avoid shock, do not remove the plastic cover that protects the lower part of the inverter card.

Afin d'éviter tout risque de choc électrique, ne retirez pas le cache en plastique protégeant la partie inférieure de la carte d'alimentation.

Aus Sicherheitsgründen die Kunststoffabdeckung, die den unteren Teil der Spannungswandlerplatine umgibt, nicht entfernen.

כדי למנוע התחשמלות, אין להסיר את מכסה הפלסטיק המגן על חלקו התחתון של הכרטיס ההפוך.

Per evitare scosse elettriche, non rimuovere la copertura in plastica che avvolge la parte inferiore della scheda invertitore.

Para evitar descargas, no quite la cubierta de plástico que rodea la parte baja de la tarjeta invertida.

## Safety notice 7

 DANGER

Though the main batteries have low voltage, a shorted or grounded battery can produce enough current to burn personnel or combustible materials.

Bien que le voltage des batteries principales soit peu élevé, le court-circuit ou la mise à la masse d'une batterie peut produire suffisamment de courant pour brûler des matériaux combustibles ou causer des brûlures corporelles graves.

Obwohl Hauptbatterien eine niedrige Spannung haben, können sie doch bei Kurzschluß oder Erdung genug Strom abgeben, um brennbare Materialien zu entzünden oder Verletzungen bei Personen hervorzurufen.

אף שהסוללות הראשיות הן בעלות מתח נמוך, סוללה מקוצרת או מוארקת עלולה להפיק זרם מספיק לגרימת כוויות או להצתת חומרים דליקים.

Sebbene le batterie di alimentazione siano a basso voltaggio, una batteria in corto circuito o a massa può fornire corrente sufficiente da bruciare materiali combustibili o provocare ustioni ai tecnici di manutenzione.

Aunque las baterías principales tienen un voltaje bajo, una batería cortocircuitada o con contacto a tierra puede producir la corriente suficiente como para quemar material combustible o provocar quemaduras en el personal.

## Safety notice 8



Before removing any FRU, power off the computer, unplug all power cords from electrical outlets, remove the battery pack, and then disconnect any interconnecting cables.

Avant de retirer une unité remplaçable en clientèle, mettez le système hors tension, débranchez tous les cordons d'alimentation des socles de prise de courant, retirez la batterie et déconnectez tous les cordons d'interface.

Die Stromzufuhr muß abgeschaltet, alle Stromkabel aus der Steckdose gezogen, der Akku entfernt und alle Verbindungskabel abgenommen sein, bevor eine FRU entfernt wird.

לפני סילוק FRU כלשהו, יש לכבות את המחשב, לנתק את כל כבלי החשמל משקעי החשמל, להוציא את מארז הסוללה, ואז לנתק כבלי חיבור אחרים אם יש כאלה.

Prima di rimuovere qualsiasi FRU, spegnere il sistema, scollegare dalle prese elettriche tutti i cavi di alimentazione, rimuovere la batteria e poi scollegare i cavi di interconnessione.

Antes de quitar una FRU, apague el sistema, desenchufe todos los cables de las tomas de corriente eléctrica, quite la batería y, a continuación, desconecte cualquier cable de conexión entre dispositivos.

## Safety information

The following section presents the safety information that you need to be familiar with before servicing an IBM mobile computer.

### General safety

Follow these rules to ensure general safety:

- Observe good housekeeping in the area of the machines during and after maintenance.
- When lifting any heavy object:
  1. Ensure you can stand safely without slipping.
  2. Distribute the weight of the object equally between your feet.
  3. Use a slow lifting force. Never move suddenly or twist when you attempt to lift.
  4. Lift by standing or by pushing up with your leg muscles; this action removes the strain from the muscles in your back. *Do not attempt to lift any object that weighs more than 16 kg (35 lb) or objects that you think are too heavy for you.*
- Do not perform any action that causes hazards to the customer, or that makes the equipment unsafe.
- Before you start the machine, ensure that other service representatives and the customer's personnel are not in a hazardous position.
- Place removed covers and other parts in a safe place, away from all personnel, while you are servicing the machine.
- Keep your toolbox away from walk areas so that other people will not trip over it.
- Do not wear loose clothing that can be trapped in the moving parts of a machine. Make sure that your sleeves are fastened or rolled up above your elbows. If your hair is long, fasten it.
- Insert the ends of your necktie or scarf inside clothing or fasten it with a nonconductive clip, approximately 8 centimeters (3 inches) from the end.
- Do not wear jewelry, chains, metal-frame eyeglasses, or metal fasteners for your clothing.

**Attention:** Metal objects are good electrical conductors.
- Wear safety glasses when you are hammering, drilling, soldering, cutting wire, attaching springs, using solvents, or working in any other conditions that might be hazardous to your eyes.

### Safety information

- After service, reinstall all safety shields, guards, labels, and ground wires. Replace any safety device that is worn or defective.
- Reinstall all covers correctly before returning the machine to the customer.

## Electrical safety

Observe the following rules when working on electrical equipment.

### Important

Use only approved tools and test equipment. Some hand tools have handles covered with a soft material that does not insulate you when working with live electrical currents.

Many customers have, near their equipment, rubber floor mats that contain small conductive fibers to decrease electrostatic discharges. Do not use this type of mat to protect yourself from electrical shock.

- Find the room emergency power-off (EPO) switch, disconnecting switch, or electrical outlet. If an electrical accident occurs, you can then operate the switch or unplug the power cord quickly.
- Do not work alone under hazardous conditions or near equipment that has hazardous voltages.
- Disconnect all power before:
  - Performing a mechanical inspection
  - Working near power supplies
  - Removing or installing main units
- Before you start to work on the machine, unplug the power cord. If you cannot unplug it, ask the customer to power-off the wall box that supplies power to the machine and to lock the wall box in the off position.
- If you need to work on a machine that has *exposed* electrical circuits, observe the following precautions:
  - Ensure that another person, familiar with the power-off controls, is near you.

**Attention:** Another person must be there to switch off the power, if necessary.

- Use only one hand when working with powered-on electrical equipment; keep the other hand in your pocket or behind your back.

**Attention:** An electrical shock can occur only when there is a complete circuit. By observing the above rule, you may prevent a current from passing through your body.

- When using testers, set the controls correctly and use the approved probe leads and accessories for that tester.
- Stand on suitable rubber mats (obtained locally, if necessary) to insulate you from grounds such as metal floor strips and machine frames.

Observe the special safety precautions when you work with very high voltages; these instructions are in the safety sections of maintenance information. Use extreme care when measuring high voltages.

- Regularly inspect and maintain your electrical hand tools for safe operational condition.
- Do not use worn or broken tools and testers.
- *Never assume* that power has been disconnected from a circuit. First, *check* that it has been powered off.
- Always look carefully for possible hazards in your work area. Examples of these hazards are moist floors, nongrounded power extension cables, power surges, and missing safety grounds.
- Do not touch live electrical circuits with the reflective surface of a plastic dental mirror. The surface is conductive; such touching can cause personal injury and machine damage.
- Do not service the following parts *with the power on* when they are removed from their normal operating places in a machine:
  - Power supply units
  - Pumps
  - Blowers and fans
  - Motor generators

and similar units. (This practice ensures correct grounding of the units.)

- If an electrical accident occurs:
  - Use caution; do not become a victim yourself.
  - Switch off power.
  - Send another person to get medical aid.

## Safety inspection guide

The purpose of this inspection guide is to assist you in identifying potentially unsafe conditions. As each machine was designed and built, required safety items were installed to protect users and service personnel from injury. This guide addresses only those items. You should use good judgment to identify potential safety hazards due to attachment of non-IBM features or options not covered by this inspection guide.

### *Safety information*

If any unsafe conditions are present, you must determine how serious the apparent hazard could be and whether you can continue without first correcting the problem.

Consider these conditions and the safety hazards they present:

- Electrical hazards, especially primary power (primary voltage on the frame can cause serious or fatal electrical shock)
- Explosive hazards, such as a damaged CRT face or a bulging capacitor
- Mechanical hazards, such as loose or missing hardware

To determine whether there are any potentially unsafe conditions, use the following checklist at the beginning of every service task. Begin the checks with the power off, and the power cord disconnected.

Checklist:

1. Check exterior covers for damage (loose, broken, or sharp edges).
2. Power-off the computer. Disconnect the power cord.
3. Check the power cord for:
  - a. A third-wire ground connector in good condition. Use a meter to measure third-wire ground continuity for 0.1 ohm or less between the external ground pin and frame ground.
  - b. The power cord should be the type specified in the parts list.
  - c. Insulation must not be frayed or worn.
4. Remove the cover.
5. Check for any obvious non-IBM alterations. Use good judgment as to the safety of any non-IBM alterations.
6. Check inside the unit for any obvious unsafe conditions, such as metal filings, contamination, water or other liquids, or signs of fire or smoke damage.
7. Check for worn, frayed, or pinched cables.
8. Check that the power-supply cover fasteners (screws or rivets) have not been removed or tampered with.

## **Handling devices that are sensitive to electrostatic discharge**

Any computer part containing transistors or integrated circuits (ICs) should be considered sensitive to electrostatic discharge (ESD.) ESD damage can occur when there is a difference in charge between objects. Protect against ESD



damage by equalizing the charge so that the machine, the part, the work mat, and the person handling the part are all at the same charge.

**Notes**

1. Use product-specific ESD procedures when they exceed the requirements noted here.
2. Make sure that the ESD protective devices you use have been certified (ISO 9000) as fully effective.

When handling ESD-sensitive parts:

- Keep the parts in protective packages until they are inserted into the product.
- Avoid contact with other people.
- Wear a grounded wrist strap against your skin to eliminate static on your body.
- Prevent the part from touching your clothing. Most clothing is insulative and retains a charge even when you are wearing a wrist strap.
- Use the black side of a grounded work mat to provide a static-free work surface. The mat is especially useful when handling ESD-sensitive devices.
- Select a grounding system, such as those listed below, to provide protection that meets the specific service requirement.

**Note**

The use of a grounding system is desirable but not required to protect against ESD damage.

- Attach the ESD ground clip to any frame ground, ground braid, or green-wire ground.
- Use an ESD common ground or reference point when working on a double-insulated or battery-operated system. You can use coax or connector-outside shells on these systems.
- Use the round ground-prong of the AC plug on AC-operated computers.

## Grounding requirements

Electrical grounding of the computer is required for operator safety and correct system function. Proper grounding of the electrical outlet can be verified by a certified electrician.

## **Laser compliance statement**

Some IBM Personal Computer models are equipped from the factory with an optical storage device such as a CD-ROM drive or a DVD-ROM drive. They are also sold separately as options. The drive is certified in the U.S. to conform to the requirements of the Department of Health and Human Services 21 Code of Federal Regulations (DHHS 21 CFR) Subchapter J for Class 1 laser products. Elsewhere, the drive is certified to conform to the requirements of the International Electrotechnical Commission (IEC) 825 and CENELEC EN 60 825 for Class 1 laser products.

When a CD-ROM drive, DVD drive or the other laser product is installed, note the following:

 **CAUTION:**

**Use of controls or adjustments or performance of procedures other than those specified herein might result in hazardous radiation exposure.**

**O uso de controles, ajustes ou desempenho de procedimentos diferentes daqueles aqui especificados pode resultar em perigosa exposição à radiação.**

**凡未在这里指明的任何控制用法、调整、行为，都会导致严重后果。**

**Pour éviter tout risque d'exposition au rayon laser, respectez les consignes de réglage et d'utilisation des commandes, ainsi que les procédures décrites.**

**Werden Steuer- und Einstellelemente anders als hier festgesetzt verwendet, kann gefährliche Laserstrahlung auftreten.**

**Az itt előírt eljárásoktól, beállításoktól és vezérlésektől eltérni a lézersugárzás veszélye miatt kockázatos !**

**L'utilizzo di controlli, regolazioni o l'esecuzione di procedure diverse da quelle specificate possono provocare l'esposizione a.**

**Использование элементов настройки и выполнение процедур иных, чем указано здесь, может привести к опасному радиационному облучению.**

**Použitie kontrôl, úprav alebo iných vykonaní od iných výrobcov, ako je v tomto špecifikované, mohlo by mať za následok nebezpečenstvo vystavenia sa vyžiarovaniu.**

**El uso de controles o ajustes o la ejecución de procedimientos distintos de los aquí especificados puede provocar la exposición a radiaciones peligrosas.**

Opening the CD-ROM drive, DVD-ROM drive or the other optical storage device could result in exposure to hazardous laser radiation. There are no serviceable parts inside those drives. **Do not open.**

### *Laser compliance statement*

Some CD-ROM drives, DVD-ROM drives, or other optical storage devices contain an embedded Class 3A or Class 3B laser diode. Note the following:

## **DANGER**

**Emits visible and invisible laser radiation when open. Do not stare into the beam, do not view directly with optical instruments, and avoid direct exposure to the beam.**

**Radiação por raio laser ao abrir. Não olhe fixo no feixe de luz, não olhe diretamente por meio de instrumentos óticos e evite exposição direta com o feixe de luz.**

**开启时会有激光发射时，请勿盯视激光光束，请勿直接查看视觉仪器，并且避免直接接触在激光光束之中。**

**Rayonnement laser si carter ouvert. Évitez de fixer le faisceau, de le regarder directement avec des instruments optiques, ou de vous exposer au rayon.**

**Laserstrahlung bei geöffnetem Gerät. Nicht direkt oder über optische Instrumente in den Laserstrahl sehen und den Strahlungsbereich meiden.**

**Kinyitáskor lézersugár ! Ne nézzen bele se szabad szemmel, se optikai eszközökkel. Kerülje a sugárnyalábbal való érintkezést !.**

**Aprenndo l'unità vengono emesse radiazioni laser. Non fissare il fascio, non guardarlo direttamente con strumenti ottici e evitare l'esposizione diretta al fascio.**

**Открывая, берегитесь лазерного излучения.**

**Не смотрите на луч, не разглядывайте его с помощью оптических инструментов, а также избегайте прямого воздействия лазерного луча.**

**Keď je laserová jednotka otvorená. Vyhnite sa priamemu pohľadu a nehladte priamo s optickými nástrojmi do lúča a vyhnite sa priamemu vystaveniu lúčov.**

**Radiación láser al abrir. No mire fijamente ni examine con instrumental óptico el haz de luz. Evite la exposición directa al haz.**

---

## General descriptions

This chapter includes descriptions for any ThinkPad model that has the PC-Doctor DOS diagnostics program. Some descriptions might not apply to your particular computer.

---

### Read this first

Before you go to the checkout guide, be sure to read this section.

#### Important notes

- **Only certified trained personnel should service the computer.**
- **Read the entire FRU removal and replacement page before replacing any FRU.**
- **Use new nylon-coated screws when you replace FRUs.**
- **Be extremely careful during such write operations as copying, saving, or formatting.** Drives in the computer that you are servicing sequence might have been altered. If you select an incorrect drive, data or programs might be overwritten.
- **Replace FRUs only for the correct model.** When you replace a FRU, make sure the model of the machine and the FRU part number are correct by referring to the FRU parts list.
- **A FRU should not be replaced because of a single, unreproducible failure.** Single failures can occur for a variety of reasons that have nothing to do with a hardware defect, such as cosmic radiation, electrostatic discharge, or software errors. Consider replacing a FRU only when a problem recurs. If you suspect that a FRU is defective, clear the error log and run the test again. If the error does not recur, do not replace the FRU.
- **Be careful not to replace a nondefective FRU.**

### What to do first

When you do return a FRU, you must include the following information in the parts exchange form or parts return form that you attach to it:

- \_\_\_ 1. Name and phone number of servicer
- \_\_\_ 2. Date of service
- \_\_\_ 3. Date on which the machine failed

*Read this first*

- \_\_\_ 4. Date of purchase
- \_\_\_ 5. Failure symptoms, error codes appearing on the display, and beep symptoms
- \_\_\_ 6. Procedure index and page number in which the failing FRU was detected
- \_\_\_ 7. Failing FRU name and part number
- \_\_\_ 8. Machine type, model number, and serial number
- \_\_\_ 9. Customer's name and address

**Note for warranty:**

During the warranty period, the customer may be responsible for repair costs if the computer damage was caused by misuse, accident, modification, unsuitable physical or operating environment, or improper maintenance by the customer. The following list provides some common items that are not covered under warranty and some symptoms that might indicate that the system was subjected to stress beyond normal use.

Before checking problems with the computer, determine whether the damage is covered under the warranty by referring to the following:

**The following are not covered under warranty:**

- LCD panel cracked from the application of excessive force or from being dropped
- Scratched (cosmetic) parts
- Distortion, deformation, or discoloration of the cosmetic parts
- Cracked or broken plastic parts, broken latches, broken pins, or broken connectors caused by excessive force
- Damage caused by liquid spilled into the system
- Damage caused by the improper insertion of a PC Card or the installation of an incompatible card
- Damage caused by foreign material in the diskette drive
- Diskette drive damage caused by pressure on the diskette drive cover or by the insertion of a diskette with multiple labels
- Damaged or bent diskette eject button
- Fuses blown by attachment of a nonsupported device
- Forgotten computer password (making the computer unusable)
- Sticky keys caused by spilling a liquid onto the keyboard

**The following symptoms might indicate damage caused by nonwarranted activities:**

- Missing parts might be a symptom of unauthorized service or modification.

*Read this first*

- If the spindle of a hard-disk drive becomes noisy, it may have been subjected to excessive force, or dropped.

## Related service information

This section provides information about the following:

- “Service web site”
- “Restoring the preloaded system”
- “Passwords” on page 30
- “Power management” on page 32

### Service web site

When the latest maintenance diskette and the system program service diskette become available, a notice will be posted on <http://www.ibm.com/pc/partner/infotips>

### Restoring the preloaded system

If the data on a hard-disk drive is damaged or accidentally erased, you can restore the software that was shipped with the computer. This software includes the pre-installed operating system, applications, and device drivers.

To restore the pre-installed software, you can use either the Product Recovery program or a recovery CD.

#### Ordering the recovery CD

When the hard-disk drive is replaced because of a failure, no Product Recovery program is on the new hard disk. In this case, you must use the Product Recovery CD for the computer. Order the recovery CD and the hard-disk drive at the same time so that you can recover the new hard-disk drive with the pre-installed software when they arrive. For information on which CD to order, see “Recovery CDs” on page 161

The Product Recovery program is in the service partition, a section of the hard-disk drive that is not displayed by Windows Explorer.

**Attention:** All of the files on the primary hard-disk partition (usually drive C) will be lost in the recovery process. Be sure to back up copies of the files you have saved on your drive C before you begin.

### Product Recovery program

If your hard disk drive data is damaged or accidentally erased, you can restore the software that was shipped with your computer. This software includes your pre-installed operating system, applications, and device drivers.

You can restore your pre-installed software using the Product Recovery program.



The Product Recovery program is in a section of your hard disk drive that is not displayed by Windows Explorer.

**Note:** The recovery process might take up to 2 hours.

**Attention**

All of the files on the primary hard disk partition (usually drive C) will be lost in the recovery process. Be sure to back up copies of the files you have saved on your drive C before you begin.

**To use the Product Recovery program to restore your pre-installed software, do the following:**

1. If possible, save all your files and shut down your operating system.
2. Turn off your computer.
3. Turn on your computer. Watch the display carefully. When the following message is displayed, press the blue Access IBM button to open the Access IBM Predesktop Area: "To interrupt normal startup, press the blue Access IBM button." (If Windows is not running normally and does not open, the Access IBM Predesktop Area will open automatically.)
4. Double-click the Recover to factory contents.
5. Follow the instructions on the screen.
6. When the Product Recovery program finishes, your computer will restart and begin the configuration process.

**Using the recovery CD**

To create the service partition and install the preloaded system from the recovery CD, do the following:

**To create the service partition:**

1. Erase all partitions on the hard-disk drive, using FDISK or a similar application.
2. Boot with the recovery CD (and the boot diskette if required.)
3. Following message is displayed: "**Your computer originally included a Product Recovery program ... Reinstall the Product Recovery program? (Y/N) [ J ]**".

**Note:** If the hard-disk drive contains any partitions, you do not receive this message; go to step 1.

4. Press Y key. The service partition is created and loaded with the Product Recovery program files.

### *Related service information*

**Note:** If you do not want to create the service partition, press N key, and then go to step 8.

5. At next window, press Enter to continue.
  - The service partition is created. The system automatically reboots during this process.
  - The recovery process copies some files to the service partition, and PKUNZIPs others.
  - Follow the prompts. You may be prompted to change CDs.
  - When the process is complete, the system reboots. Continue to step 6 to install preloaded system.

### **Install preloaded system from CD:**

6. Boot with the recovery CD (and the boot diskette if required.)
7. If the hard-disk drive is blank, the following message is displayed: **“Your computer originally included a Product Recovery program ... Reinstall the Product Recovery program? (Y/N) [ ]”**.
  - To install the service partition, go to step 4.
  - To preload the hard-disk drive without installing the service partition, press N key.
8. If you get a message asking which operating system to install, select the proper operating system and press Enter.
9. A message is displayed: **“Full Recovery:”**. Press Enter to select.
10. On each of the next three windows, press the Y key.
11. Follow the prompts to complete the recovery.

## **Passwords**

As many as three passwords may be needed for any ThinkPad computer: the power-on password (POP), the hard-disk password (HDP), and the supervisor password (SVP).

If any of these passwords has been set, a prompt for it appears on the screen whenever the computer is turned on. The computer does not start until the password is entered.

**Exception:** If only an SVP is installed, the password prompt does not appear when the operating system is booted.

### **Power-on password:**

A power-on password (POP) protects the system from being powered on by an unauthorized person. The password must be entered before an operating system can be booted.

### **Hard-disk password:**

There are two hard-disk passwords (HDPs):

- User HDP—for the user
- Master HDP—for the system administrator, who can use it to get access to the hard disk even if the user has changed the user HDP

**Note:** There are two modes for the HDP: **User only** and **Master + User**. The **Master + User** mode requires two HDPs; the system administrator enters both in the same operation. The system administrator then provides the user HDP to the system user.

**Attention:** If the user HDP has been forgotten, check whether a master HDP has been set. If it has, it can be used for access to the hard-disk drive. If no master HDP is available, IBM does not provide any services to reset either the user or the master HDP, or to recover data from the hard-disk drive. The hard-disk drive can be replaced for a scheduled fee.

### **Supervisor password:**

A supervisor password (SVP) protects the system information stored in the IBM BIOS Setup Utility. The SVP must be entered in order to get access to the IBM BIOS Setup Utility and make changes to system configuration settings.

**Attention:** If the SVP has been forgotten and cannot be made available to the servicer, there is no service procedure to reset the password. The system board must be replaced for a scheduled fee.

### **How to remove the power-on password**

To remove a POP that you have forgotten, do the following:

*(A) If no SVP has been set:*

1. Turn off the computer.
2. Remove the battery pack.

For how to remove the battery pack, see “1010 Battery pack” on page 64.

3. Remove the backup battery.

For how to remove the backup battery, see “1070 Backup battery” on page 81.

#### *Related service information*

4. Turn on the computer and wait until the POST ends.  
After the POST ends, the password prompt does not appear. The POP has been removed.
5. Reinstall the backup battery and the battery pack.

#### *(B) If an SVP has been set and is known by the servicer:*

1. Turn on the computer by pressing and holding F1.
2. Enter the SVP. The IBM BIOS Setup Utility menu appears.
3. Select **Password**, using the cursor keys to move down the menu.
4. Select **Power-On Password**.
5. At the Enter Current Password field, enter the SVP.
6. When the Enter New Password field opens, leave it blank and press Enter twice.
7. In the Changes have been saved window, press Enter.
8. Press F10; then, in the Setup confirmation window, select **Yes** .

## **How to remove the hard-disk password**

**Attention:** If **User only** mode is selected and the user HDP has been forgotten and cannot be made available to the servicer, IBM does not provide any services to reset the user HDPs or to recover data from the hard-disk drive. The hard-disk drive can be replaced for a scheduled fee.

To remove a user HDP that has been forgotten, when the SVP and the master HDP are known, do the following:

1. Power on the computer by pressing and holding F1.
2. Enter the SVP. The IBM BIOS Setup Utility menu appears.
3. Select **Password**, using the cursor keys to move down the menu.
4. Select **Hard-disk x password**, where *x* is the letter of the hard-disk drive. A pop-up window opens.
5. Select **Master HDP**.
6. Enter the master HDP; then leave the New Password field blank and press Enter twice.
7. Press F10.
8. Select **Yes** in the Setup Configuration window.  
Both user HDP and master HDP will have been removed.

## **Power management**

To reduce power consumption, the computer has three power management modes: screen blank, standby, and hibernation.

**Notes**

- Screen blank mode is called *standby mode* in Windows 95 and Windows NT.
- Standby mode is called *suspend mode* in Windows 95 and Windows NT.

**Screen blank mode**

Screen blank mode has three variants, as follows:

1. If you press Fn+F3, or the time set on the “LCD off timer” in IBM BIOS Setup Utility expires,
  - The LCD backlight turns off.
  - The hard-disk drive motor stops.
  - The speaker is muted.
2. If you are using the ACPI operating system and you press Fn+F3,
  - The LCD backlight turns off.
  - The hard-disk drive motor stops.
3. If the time set on the “Turn off monitor” timer in the operating system expires,
  - The LCD backlight turns off.

To end screen blank mode and resume normal operation, press any key.

**Standby mode**

When the computer enters standby mode, the following events occur in addition to what occurs in screen blank mode:

- The LCD is powered off.
- The hard-disk drive is powered off.
- The CPU stops.

To enter standby mode, press Fn+F4.

**Note:** You can change the action of Fn+F4, if you are using the ACPI operating system.

In certain circumstances, the computer goes into standby mode automatically:

- If a “suspend time” has been set on the timer, and the user does not do any operation with the keyboard, the TrackPoint, the hard disk, the parallel connector, or the diskette drive within that time.
- If the battery indicator blinks orange, indicating that the battery power is low. (Alternatively, if **Hibernate when battery becomes low** has been selected in the “Power Management Properties” window, the computer goes into hibernation mode.)

**Note for the APM operating system:**

Even if you do not set the low-battery alarm, the charge indicator notifies you when the battery is low, and then the computer enters the power-saving mode automatically. This default low-battery behavior is independent of the operating system; so if you have set the low-battery alarm, the computer may not do what you specified. It chooses either your setting or the default setting, whichever is appropriate.

If you are using the ACPI operating system, only the low-battery alarm is available.

To cause the computer to return from standby mode and resume operation, do one of the following:

- Press the Fn key.
- Open the LCD cover.
- Turn on the power switch.

Also, the computer automatically returns from standby mode and resumes operation in either of the following events:

- The ring indicator (RI) is signaled by a serial device or a PC Card device (Windows 2000 does not support the ring indicator (RI) resume by PC Card device.)
- The time set on the resume timer elapses. In Windows 98, the **Scheduled Tasks** setting takes priority over the **Resume on timer** selection in the "Power Management Properties" window.

**Note:** The computer does not accept any input immediately after it enters standby mode. Wait a few seconds before taking any action to reenter operation mode.

## Hibernation mode

**Note for Windows NT**

If you are using Windows NT in the default format, NTFS, you cannot create a hibernation file. If you want to use hibernation mode, you will need to reinstall Windows NT with FAT format.

In hibernation mode, the following occurs:

- The system status, RAM, VRAM, and setup data are stored on the hard disk.
- The system is powered off.

**Note:** If the computer enters the hibernation mode while it is docked to the docking station, do not undock it from the docking station before resuming normal

operation. If you do undock it and then try to resume normal operation, you will get an error message, and you will have to restart the system.

To cause the computer to enter hibernation mode, do any of the following:

- Press the Fn+F12 keys.
- If you are using the APM operating system and have set the mode to **Power switch mode [Hibernation]**, turn off the power switch.
- If you are using the ACPI operating system and have defined one of the following actions as the event that causes the system to go into hibernation mode, perform that action.
  - Closing the lid.
  - Pressing the power button.
  - Pressing Fn+F4 keys.

Also, the computer goes into hibernation mode automatically in either of the following conditions:

- If a “hibernation time” has been set on the timer, and the user does not do any operation with the keyboard, the TrackPoint, the hard-disk drive, the parallel connector, or the diskette drive within that time.
- If the timer conditions are satisfied in suspend mode.
- If you are using the APM operating system and have set the mode to **Hibernate when battery becomes low**, and the battery charge becomes critically low.

When the power is turned on, the computer returns from hibernation mode and resumes operation. The hibernation file in the boot record on the hard-disk drive is read, and system status is restored from the hard-disk drive.

## Checkout guide

Use the following procedures as a guide in identifying and correcting problems with the ThinkPad computer.

**Note:** The diagnostic tests are intended to test only IBM products. The use of non-IBM products, prototype cards, or modified options can lead to false indications of errors and invalid system responses.

1. Identify the failing symptoms in as much detail as possible.
2. Verify the symptoms. Try to re-create the failure by running the diagnostic test or by repeating the operation.

## Testing the computer

The ThinkPad computer has a test program called PC-Doctor<sup>®</sup> DOS (hereafter called *PC-Doctor*.) You can detect errors by running the diagnostics test included in PC-Doctor. This section is an overview of the procedure. For details that depend on model-unique functions, refer to “Product overview” on page 45.

For some possible configurations of the computer, PC-Doctor might not run correctly. To avoid this problem, you need to initialize the computer setup by use of the IBM BIOS Setup Utility before you run PC-Doctor. On the IBM BIOS Setup Utility screen, press F9, Enter, F10, and then Enter.

**Note:** When you initialize the computer configuration, some devices are disabled, such as the serial port. If you test one of these devices, you will need to enable it by using PS2.EXE.

PC-Doctor cannot be used to test a device that is in the docking station, even if the computer supports the docking station. To test a USB device, connect it to the USB connector of the computer. To test the Ultrabay device, install it in the Ultrabay Plus slot of the computer.

To run the test, do as follows:

**Note:** In the following procedure, you can select an item not only with the arrow keys, but also with the TrackPoint. Instead of pressing Enter, click the left button.

1. Insert the PC-Doctor disk into the diskette drive; then power on the computer.

If the computer cannot be powered on, go to “Power system checkout” on page 39, and check the power sources.



If an error code appears, go to “Symptom-to-FRU index” on page 53.

On the first screen, select the model and press Enter. Follow the instructions on the screen.

2. The main panel of PC-Doctor appears.
3. Select **Diagnostics** with the arrow keys, and press Enter.

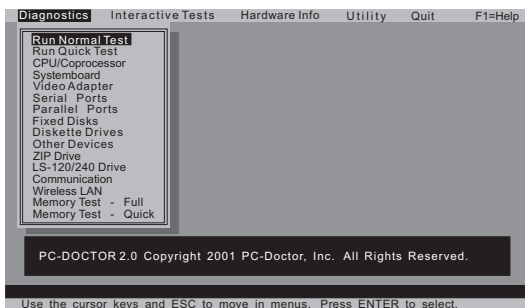
A pull-down menu appears. (Its exact form depends on the model.)

The options on the test menu are as follows:

Diagnostics	Interactive Tests
<ul style="list-style-type: none"> <li>• Run Normal Test</li> <li>• Run Quick Test</li> <li>• CPU/Coprocessor</li> <li>• Systemboard</li> <li>• Video Adapter</li> <li>• Serial Ports</li> <li>• Parallel Ports</li> <li>• Fixed Disks</li> <li>• Diskette Drives</li> <li>• Other Devices</li> <li>• ZIP Drive</li> <li>• LS-120/240 Drive</li> <li>• Wireless LAN</li> <li>• Memory Test – Full</li> <li>• Memory Test – Quick</li> </ul>	<ul style="list-style-type: none"> <li>• Keyboard</li> <li>• Video</li> <li>• Internal Speaker</li> <li>• Mouse</li> <li>• Joystick Test</li> <li>• Diskette</li> <li>• System Load</li> <li>• CD-ROM/DVD Test</li> <li>• Actiontec Wireless Radio</li> <li>• 802.11b Wireless Radio Test</li> </ul>

**Notes:**

- In the **Keyboard** test in **Interactive Tests**, the Fn key is scanned only once. Each key should be held down for at least 2 seconds; otherwise, it cannot be sensed.
- **Video Adapter** test supports only the LCD display on theThinkPad computer. Before running PC-Doctor DOS, detach the external monitor.
- To test **ZIP Drive** or **LS-120/240 Drive**, each media is needed to be inserted before start testing.
- To test **Digital Signature Chip**, the chip must be enabled.
- When Legacy Floppy Drives is enabled in the IBM BIOS Setup Utility, **Diskette Drives** test is activated even if no legacy diskette drive is attached to the ThinkPad computer.



4. Run the applicable function test.
5. Follow the instructions on the screen. If there is a problem, PC-Doctor shows messages describing it.
6. To exit the test, select **Quit — Exit Diag**.  
To cancel the test, press Esc.

**Note:** After executing PC-Doctor, check the system time/date and reset them if needed.

## Detecting system information with PC-Doctor

PC-Doctor can detect the following system information:

### Hardware Info

- System Configuration
- Memory Contents
- Physical Disk Drives
- Logical Disk Drives
- VGA Information
- IDE Drive Info
- PCI Information
- PNPISA Info
- SMBIOS Info
- VESA LCD Info

### Utility

- Run External Tests
- Surface Scan Hard Disk
- Benchmark System
- DOS Shell
- Tech Support Form
- Battery Rundown
- View Test Log
- Print Log
- Save Log
- Full Erase Hard Drive
- Quick Erase Hard Drive

## Power system checkout

To verify a symptom, do the following:

1. Power off the computer.
2. Remove the battery pack.
3. Connect the ac adapter.
4. Check that power is supplied when you power on the computer.
5. Power off the computer.
6. Disconnect the ac adapter and install the charged battery pack.
7. Check that the battery pack supplies power when you power on the computer.

If you suspect a power problem, see the appropriate one of the following power supply checkouts:

- "Checking the ac adapter"
- "Checking operational charging" on page 40
- "Checking the battery pack" on page 40
- "Checking the backup battery" on page 41

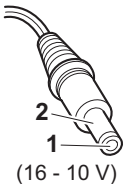
### Checking the ac adapter

You are here because the computer fails only when the ac adapter is used:

- If the power problem occurs only when the port replicator is used, replace the port replicator.
- If the power-on indicator does not turn on, check the power cord of the ac adapter for correct continuity and installation.
- If the computer does not charge during operation, go to "Checking operational charging."

To check the ac adapter, do the following:

1. Unplug the ac adapter cable from the computer.
2. Measure the output voltage at the plug of the ac adapter cable. See the following figure:



Pin	Voltage (V dc)
1	+15.5 to +17.0
2	Ground

3. If the voltage is not correct, replace the ac adapter.
4. If the voltage is acceptable, do the following:
  - Replace the system board.

### *Checkout guide*

- If the problem persists, go to “Product overview” on page 45.

**Note:** Noise from the ac adapter does not always indicate a defect.

## **Checking operational charging**

To check whether the battery charges properly during operation, use a discharged battery pack or a battery pack that has less than 50% of the total power remaining when installed in the computer.

Perform operational charging. If the battery status indicator or icon does not turn on, remove the battery pack and let it return to room temperature. Reinstall the battery pack. If the charge indicator or icon still does not turn on, replace the battery pack.

If the charge indicator still does not turn on, replace the system board. Then reinstall the battery pack. If it is still not charged, go to the next section.

## **Checking the battery pack**

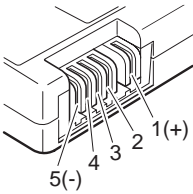
Battery charging does not start until the Power Meter shows that less than 95% of the total power remains; under this condition the battery pack can charge to 100% of its capacity. This protects the battery pack from being overcharged or from having a shortened life.

To check the status of your battery, move your cursor to the Power Meter icon in the icon tray of the Windows taskbar and wait for a moment (but do not click), and the percentage of battery power remaining is displayed. To get detailed information about the battery, double-click the Power Meter icon.

**Note:** If the battery pack becomes hot, it may not be able to charge. Remove it from the computer and leave it at room temperature for a while. After it cools down, reinstall and recharge it.

To check the battery pack, do the following:

1. Power off the computer.
2. Remove the battery pack and measure the voltage between battery terminals 1 (+) and 5 (-). See the following figure:



Terminal	Voltage (V dc)
1	+ 0 to + 12.6
5	Ground (-)

- If the voltage is less than +11.0 V dc, the battery pack has been discharged.

**Note:** Recharging will take at least 3 hours, even if the indicator does not turn on.

If the voltage is still less than +11.0 V dc after recharging, replace the battery.

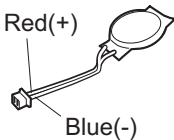
- If the voltage is more than +11.0 V dc, measure the resistance between battery terminals 4 and 5. The resistance must be 4 to 30 K  $\Omega$ .

If the resistance is not correct, replace the battery pack. If the resistance is correct, replace the system board.

### Checking the backup battery

Do the following:

- Power off the computer, and unplug the ac adapter from it.
- Turn the computer upside down.
- Remove the battery pack (see “1010 Battery pack” on page 64).
- Remove the backup battery (see “Checking the battery pack” on page 40).
- Measure the voltage of the backup battery. See the following figure.



Wire	Voltage (V dc)
Red	+2.5 to +3.2
Blue	Ground

- If the voltage is correct, replace the system board.
- If the voltage is not correct, replace the backup battery.
- If the backup battery discharges quickly after replacement, replace the system board.



---

# ThinkPad R40

Product overview . . . . .	45
Specifications . . . . .	45
Status indicators . . . . .	48
FRU tests . . . . .	50
Fn key combinations . . . . .	52
Symptom-to-FRU index . . . . .	53
Numeric error codes . . . . .	53
Error messages . . . . .	56
Beep symptoms . . . . .	57
No-beep symptoms . . . . .	57
LCD-related symptoms . . . . .	58
Intermittent problems . . . . .	59
Undetermined problems . . . . .	59
FRU replacement notices . . . . .	60
Screw notices . . . . .	60
Retaining serial numbers. . . . .	61
Restoring the serial number of the system unit	61
Retaining the UUID . . . . .	61
Removing and replacing a FRU. . . . .	63
1010 Battery pack. . . . .	64
1020 Ultrabay Plus device . . . . .	65
1030 Hard-disk drive . . . . .	66
1040 DIMM . . . . .	68
1050 Mini PCI adapter . . . . .	70
1060 Keyboard . . . . .	73
1070 Backup battery . . . . .	81
1080 Optical storage in the fixed bay . . . . .	82
1090 PC Card slot assembly . . . . .	85
1100 Hinge cover . . . . .	87
1110 Communication daughter card (CDC) . . . . .	88
Modem daughter card (MDC) . . . . .	89
IBM Integrated Bluetooth with 56K Modem (BMDC) . . . . .	92
1120 Fan assembly . . . . .	94
1130 CPU . . . . .	95
1140 Bluetooth antenna assembly . . . . .	97
1150 LCD assembly . . . . .	98
1160 Keyboard bezel . . . . .	103
1170 Speaker assembly and microphone cable	108
1180 System board . . . . .	109
1190 Hard-disk drive slot . . . . .	116
2000 Ultrabay Plus guide rail . . . . .	117
2010 I/O Bracket. . . . .	119
2020 LCD front bezel . . . . .	120
2030 Inverter card . . . . .	121
2040 LCD panel and LCD cable assembly . . . . .	122
2050 Antenna assembly, hinges, and LCD cover	124
Locations . . . . .	127
Front view for 2681, 2682, 2683, 2722, 2723, 2724	127
Rear view for 2681, 2682, 2683, 2722, 2723, 2724	129

Bottom view for 2681, 2682, 2683, 2722, 2723, 2724 . . . . .	130
Front view for 2684, 2685 . . . . .	131
Rear view for 2684, 2685 . . . . .	132
Bottom view for 2684, 2685 . . . . .	133
Parts list . . . . .	134
R40 series model matrix . . . . .	134
Overall . . . . .	141
LCD FRUs . . . . .	156
13/14 in. TFT. . . . .	157
15 in. TFT . . . . .	158
Keyboard . . . . .	160
Recovery CDs . . . . .	161
For Windows 2000 Professional . . . . .	161
For Windows XP Home Edition . . . . .	162
For Windows XP professional . . . . .	163
Miscellaneous parts . . . . .	164
AC adapters . . . . .	167
Telephone cable . . . . .	168
Optional FRUs . . . . .	169
Ultrabay Plus devices . . . . .	169
Other optional FRUs . . . . .	169
Common parts list . . . . .	171
Tools . . . . .	171
Power cords (system) . . . . .	171
Power cords (ThinkPad Mini Dock) . . . . .	172
Notices . . . . .	173
Trademarks . . . . .	173



## Product overview

This section presents the following product-unique information:

- “Specifications”
- “Status indicators” on page 48
- “FRU tests” on page 50
- “Fn key combinations” on page 52

## Specifications

The following table lists the specifications of the ThinkPad R40 series:

Feature	Description
Processor	<p><b>2681, 2682, 2683</b></p> <ul style="list-style-type: none"> <li>• Mobile Intel® Pentium® 4 processor- M 1.8/ 1.9/ 2.0/ 2.2/2.4GHz, L2 512 KB cache</li> <li>• Mobile Intel® Celeron® Processor 1.6/ 1.8GHz, L2 256KB cache</li> </ul> <p><b>2684, 2685</b></p> <ul style="list-style-type: none"> <li>• Mobile Intel® Pentium® 4 processor- M 1.8GHz, L2 512 KB cache</li> <li>• Mobile Intel® Celeron® Processor 1.7/ 1.8GHz, L2 256KB cache</li> </ul> <p><b>2722, 2723, 2724</b></p> <ul style="list-style-type: none"> <li>• Mobile Intel® Genuine® processor 1.3/ 1.4/ 1.5GHz, L2 1MB cache</li> </ul>
Bus architecture	<ul style="list-style-type: none"> <li>• 400MHz PSB</li> <li>• HUB link</li> <li>• PCI bus</li> <li>• LPC bus</li> <li>• 266MHz DDR SDRAM (PC2100)</li> </ul>
Memory (standard)	<ul style="list-style-type: none"> <li>• 128 MB DDR SDRAM SO DIMM (PC2100) card x 1</li> <li>• 256 MB DDR SDRAM SO DIMM (PC2100) card x 1</li> <li>• 512 MB DDR SDRAM SO DIMM (PC2100) card x 1</li> </ul>
Memory (optional)	<ul style="list-style-type: none"> <li>• 128 MB DDR SDRAM SO DIMM (PC2100) card</li> <li>• 256 MB DDR SDRAM SO DIMM (PC2100) card</li> <li>• 512 MB DDR SDRAM SO DIMM (PC2100) card</li> </ul> <p>(maximum of 1024 MB)</p>
Graphic memory	<p><b>2681, 2682, 2683, 2722, 2723, 2724</b></p> <ul style="list-style-type: none"> <li>• 16 MB DDR SDRAM (on the system board)</li> <li>• 32 MB DDR SDRAM (on the system board)</li> </ul> <p><b>2684, 2685</b></p> <ul style="list-style-type: none"> <li>• 16 MB DDR SDRAM (on the system board)</li> </ul>

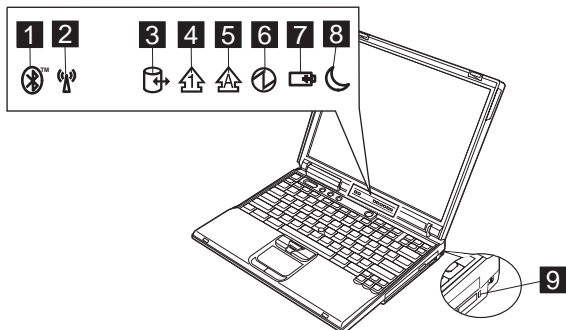
Product overview

Feature	Description
CMOS RAM	<ul style="list-style-type: none"> <li>• 242 bytes</li> </ul>
Hard-disk drive	<p><b>2681, 2682, 2683, 2722, 2723, 2724</b></p> <ul style="list-style-type: none"> <li>• 20.0 GB, 4200 rpm, 2.5-inch, IDE interface</li> <li>• 40.0 GB, 4200 rpm, 2.5-inch, IDE interface</li> <li>• 40.0 GB, 5400 rpm, 2.5-inch, IDE interface</li> <li>• 60.0 GB, 4200 rpm, 2.5-inch, IDE interface</li> </ul> <p><b>2684, 2685</b></p> <ul style="list-style-type: none"> <li>• 20.0 GB, 4200 rpm, 2.5-inch, IDE interface</li> <li>• 40.0 GB, 4200 rpm, 2.5-inch, IDE interface</li> </ul>
Display	<p><b>2681, 2682, 2683, 2722, 2723, 2724</b></p> <ul style="list-style-type: none"> <li>• 13.3-inch, 16M colors, XGA (1024 × 768 resolution) TFT color LCD</li> <li>• 14.1-inch, 16M colors, XGA (1024 × 768 resolution) TFT color LCD</li> <li>• 15-inch, 16M colors, XGA (1024 × 768 resolution) TFT color LCD</li> <li>• 15-inch, 16M colors, SXGA+ (1400 × 1050 resolution) TFT color LCD</li> </ul> <p><b>2684, 2685</b></p> <ul style="list-style-type: none"> <li>• 13.3-inch, 16M colors, XGA (1024 × 768 resolution) TFT color LCD</li> <li>• 14.1-inch, 16M colors, XGA (1024 × 768 resolution) TFT color LCD</li> </ul>
I/O port	<p><b>2681, 2682, 2683, 2722, 2723, 2724</b></p> <ul style="list-style-type: none"> <li>• External monitor connector</li> <li>• Stereo headphone jack</li> <li>• Infrared port</li> <li>• IEEE 1394 port</li> <li>• Microphone jack</li> <li>• Parallel connector</li> <li>• Docking connector</li> <li>• RJ11 connector</li> <li>• RJ45 connector</li> <li>• S-Video out connector</li> <li>• Universal serial bus (USB) connector × 2</li> </ul> <p><b>2684, 2685</b></p> <ul style="list-style-type: none"> <li>• External monitor connector</li> <li>• Stereo headphone jack</li> <li>• Microphone jack</li> <li>• Parallel connector</li> <li>• RJ11 connector</li> <li>• RJ45 connector</li> <li>• Universal serial bus (USB) connector × 2</li> </ul>
Audio	<ul style="list-style-type: none"> <li>• Internal stereo speakers</li> <li>• Software control volume</li> </ul>
Infrared transfer	<ul style="list-style-type: none"> <li>• IrDA 1.1</li> </ul>
Mini PCI adapter	<ul style="list-style-type: none"> <li>• IEEE 802.11b wireless LAN card</li> <li>• IEEE 802.11a/b wireless LAN Combo card</li> </ul>
PC Card	<ul style="list-style-type: none"> <li>• Type-II or Type-III</li> </ul>

Feature	Description
Communication daughter card (CDC)	<ul style="list-style-type: none"> <li>• V.90 modem daughter card (MDC)</li> <li>• Bluetooth Modem daughter card (BMDC)</li> </ul>
AC adapter	<ul style="list-style-type: none"> <li>• 72-watt type</li> </ul>
Ultrabay Plus device (standard)	<ul style="list-style-type: none"> <li>• CD-ROM drive</li> <li>• DVD drive</li> <li>• CD-RW/DVD combo drive</li> </ul>
Preinstalled operating system	<p><b>2681, 2682, 2683, 2722, 2723, 2724</b>  Windows 2000 Professional  Windows XP Home Edition  Windows XP Professional</p> <p><b>2684, 2685</b>  Windows XP Home Edition  Windows XP Professional</p>

## Status indicators

The system status indicators show the status of the computer, as follows:



Indicator	Meaning
<b>1</b> Bluetooth status	<b>Green:</b> Bluetooth is operational. This indicator is on when the Bluetooth is on and not in suspend mode.
<b>2</b> Wireless status	<b>Green:</b> Wireless is operational. This indicator is on when the Wireless is on and not in suspend mode.

(continued)

Indicator	Meaning
<b>3</b> Drive in use	<p><b>Green:</b> Data is being read from or written to the hard-disk drive, the diskette drive, or the drive in the Ultrabay Plus device. When this indicator is on, do not put the computer into standby mode or turn off the computer.</p> <p><b>Note:</b> Do not move the system while the green drive-in-use light is on. Sudden physical shock could cause drive errors.</p>
<b>4</b> Num lock	<p><b>Green:</b> The numeric keypad on the keyboard is enabled. To enable or disable the keypad, press and hold the Shift key, and press the NumLk (ScrLk) key.</p>
<b>5</b> Caps lock	<p><b>Green:</b> Caps Lock mode is enabled. To enable or disable Caps Lock mode, press the Caps Lock key.</p>
<b>6</b> Power on	<p><b>Green:</b> The computer is on and ready to use. This indicator stays lit whenever the computer is on and is not in standby mode.</p>
<b>7</b> Battery status	<p><b>Green:</b> The battery is in use and has enough power. The ac adapter has charged the battery completely.</p> <p><b>Blinking green:</b> The battery is being charged, but still has enough power to operate. (At regular intervals, the indicator light turns off briefly.)</p> <p><b>Orange:</b> The battery is being charged, but the battery power is still low.</p> <p><b>Blinking orange:</b> The battery needs to be charged. When the indicator starts blinking orange, the computer beeps three times.</p>
<b>8</b> Standby status	<p><b>Green:</b> The computer is in standby mode.</p> <p><b>Blinking green:</b> The computer is entering standby mode or hibernation mode, or is resuming normal operation.</p>
<b>9</b> Ultrabay status	<p><b>Green:</b> An Ultrabay Plus device is installed and in use.</p> <p><b>Blinking green:</b> An Ultrabay Plus device is in the process of being detached.</p> <p><b>Turn off:</b> An Ultrabay Plus device is ready to be attached or detached.</p> <p><b>Note:</b> If you are using Windows 2000, the Ultrabay status indicator does not blink while an Ultrabay Plus device is being detached. Instead, a message box pops up when the process is completed; then the indicator turns off.</p>

## FRU tests

The following table shows the test for each FRU.

FRU	Applicable test
System board	<ol style="list-style-type: none"> <li>1. <b>Diagnostics --&gt; CPU/Coprocessor</b></li> <li>2. <b>Diagnostics --&gt; Systemboard</b></li> </ol>
Power	<b>Diagnostics --&gt; Other Devices --&gt; IBM AC Adapter, IBM Battery 1 (IBM Battery 2)</b>
LCD unit	<ol style="list-style-type: none"> <li>1. <b>Diagnostics --&gt; Video Adapter</b></li> <li>2. <b>Interactive Tests --&gt; Video</b></li> </ol>
Modem, Modem daughter card	<ol style="list-style-type: none"> <li>1. Make sure the modem is set up correctly.</li> <li>2. Replace the modem jack and the modem card in turn, and run the following tests in <b>Diagnostics --&gt; Other Devices</b>:           <ol style="list-style-type: none"> <li>a. Modem Digital Loopback Test</li> <li>b. Modem Dialtone Test</li> </ol> </li> </ol>
Audio	<ol style="list-style-type: none"> <li>1. <b>Interactive Tests --&gt; Internal Speaker</b></li> <li>2. <b>Diagnostics --&gt; Other Devices --&gt; Analog Devices AC97 CODEC Test</b></li> </ol>
Speaker	<b>Interactive Tests --&gt; Internal Speaker</b>
PC Card slots	<b>Diagnostics --&gt; Systemboard --&gt; PCMCIA, PCMCIA External Loop</b>
Keyboard	<ol style="list-style-type: none"> <li>1. <b>Diagnostics --&gt; Systemboard --&gt; Keyboard</b></li> <li>2. <b>Interactive Tests --&gt; Keyboard</b></li> </ol>
TrackPoint or pointing device	<p>If the TrackPoint does not work, check the configuration in the ThinkPad Configuration program. If the TrackPoint is disabled, select <b>Automatic</b> (or <b>Enabled</b>) to enable it.</p> <p>After you use the TrackPoint, the pointer may drift on the screen for a short time. This drift can occur when a slight, steady pressure is applied to the TrackPoint pointer. This symptom is not a hardware problem. If the pointer stops after a short time, no service action is necessary.</p> <p>If enabling the TrackPoint does not correct the problem, continue with the following:</p> <ul style="list-style-type: none"> <li>• <b>Interactive Tests --&gt; Mouse</b></li> </ul>
Hard-disk drive	<b>Diagnostics --&gt; Fixed Disks</b>
Diskette drive	<ol style="list-style-type: none"> <li>1. <b>Diagnostics --&gt; Diskette Drives</b></li> <li>2. <b>Interactive Tests --&gt; Diskette</b></li> </ol>

(continued)

FRU	Applicable test
CD-ROM or DVD drive	<ol style="list-style-type: none"> <li>1. <b>Diagnostics --&gt; Other Devices --&gt; CD-ROM/DVD</b></li> <li>2. <b>Interactive Tests --&gt; CD-ROM/DVD Test</b></li> </ol>
Memory	<ol style="list-style-type: none"> <li>1. If two DIMMs are installed, remove one of them and run <b>Diagnostics --&gt; Memory Test—Quick</b>.</li> <li>2. If the problem does not recur, return the DIMM to its place, remove the other one, and run the test again.</li> <li>3. If the test does not detect the error, run <b>Diagnostics --&gt; Memory Test—Full</b>.</li> </ol>
Fan	<ol style="list-style-type: none"> <li>1. Turn on the computer and check the air turbulence at the louver near the power switch.</li> <li>2. Run <b>Diagnostics --&gt; Other Devices --&gt; IBM Fan</b>.</li> </ol>
Touch pad	<p>If the Touch Pad does not work, check the configuration in the ThinkPad Configuration program. If the Touch Pad is disabled, select <b>Automatic</b> to enable it. If enabling the Touch Pad does not correct the problem, continue with the following:</p> <ul style="list-style-type: none"> <li>• <b>Interactive Tests --&gt; Mouse</b></li> </ul>

## Fn key combinations

The following table shows the function of each combination of Fn with a function key.

Key combination	Description
Fn+F1	Reserved.
Fn+F2	Reserved.
Fn+F3	Turn off the LCD display, leaving the screen blank. To turn the LCD display on again, press any key or the TrackPoint stick.
Fn+F4	Put the computer in standby mode. To return to normal operation, press the Fn key independently, without pressing a function key. <b>Note:</b> In Windows XP and Windows 2000, this combination of buttons functions as a sleep button. The setting can be changed so that pressing it puts the computer into hibernation mode or even shuts the computer down.
Fn+F5	Turn the Bluetooth on or off.
Fn+F6	Reserved.
Fn+F7	Apply a presentation scheme directly, with no need to start Presentation Director.
Fn+F8	Switch the computer screen size between expanded and normal mode if the computer display image is smaller than the physical display. <b>Note:</b> This function is not supported in Windows 2000 and Windows XP.
Fn+F9	Turn the Easy Eject on or off.
Fn+F10	Reserved.
Fn+F11	Reserved.
Fn+F12	Put the computer into hibernation mode. To return to normal operation, press the power button for less than four seconds. <b>Note:</b> In Windows 2000 and Windows XP, you can use Fn+F12 for hibernation only if the IBM PM device driver has been installed on the computer.
Fn+PgUp	Turn the ThinkLight on or off.
Fn+Home	The computer display becomes brighter.
Fn+End	The computer display becomes less bright.
Fn+Spacebar	Enable the FullScreen Magnifier function.



## Symptom-to-FRU index

The symptom-to-FRU index in this section lists symptoms and errors and their possible causes. The most likely cause is listed first, in boldface type.

**Note:** Do the FRU replacement or other actions in the sequence shown in the column headed “FRU or action, in sequence.” If replacing a FRU does not solve the problem, put the original part back in the computer. Do not replace a nondefective FRU.

This index can also help you determine, during regular servicing, what FRUs are likely to need to be replaced next.

A numeric error is displayed for each error detected in POST or system operation. In the displays, **n** can be any number.

If no numeric code is displayed, check the narrative descriptions of symptoms. If the symptom is not described there, go to “Intermittent problems” on page 59.

### Note

For an IBM device not supported by diagnostic codes in the ThinkPad notebook computers, see the manual for that device.

## Numeric error codes

Symptom or error	FRU or action, in sequence
<b>0175</b> Bad CRC1, stop POST task—The EEPROM checksum is not correct.	<b>System board.</b>
<b>0176</b> System Security—The System has been tampered with.	1. <b>Run IBM BIOS Setup Utility and Load Setup Defaults.</b> 2. System board.
<b>0177</b> Bad SVP data, stop POST task.	<b>System board.</b>
<b>0182</b> Bad CRC2. Enter BIOS Setup and load Setup Defaults.	<b>Run IBM BIOS Setup Utility and Load Setup Defaults.</b>
<b>0185</b> Bad startup sequence settings. Enter BIOS Setup and load setup defaults.	<b>Run IBM BIOS Setup Utility and Load Setup Defaults</b>

Symptom or error	FRU or action, in sequence
<b>0187</b> EAIA data access error—The access to EEPROM is failed.	<b>System board.</b>
<b>0188</b> Invalid RFID serialization information area or bad CRC2—The EEPROM checksum is not correct.	<b>System board.</b>
<b>0189</b> Invalid RFID configuration information area—The EEPROM checksum is not correct.	<b>System board.</b>
<b>0190</b> Critical low-battery error	<ol style="list-style-type: none"> <li><b>Charge the battery pack.</b></li> <li>Battery pack.</li> </ol>
<b>0199</b> System security — IBM security password retry count exceeded.	<ol style="list-style-type: none"> <li><b>Confirm supervisor password and try again.</b></li> <li><b>Run IBM BIOS Setup Utility.</b></li> </ol>
<b>01C8</b> More than one modem devices are found. Remove one of them. Press <Esc> to continue.	<ol style="list-style-type: none"> <li><b>Remove either a Mini PCI modem card or an modem daughter card; or press Esc to ignore the warning message.</b></li> <li>System board.</li> </ol>
<b>0200</b> Hard disk error—The hard disk is not working.	<ol style="list-style-type: none"> <li><b>Reseat the hard-disk drive.</b></li> <li>Load Setup Defaults in IBM BIOS Setup Utility.</li> <li>Hard-disk drive.</li> <li>System board.</li> </ol>
<b>021x</b> Keyboard error	<b>Run interactive tests of the keyboard and the auxiliary input device.</b>
<b>0220</b> Monitor type error—Monitor type does not match the one specified in CMOS.	<b>Load Setup Defaults in IBM BIOS Setup Utility.</b>
<b>0230</b> Shadow RAM error—Shadow RAM fails at offset nnnn.	<b>System board.</b>
<b>0231</b> System RAM error—System RAM fails at offset nnnn.	<ol style="list-style-type: none"> <li><b>DIMM.</b></li> <li>System board.</li> </ol>
<b>0232</b> Extended RAM error—Extended RAM fails at offset nnnn.	<ol style="list-style-type: none"> <li><b>DIMM.</b></li> <li>System board.</li> </ol>

Symptom or error	FRU or action, in sequence
<b>0250</b> System battery error—System battery is dead.	Replace the backup battery and run IBM BIOS Setup Utility to reset the time and date.
<b>0251</b> System CMOS checksum bad—Default configuration used.	Replace the backup battery and run IBM BIOS Setup Utility to reset the time and date.
<b>0252</b> Password checksum bad—The password is cleared.	Reset the password by running IBM BIOS Setup Utility.
<b>0260</b> System timer error	<ol style="list-style-type: none"> <li>1. Replace the backup battery and run IBM BIOS Setup Utility to reset the time and date.</li> <li>2. System board.</li> </ol>
<b>0270</b> Real time clock error	<ol style="list-style-type: none"> <li>1. Replace the backup battery and run IBM BIOS Setup Utility to reset the time and date.</li> <li>2. System board.</li> </ol>
<b>0271</b> Date and time error—Neither the date nor the time is set in the computer.	Run IBM BIOS Setup Utility to reset the time and date.
<b>0280</b> Previous boot incomplete—Default configuration used.	<ol style="list-style-type: none"> <li>1. Load “Setup Default” in IBM BIOS Setup Utility.</li> <li>2. DIMM.</li> <li>3. System board.</li> </ol>
<b>02B2</b> Incorrect drive A type	<ol style="list-style-type: none"> <li>1. Diskette drive.</li> <li>2. External FDD cable.</li> <li>3. I/O card.</li> </ol>
<b>02F4</b> EISA CMOS not writable	<ol style="list-style-type: none"> <li>1. Load Setup Defaults in IBM BIOS Setup Utility.</li> <li>2. Replace the backup battery.</li> <li>3. System board.</li> </ol>
<b>02F5</b> DMA test failed	<ol style="list-style-type: none"> <li>1. DIMM.</li> <li>2. System board.</li> </ol>
<b>02F6</b> Software NMI failed	<ol style="list-style-type: none"> <li>1. DIMM.</li> <li>2. System board.</li> </ol>
<b>02F7</b> Fail-safe timer NMI failed	<ol style="list-style-type: none"> <li>1. DIMM.</li> <li>2. System board.</li> </ol>
<b>1801</b> Attached docking station is not supported	Shut down the computer and remove it from the docking station.
<b>1802</b> Unauthorized network card is plugged in—Power off and remove the miniPCI network card.	<ol style="list-style-type: none"> <li>1. Remove Mini PCI network card.</li> <li>2. System board.</li> </ol>

## Error messages

Symptom or error	FRU or action, in sequence
Device address conflict.	<ol style="list-style-type: none"> <li>1. <b>Load “Setup Defaults” in IBM BIOS Setup Utility.</b></li> <li>2. Backup battery.</li> <li>3. System board.</li> </ol>
Allocation error for device.	<ol style="list-style-type: none"> <li>1. <b>Load “Setup Defaults” in IBM BIOS Setup Utility.</b></li> <li>2. Backup battery.</li> <li>3. System board.</li> </ol>
Failing bits: nnnn.	<ol style="list-style-type: none"> <li>1. <b>DIMM.</b></li> <li>2. System board.</li> </ol>
Invalid system configuration data.	<ol style="list-style-type: none"> <li>1. <b>DIMM.</b></li> <li>2. System board.</li> </ol>
I/O device IRQ conflict.	<ol style="list-style-type: none"> <li>1. <b>Load “Setup Defaults” in IBM BIOS Setup Utility.</b></li> <li>2. Backup battery.</li> <li>3. System board.</li> </ol>
Operating system not found.	<ol style="list-style-type: none"> <li>1. Check that the operating system has no failure and is installed correctly.</li> <li>2. <b>Enter IBM BIOS Setup Utility and see whether the hard-disk drive and the diskette drive are properly identified.</b></li> <li>3. Reseat the hard-disk drive.</li> <li>4. Reinstall the operating system.</li> <li>5. Diskette drive.</li> <li>6. Hard-disk drive.</li> <li>7. System board.</li> </ol>
Hibernation error.	<ol style="list-style-type: none"> <li>1. <b>Restore the system configuration to what it was before the computer entered hibernation mode.</b></li> <li>2. If memory size has been changed, re-create the hibernation file.</li> </ol>
Fan error.	<b>Fan.</b>
Thermal sensing error.	<b>System board.</b>

## Beep symptoms

Symptom or error	FRU or action, in sequence
One beep and a blank, unreadable, or flashing LCD.	<ol style="list-style-type: none"> <li><b>Reseat the LCD connector.</b></li> <li>LCD assembly.</li> <li>External CRT.</li> <li>System board.</li> </ol>
One long and two short beeps, and a blank or unreadable LCD.	<ol style="list-style-type: none"> <li><b>System board.</b></li> <li>LCD assembly.</li> <li>DIMM.</li> </ol>
Two short beeps with error codes.	<b>POST error. See “Numeric error codes” on page 53.</b>
Two short beeps and a blank screen.	<ol style="list-style-type: none"> <li><b>System board.</b></li> <li>DIMM.</li> </ol>
Three short beeps, pause, three more short beeps, and one short beep.	<ol style="list-style-type: none"> <li><b>DIMM.</b></li> <li>System board</li> </ol>
One short beep, pause, three short beeps, pause, three more short beeps, and one short beep.	
Only cursor appears.	<b>Reinstall operating system.</b>
Four cycles of four short beeps and a blank screen.	<b>System board</b> (IBM security chip)
Five short beeps and a blank screen.	<b>System board</b>

## No-beep symptoms

Symptom or error	FRU or action, in sequence
No beep, power-on indicator on, LCD blank, and no POST.	<ol style="list-style-type: none"> <li><b>Make sure that every connector is connected tightly and correctly.</b></li> <li>DIMM.</li> <li>System board.</li> </ol>
No beep, power-on indicator on, and LCD blank during POST.	<ol style="list-style-type: none"> <li><b>Reseat DIMM.</b></li> <li>System board.</li> </ol>
The power-on password prompt appears.	A power-on password or a supervisor password is set. Type the password and press <b>Enter</b> .
The hard-disk password prompt appears.	A hard-disk password is set. Type the password and press <b>Enter</b> .
The DOS full screen looks smaller.	Start the ThinkPad Configuration program and set the <b>Screen expansion</b> function.

## LCD-related symptoms

### Important

The TFT LCD for the notebook computer contains many thin-film transistors (TFTs). A small number of dots that are missing, discolored, or always lighted is characteristic of TFT LCD technology, but excessive pixel problems can cause viewing concerns. The LCD should be replaced if the number of missing, discolored, or lighted dots in any background is:

- **XGA:** 8 or more bright dots, 8 or more dark dots, or a total of 9 or more bright and dark dots.
- **SXGA+:** 11 or more bright dots, 13 or more dark dots, or a total of 16 or more bright and dark dots.

**Note:** A bright dot means a pixel is always on (white or color.) A dark dot means a pixel is always off (black color.)

Symptom or error	FRU or action, in sequence
No beep, power-on indicator on, and a blank LCD during POST.	<b>System board.</b>
<ul style="list-style-type: none"> <li>• LCD backlight not working.</li> <li>• LCD too dark.</li> <li>• LCD brightness cannot be adjusted.</li> <li>• LCD contrast cannot be adjusted.</li> </ul>	<ol style="list-style-type: none"> <li>1. <b>Reseat the LCD connectors.</b></li> <li>2. LCD assembly.</li> <li>3. System board.</li> </ol>
<ul style="list-style-type: none"> <li>• LCD screen unreadable.</li> <li>• Characters missing pixels.</li> <li>• Screen abnormal.</li> <li>• Wrong color displayed.</li> </ul>	<ol style="list-style-type: none"> <li>1. <b>See important note for “LCD-related symptoms.”</b></li> <li>2. Reseat all LCD connectors.</li> <li>3. LCD assembly.</li> <li>4. System board.</li> </ol>
Horizontal or vertical lines displayed on LCD.	<b>LCD assembly.</b>

## Intermittent problems

Intermittent system hang problems can be due to a variety of causes that have nothing to do with a hardware defect, such as cosmic radiation, electrostatic discharge, or software errors. FRU replacement should be considered only when a problem recurs.

When analyzing an intermittent problem, do the following:

1. Run the diagnostic test for the system board in loop mode **at least 10 times**.
2. If no error is detected, do **not** replace any FRUs.
3. If any error is detected, replace the FRU shown by the FRU code. Rerun the test to verify that no more errors exist.

## Undetermined problems

You are here because the diagnostic tests did not identify which adapter or device failed, wrong devices are installed, a short circuit is suspected, or the system is inoperative. Follow these procedures to isolate the failing FRU (do not isolate FRUs that have no defects).

Verify that all attached devices are supported by the computer.

Verify that the power supply being used at the time of the failure is operating correctly. (See “Power system checkout” on page 39.)

1. Power off the computer.
2. Visually check each FRU for damage. Replace any damaged FRU.
3. Remove or disconnect all of the following devices:
  - a. Non-IBM devices
  - b. Devices attached to the port replicator
  - c. Printer, mouse, and other external devices
  - d. Battery pack
  - e. Hard-disk drive
  - f. External diskette drive
  - g. DIMM
  - h. CD-ROM and diskette drive in the Ultrabay
  - i. PC Cards
4. Power on the computer.
5. Determine whether the problem has changed.
6. If the problem does not recur, reconnect the removed devices one at a time until you find the failing FRU.
7. If the problem remains, replace the following FRUs one at a time (do not replace a nondefective FRU):
  - a. System board
  - b. LCD assembly

## FRU replacement notices

This section contains notices related to removing and replacing parts. Read this section carefully before replacing any FRU.

### Screw notices

Loose screws can cause a reliability problem. In IBM ThinkPad computer, this problem is addressed with special nylon-coated screws that have the following characteristics:

- They maintain tight connections.
- They do not easily come loose, even with shock or vibration.
- They are harder to tighten.
- They should be used only once.

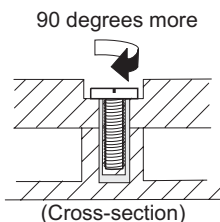
Do the following when you service this machine:

- Keep the screw kit (for the P/N, see “Miscellaneous parts” on page 164) in your tool bag.
- Always use new screws.
- Use a torque screwdriver if you have one.

Tighten screws as follows:

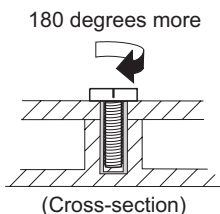
- **Plastic to plastic**

Turn an additional **90 degrees** after the screw head touches the surface of the plastic part:



- **Logic card to plastic**

Turn an additional **180 degrees** after the screw head touches the surface of the logic card:



- **Torque driver**

If you have a torque driver, refer to the “Torque” column for each step.



- Make sure you use the correct screw. If you have a torque screwdriver, tighten all screws firmly to the torque shown in the table. **Never use a screw that you removed. Use a new one. Make sure the screws are tightened firmly.**

## Retaining serial numbers

This section includes the following descriptions:

- “Restoring the serial number of the system unit”
- “Retaining the UUID”

### Restoring the serial number of the system unit

When the computer was manufactured, the EEPROM on the system board was loaded with the serial numbers of the system and all major components. These numbers need to remain the same throughout the life of the computer.

If you replace the system board, you must restore the serial number of the system unit to its original value.

Before replacing the system board, save the original serial number by doing the following:

1. Install the ThinkPad hardware maintenance diskette version 1.62, and restart the computer.
2. From the main menu, select **1. Set System Identification**.
3. Select **2. Read S/N data from EEPROM**.

The serial number for each device is displayed. Write down the serial number of the system unit, designated as follows:

20: System unit serial number

After you have replaced the system board, restore the serial number by doing the following:

1. Install the ThinkPad hardware maintenance diskette version 1.62 and restart the computer.
2. From the main menu, select **1. Set System Identification**.
3. Select **1. Add S/N data from EEPROM**.

Follow the instructions on the screen.

**Note:** The serial number of the system unit is written on the label attached on the bottom of the computer.

### Retaining the UUID

The Universally Unique Identifier (UUID) is a 128-bit number uniquely assigned to your computer at production

### *FRU replacement notices*

and stored in the EEPROM of your system board. The algorithm that generates the number is designed to provide unique IDs until the year A.D. 3400. No two computers in the world have the same number.

When you replace the system board, you must set the UUID on the new system board as follows:

1. Install the ThinkPad hardware maintenance diskette version 1.62, and restart the computer.
2. From the main menu, select **4. Assign UUID**.

A new UUID is created and written. If a valid UUID already exists, it is not overwritten.

## Removing and replacing a FRU

This section presents directions and drawings for use in removing and replacing a FRU. Be sure to observe the following general rules:

1. Do not try to service any computer unless you have been trained and certified. An untrained person runs the risk of damaging parts.
2. Before replacing any FRU, review “FRU replacement notices” on page 60.
3. Begin by removing any FRUs that have to be removed before the failing FRU. Any such FRUs are listed at the top of the page. Remove them in the order in which they are listed.
4. Follow the correct sequence in the steps for removing the FRU, as indicated in the drawings by the numbers in square callouts.
5. When turning a screw to replace a FRU, turn it in the direction indicated by the arrow in the drawing.
6. When removing the FRU, move it in the direction indicated by the arrow in the drawing.
7. To put the new FRU in place, reverse the removal procedure and follow any notes that pertain to replacement. For information about connecting and arranging internal cables, see “Locations” on page 127.
8. When replacing a FRU, use the correct screw as shown in the procedures.

### DANGER

**Before removing any FRU, power off the computer, unplug all power cords from electrical outlets, remove the battery pack, and then disconnect any interconnecting cables.**

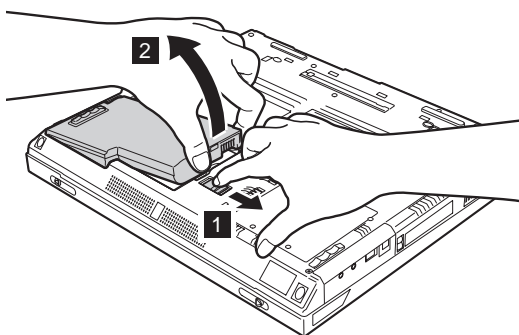
**Attention:** Before the computer is powered on after FRU replacement, make sure that all screws, springs, and other small parts are in place and are not loose inside the computer. Verify this by shaking the computer gently and listening for rattling sounds. Metallic parts or metal flakes can cause electrical short circuits.

**Attention:** The system board is sensitive to, and can be damaged by, electrostatic discharge. Before touching it, establish personal grounding by touching a ground point with one hand or by using an electrostatic discharge (ESD) strap (P/N 6405959).

## 1010 Battery pack

 **DANGER**

The use only the battery in the parts listing for your computer. Use of an incorrect battery can result in ignition or explosion of the battery.



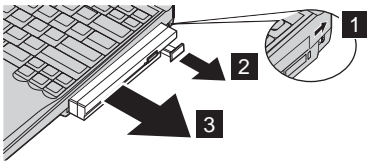
## 1020 Ultrabay Plus device

For machine type 2681, 2682, 2683, 2722, 2723, 2724

### Note

Any of Ultrabay Plus devices can be installed into the Ultrabay Plus of the computer. The procedure for installing and removing is the same for every Ultrabay Plus device. For devices supported, see "Optional FRUs" on page 169.

**Note:** When you release the switch in step **1**, the lever pops out. Pull the lever a little in step **2** to release the device from the bay.



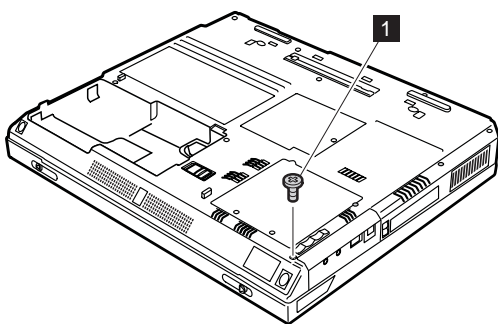
## 1030 Hard-disk drive

### Attention

- **Do not drop or apply any shock to the hard-disk drive.** The hard-disk drive is sensitive to physical shock. Improper handling can cause damage and permanent loss of data.
- Before removing the drive, have the user make a backup copy of all the information on the drive if possible.
- Never remove the drive while the system is operating or is in suspend mode.

For access, remove this FRU:

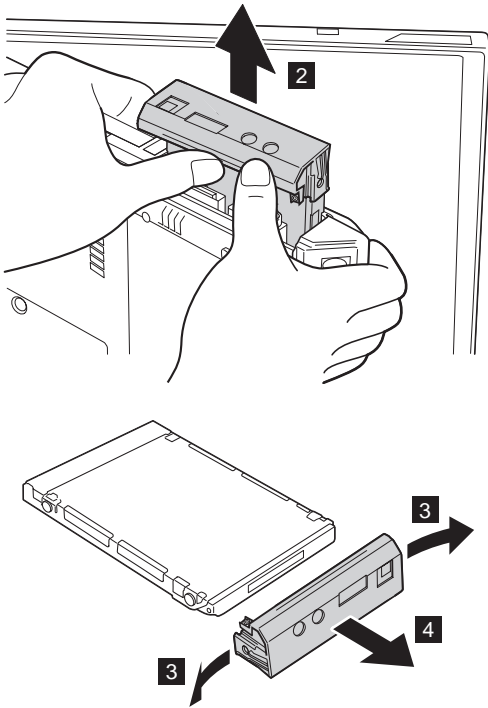
- “1010 Battery pack” on page 64



**Note:** The hard disk is attached to the cover.

Step	Screw (quantity)
<b>1</b>	HDD M3 x 3.5 mm, Black (1)

(continued)



**When installing:** Make sure that the hard-disk connector is firmly attached.

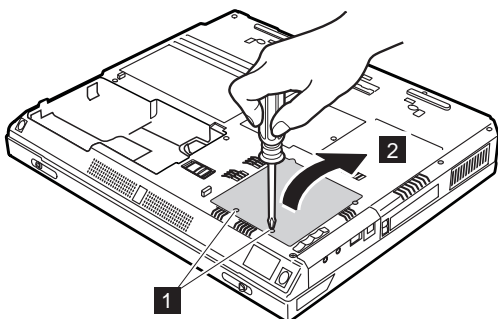
Removing and replacing a FRU

## 1040 DIMM

For access, remove this FRU:

- “1010 Battery pack” on page 64

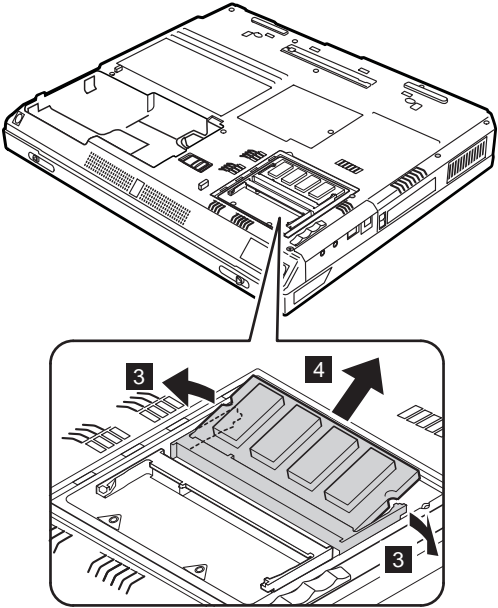
**Note:** Loosen the screws **1**, but do not remove them.



Step	Screw (quantity)	Torque
<b>1</b>	M2.5 x 3.5 mm, +/- Head BK(2)	0.294 Nm (3 kgfcm)

(continued)





**When installing:** With the notched end of the DIMM toward the socket, insert the DIMM into the socket, and then press it firmly. Pivot the DIMM until it snaps into place. Make sure that the card is firmly fixed in the slot and does not move easily.

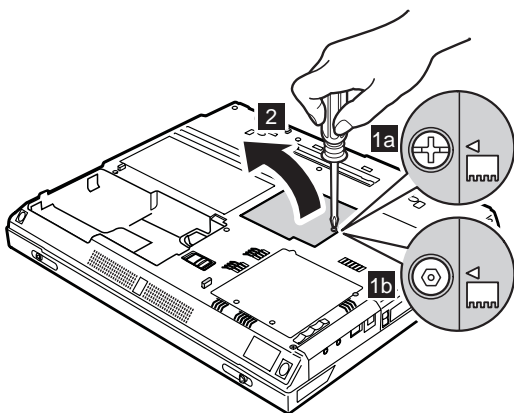
## 1050 Mini PCI adapter

For access, remove this FRU:

- “1010 Battery pack” on page 64

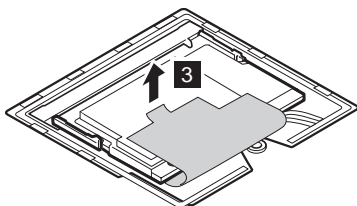
**Note:** Some models do not have the Mini PCI card socket.

**Note:** Loosen the screw **1a** or **1b**, but do not remove it.



Step	Screw (quantity)	Torque
<b>1a</b>	M2.5 x 3.5 mm, +/- Head BK (1)	0.294 Nm (3 kgfcm)
<b>1b</b>	M2.5 x 3.5 mm, Hexagon Head BK (1), Tip: T7H, Torx — 802.11a/b Model	0.294 Nm (3 kgfcm)

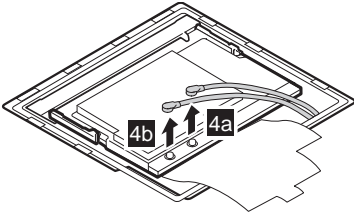
The following illustrations for step **3** to step **6** show the combination of the Mini PCI Wireless LAN card.



(continued)

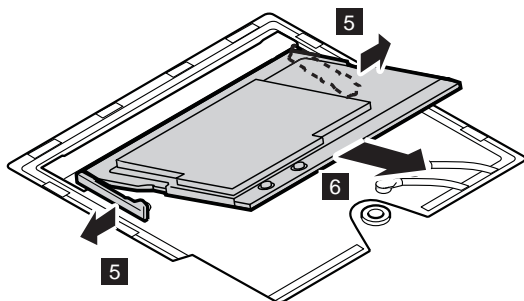
Antenna cables **4a** and **4b** are for the wireless LAN feature.

**Note:** When unplugging the antenna jack, do not pull the cable; it might snap. Unplug the jack by pulling a tab with your fingers.



**When installing:** Plug the gray antenna cable with the tab marked "MAIN" (**4a**) into jack *J1*, and the black antenna cable with the tab marked "AUX" (**4b**) into jack *J2*.

(continued)



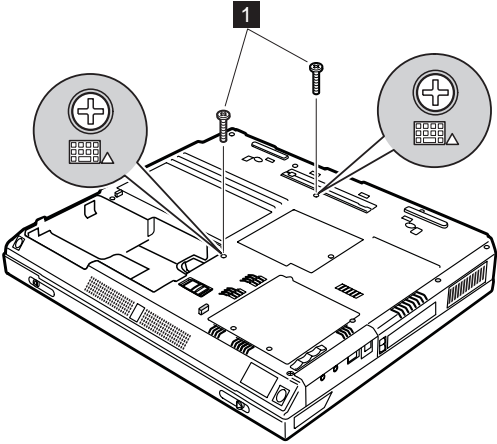
**When installing:** With the notched end of the card toward the socket, insert the card into the socket, and then press it firmly. Pivot the card until it snaps into place. Make sure that the card is firmly fixed in the slot and does not move easily.

## 1060 Keyboard

For access, remove these FRUs, in order:

- “1010 Battery pack” on page 64

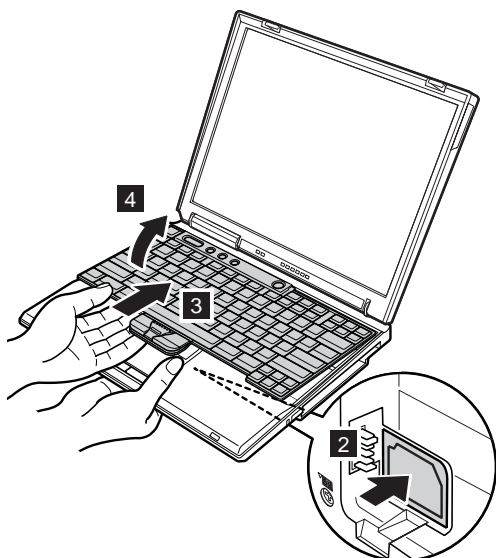
For machine type 2681, 2682, 2683, 2722, 2723, 2724



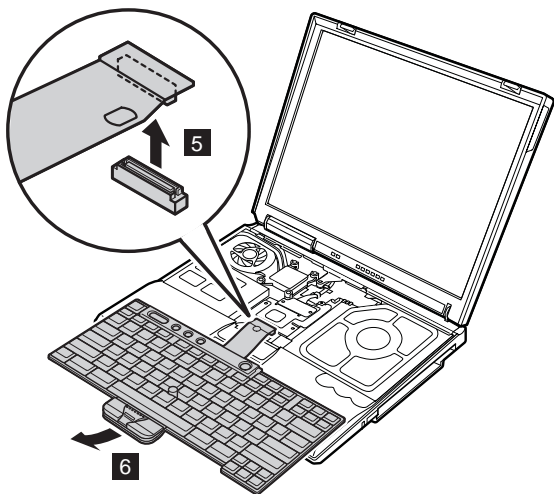
Step	Screw (quantity)	Torque
<b>1</b>	M2.5 x 8.5 mm, Black (2)	0.294 Nm (3 kgfcm)

(continued)

## Removing and replacing a FRU

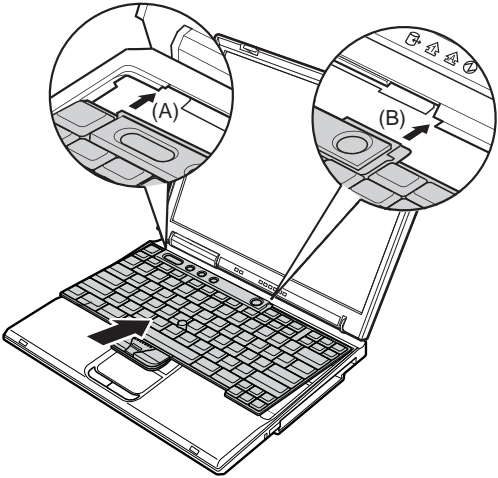


In step **5**, pull the keyboard a little in the direction of the arrow, and then detach the connector **6**.



**When installing:** Install the keyboard, following the directions below.

1. Attach the connector. (Step **6** in the removal procedure.)
2. Make sure that the keyboard edges, shown in the figure as **(A)** and **(B)**, are under the frame.



3. Press the keys indicated by arrows to latch the keyboard firmly in place.



(continued)

*Removing and replacing a FRU*

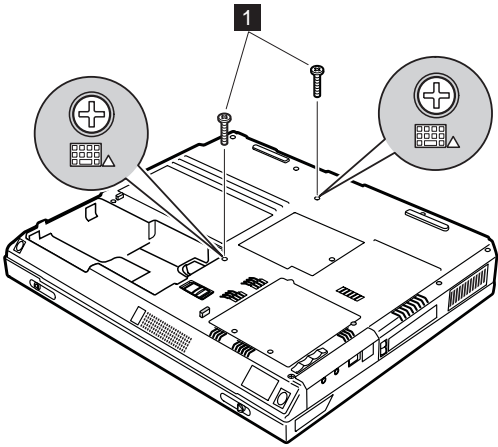
4. To make sure that the front side of the keyboard is housed firmly, gently press the keys with your thumbs and try to slide the keyboard towards you.



5. Secure the keyboard from the bottom of the computer, using the new screws provided with the keyboard.



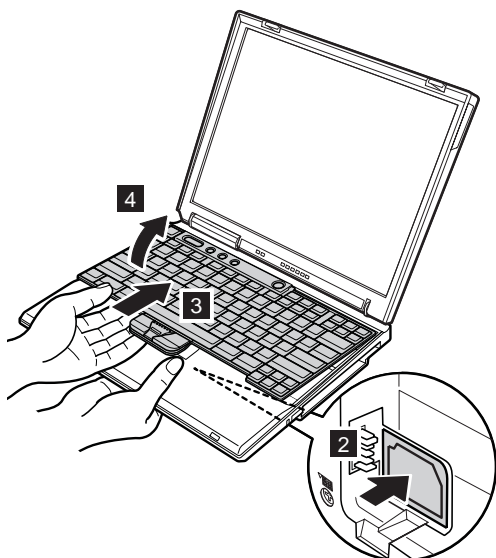
For machine type 2684, 2685



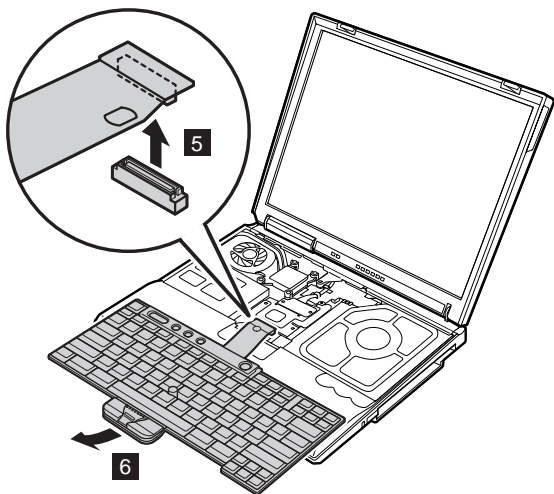
Step	Screw (quantity)	Torque
<b>1</b>	M2.5 × 8.5 mm, Black (2)	0.294 Nm (3 kgfcm)

(continued)

## Removing and replacing a FRU

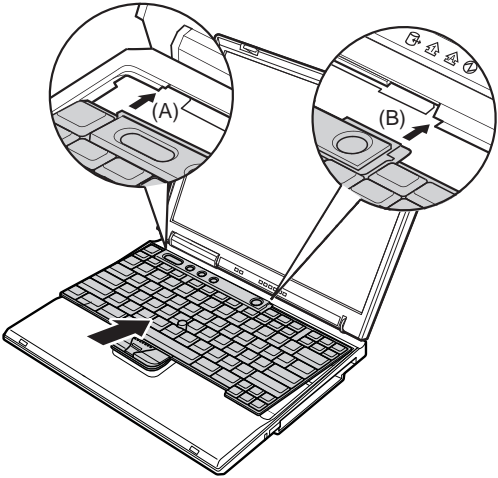


In step **5**, pull the keyboard a little in the direction of the arrow, and then detach the connector **6**.



**When installing:** Install the keyboard, following the directions below.

1. Attach the connector. (Step **6** in the removal procedure.)
2. Make sure that the keyboard edges, shown in the figure as **(A)** and **(B)**, are under the frame.



3. Press the keys indicated by arrows to latch the keyboard firmly in place.



(continued)

*Removing and replacing a FRU*

4. To make sure that the front side of the keyboard is housed firmly, gently press the keys with your thumbs and try to slide the keyboard towards you.



5. Secure the keyboard from the bottom of the computer, using the new screws provided with the keyboard.

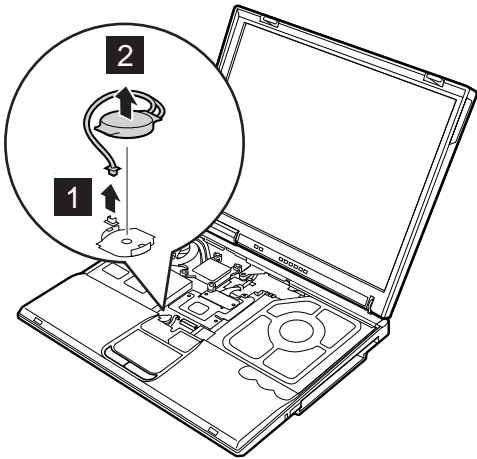
## 1070 Backup battery

 **DANGER**

The use only the battery in the parts listing for your computer. Use of an incorrect battery can result in ignition or explosion of the battery.

For access, remove these FRUs, in order:

- “1010 Battery pack” on page 64
- “1060 Keyboard” on page 73



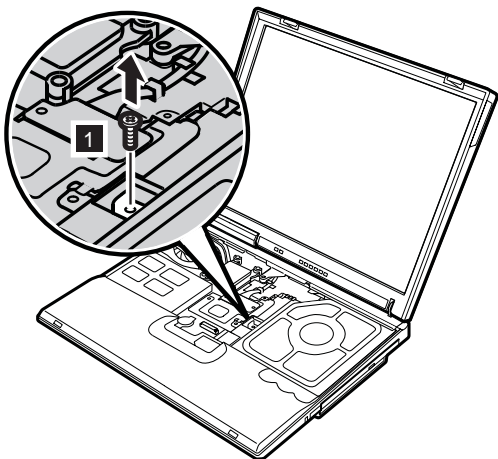
**When installing:** Make sure that the connector **1** is firmly attached.

## 1080 Optical storage in the fixed bay

For access, remove these FRUs, in order:

- “1010 Battery pack” on page 64
- “1060 Keyboard” on page 73

For machine type 2684, 2685



Step	Screw (quantity)	Torque
<b>1</b>	M2.5 x 6 mm, Yellow (1)	0.294 Nm (3 kgfcm)

(continued)

Pull the L-shaped bracket to the right of the computer and drag out the built-in optical drive from the computer.

**Note:** There is a sharp object next to the bracket inside the square opening. Be careful not to cut your finger.



(continued)

*Removing and replacing a FRU*

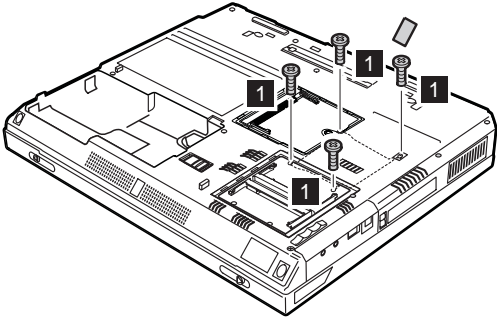




## 1090 PC Card slot assembly

For access, remove these FRUs, in order:

- “1010 Battery pack” on page 64
- “1040 DIMM” on page 68
- “1050 Mini PCI adapter” on page 70
- “1060 Keyboard” on page 73



Step	Screw (quantity)	Torque
<b>1</b>	M2.0 × 4.5 mm, Yellow (4) Tip(0)	0.294 Nm (3 kgfcm)

(continued)

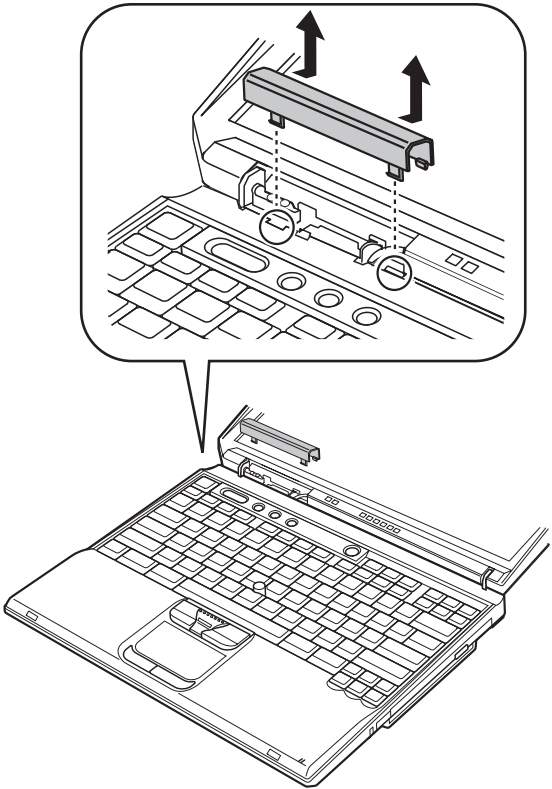


**When installing:** Make sure that the connector of the PC card slot is firmly attached, and then secure the screws.

## 1100 Hinge cover

For access, remove these FRUs, in order:

- “1010 Battery pack” on page 64



**When installing:** Attach the hinge cover, aligning the two projections on the rear side with the two small square holes of the base cover.

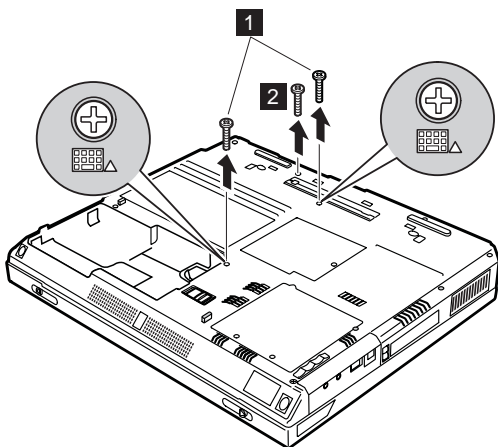
## 1110 Communication daughter card (CDC)

For access, remove this FRU:

- “1010 Battery pack” on page 64
- “1060 Keyboard” on page 73
- “1100 Hinge cover” on page 87

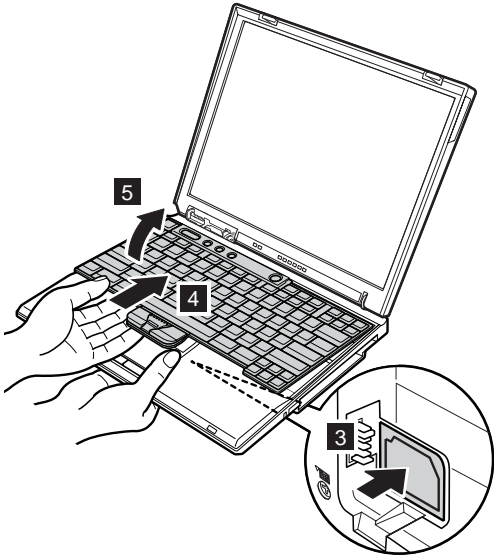
**Note:** Some models do not have the Communication daughter card (CDC).

**Note:** Loosen the screws **1** and **2**.



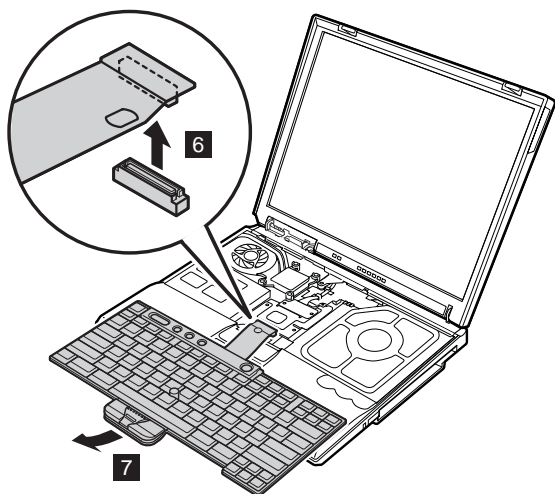
Step	Screw (quantity)	Torque
<b>1</b>	M2.5 x 8.5 mm, BK (2)	0.294 Nm (3 kgfcm)
<b>2</b>	M2.5 x 8.5 mm, BK (1)	0.294 Nm (3 kgfcm)

## Modem daughter card (MDC)

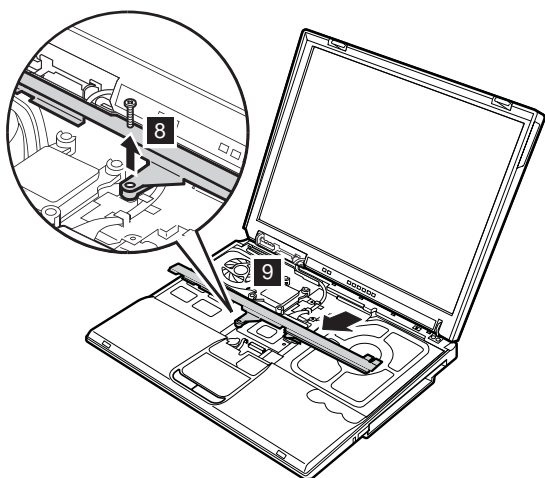


(continued)

## Removing and replacing a FRU

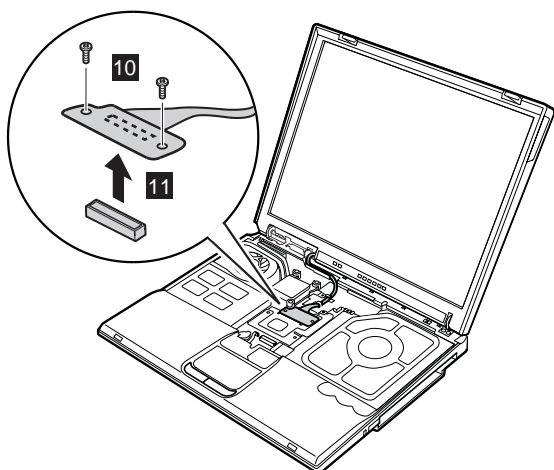


**When installing:** Make sure that connector **6** is firmly attached.

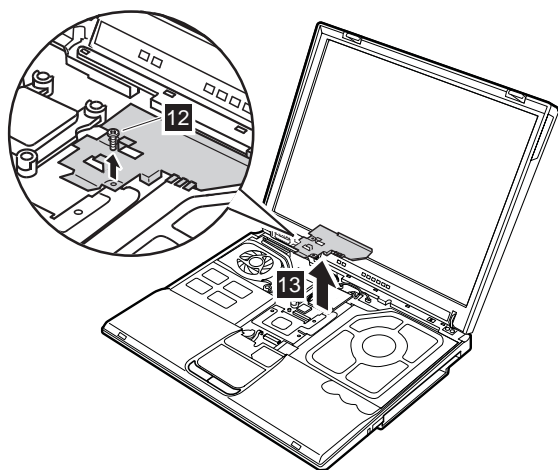


Step	Screw (quantity)	Torque
<b>8</b>	M2.5 x 6 mm, Yellow (1)	0.294 Nm (3 kgfcm)

(continued)

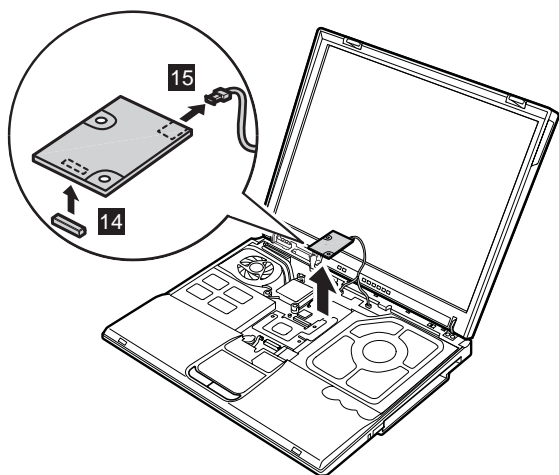


Step	Screw (quantity)	Torque
<b>10</b>	M2.0 x 3.5 mm, Silver (2)	0.294 Nm (3 kgfcm)



Step	Screw (quantity)	Torque
<b>12</b>	M2.0 x 3.5 mm, Silver (1)	0.294 Nm (3 kgfcm)

(continued)

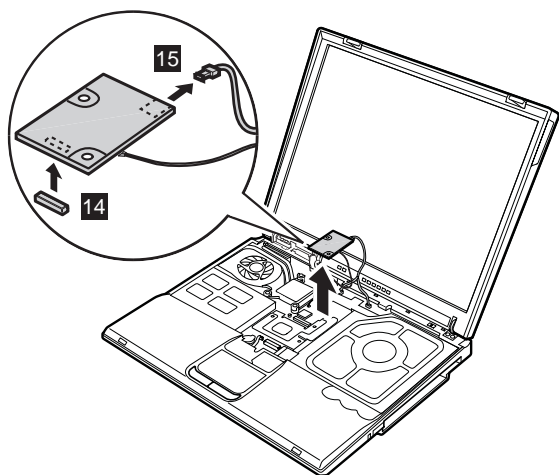


**When installing:** Make sure that connectors **14** and **15** are firmly attached.

## IBM Integrated Bluetooth with 56K Modem (BMDC)

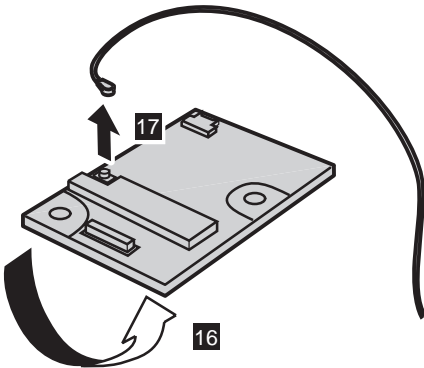
For machine type 2681, 2682, 2683, 2722, 2723, 2724

Following illustrations show the BMDC.



(continued)





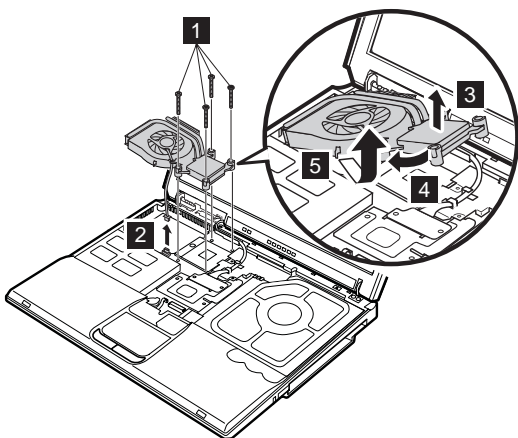
**When installing:** Make sure that antenna jack **17** is firmly attached.

**Note:** When unplugging the Bluetooth antenna jack **17**, do not pull the cable; it might snap. Unplug the jack by pulling a tab with your fingers.

## 1120 Fan assembly

For access, remove these FRUs, in order:

- “1010 Battery pack” on page 64
- “1060 Keyboard” on page 73
- “1100 Hinge cover” on page 87



Step	Screw (quantity)	Torque
<b>1</b>	M2 × 13 mm, Silver (4)	0.294 Nm (3 kgfcm)

**When installing:** Make sure that the connector **2** is firmly attached.

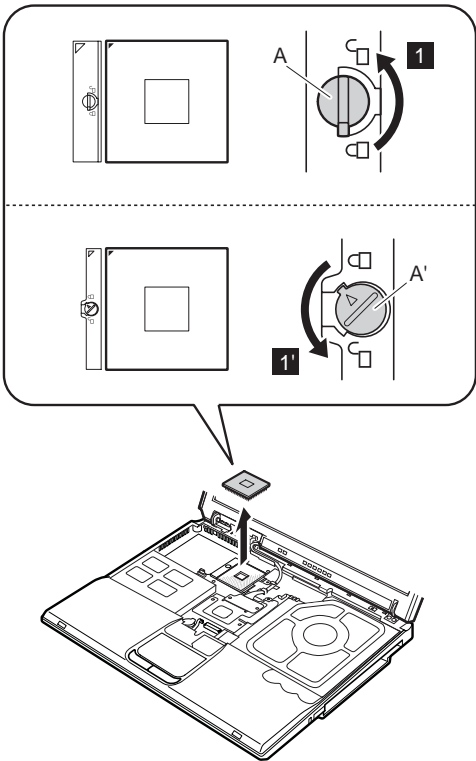
## 1130 CPU

For access, remove these FRUs, in order:

- “1010 Battery pack” on page 64
- “1060 Keyboard” on page 73
- “1100 Hinge cover” on page 87
- “1120 Fan assembly” on page 94

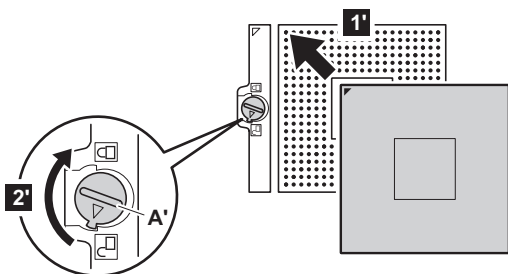
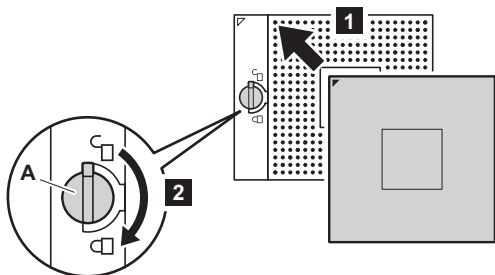
**Note:** There are two types of CPU socket. Confirm the socket type of the computer first.

Rotate the head of the screw (A) in the direction of the arrow **1** to release the lock; then remove the CPU.



*Removing and replacing a FRU*

**When installing:** Place the CPU on the CPU socket ( **1** ), and then rotate the head of the screw ( **A** ) in the direction of arrow **2** to secure the CPU.



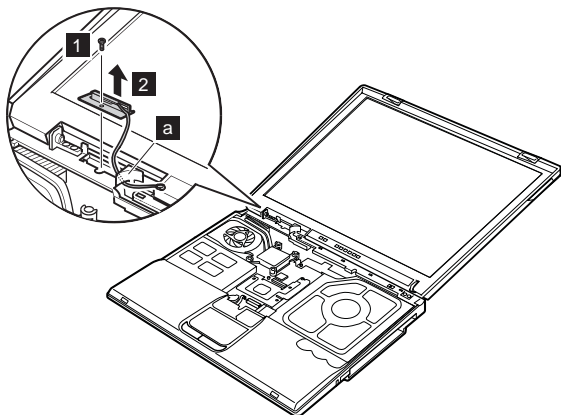
## 1140 Bluetooth antenna assembly

For access, remove these FRUs, in order:

- “1010 Battery pack” on page 64
- “1060 Keyboard” on page 73
- “1100 Hinge cover” on page 87

**For machine type 2681, 2682, 2683, 2722, 2723, 2724**

**Note:** Some models do not have the Bluetooth antenna.



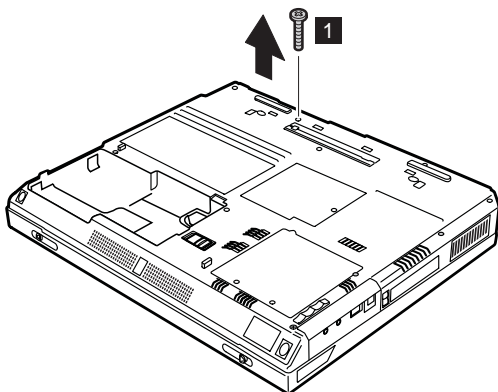
Step	Screw (quantity)	Torque
<b>1</b>	M2.0 × 3.5 mm, Silver (1)	0.294 Nm (3 kgfcm)

**When installing:** Route the Bluetooth antenna cable to fit firmly inside the cable guides on the base cover as shown in the figure **a**.

## 1150 LCD assembly

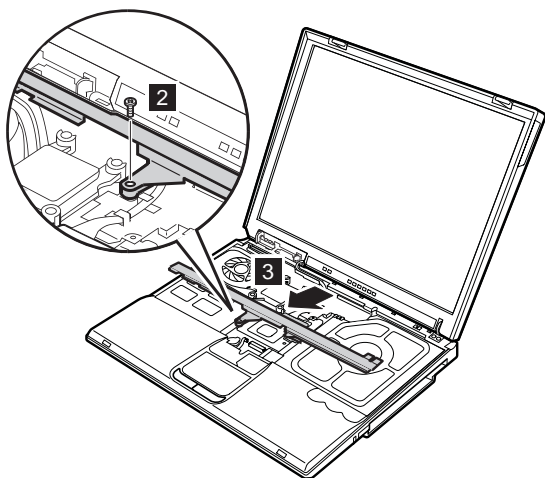
For access, remove these FRUs, in order:

- “1010 Battery pack” on page 64
- “1050 Mini PCI adapter” on page 70
- “1060 Keyboard” on page 73
- “1100 Hinge cover” on page 87
- “1110 Communication daughter card (CDC)” on page 88



Step	Screw (quantity)	Torque
<b>1</b>	M2.5 × 8.5 mm, Black (1)	0.294 Nm (3 kgfcm)

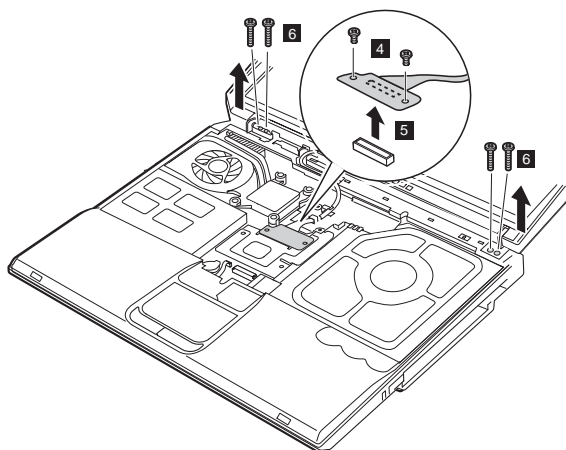
(continued)



Step	Screw (quantity)	Torque
2	M2.5 x 6 mm, Yellow (1)	0.294 Nm (3 kgfcm)

(continued)

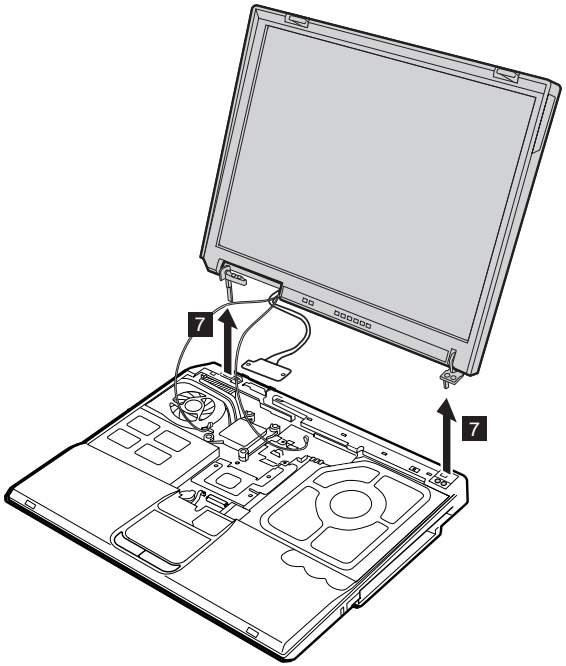
## Removing and replacing a FRU



Step	Screw (quantity)	Torque
<b>4</b>	M2.0 × 3.5 mm, Silver (2)	0.294 Nm (3 kgfcm)
<b>6</b>	M2.5 × 8.5 mm, Black (4)	0.294 Nm (3 kgfcm)

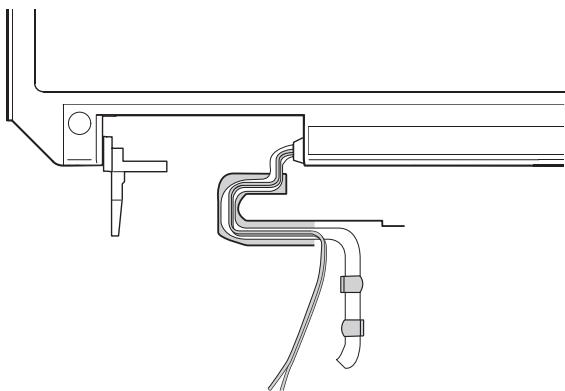
(continued)





*Removing and replacing a FRU*

**When installing:** Make sure that the antenna cables are routed along the cable holder as shown in this figure, and then attach the LCD assembly to the base cover by securing the screws.

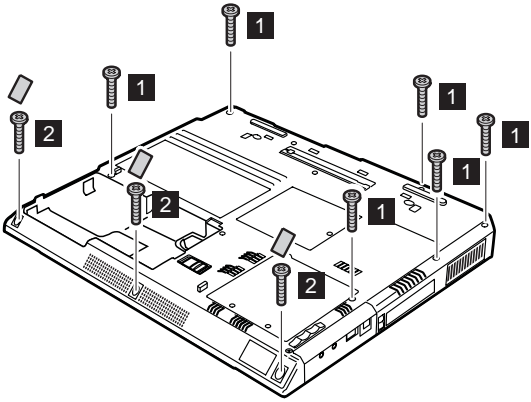


## 1160 Keyboard bezel

For access, remove these FRUs, in order:

- “1010 Battery pack” on page 64
- “1050 Mini PCI adapter” on page 70
- “1060 Keyboard” on page 73
- “1100 Hinge cover” on page 87
- “1150 LCD assembly” on page 98

For machine type 2681, 2682, 2683, 2722, 2723, 2724

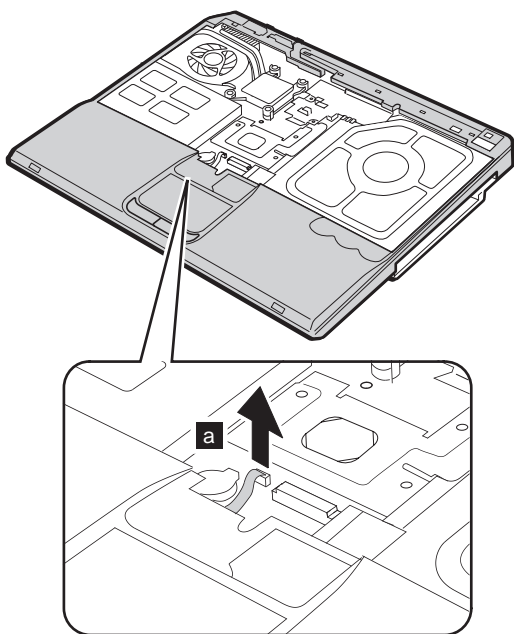


Step	Screw (quantity)	Torque
<b>1</b>	M2.5 × 8.5 mm, Black (6)	0.294 Nm (3 kgfcm)
<b>2</b>	M2.5 × 6 mm, Yellow (3)	0.294 Nm (3 kgfcm)

(continued)

### Removing and replacing a FRU

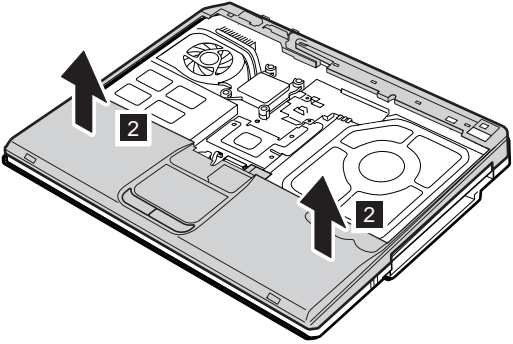
If the ThinkPad computer you are servicing has the touch pad, detach the connector **a** before removing the screws.



**When installing:** If the ThinkPad computer you are servicing has the touch pad, make sure that the connector **a** is firmly attached.

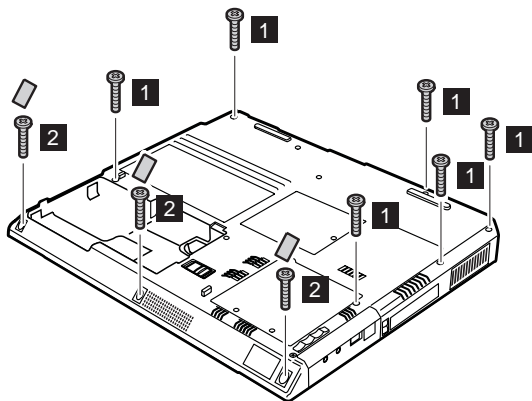
(continued)

Remove the keyboard bezel in the direction of arrow **2**.



Removing and replacing a FRU

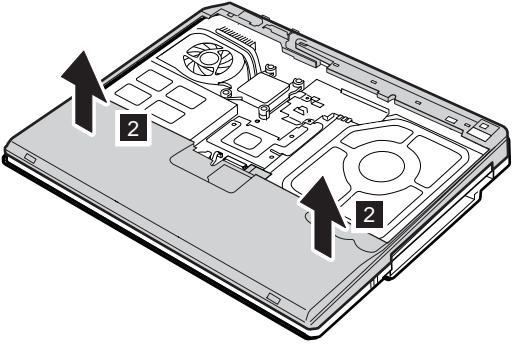
For machine type 2684, 2685



Step	Screw (quantity)	Torque
<b>1</b>	M2.5 × 8.5 mm, Black (6)	0.294 Nm (3 kgfcm)
<b>2</b>	M2.5 × 6 mm, Yellow (3)	0.294 Nm (3 kgfcm)

(continued)

Remove the keyboard bezel in the direction of arrow **2**.



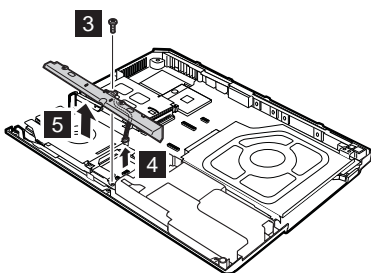
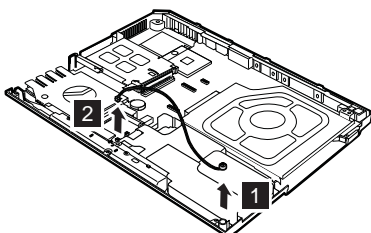
## 1170 Speaker assembly and microphone cable

For access, remove these FRUs, in order:

- “1010 Battery pack” on page 64
- “1050 Mini PCI adapter” on page 70
- “1060 Keyboard” on page 73
- “1150 LCD assembly” on page 98
- “1160 Keyboard bezel” on page 103

**Note:** Some models do not have the Microphone.

Detach the connectors **1**, **2**, and then remove the microphone cable.



Step	Screw (quantity)	Torque
<b>3</b>	M2.5 x 6 mm, Yellow (1)	0.294 Nm (3 kgfcm)



## 1180 System board

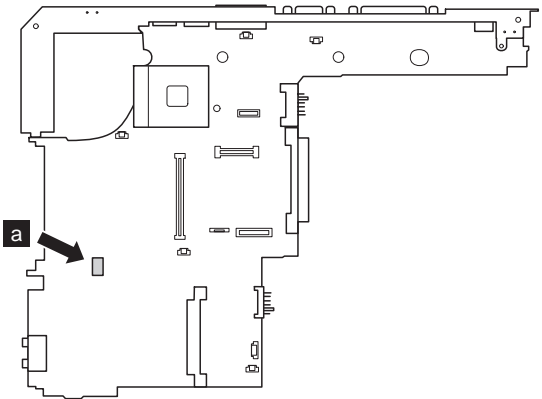
For access, remove these FRUs, in order:

- “1010 Battery pack” on page 64
- “1050 Mini PCI adapter” on page 70
- “1060 Keyboard” on page 73
- “1100 Hinge cover” on page 87
- “1150 LCD assembly” on page 98
- “1160 Keyboard bezel” on page 103
- “1170 Speaker assembly and microphone cable” on page 108

**For machine type 2681, 2682, 2683, 2722, 2723, 2724**

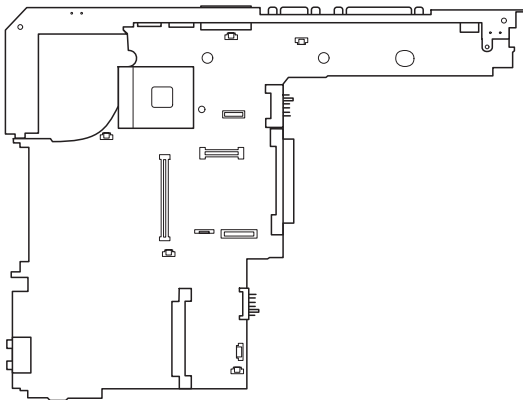
- System board with IBM security chip

**Note:** The security chip **a** is embedded on the system board.



## Removing and replacing a FRU

- System board without IBM security chip



Begin by checking the FRU number of the system board, and be sure to use the correct system board FRU for the computer. For the FRU numbers, see “Parts list” on page 134.

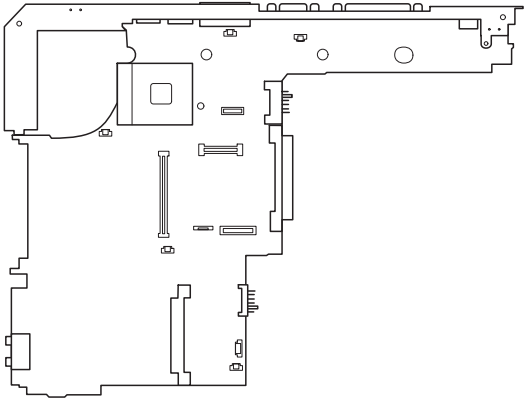
### Important

If the ThinkPad computer you are servicing has the security chip, mind the following:

- **Do not remove the security chip from the system board.** If the security chip is removed by accident, reinstall it on the system board immediately. Then make sure that it is firmly fixed on the system board and does not move easily.
- The security chip **cannot** be used with any other system board.
- The system board **cannot** be used with other security chip.
- The system board **cannot** be used without the security chip.
- When you return the defective system board FRU, you must check whether the security chip is firmly attached to the system board. If it is not embedded, it may not be covered under warranty.

**For machine type 2684, 2685**

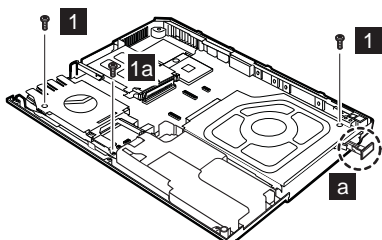
- System board without IBM security chip



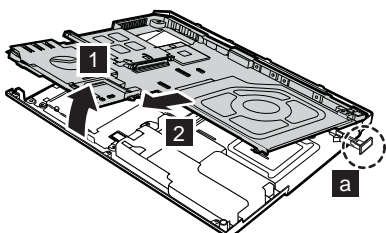
Begin by checking the FRU number of the system board, and be sure to use the correct system board FRU for the computer. For the FRU numbers, see “Parts list” on page 134.

## Removing and replacing a FRU

For machine type 2681, 2682, 2683, 2722, 2723, 2724



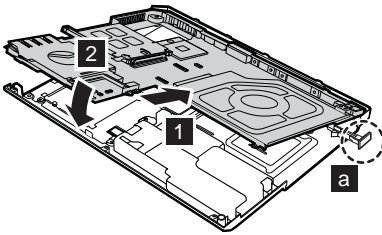
Step	Screw (quantity)	Torque
<b>1</b>	M2.5 × 6 mm, Yellow (2)	0.294 Nm (3 kgfcm)
<b>1 + 1a</b>	M2.5 × 6 mm, Yellow (3)	0.294 Nm (3 kgfcm)



**Note:** To remove the system board, the lever **a** must be pulled out.

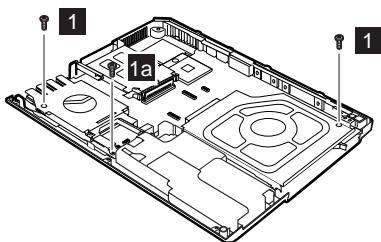
**When installing:**

- Attach the system board so that the two small projections on the base cover fit into the holes provided.
- Make sure that the lever **a** must be pulled out.

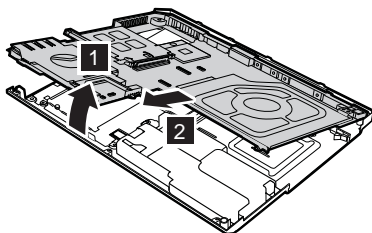


Removing and replacing a FRU

For machine type 2684, 2685

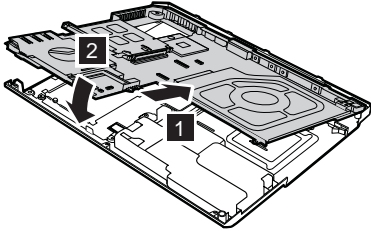


Step	Screw (quantity)	Torque
<b>1</b>	M2.5 × 6 mm, Yellow (2)	0.294 Nm (3 kgfcm)
<b>1 + 1a</b>	M2.5 × 6 mm, Yellow (3)	0.294 Nm (3 kgfcm)



**When installing:**

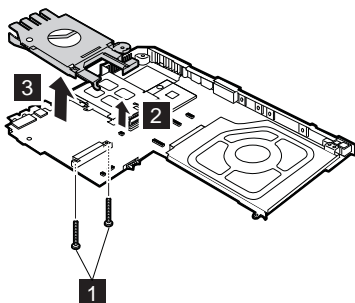
- Attach the system board so that the two small projections on the base cover fit into the holes provided.



## 1190 Hard-disk drive slot

For access, remove these FRUs, in order:

- “1010 Battery pack” on page 64
- “1050 Mini PCI adapter” on page 70
- “1060 Keyboard” on page 73
- “1070 Backup battery” on page 81
- “1090 PC Card slot assembly” on page 85
- “1100 Hinge cover” on page 87
- “1150 LCD assembly” on page 98
- “1160 Keyboard bezel” on page 103
- “1170 Speaker assembly and microphone cable” on page 108
- “1180 System board” on page 109



Step	Screw (quantity)	Torque
<b>1</b>	M2 × 13 mm, Silver (2)	0.294 Nm (3 kgfcm)

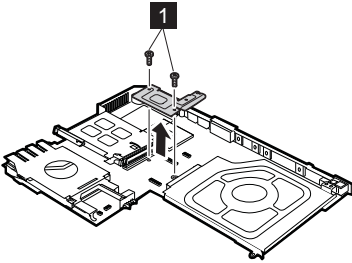
**When installing:** Make sure that the connector **2** is firmly attached, and then secure the screws.



## 2000 Ultrabay Plus guide rail

For access, remove these FRUs, in order:

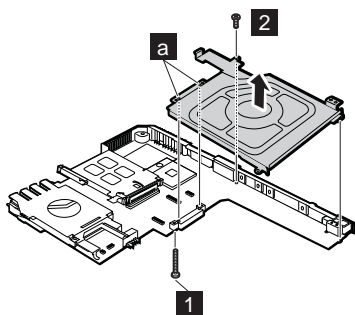
- “1010 Battery pack” on page 64
- “1050 Mini PCI adapter” on page 70
- “1060 Keyboard” on page 73
- “1100 Hinge cover” on page 87
- “1150 LCD assembly” on page 98
- “1160 Keyboard bezel” on page 103



Step	Screw (quantity)	Torque
<b>1</b>	M2.0 × 3.5 mm, Silver (2)	0.294 Nm (3 kgfcm)

(continued)

## Removing and replacing a FRU



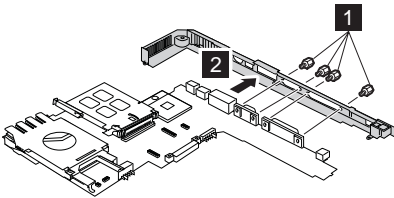
Step	Screw (quantity)	Torque
<b>1</b>	M2 × 13 mm, Silver (1)	0.294 Nm (3 kgfcm)
<b>2</b>	M2.0 × 3.5 mm, Silver (1)	0.294 Nm (3 kgfcm)

**When installing:** Attach the Ultrabay Plus guide rail so that the two small projections on the ultrabay device connector fit into the holes **a** provided, and then secure the screws.

## 2010 I/O Bracket

For access, remove these FRUs, in order:

- “1010 Battery pack” on page 64
- “1020 Ultrabay Plus device” on page 65
- “1030 Hard-disk drive” on page 66
- “1040 DIMM” on page 68
- “1050 Mini PCI adapter” on page 70
- “1060 Keyboard” on page 73
- “1100 Hinge cover” on page 87
- “1150 LCD assembly” on page 98
- “1160 Keyboard bezel” on page 103
- “1180 System board” on page 109
- “2000 Ultrabay Plus guide rail” on page 117



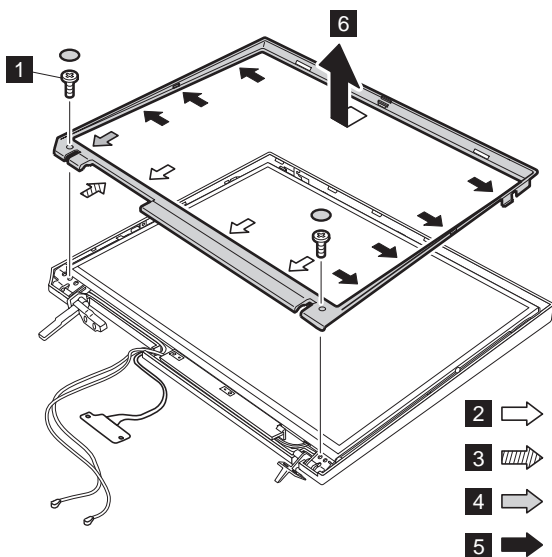
Step	Screw (quantity)	Torque
<b>1</b>	Hex stud (4)	0.294 Nm (3 kgfcm)

## 2020 LCD front bezel

For access, remove these FRUs, in order:

- “1010 Battery pack” on page 64
- “1050 Mini PCI adapter” on page 70
- “1060 Keyboard” on page 73
- “1100 Hinge cover” on page 87
- “1150 LCD assembly” on page 98

After removing screws **1** and detach all of the latches **2** to **6** in order.



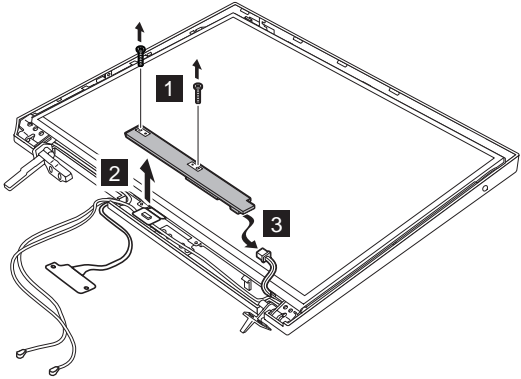
Step	Screw (quantity)	Torque
<b>1</b>	M2.5 × 6 mm, Yellow (2)	0.294 Nm (3 kgfcm)

**When installing:** Make sure that all of the latches of the LCD front bezel are firmly attached to the LCD cover.

## 2030 Inverter card

For access, remove these FRUs, in order:

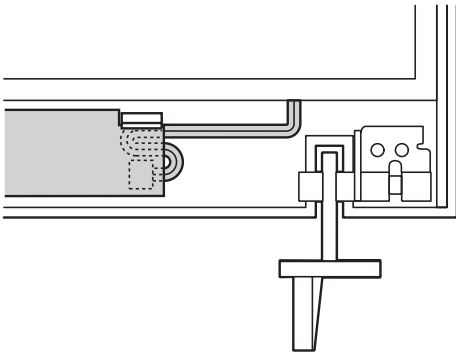
- “1010 Battery pack” on page 64
- “1050 Mini PCI adapter” on page 70
- “1060 Keyboard” on page 73
- “1100 Hinge cover” on page 87
- “1150 LCD assembly” on page 98
- “2020 LCD front bezel” on page 120



Step	Screw (quantity)	Torque
<b>1</b>	M2.5 × 5 mm, Black (2)	0.294 Nm (3 kgfcm)

**When installing:** Make sure that connectors **2** and **3** are firmly attached.

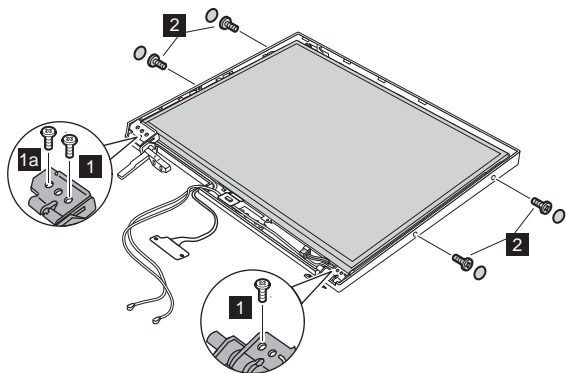
**Cable routing:** When replacing the inverter card, route the connector cable as in the following figure:



## 2040 LCD panel and LCD cable assembly

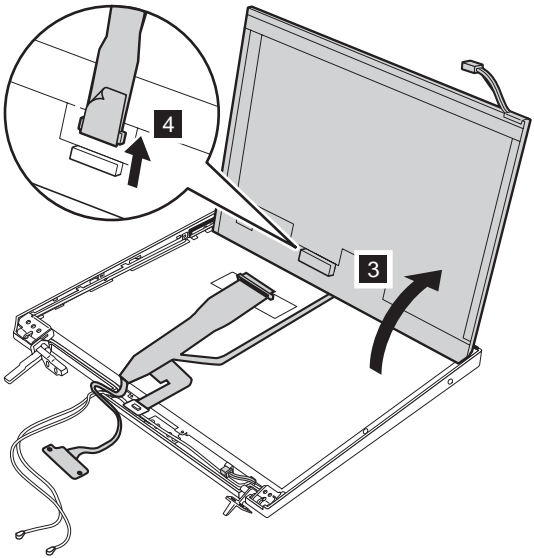
For access, remove these FRUs, in order:

- “1010 Battery pack” on page 64
- “1050 Mini PCI adapter” on page 70
- “1060 Keyboard” on page 73
- “1100 Hinge cover” on page 87
- “1150 LCD assembly” on page 98
- “2020 LCD front bezel” on page 120
- “2030 Inverter card” on page 121



Step	Screw (quantity)	Torque
<b>1</b>	M2.5 × 5 mm, Black (2) 13 and 14 inch	0.343 Nm (3.5 kgfcm)
<b>1 + 1a</b>	M2.5 × 5 mm, Black (3) 15 inch	0.343 Nm (3.5 kgfcm)
<b>2</b>	M2.0 × 4.0 mm, Black (4)	0.196 Nm (2 kgfcm)

(continued)



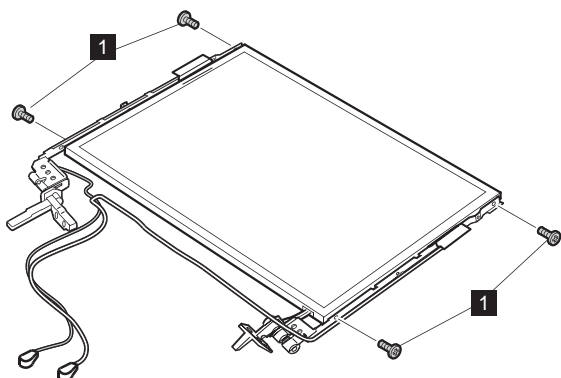
When installing the LCD panel, do the following:

- Place the FPC connector under the black antenna cable.
- Make sure that the antenna cables are firmly routed to fit to the cable guides of the LCD cover.
- Make sure that the antenna cables are not pinched under the LCD panel.

## 2050 Antenna assembly, hinges, and LCD cover

For access, remove these FRUs, in order:

- “1010 Battery pack” on page 64
- “1050 Mini PCI adapter” on page 70
- “1060 Keyboard” on page 73
- “1100 Hinge cover” on page 87
- “1150 LCD assembly” on page 98
- “2020 LCD front bezel” on page 120
- “2030 Inverter card” on page 121
- “2040 LCD panel and LCD cable assembly” on page 122

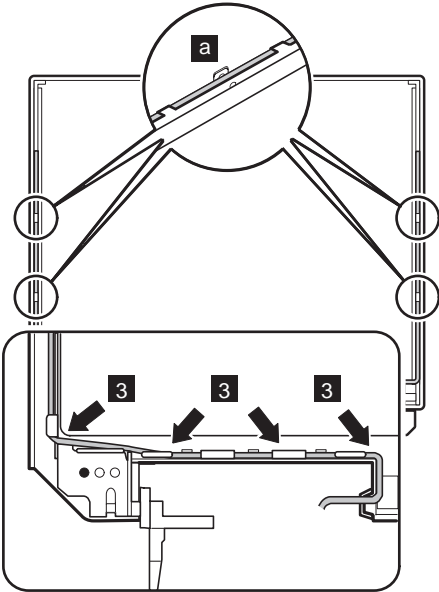


Step	Screw (quantity)	Torque
<b>1</b>	M2.0 × 3.5 mm, Silver (4)	0.196 Nm (2 kgfcm)



To install the antenna assembly, do as follows:

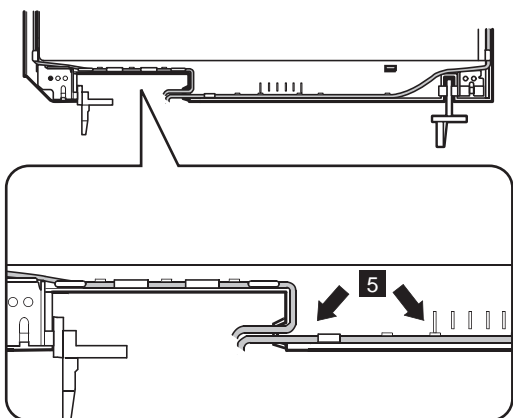
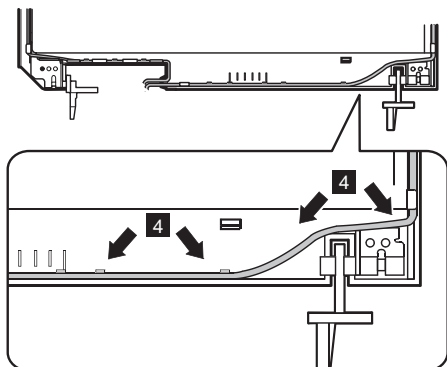
1. Make sure that the antenna assembly and hinges are firmly attached; there are some projections ( **a** ) on the hinges to fix the antenna assembly into place. And then, route the gray cable (*MAIN*) as in this figure.



(continued)

*Removing and replacing a FRU*

2. Route the black cable (AUX) as in figures **4** and **5**.



3. Secure the antenna assembly and hinges with screws to the LCD cover.

## Locations

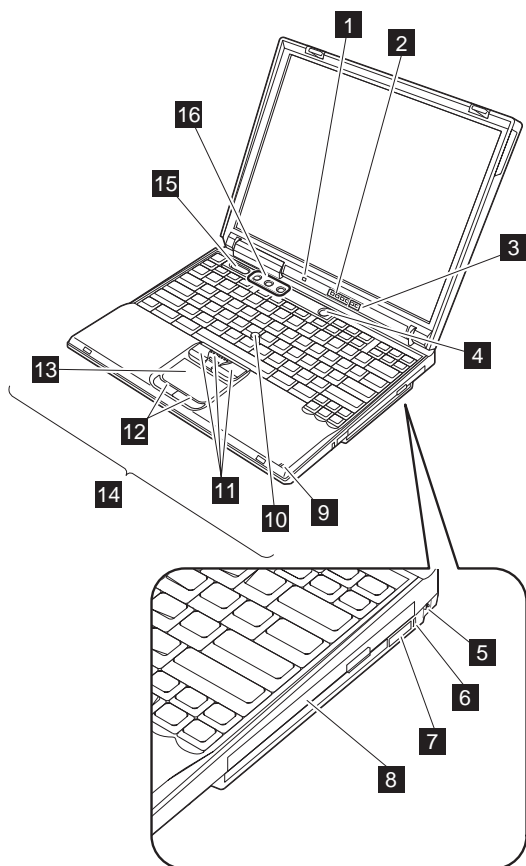
### Front view for 2681, 2682, 2683, 2722, 2723, 2724

- |          |  |
|----------|--|
| <b>1</b> | Bluetooth/Wireless LAN status indicator (on some models) |
| <b>2</b> | System status indicators                                 |
| <b>3</b> | Power status indicators                                  |
| <b>4</b> | Power switch   |
| <b>5</b> | Ultrabay Plus latch                                      |
| <b>6</b> | Ultrabay Plus status indicator                           |
| <b>7</b> | Ultrabay Plus device eject lever                         |
| <b>8</b> | Ultrabay Plus  |

**Note:** The Ultrabay Plus accepts several storage devices, such as a DVD drive, a CD-RW drive, or a DVD/CD-RW combo drive, and also accepts an Ultrabay Plus carrier.

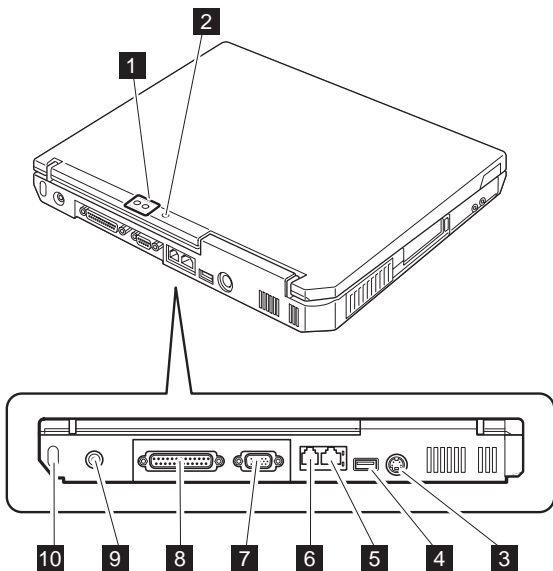
- |           |                           |
|-----------|---------------------------|
| <b>9</b>  | Built-in microphone       |
| <b>10</b> | TrackPoint pointing stick |
| <b>11</b> | TrackPoint buttons        |
| <b>12</b> | Touch pad buttons         |
| <b>13</b> | Touch pad                 |
| <b>14</b> | UltraNav                  |
| <b>15</b> | Access IBM button         |
| <b>16</b> | Volume control buttons    |

Locations



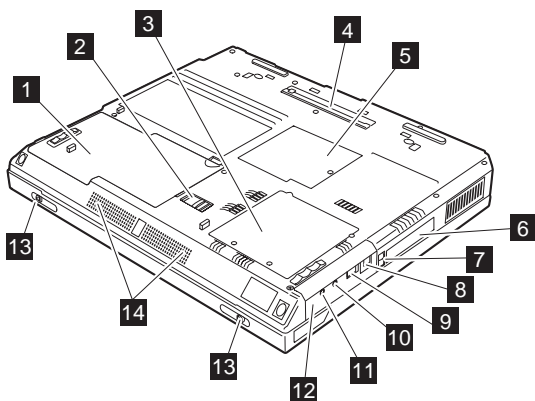
## Rear view for 2681, 2682, 2683, 2722, 2723, 2724

- 1** Power status indicators
- 2** Bluetooth status indicator (on some models)
- 3** S-Video-out connector
- 4** Universal serial bus (USB) connector
- 5** Ethernet connector
- 6** Modem connector
- 7** External-monitor connector
- 8** Parallel connector
- 9** AC power connector
- 10** Security keyhole



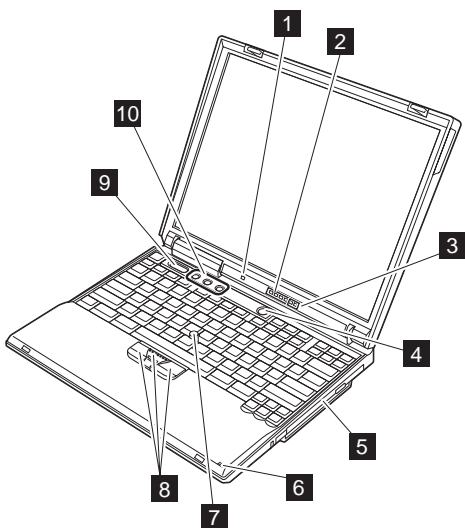
## Bottom view for 2681, 2682, 2683, 2722, 2723, 2724

- 1** Battery pack
- 2** Battery pack latches
- 3** DIMM slots
- 4** Docking connector
- 5** Mini PCI card slot
- 6** PC Card slots
- 7** PC Card eject buttons
- 8** IEEE 1394 (on some models)
- 9** USB connector
- 10** Stereo headphone jack
- 11** Microphone jack
- 12** Hard-disk drive
- 13** LCD latches
- 14** Built-in stereo speakers



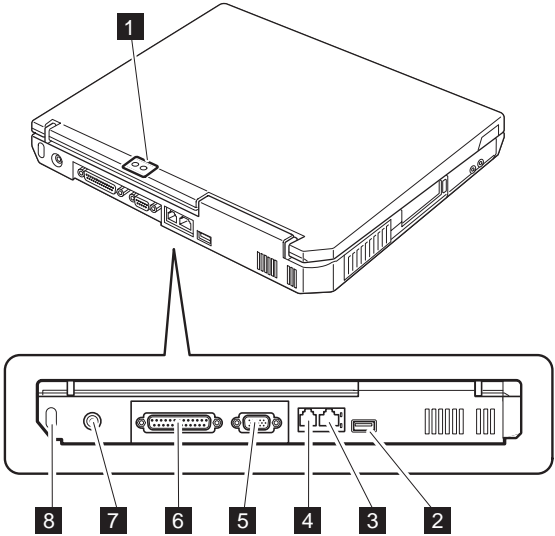
**Front view for 2684, 2685**

- |           |  |
|-----------|--|
| <b>1</b>  | Wireless LAN status indicator (on some models) |
| <b>2</b>  | System status indicators                       |
| <b>3</b>  | Power status indicators                        |
| <b>4</b>  | Power switch                                   |
| <b>5</b>  | Optical storage drive in the fixed bay         |
| <b>6</b>  | Built-in microphone                            |
| <b>7</b>  | TrackPoint pointing stick                      |
| <b>8</b>  | TrackPoint buttons                             |
| <b>9</b>  | Access IBM button                              |
| <b>10</b> | Volume control buttons                         |



### Rear view for 2684, 2685

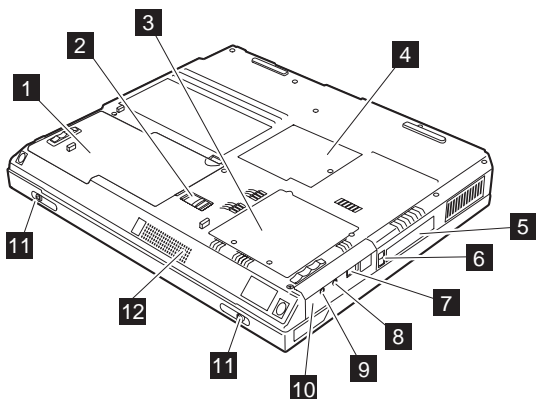
- 1** Power status indicators
- 2** Universal serial bus (USB) connector
- 3** Ethernet connector
- 4** Modem connector
- 5** External-monitor connector
- 6** Parallel connector
- 7** AC power connector
- 8** Security keyhole





**Bottom view for 2684, 2685**

- |           |                       |
|-----------|-----------------------|
| <b>1</b>  | Battery pack          |
| <b>2</b>  | Battery pack latches  |
| <b>3</b>  | DIMM slots            |
| <b>4</b>  | Mini PCI card slot    |
| <b>5</b>  | PC Card slots         |
| <b>6</b>  | PC Card eject buttons |
| <b>7</b>  | USB connector         |
| <b>8</b>  | Stereo headphone jack |
| <b>9</b>  | Microphone jack       |
| <b>10</b> | Hard-disk drive       |
| <b>11</b> | LCD latches           |
| <b>12</b> | Built-in mono speaker |



## Parts list

### R40 series model matrix

The R40 series includes several models. The following table summarizes the characteristics of each model, to help you determine which FRU in the part list meets your need.

#### For machine type 2681, 2682, 2683, 2722, 2723, 2724

Model	CPU	LCD	Bay device	Mini PCI
ATI M6 16MB/ Memory 128MB/ HDD 20GB				
2681-1Ax	Cel 1.6G	13.3 in, XGA	CDROM	802.11a/b
2681-15x				Ready
2681-11x				—
2681-13x			DVD	
2681-28x		14.1 in, XGA	Combo	Ready
2681-25x			CDROM	
2681-21x				—
2681-23x			DVD	
2681-35x, 37x		15 in, XGA	CDROM	Ready
2681-45x	Cel 1.8G	14.1 in, XGA	Combo	
2681-43x			DVD	
2681-A1x	P4 1.8G	13.3 in, XGA	CDROM	—
2681-A2x			DVD	
2681-B1x		14.1 in, XGA	CDROM	
2681-C1x, C8x	P4 1.9G			Ready
2722-22x, 24x	PM 1.3G			
ATI M6 16MB/ Memory 128MB/ HDD 40GB				
2681-C3x	P4 1.9G	14.1 in, XGA	DVD	—

(continued)

Model	CPU	LCD	Bay device	Mini PCI
ATI M6 16MB/ Memory 256MB/ HDD 20GB				
2681-26x	Cel 1.6G	14.1 in, XGA	CDROM	—
2681-29x				802.11b
2681-24x			DVD	—
2681-22x			CDROM	
2681-44x, 46x	Cel 1.8G	15 in XGA	Combo	Ready
2681-57x			Blank Bezel	
2681-B8x	P4 1.8G	14.1 in, XGA	CDROM	—
2681-B7x				Ready
2681-B4x, B9x			DVD	
2681-BAx, BBx, BCx, BDx, B5x	P4 1.9G	15 in, XGA	Combo	Ready
2681-CNx, C2x				
2681-CAx				
2681-C9x			DVD	—
2681-CEx				Ready
2681-CDx				
2681-DBx	15 in, XGA	DVD	802.11a/b	
2681-D9x			—	
2681-DCx			Ready	
2682-CAx	PM 1.3G	14.1 in, XGA	DVD	Cisco
2723-26x, 27x 2722-2Bx, 29x, 27x				
2723-2Sx				802.11b
2722-2Px, 2Qx				
2722-2Fx			CDROM	Ready
2722-23x, 25x				
2722-47x	15 in, XGA	DVD		

(continued)

Parts list

Model	CPU	LCD	Bay device	Mini PCI	
ATI M6 16MB/ Memory 256MB/ HDD 20GB					
2683-FAx	P4 2.0G	14.1 in, XGA	DVD	Ready	
2682-FAx, F9x					
2682-FEx				Cisco	
2682-G9x		15 in, XGA	CDROM	Ready	
2681-F9x, FAX		14.1 in, XGA			
2681-F8x					
2681-G8x		15 in, XGA			DVD
2681-G9x, G2x					Blank Bezel
2681-GGx					
ATI M6 16MB/ Memory 256MB/ HDD 40GB					
2681-CFx, C6x	P4 1.9G	14.1 in, XGA	Combo	Ready	
2681-C5x			CDROM		
2681-C4x		DVD			
2681-D5x		15 in, XGA	CDROM		
2681-FFx	P4 2.0G	14.1 in, XGA	Combo	802.11b	
2681-FDx, FCx			DVD		
2681-FBx			Ready		
2681-F1x		15 in, XGA	Combo	—	
2681-GFx			Ready		
2681-G3x			DVD		
2681-K4x, 2682-K4x	P4 2.2G			Cisco	
2682-K2x, 2683-K2x				Ready	
2722-2Cx	PM 1.3G	14.1 in, XGA		Ready	
2722-2Jx					Combo
2722-95x	PM 1.4G		DVD		
ATI M6 16MB/ Memory Open/ HDD Open					
2681-2Ux	Cel 1.6G	14.1 in, XGA	Open	Ready	
2681-3Ux		15 in, XGA			
2681-FTx	P4 2.0G	14.1 in, XGA			
2722-2Yx	PM 1.3G				

(continued)

Model	CPU	LCD	Bay device	Mini PCI
ATI M7 32MB/ Memory 256/ HDD 20GB				
2722-39x	PM 1.3G	14.1 in, XGA	DVD	Ready
2722-3Gx			Combo	
2722-59x		15 in, XGA	DVD	
2722-A2x	PM 1.4G	14.1 in, XGA	Combo	
ATI M7 32MB/ Memory 256/ HDD 40GB				
2681-DHx	P4 1.9G	15 in, XGA	DVD	Ready
2681-DGx			CDROM	802.11b
2681-DJx				—
2681-DKx			Combo	802.11b
2681-D7x			DVD	Ready
2681-DMx			CDROM	—
2681-ELx, EPx		15 in, SXGA+	Combo	Ready
2681-G6x	P4 2.0G	14.1 in, XGA	Blank Bezel	802.11b
2681-F4x			Combo	
2681-F5x				
2681-F6x			DVD	Ready
2681-G6x, GHx, GJx		15 in, XGA	Blank Bezel	802.11b
2682-GHx				
2682-GKx				
2682-GLx			Cisco	
2681-HPx		15 in, SXGA+	Blank Bezel	Ready
2681-HNx			Combo	
2681-J1x	P4 2.2G	14.1 in, XGA		802.11b
2681-K8x		15 in, XGA	Blank Bezel	Ready
2681-K3x, 2682-K3x			DVD	

(continued)

Parts list

Model	CPU	LCD	Bay device	Mini PCI	
ATI M7 32MB/ Memory 256MB/ HDD 40GB					
2723-3Lx	PM 1.3G	14.1 in, XGA	Combo	802.11a/b	
2722-3Jx			DVD	Ready	
2722-3Cx				15 in, XGA	Cisco
2723-58x, 2722-5Ax, 58x, 5Cx		Combo			Ready
2723-5Tx					802.11a/b
2722-5Jx, 5Nx		15 in, SXGA+		802.11b	
2723-6Lx				14.1 in, XGA	Ready
2722-6Mx		15 in, XGA	Blank Bezel		
2722-A3x			PM 1.4G	DVD	802.11b
2722-A6x	15 in, XGA			Cisco	
2722-A8x		Combo		Ready	
2724-B4x 2723-B4x, B5x, F2x 2722-B4x, B5x				Blank Bezel	802.11b
2724-BAx 2723-BAx 2722-B7x		DVD			
2723-BSx 2722-BSx				Combo	
2722-B3x, B9x		15 in, SXGA+			Combo
2722-B6x					
2722-C3x	PM 1.5G	15 in, XGA		DVD	
2722-F2x		15 in, SXGA+	Combo	802.11b	
2722-GAx					

(continued)

Model	CPU	LCD	Bay device	Mini PCI
ATI M7 32MB/ Memory 256MB/ HDD 60GB				
2681-L5x, L6x 2681-L6x	P4 2.2G	15 in, SXGA+	Combo	802.11b
2681-L7x				Ready
2723-GBx 2722-GCx, GBx	PM 1.5G	15 in, SXGA+		802.11b
2722-GDx				802.11a/b
2722-G3x				Ready
ATI M7 32MB/ Memory Open/ HDD Open				
2681-2Tx	Cel 1.6G	14.1 in, XGA	Blank Bezel	Ready
2681-DTx	P4 1.9G	15 in, XGA		802.11b
2681-DUx				—
2681-FUx	P4 2.0G	14.1 in, XGA	Open	Ready
2681-GUx		15 in, XGA		
2681-JUx	P4 2.2G	14.1 in, XGA		
2681-LUx		15 in, SXGA+		
2722-3Yx	PM 1.3G	14.1 in, XGA		
2722-5Yx		15 in, XGA		
2722-6Yx		15 in, SXGA+		
2722-AYx	PM 1.4G	14.1 in, XGA		
2722-BYx		15 in, XGA		
2722-CYx		15 in, SXGA+		
2722-EYx	PM 1.5G	14.1 in, XGA		
2722-FYx		15 in, XGA		
2722-GYx		15 in, SXGA+		

Parts list

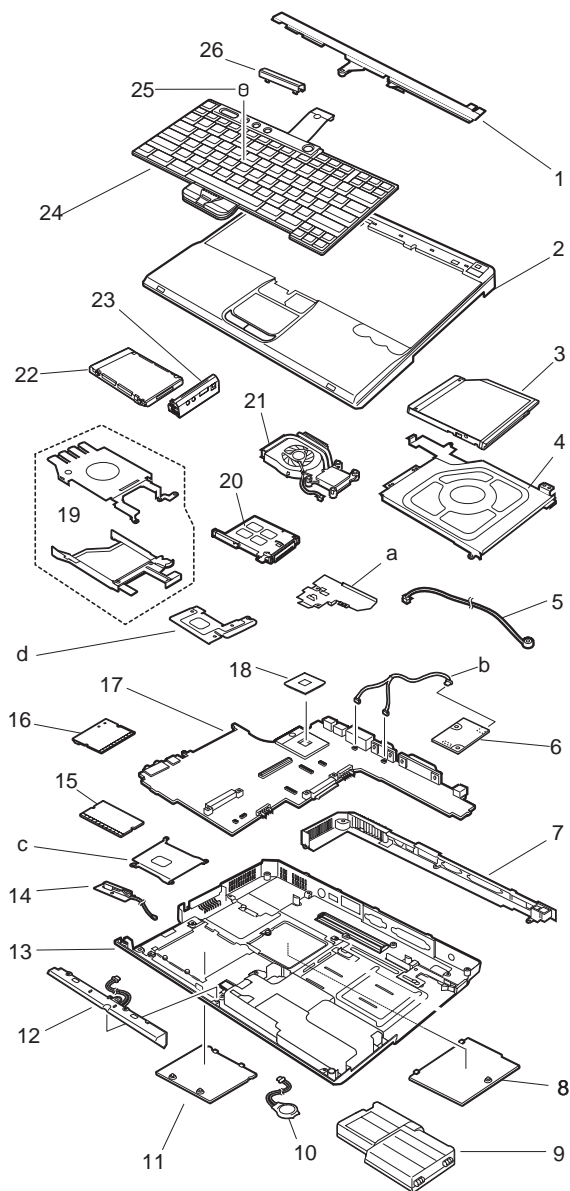
**For machine type 2684, 2685**

Model	CPU	LCD	Bay device	Mini PCI
Integrated shared/ Memory 128MB/ HDD 20GB				
2684-22x 2685-22x	Cel 1.7G	13.3 in, XGA	CDROM	Open
2684-23x			DVD	
2684-43x		14.1 in, XGA	CDROM	
2684-4Tx, 42x, 4Ux, 46x				
2684-4Cx				
2684-A2x	P4 1.8G	13.3 in, XGA	DVD	Open
2684-A3x				
2684-B2x, B6x		14.1 in, XGA	CDROM	
2684-B3x			DVD	
Integrated shared/ Memory 256MB/ HDD 20GB				
2684-53x	Cel 1.7G	14.1 in, XGA	DVD	Open
2684-52x, 56x			CDROM	
2684-54x, 5Ax			Combo	
2684-C3x, C8x, C9x, CVx, C7x	P4 1.8G		DVD	
2684-C6x			CDROM	
2684-CAx			Combo	
Integrated shared/ Memory 256MB/ HDD 40GB				
2684-65x, 6Bx	Cel 1.8G	14.1 in, XGA	Combo	802.11b
2684-C5x	P4 1.8G			
2684-CFx			CDROM	Open
2684-CDx			Combo	802.11b
2684-CBx				
Integrated shared/ Memory Open/ HDD Open				
2684-8Wx	Cel 1.7G	14.1 in, XGA	CDROM	Open
2684-8Xx			Combo	
2684-DXx	P4 1.8G			
2684-DWx			CDROM	



## Overall

For machine type 2681, 2682, 2683



### *Parts list*

- Each FRU is available for all types or model, unless specific types or models are specified.
- A CRU (Customer Replaceable Units) is identified by a single asterisk (\*) or two asterisks (\*\*) in the CRU ID column. An N in the CRU ID column means that the part is not a CRU. A single asterisk (\*) means that the part is a Tier 1 CRU; two asterisks (\*\*) mean that the part is a Tier 2 CRU.

#### **Tier 1 CRU:**

(Example- Mouse, External Keyboard, and Hard-disk drive with coin screw)

- NO TOOLS ARE REQUIRED.
- A coin or a thumb screw is acceptable.
- Minimal technical expertise is required.
- Minimal problem determination is required-less than 5 minutes.

#### **Tier 2 CRU:**

(Example- Adapter card, ThinkPad memory)

- Up to 4 screws or fasteners have to be removed.
- Some technical experience is required.
- HelpCenter assistance may be used.
- Problem determination can be done by customer, either on site or with HelpCenter assistance.

(continued)

No.	FRU	P/N	CRU ID
a - d	See "Miscellaneous parts" on page 164.		
1	KBD bezel Middle cover ASM (15 in TFT)	46P3104	N
	KBD bezel Middle cover ASM (13/14 in TFT)	46P3105	N
2	KBD bezel Upper case (15 in TFT)	46P3102	N
	KBD bezel Upper case (13/14 in TFT)	46P3103	N
3	CD-ROM TEAC CD-224E-C	27L3436	*
	CD-ROM LG CRN-8245B	27L4301	*
	DVD MKE SR-8177	27L4351	*
	DVD Hitachi GDR-8081N	27L4355	*
	Combo x16x10x8x24 HLDS GCC-4160	08K9820	*
	Combo x16x10x8x24 KME UJDA-730	08K9818	*
	Combo IV x24x10x8x24 HLDS GCC-4240N	08K9868	*
	Combo IV x24x10x8x24 KME UJDA-740	92P5995	*
	For optional Ultrabay Plus devices, see "Optional FRUs" on page 169.		
4	Ultrabay Plus guide rail assembly	46P3120	N
5	Microphone cable assembly	91P6796	N
6	Communication daughter card (CDC)		
	CDC Modem card	26P8477	N
		26P8256	N
7	I/O bracket	46P3124	N
8	Mini PCI door kit	46P3118	**
9	Main battery Li-Ion Sanyo — W/W	02K7054	*
		02K7055	*
	Main battery Li-Ion Sanyo — Japan	02K7058	*
		02K7059	*
	Main battery Li-Ion Panasonic — W/W	02K7056	*
		02K7057	*
Main battery Li-Ion Panasonic — Japan	02K7060	*	
	02K7061	*	
10	Backup battery	92P0991	N
11	DIMM door kit	46P3118	**
12	Speaker kit	46P3097	N
13	Lower Case w/ label W/W —wireless (15 in TFT) M/T 2681	46P3106	N
	Lower Case w/ label EMEA —wireless (15 in TFT) M/T 2681	46P3107	N

Parts list

No.	FRU	P/N	CRU ID
13	Lower Case w/ label IIPC —wireless (15 in TFT) M/T 2681	46P3108	N
	Lower Case w/ label Korea —wireless (15 in TFT) M/T 2681	46P3109	N
	Lower Case w/ label Taiwan —wireless (15 in TFT) M/T 2681	46P3110	N
	Lower Case w/ label W/W —wireless (13/14 in TFT) M/T 2681	46P3111	N
	Lower Case w/ label EMEA —wireless (13/14 in TFT) M/T 2681	46P3112	N
	Lower Case w/ label IIPC —wireless (13/14 in TFT) M/T 2681	46P3113	N
	Lower Case w/ label Korea —wireless (13/14 in TFT) M/T 2681	46P3114	N
	Lower Case w/ label Taiwan —wireless (13/14 in TFT) M/T 2681	46P3115	N
	Lower Case w/ label W/W —wireless (15 in TFT) M/T 2682	91P8569	N
	Lower Case w/ label EMEA —wireless (15 in TFT) M/T 2682	91P8570	N
	Lower Case w/ label IIPC —wireless (15 in TFT) M/T 2682	91P8571	N
	Lower Case w/ label Korea —wireless (15 in TFT) M/T 2682	91P8572	N
	Lower Case w/ label Taiwan —wireless (15 in TFT) M/T 2682	91P8573	N
	Lower Case w/ label W/W —wireless (13/14 in TFT) M/T 2682	91P8574	N
	Lower Case w/ label EMEA —wireless (13/14 in TFT) M/T 2682	91P8575	N
	Lower Case w/ label IIPC —wireless (13/14 in TFT) M/T 2682	91P8576	N
	Lower Case w/ label Korea —wireless (13/14 in TFT) M/T 2682	91P8577	N
	Lower Case w/ label Taiwan —wireless (13/14 in TFT) M/T 2682	91P8578	N
	Lower Case w/ label W/W —wireless (15 in TFT) M/T 2683	91P8579	N
	Lower Case w/ label EMEA —wireless (15 in TFT) M/T 2683	91P8580	N
	Lower Case w/ label IIPC —wireless (15 in TFT) M/T 2683	91P8581	N
	Lower Case w/ label Korea —wireless (15 in TFT) M/T 2683	91P8582	N
	Lower Case w/ label Taiwan —wireless (15 in TFT) M/T 2683	91P8583	N

(continued)

No.	FRU	P/N	CRU ID
13	Lower Case w/ label W/W —wireless (13/14 in TFT) M/T 2683	91P8584	N
	Lower Case w/ label EMEA —wireless (13/14 in TFT) M/T 2683	91P8585	N
	Lower Case w/ label IIPC —wireless (13/14 in TFT) M/T 2683	91P8586	N
	Lower Case w/ label Korea —wireless (13/14 in TFT) M/T 2683	91P8587	N
	Lower Case w/ label Taiwan —wireless (13/14 in TFT) M/T 2683	91P8588	N
	Lower Case w/ label W/W —no wireless (15 in TFT) M/T 2681	91P8862	N
	Lower Case w/ label IIPC —no wireless (15 in TFT) M/T 2681	91P8864	N
	Lower Case w/ label W/W —no wireless (13/14 in TFT) M/T 2681	91P8867	N
	Lower Case w/ label IIPC —no wireless (13/14 in TFT) M/T 2681	91P8869	N
	Lower Case w/ label Korea —no wireless (13/14 in TFT) M/T 2681	91P8870	N
	Lower Case w/ label Taiwan —no wireless (13/14 in TFT) M/T 2681	91P8871	N
	Lower Case w/ label W/W —wireless 802.11a/b Lee(15 in TFT) M/T 2681	91P8892	N
	Lower Case w/ label W/W —wireless 802.11a/b Lee(13/14 in TFT) M/T 2681	91P8893	N
	Lower Case w/ label W/W —wireless 802.11a/b Lee(15 in TFT) M/T 2682	91P8894	N
	Lower Case w/ label W/W —wireless 802.11a/b Lee(13/14 in TFT) M/T 2682	91P8895	N
Lower Case w/ label W/W —wireless 802.11a/b Lee(15 in TFT) M/T 2683	91P8896	N	
Lower Case w/ label W/W —wireless 802.11a/b Lee(13/14 in TFT) M/T 2683	91P8897	N	
14	Bluetooth antenna assembly depending on the model	91P6806	N
15	CARD ASM DDR — 128MB	10K0029	**
	CARD ASM DDR — 256MB	10K0031	**
	CARD ASM DDR — 512MB	10K0033	**

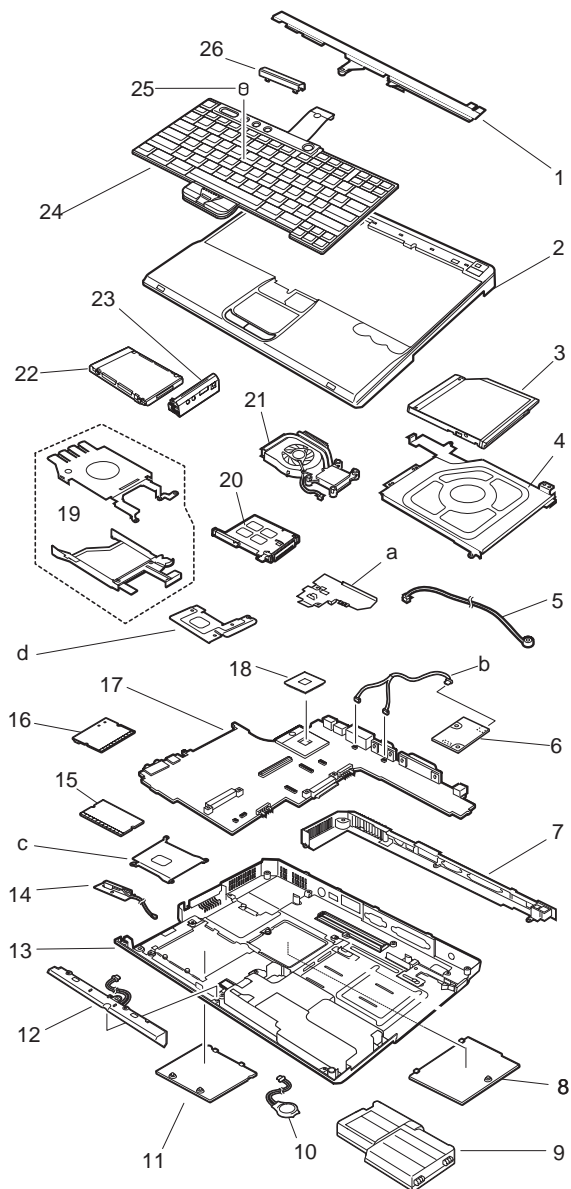
Parts list

No.	FRU	P/N	CRU ID
16	802.11b Cisco Wireless Card (Sherman III) — North America	26P8496	**
	802.11b Cisco Wireless Card (Sherman III) — EMEA	26P8498	**
	802.11b Cisco Wireless Card (Sherman III) — Japan	26P8500	**
	802.11b Cisco Wireless Card (Sherman III) — China	26P8502	**
	802.11b Actiontec Wireless Card (Braxton)	26P8421	**
	802.11a/b Philips Wireless Card (Lee) — W/W	26P8506	N
17	Planar for P4/Cel M6 w/o security card, w/o 1394 peak shift	26P8401	N
	Planar for P4/Cel M6 w/ security card, w/o 1394 peak shift	91P7167	N
	Planar for P4/Cel M6 w/o security card, w/ 1394 peak shift	26P8402	N
	Planar for P4 M7 w/ security card, w/ 1394 peak shift	26P8403	N
	Planar for P4 M7 w/ security card, w/o 1394 peak shift	26P8404	N
18	CPU P-4 2.4GHz	91P7205	N
	CPU P-4 2.2GHz	91P7204	N
	CPU P-4 2.0GHz	91P7203	N
	CPU P-4 1.9GHz	91P7202	N
	CPU P-4 1.8GHz	91P7201	N
	CPU Cel 1.8GHz	91P7169	N
	CPU Cel 1.6GHz	26P8416	N
19	Hard-disk guide rail assembly	46P3120	N
20	PC card slot (15 in TFT)	46P3100	N
	PC card slot (13/14 in TFT)	46P3101	N
21	Fan ASM	46P3099	N
22	HDD w/ tray and screws 20GB Hitachi	08K9827	**
	HDD w/ tray and screws 20GB Fujitsu	92P6000	**
	HDD w/ tray and screws 40GB Hitachi	08K9828	**
	HDD w/ tray and screws 40GB Fujitsu	92P6001	**
	HDD w/ tray and screws 60GB Hitachi	08K9829	**
	HDD w/ tray and screws 60GB Fujitsu	92P6002	**
23	Hard-disk drive cover (15 in TFT)	46P3116	**
	Hard-disk drive cover (13/14 in TFT)	46P3117	**
24	Keyboard** (see "Keyboard" on page 160.)		
25	Pointing stick cap set	91P8898	*

No.	FRU	P/N	CRU ID
26	Hinge cap	46P3096	N
—	Modem cable w/o core	91P6798	*
—	Cable asm kit, RJ11	46P3098	N
—	LG/IBM Logo Kit	91P8903	*
—	Recovery CD (see "Recovery CDs" on page 161.)		
—	AC adapter (see "AC adapters" on page 167.)		

Parts list

For machine type 2722, 2723, 2724





No.	FRU	P/N	CRU ID
a - d	See "Miscellaneous parts" on page 164.		
1	KBD bezel Middle cover ASM (15 in TFT)	46P3104	N
	KBD bezel Middle cover ASM (13/14 in TFT)	46P3105	N
2	KBD bezel Upper case (15 in TFT)	46P3102	N
	KBD bezel Upper case (13/14 in TFT)	46P3103	N
3	CD-ROM TEAC CD-224E-C	27L3436	*
	CD-ROM LG CRN-8245B	27L4301	*
	DVD MKE SR-8177	27L4351	*
	DVD Hitachi GDR-8081N	27L4355	*
	Combo x16x10x8x24 HLDS GCC-4160	08K9820	*
	Combo x16x10x8x24 KME UJDA-730	08K9818	*
	Combo IV x24x10x8x24 HLDS GCC-4240N	08K9868	*
	Combo IV x24x10x8x24 KME UJDA-740	92P5995	*
	For optional Ultrabay Plus devices, see "Optional FRUs" on page 169.		
4	Ultrabay Plus guide rail assembly	46P3120	N
5	Microphone cable assembly	91P6796	N
6	Communication daughter card (CDC)		
	CDC Modem card	26P8477	N
	Bluetooth/Modem Combo card	91P7259	N
7	I/O bracket	46P3124	N
8	Mini PCI door kit	46P3118	**
9	Main battery Li-Ion Sanyo — W/W	02K7054	*
		02K7055	*
	Main battery Li-Ion Sanyo — Japan	02K7058	*
		02K7059	*
	Main battery Li-Ion Panasonic — W/W	02K7056	*
		02K7057	*
	Main battery Li-Ion Panasonic — Japan	02K7060	*
		02K7061	*
10	Backup battery	92P0991	N
11	DIMM door kit	46P3118	**
12	Speaker kit	46P3097	N
13	Lower Case w/ label W/W —wireless (15 in TFT) M/T 2722	91P9595	N
	Lower Case w/ label W/W —wireless (13/14 in TFT) M/T 2722	91P9596	N

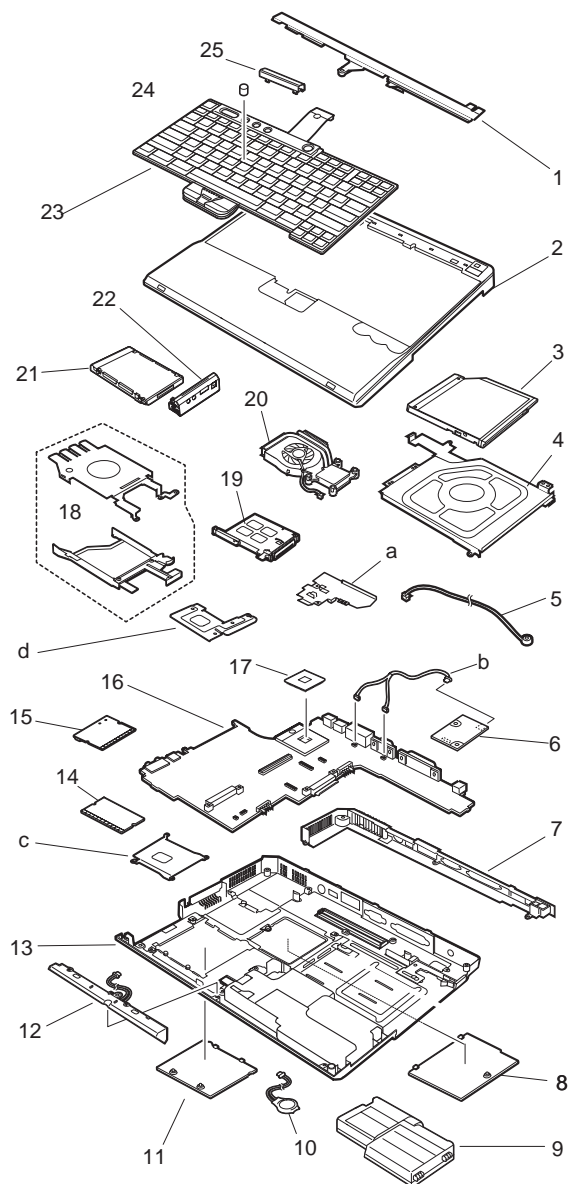
Parts list

No.	FRU	P/N	CRU ID
13	Lower Case w/ label EMEA —wireless (13/14 in TFT) M/T 2722	91P9597	N
	Lower Case w/ label IIPC —wireless (13/14 in TFT) M/T 2722	91P9598	N
	Lower Case w/ label Korea —wireless (13/14 in TFT) M/T 2722	91P9599	N
	Lower Case w/ label Taiwan —wireless (13/14 in TFT) M/T 2722	91P9600	N
	Lower Case w/ label W/W —wireless (13/14 in TFT) M/T 2723	91P9601	N
	Lower Case w/ label EMEA —wireless (13/14 in TFT) M/T 2723	91P9602	N
	Lower Case w/ label IIPC —wireless (13/14 in TFT) M/T 2723	91P9603	N
	Lower Case w/ label Korea —wireless (13/14 in TFT) M/T 2723	91P9604	N
	Lower Case w/ label Taiwan —wireless (13/14 in TFT) M/T 2723	91P9605	N
	Lower Case w/ label W/W —wireless (15 in TFT) M/T 2723	91P9611	N
	Lower Case w/ label W/W —wireless (13/14 in TFT) M/T 2724	91P9606	N
	Lower Case w/ label EMEA —wireless (13/14 in TFT) M/T 2724	91P9607	N
	Lower Case w/ label IIPC —wireless (13/14 in TFT) M/T 2724	91P9608	N
	Lower Case w/ label Korea —wireless (13/14 in TFT) M/T 2724	91P9609	N
	Lower Case w/ label Taiwan —wireless (13/14 in TFT) M/T 2724	91P9610	N
	Lower Case w/ label W/W —wireless (15 in TFT) M/T 2724	91P9612	N
	Lower Case w/ label W/W —wireless 802.11a/b (15 in TFT) M/T 2722	91P9619	N
	Lower Case w/ label W/W —wireless 802.11a/b (13/14 in TFT) M/T 2722	91P9620	N
	Lower Case w/ label W/W —wireless 802.11a/b (15 in TFT) M/T 2723	91P9621	N
	Lower Case w/ label W/W —wireless 802.11a/b (13/14 in TFT) M/T 2723	91P9622	N
Lower Case w/ label W/W —wireless 802.11a/b (15 in TFT) M/T 2724	91P9623	N	
Lower Case w/ label W/W —wireless 802.11a/b (13/14 in TFT) M/T 2724	91P9624	N	

No.	FRU	P/N	CRU ID
14	Bluetooth antenna assembly depending on the model	91P6806	N
15	CARD ASM DDR — 128MB	10K0029	**
	CARD ASM DDR — 256MB	10K0031	**
	CARD ASM DDR — 512MB	10K0033	**
16	802.11b Wireless Card (Calexico-b)	91P7143	**
17	Planar for Ban M6 w/ security card, w/ 1394 peak shift	26P8406	N
	Planar for Ban M6 w/ security card, w/o 1394 peak shift	26P8407	N
18	CPU Ban 1.6GHz	91P7217	N
	CPU Ban 1.5GHz	26P8414	N
	CPU Ban 1.4GHz	26P8415	N
	CPU Ban 1.3GHz	92P7216	N
19	Hard-disk guide rail assembly	46P3120	N
20	PC card slot (15 in TFT)	46P3100	N
	PC card slot (13/14 in TFT)	46P3101	N
21	Fan ASM	46P3099	N
22	HDD w/ tray and screws 20GB Hitachi	08K9827	**
	HDD w/ tray and screws 20GB Fujitsu	92P6000	**
	HDD w/ tray and screws 40GB Hitachi	08K9828	**
	HDD w/ tray and screws 40GB Fujitsu	92P6001	**
	HDD w/ tray and screws 60GB Hitachi	08K9829	**
	HDD w/ tray and screws 60GB Fujitsu	92P6002	**
23	Hard-disk drive cover (15 in TFT)	46P3116	**
	Hard-disk drive cover (13/14 in TFT)	46P3117	**
24	Keyboard** (see "Keyboard" on page 160.)		
25	Pointing stick cap set	91P8898	*
26	Hinge cap	46P3096	N
—	Modem cable w/o core	91P6798	*
—	Cable asm kit, RJ11	46P3098	N
—	LG/IBM Logo Kit	91P8903	*
—	Recovery CD (see "Recovery CDs" on page 161.)		
—	AC adapter (see "AC adapters" on page 167.)		

Parts list

For machine type 2684, 2685



No.	FRU	P/N	CRU ID
<i>a - d</i>	See "Miscellaneous parts" on page 164.		
1	KBD bezel Middle cover ASM (13/14 in TFT)	46P3105	N
2	KBD bezel Upper case (13/14 in TFT)	91P9628	N
3	CD-ROM TEAC CD-224E-C (Bare)	08K9841	*
	CD-ROM LG CRN-8245B (Bare)	08K9839	*
	DVD MKE SR-8177 (Bare)	08K9845	*
	DVD Hitachi GDR-8081N (Bare)	08K9847	*
	Combo IV x24x10x8x24 TEAC (Bare)	92P6016	*
	Combo IV x24x10x8x24 KME UJDA-740 (Bare)	92P5999	*
4	Bay Guide Assembly	91P9640	N
5	Microphone cable assembly	02K6210	N
6	Communication daughter card (CDC)		
	CDC Modem card	26P8477	N
7	I/O bracket	46P3124	N
8	Mini PCI door kit	91P9638	**
9	Main battery Li-Ion (6cell) Sanyo	92P0987	*
	Main battery Li-Ion (6cell) Sanyo	92P0988	*
	Main battery Li-Ion (6cell) Panasonic	92P0989	*
	Main battery Li-Ion (6cell) Panasonic	92P0990	*
10	Backup battery	92P0991	N
11	DIMM door kit	91P9638	**
12	Speaker kit (mono)	91P8199	N
13	Lower Case w/ label W/W —wireless (13/14 in TFT) M/T 2684	91P9629	N
	Lower Case w/ label W/W —no wireless (13/14 in TFT) M/T 2684	91P9630	N

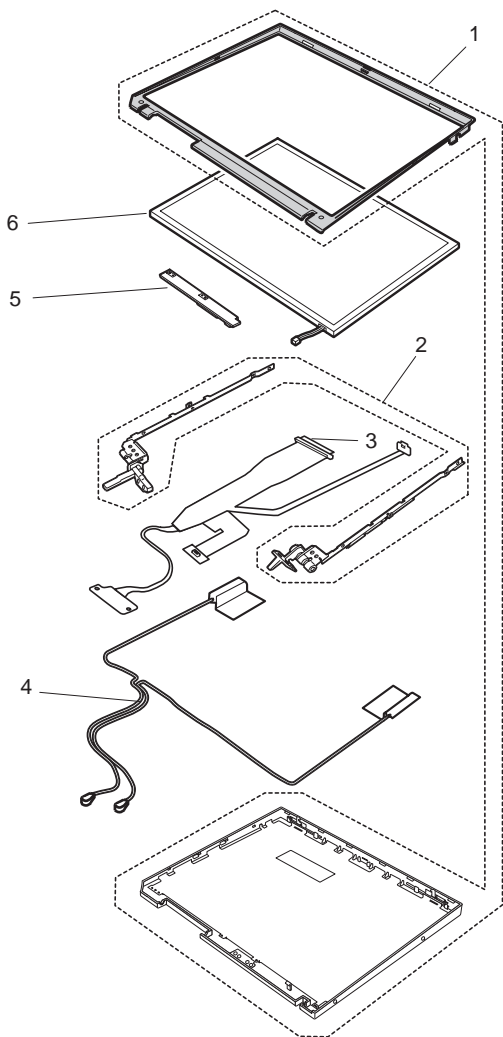
Parts list

No.	FRU	P/N	CRU ID
13	Lower Case w/ label EMEA —no wireless (13/14 in TFT) M/T 2684	91P9631	N
	Lower Case w/ label IIPC —no wireless (13/14 in TFT) M/T 2684	91P9632	N
	Lower Case w/ label Korea —no wireless (13/14 in TFT) M/T 2684	91P9633	N
	Lower Case w/ label Taiwan —no wireless (13/14 in TFT) M/T 2684	91P9634	N
	Lower Case w/ label W/W —no wireless (13/14 in TFT) M/T 2685	91P9635	N
	Lower Case w/ label Taiwan —no wireless (13/14 in TFT) M/T 2685	91P9636	N
14	CARD ASM DDR — 128MB	10K0029	**
	CARD ASM DDR — 256MB	10K0031	**
	CARD ASM DDR — 512MB	10K0033	**
15	802.11b Actiontec Wireless Card (Braxton)	26P8421	**
16	Planar for P4/Cel w/ Mini PCI (Planar P/N 91P7268)	91P7270	N
17	CPU P-4 2.2GHz	91P7204	N
	CPU P-4 2.0GHz	91P7203	N
	CPU P-4 1.9GHz	91P7202	N
	CPU P-4 1.8GHz	91P7201	N
	CPU Cel 2.0GHz	91P7272	N
	CPU Cel 1.8GHz	91P7169	N
	CPU Cel 1.7GHz	91P7273	N

(continued)

No.	FRU	P/N	CRU ID
18	Hard-disk guide rail assembly	91P9640	N
19	PC card slot (13/14 in TFT)	46P3101	N
20	Fan ASM	46P3099	N
21	HDD w/ tray and screws 20GB Hitachi	08K9827	**
	HDD w/ tray and screws 20GB Fujitsu	92P6000	**
	HDD w/ tray and screws 40GB Hitachi	08K9828	**
	HDD w/ tray and screws 40GB Fujitsu	92P6001	**
	HDD w/ tray and screws 60GB Hitachi	08K9829	**
	HDD w/ tray and screws 60GB Fujitsu	92P6002	**
22	Hard-disk drive cover (13/14 in TFT)	46P3117	**
23	Keyboard** (see "Keyboard" on page 160.)		
24	Pointing stick cap set	91P8898	*
25	Hinge cap	46P3096	N
—	Modem cable w/o core	91P6798	*
—	Cable ASM kit, RJ11	91P6803	N
—	LGIBM Logo kit	91P8903	*
—	Recovery CD (see "Recovery CDs" on page 161.)		
—	AC adapter (see "AC adapters" on page 167.)		

# LCD FRUs





**13/14 in. TFT****For machine type 2681, 2682, 2683**

No.	FRU	P/N	CRU ID
1	LCD Bezel ASM (13 in TFT)	46P3092	N
	LCD Bezel ASM (14 in TFT)	46P3091	N
	LCD Rear Cover ASM (13/14 in TFT)-Wireless	46P3089	N
	LCD Rear Cover ASM (13/14 in TFT)-no Wireless	91P8498	N
2	LCD Hinge/bracket kit w/ antenna (13/14 in TFT)	46P3094	N
	LCD Hinge/bracket kit (13/14 in TFT)	91P8633	N
3	LCD Cable ASM (13 in XGA, wireless 30P)	08K4069	N
	LCD Cable ASM (13 in XGA, no-wireless 20P)	91P6791	N
	LCD Cable ASM (14 in XGA, wireless 30P)	08K4068	N
	LCD Cable ASM (14 in XGA, no-wireless 20P)	91P6790	N
4	Antenna kit	08K4071	N
5	LCD Inverter/LED card	26P8400	N
	LCD Inverter card no-wireless	26P8413	N
6	LCD Panel ASM 13 in (Tori-Sanyo)	92P6643	N
	LCD Panel ASM 13 in (LG)	92P6645	N
	LCD Panel ASM 14 in (LG)	11P8283	N
	LCD Panel ASM 14 in (Samsung)	11P8364	N
	LCD Panel ASM 14 in (DBU)	92P6641	N

**For machine type 2722, 2723, 2724**

No.	FRU	P/N	CRU ID
1	LCD Bezel ASM (14 in TFT)	46P3091	N
	LCD Rear Cover ASM (13/14 in TFT)-Wireless	46P3089	N
2	LCD Hinge/bracket kit w/ antenna (13/14 in TFT)	46P3094	N
3	LCD Cable ASM (14 in XGA, wireless 30P)	08K4068	N
4	Antenna kit	08K4071	N
5	LCD Inverter/LED card	26P8400	N
6	LCD Panel ASM 14 in (LG)	11P8283	N
	LCD Panel ASM 14 in (Samsung)	11P8364	N
	LCD Panel ASM 14 in (DBU)	92P6641	N

## For machine type 2684, 2685

No.	FRU	P/N	CRU ID
1	LCD Bezel ASM (13 in TFT)	91P9627	N
	LCD Bezel ASM (14 in TFT)	91P9626	N
	LCD Rear Cover ASM (13/14 in TFT)-Wireless	46P3089	N
	LCD Rear Cover ASM (13/14 in TFT)-no Wireless	91P8498	N
2	LCD Hinge/bracket kit w/ antenna (13/14 in TFT)	46P3094	N
	LCD Hinge/bracket kit (13/14 in TFT)	91P8633	N
3	LCD Cable ASM (13 in XGA, no-wireless 20P, w/o Thinklight)	91P6802	N
	LCD Cable ASM (14 in XGA, wireless 30P, w/o Thinklight)	91P6800	N
	LCD Cable ASM (14 in XGA, no-wireless 20P, w/o Thinklight)	91P6801	N
4	Antenna kit	08K4071	N
5	LCD Inverter/LED card	26P8400	N
	LCD Inverter card no-wireless	26P8413	N
6	LCD Panel ASM 13 in (Tori-Sanyo)	92P6643	N
	LCD Panel ASM 13 in (LG)	92P6645	N
	LCD Panel ASM 14 in (LG)	11P8283	N
	LCD Panel ASM 14 in (Samsung)	11P8364	N
	LCD Panel ASM 14 in (DBU)	92P6641	N

## 15 in. TFT

## For machine type 2681, 2682, 2683

No.	FRU	P/N	CRU ID
1	LCD Bezel ASM	46P3090	N
	LCD Rear Cover ASM-Wireless	46P3088	N
	LCD Rear Cover ASM- no Wireless	91P8497	N
2	LCD Hinge/bracket kit w/ antenna	46P3093	N
	LCD Hinge/bracket kit	91P8632	N
3	LCD Cable ASM (XGA, wireless 30P)	08K4067	N
	LCD Cable ASM (XGA, no-wireless 20P)	91P6789	N
	LCD Cable ASM (SXGA+, wireless 30P)	08K4070	N
4	Antenna kit	08K4071	N
5	LCD Inverter/LED card	26P8400	N
	LCD Inverter card no-wireless	26P8413	N

No.	FRU	P/N	CRU ID
6	LCD Panel ASM XGA (LGP)	11P8310	N
	LCD Panel ASM XGA (Hitachi)	11P8311	N
	LCD Panel ASM SXGA (Samsung)	11P8312	N
	LCD Panel ASM SXGA (Hitachi)	11P8313	N

**For machine type 2722, 2723, 2724**

No.	FRU	P/N	CRU ID
1	LCD Bezel ASM	46P3090	N
	LCD Rear Cover ASM-Wireless	46P3088	N
2	LCD Hinge/bracket kit w/ antenna	46P3093	N
3	LCD Cable ASM (XGA, wireless 30P)	08K4067	N
	LCD Cable ASM (SXGA+, wireless 30P)	08K4070	N
4	Antenna kit	08K4071	N
5	LCD Inverter/LED card	26P8400	N
6	LCD Panel ASM XGA (LGP)	11P8310	N
	LCD Panel ASM XGA (Hitachi)	11P8311	N
	LCD Panel ASM SXGA (Samsung)	11P8312	N
	LCD Panel ASM SXGA (Hitachi)	11P8313	N

**Keyboard**

Language	P/N (NMB)	P/N (Chicony)	CRU ID
Arabic	08K4743	08K4771	**
Belgian	08K4740	08K4768	**
Chinese, Traditional	08K4754	08K4782	**
Czech	08K4748	08K4776	**
Danish	08K4737	08K4765	**
Dutch	08K4734	08K4762	**
English, U.K.	08K4732	08K4760	**
English, U.S.	08K4729	08K4757	**
French, Canadian	08K4730	08K4758	**
French, European	08K4733	08K4761	**
German	08K4731	08K4759	**
Greek	08K4750	08K4778	**
Hungarian	08K4749	08K4777	**
Hebrew	08K4745	08K4773	**
Italian	08K4738	08K4766	**
Japanese	08K4753	08K4781	**
Korean	08K4755	08K4783	**
Norwegian	08K4736	08K4764	**
Polish	08K4746	08K4774	**
Portuguese	08K4742	08K4770	**
Russian	08K4744	08K4772	**
Slovakian	08K4752	08K4780	**
Slovenian	08K4751	08K4779	**
Spanish, European	08K4739	08K4767	**
Spanish, Latin American	08K4756	08K4784	**
Swedish or Finnish	08K4735	08K4763	**
Swiss	08K4741	08K4769	**
Turkish	08K4747	08K4775	**

## Recovery CDs

### For Windows 2000 Professional

Windows 2000 Professional is preinstalled as the operating system in some models.

Language	P/N	CRUID
Arabic	01R6922	*
Czech	01R6923	*
Danish	01R6913	*
Dutch	01R6920	*
English, U.K.	01R6911	*
English, U.S.	01R6910	*
Finnish	01R6919	*
French	01R6914	*
German	01R6915	*
Greek	01R6927	*
Hebrew	01R6924	*
Hungarian	01R6928	*
Italian	01R6918	*
Japanese	01R6878	*
Norwegian	01R6921	*
Polish	01R6925	*
Portuguese	01R6912	*
Russian	01R6929	*
Spanish	01R6916	*
Swedish	01R6917	*
Turkish	01R6926	*

## For Windows XP Home Edition

Windows XP Home Edition is preinstalled as the operating system in some models.

Language	P/N	CRUID
Arabic	01R6962	*
Chinese, Simplified	01R6872	*
Chinese, Traditional	01R6871	*
Chinese, Traditional (Hong Kong S.A.R.)	01R6873	*
Czech	01R6963	*
Danish	01R6953	*
Dutch	01R6960	*
English, U.K.	01R6951	*
English, U.S.	01R6950	*
Finnish	01R6959	*
French	01R6954	*
German	01R6955	*
Greek	01R6967	*
Hebrew	01R6964	*
Hungarian	01R6968	*
Italian	01R6958	*
Norwegian	01R6961	*
Polish	01R6965	*
Portuguese	01R6952	*
Russian	01R6969	*
Spanish	01R6956	*
Swedish	01R6957	*
Turkish	01R6966	*

**For Windows XP professional**

Windows XP Professional is preinstalled as the operating system in some models.

Language	P/N	CRUID
Arabic	01R7022	*
Chinese, Simplified	01R6875	*
Chinese, Traditional	01R6874	*
Chinese, Traditional (Hong Kong S.A.R.)	01R6876	*
Czech	01R7023	*
Danish	01R7013	*
Dutch	01R7020	*
English, U.K.	01R7011	*
English, U.S.	01R7010	*
Finnish	01R7019	*
French	01R7014	*
German	01R7015	*
Greek	01R7027	*
Hebrew	01R7024	*
Hungarian	01R7028	*
Italian	01R7018	*
Japanese	01R6877	*
Norwegian	01R7021	*
Polish	01R7025	*
Portuguese	01R7012	*
Russian	01R7029	*
Spanish	01R7016	*
Swedish	01R7017	*
Turkish	01R7026	*

**Miscellaneous parts****For machine type 2681, 2682, 2683, 2722, 2723, 2724**

FRU	P/N	CRU ID
Screw kit: <ul style="list-style-type: none"> <li>• M2.0 x 3.5 mm, Silver #1 (20)</li> <li>• M2.0 x 4.5 mm, 0.6T Yellow #0 (5)</li> <li>• M2.5 x 5 mm, Black #1 (10)</li> <li>• M2.5 x 6 mm, Silver #1 (15)</li> <li>• M2.5 x 8.5 mm, Black #1 (15)</li> <li>• M2.0 x 13 mm, Silver #1 (10)</li> <li>• HDD M3x 3.5 mm, Black #1 (5)</li> <li>• Hexa screw (5)</li> <li>• Packing (1)</li> </ul>	46P3125	N
Display Misc parts kit: <ul style="list-style-type: none"> <li>• Knob, Display left for all (1)</li> <li>• Knob, Display right for all (1)</li> <li>• Spring latch display for all (2)</li> <li>• Sheet, Decoration front/rear for all (6)</li> <li>• Packing (1)</li> </ul>	46P3119	N
LCD Window Plate kit:	91P8634	N
LCD Rubber kit:	46P3126	N
Base cover Misc parts kit: <ul style="list-style-type: none"> <li>• Holder, Knob battery (1)</li> <li>• Knob, Battery latch (1)</li> <li>• Spring batt latch (1)</li> <li>• Foot, rubber rear (2)</li> <li>• Foot, rubber front (1)</li> <li>• Knob, C/S bay (1)</li> <li>• Lever, C/S bay (1)</li> <li>• Plate, C/S eject bay (1)</li> <li>• Spring, Knob C/S bay (1)</li> <li>• Spring, Lever C/S bay (1)</li> <li>• Door, Card BUS (1)</li> <li>• Spring C/BUS door (1)</li> <li>• Lens, C/S bay status (1)</li> <li>• Lens, Irda (1)</li> <li>• Spring, Door docking (1)</li> <li>• Door, Docking shutter upper (1)</li> <li>• Door, Docking shutter down (1)</li> <li>• Sheet, Deco bottom (1)</li> <li>• Sheet, Cushion C/S bay (1)</li> <li>• Sheet, Magnetic Shield (1)</li> <li>• Packing (1)</li> </ul>	46P3121	N

(continued)



FRU	P/N	CRU ID
System miscellaneous parts kit: <ul style="list-style-type: none"> <li>• (a) Plate, CDC (1)</li> <li>• (b) Cable, Modem (1)</li> <li>• (c) Plate, Thermal Brookdale (1)</li> <li>• (d) Plate, Thermal Video Chip (1)</li> <li>• Pad, Thermal for Brookdale (1)</li> <li>• Pad, Thermal for Video Chip (1)</li> <li>• Plate, Reinforce HDD (1)</li> <li>• Label, Caution RTC Battery (1)</li> <li>• Screw, M2.0 × 4.5 mm, 0.6T Yellow #0 (4)</li> <li>• Packing (1)</li> </ul> <p><b>Note:</b> Italicized letters in parentheses are references to the exploded view on page 141.</p>	91P8635	N
M/B Misc parts kit: <ul style="list-style-type: none"> <li>• Holder, Guide HDD (1)</li> <li>• Sheet, Insulation under PCMCIA (1)</li> <li>• Plate A'y, C/S Bay top for P4/Banias (1)</li> <li>• Sheet, Docking connector (1)</li> <li>• Cushion, Under Holder HDD (1)</li> <li>• Hexa screw (4)</li> <li>• Screw, M2.0 × 3.5 mm, Silver #1 (1)</li> <li>• Screw, M2.0 × 13 mm, Silver #1 (3)</li> <li>• Sheet, Insulation cap (30 × 13) (1)</li> <li>• Sheet, Insulation cap (40 × 20) (1)</li> <li>• Packing (1)</li> </ul>	46P3120	N

Parts list

**For machine type 2684, 2685**

FRU	P/N	CRU ID
Screw kit: <ul style="list-style-type: none"> <li>• M2.0 × 3.5 mm, Silver #1 (20)</li> <li>• M2.0 × 4.5 mm, 0.6T Yellow #0 (5)</li> <li>• M2.5 × 5 mm, Black #1 (10)</li> <li>• M2.5 × 6 mm, Silver #1 (15)</li> <li>• M2.5 × 8.5 mm, Black #1 (15)</li> <li>• M2.0 × 13 mm, Silver #1 (10)</li> <li>• HDD M3× 3.5 mm, Black #1 (5)</li> <li>• Hexa screw (5)</li> <li>• Packing (1)</li> </ul>	46P3125	N
Display Misc parts kit: <ul style="list-style-type: none"> <li>• Knob, Display left for all (1)</li> <li>• Knob, Display right for all (1)</li> <li>• Spring latch display for all (2)</li> <li>• Sheet, Decoration front/rear for all (6)</li> <li>• Packing (1)</li> </ul>	46P3119	N
LCD Window Plate kit:	91P9639	N
Rubber kit:	46P3126	
Base cover Misc parts kit: <ul style="list-style-type: none"> <li>• Holder, Knob battery (1)</li> <li>• Knob, Battery latch (1)</li> <li>• Spring batt latch (1)</li> <li>• Foot, rubber rear (2)</li> <li>• Foot, rubber front (1)</li> <li>• Knob, C/S bay (1)</li> <li>• Lever, C/S bay (1)</li> <li>• Spring, Knob C/S bay (1)</li> <li>• Spring, Lever C/S bay (1)</li> <li>• Door, Card BUS (1)</li> <li>• Spring C/BUS door (1)</li> <li>• Sheet, Deco bottom (1)</li> <li>• Sheet, Cushion C/S bay (1)</li> <li>• Sheet, Magnetic Shield (1)</li> <li>• Packing (1)</li> </ul>	91P9641	N

(continued)

FRU	P/N	CRU ID
System miscellaneous parts kit: <ul style="list-style-type: none"> <li>• (a) Plate, CDC (1)</li> <li>• (b) Cable, Modem (1)</li> <li>• (c) Plate, Thermal Brookdale (1)</li> <li>• (d) Plate, Thermal Video Chip (1)</li> <li>• Pad, Thermal for Brookdale (1)</li> <li>• Pad, Thermal for Video Chip (1)</li> <li>• Plate, Reinforce HDD (1)</li> <li>• Label, Caution RTC Battery (1)</li> <li>• Screw, M2.0 × 4.5 mm, 0.6T Yellow #0 (4)</li> <li>• Packing (1)</li> </ul> <p><b>Note:</b> Italicized letters in parentheses are references to the exploded view on page 141.</p>	91P8635	N
M/B Misc parts kit: <ul style="list-style-type: none"> <li>• Holder, Guide HDD (1)</li> <li>• Sheet, Insulation under PCMCIA (1)</li> <li>• Cushion, Under Holder HDD (1)</li> <li>• Hexa screw (4)</li> <li>• Screw, M2.0 × 3.5 mm, Silver #1 (1)</li> <li>• Screw, M2.0 × 13 mm, Silver #1 (3)</li> <li>• Sheet, Insulation cap (30 × 13) (1)</li> <li>• Sheet, Insulation cap (40 × 20) (1)</li> <li>• Packing (1)</li> </ul>	96P9640	N

## AC adapters

FRU	P/N	CRUID
AC ADAPTER 72W 2-pins ASTEC	02K6753	*
AC ADAPTER 72W 2-pins Delta	02K6756	*
AC ADAPTER 72W 3-pins ASTEC	02K6751	*
AC ADAPTER 72W 3-pins Delta	02K6754	*

**Telephone cable**

FRU	P/N	CRU ID
Telephone cable (Australia)	27L0467	N
Telephone cable (Austria)	27L0449	N
Telephone cable (BE/BK/BS/BD/BF)	27L0451	N
Telephone cable (DK/DE/PO)	27L0447	N
Telephone cable (FI/NO/NS)	27L0446	N
Telephone cable (France)	27L0443	N
Telephone cable (Germany)	27L0441	N
Telephone cable (Italy)	27L0448	N
Telephone cable (ND/NU)	27L0444	N
Telephone cable (SF/SI/SG/SE)	27L0462	N
Telephone cable (Spain)	27L0450	N
Telephone cable (SW/SU)	27L0445	N
Telephone cable (UK/IR/NZ)	27L0442	N
Telephone cable (US/CAN/TWN/APS/LA/BRZL)	27L0465	N

## Optional FRUs

### Ultrabay Plus devices

For machine type 2681, 2682, 2683, 2722, 2723, 2724

FRU	P/N	CRU ID
Diskette drive (TEAC)	08K9606	*
Diskette drive (SONY)	08K9607	*
SuperDisk drive, LS-240 (MKE)	08K9615	*
2nd HDD adapter	08K6067	*
Ultrabay Plus battery, Li-Ion (SANYO)	02K6817	*
Ultrabay Plus battery, Li-Ion (SANYO)	02K6818	*
Ultrabay Plus device carrier	26P9388	*
Ultrabay Plus numeric keypad	19K2056	*
Ultrabay Plus cradle for WorkPad c500 series	26P9389	*

### Other optional FRUs

For machine type 2681, 2682, 2683, 2722, 2723, 2724

FRU	P/N	CRU ID
ThinkPad Mini Dock	67P9011	*
ThinkPad Port Replicator	08N1536	N
ThinkPad Port Replicator II	74P6735	*
AC adapter (2 pin, 120 W), DELTA for ThinkPad Mini Dock	02K7086	*
AC adapter (2 pin, 120 W), LITEON for ThinkPad Mini Dock	02K7092	*
AC adapter (3 pin, 120 W), LITEON for ThinkPad Mini Dock	02K7094	*
AC adapter (3 pin, 120 W), LITEON for ThinkPad Mini Dock	02K7096	*
Main battery, Li-Ion Option W/W	02K7052	*
Main battery, Li-Ion Sanyo W/W	02K7055	*
Main battery, Li-Ion Panasonic W/W	02K7057	*
Main battery, Li-Ion Option Japan	02K7053	*
Main battery, Li-Ion Sanyo Japan	02K7059	*
Main battery, Li-Ion Panasonic Japan	02K7061	*

For machine type 2684, 2685

FRU	P/N	CRU ID
Main battery Li-Ion (6cell) Option	08K8218	*

*Parts list*

<b>FRU</b>	<b>P/N</b>	<b>CRU ID</b>
Main battery Li-Ion (6cell) Sanyo	92P0988	*
Main battery Li-Ion (6cell) Panasonic	92P0990	*

## Common parts list

### Tools

Triconnector wrap plug	72X8546
PC test card	35G4703
Audio wrap cable	66G5180
USB parallel test cable	05K2580
Screwdriver kit	95F3598
Torque screwdriver	05K4695
5 mm socket wrench	05K4694
Screwdriver	27L8126
ThinkPad hardware maintenance diskette version 1.62 <b>Note:</b> Download the file from the following Web site: <a href="http://www.ibm.com/pc/partner/infotips">http://www.ibm.com/pc/partner/infotips</a>	—

### Power cords (system)

IBM power cords for a specific country or region are usually available only in that country or region:

#### *For 2-pin power cords:*

Region	P/N	CRU ID
Canada, U.S.	13H5264	*
Japan	13H5273	*
Argentina	36L8870	*

#### *For 3-pin power cords:*

Region	P/N	CRU ID
Australia, New Zealand	76H3514	*
U.S., Canada, Thailand	76H3516	*
Italy	76H3530	*
Denmark	76H3520	*
U.K., China (Hong Kong S.A.R.)	76H3524	*
European countries	76H3518	*
India, South Africa	76H3522	*
Israel	76H3532	*
Korea	76H3535	*
China (P.R.C.) (other than Hong Kong S.A.R.)	02K0539	*
Switzerland	76H3528	*

*Parts list*

## **Power cords (ThinkPad Mini Dock)**

IBM power cords for a specific country or region are usually available only in that country or region:

***For 2-pin power cords:***

<b>Region</b>	<b>P/N</b>	<b>CRU ID</b>
Canada, U.S.	13H5264	*
Japan	13H5273	*
Argentina	36L8870	*
Brazil	46P2095	*

***For 3-pin power cords:***

<b>Region</b>	<b>P/N</b>	<b>CRU ID</b>
Australia, New Zealand	76H3514	*
Taiwan, Thailand	76H3516	*
Italy	76H3530	*
Denmark	76H3520	*
U.K., China (Hong Kong S.A.R.)	76H3524	*
European countries	76H3518	*
India, South Africa	76H3522	*
Israel	76H3532	*
Korea	76H3535	*
China (P.R.C.) (other than Hong Kong S.A.R)	02K0539	*
Switzerland	76H3528	*



---

## Notices

References in this publication to IBM products, programs, or services do not imply that IBM intends to make these available in all countries in which IBM operates. Any reference to an IBM product, program, or service is not intended to state or imply that only that IBM product, program, or service may be used. Any functionally equivalent product, program, or service that does not infringe any of the intellectual property rights of IBM may be used instead of the IBM product, program, or service. The evaluation and verification of operation in conjunction with other products, except those expressly designated by IBM, are the responsibility of the user.

IBM may have patents or pending patent applications covering subject matter in this document. The furnishing of this document does not give you any license to these patents. You can send license inquiries, in writing, to the IBM Director of Licensing, IBM Corporation, 500 Columbus Avenue, Thornwood, NY 10594, U.S.A.

## Trademarks

The following terms are trademarks of the IBM Corporation in the United States or other countries or both:

- Asset ID
- IBM
- OS/2
- ThinkLight
- ThinkPad
- TrackPoint
- Ultrabay
- UltraPort
- UltraNav

Microsoft, Windows, and Windows NT are trademarks of Microsoft Corporation in the United States and/or other countries.

Intel, Pentium, and SpeedStep are trademarks of Intel Corporation in the United States and/or other countries. (For a complete list of Intel trademarks, see the legal information on <http://www.intel.com/>)

Other company, product, or service names may be the trademarks or service marks of others.



Part Number: 92P1332

Printed in U.S.A.

(1P) P/N: 92P1332

